



US00D530690S

(12) **United States Design Patent**
Takahashi

(10) **Patent No.:** **US D530,690 S**
(45) **Date of Patent:** **** Oct. 24, 2006**

(54) **COMBINED DISC RECORDER AND HARD DISC DRIVE**

D497,148 S * 10/2004 Kamata et al. D14/136
D501,193 S 1/2005 Tsuge

(75) Inventor: **Hitoshi Takahashi**, Tokyo (JP)

(73) Assignee: **Sony Corporation**, Tokyo (JP)

(**) Term: **14 Years**

(21) Appl. No.: **29/230,632**

(22) Filed: **May 25, 2005**

(30) **Foreign Application Priority Data**

Feb. 28, 2005 (JP) D2005-005661

(51) **LOC (8) Cl.** **14-01**

(52) **U.S. Cl.** **D14/136; D14/168**

(58) **Field of Classification Search** D14/135-136,
D14/156-157, 160-165, 167-168, 193-198,
D14/188, 445; 360/99.02, 99.07; 369/75.11,
369/75.21, 77.21, 77.11; 720/612, 619, 647,
720/655; 455/344, 347-351

See application file for complete search history.

(56) **References Cited**

U.S. PATENT DOCUMENTS

5,852,594 A * 12/1998 Kaise et al. 720/647
D426,221 S 6/2000 Shindo
D466,876 S * 12/2002 Usami et al. D14/136
D482,014 S 11/2003 Hakoda et al.
D483,728 S * 12/2003 Kim D14/136
D494,150 S * 8/2004 Wu D14/136

OTHER PUBLICATIONS

Web page "HSR-X206" <http://www.ecat.sony.co.jp/business/security/products/index.cfm?PD=18617&KM=HSR-X206> 1 sheet, Sony (Mar. 2005).

Web page "DB32B20481" http://www.boschsecurity.com.mx/productos_cotv/sist_grabacion_digital/db_DB32B20481.php, 1 sheet, BOSCH (Feb. 2005).

* cited by examiner

Primary Examiner—Nanda Bondade

(74) *Attorney, Agent, or Firm*—Rader, Fishman & Grauer PLLC

(57) **CLAIM**

The ornamental design for a combined disc recorder and hard disc drive, as shown.

DESCRIPTION

FIG. 1 is a perspective view of a combined disc recorder and hard disc drive showing my new design; FIG. 2 is a front elevational view thereof; FIG. 3 is a rear elevational view thereof; FIG. 4 is a left side elevational view thereof; FIG. 5 is a right side elevational view thereof; FIG. 6 is a top plan view thereof; and, FIG. 7 is a bottom plan view thereof.

1 Claim, 7 Drawing Sheets

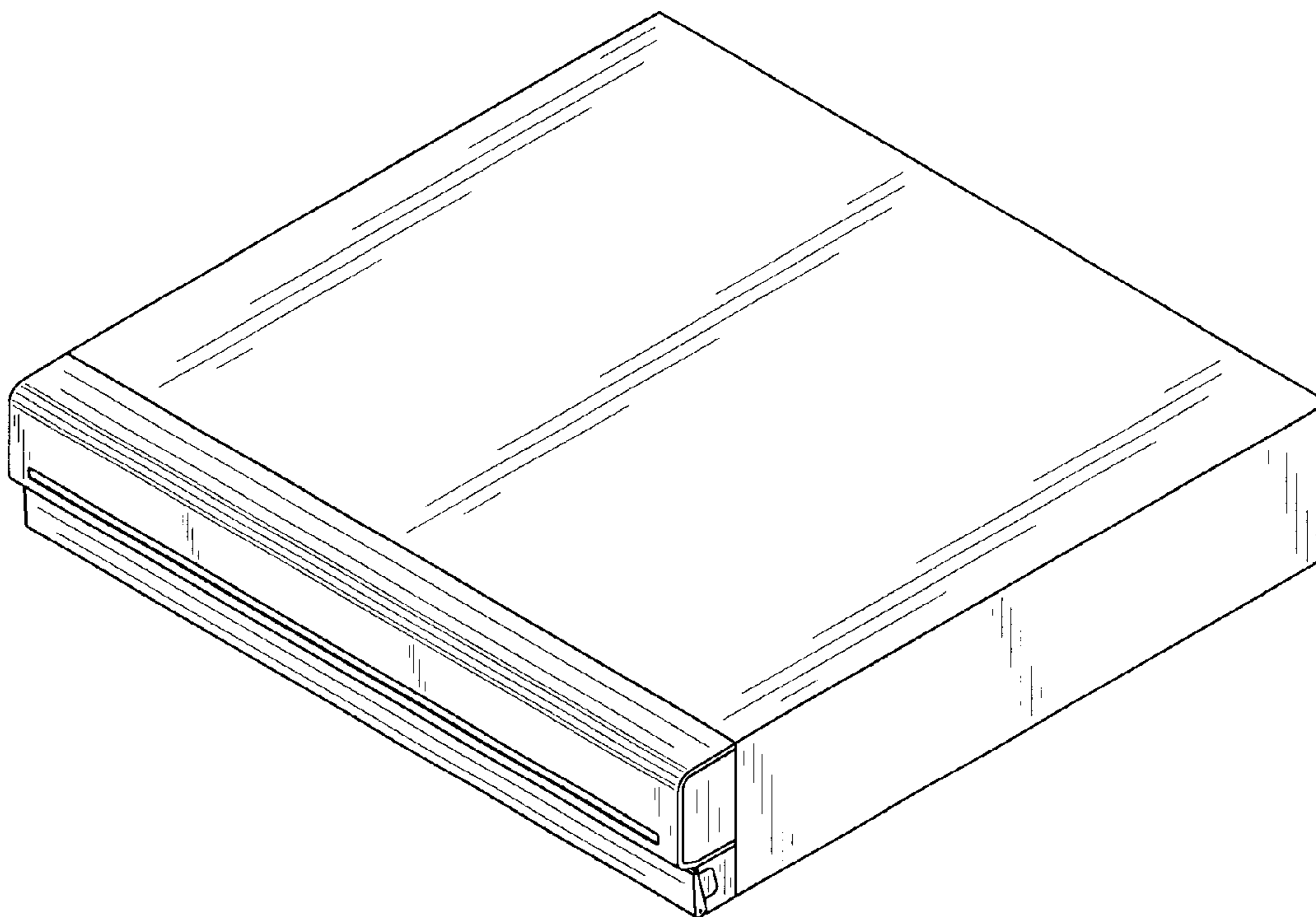


Fig. 1

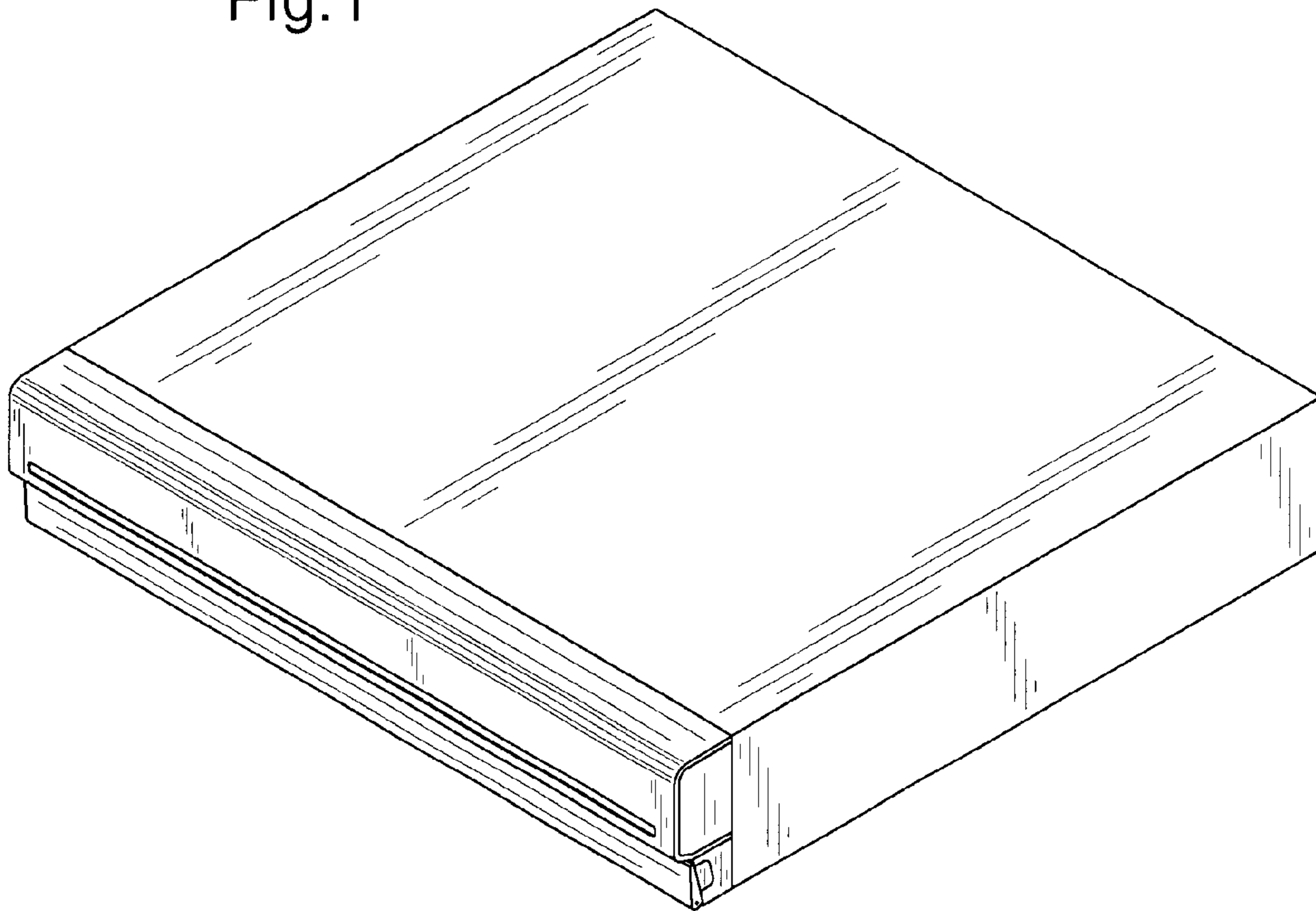


Fig.2

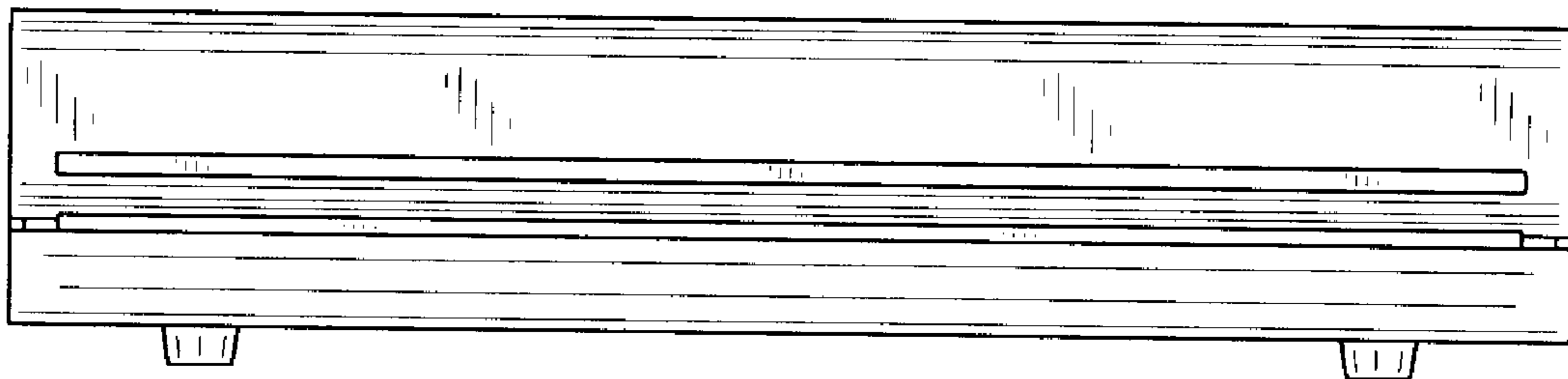


Fig.3

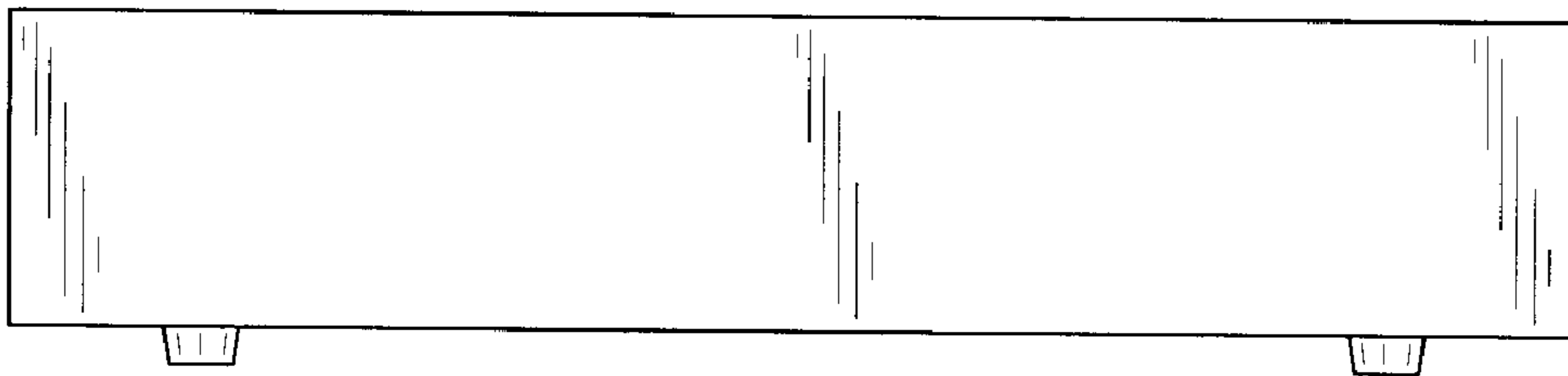


Fig.4

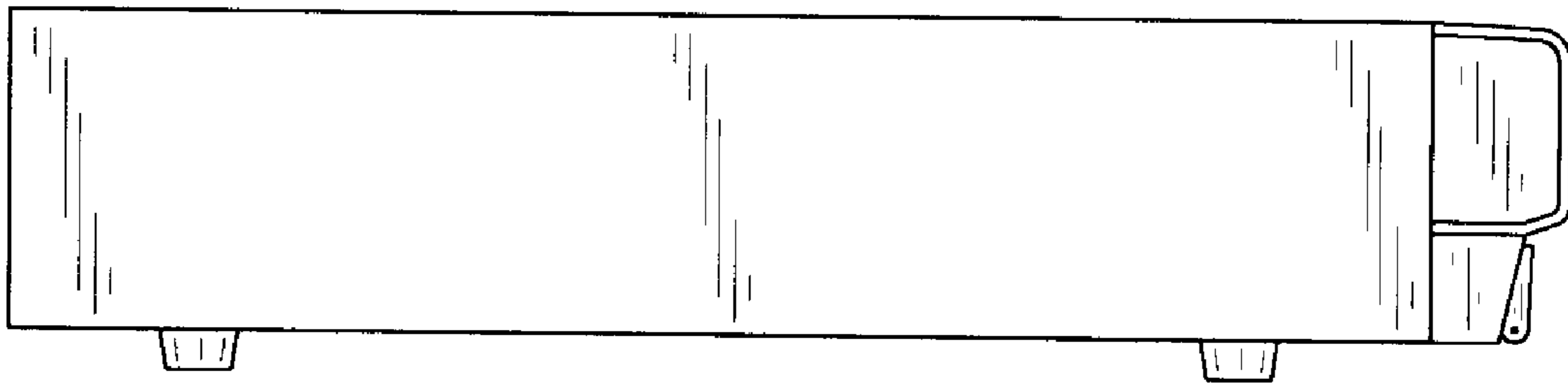


Fig.5

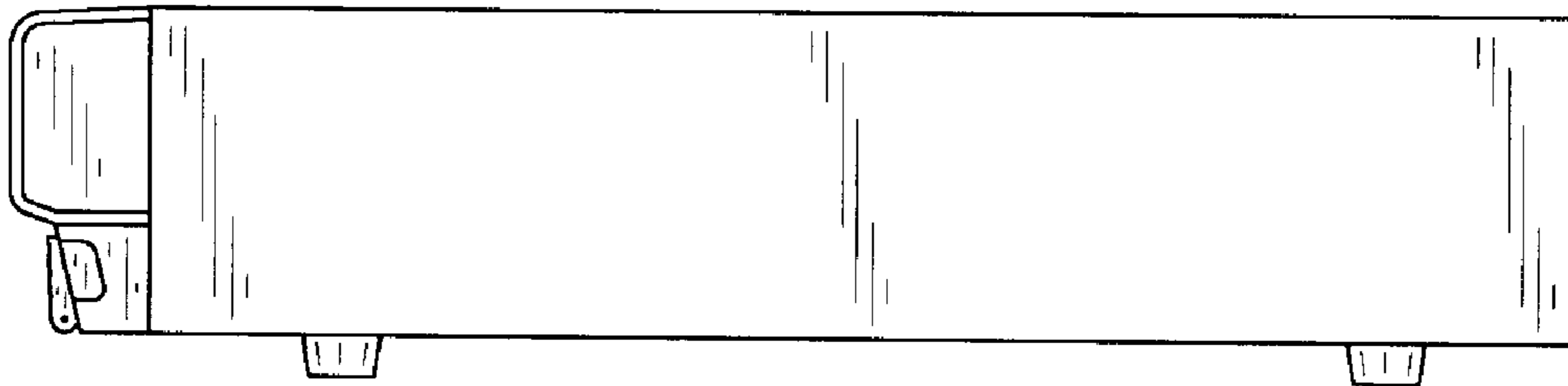


Fig.6

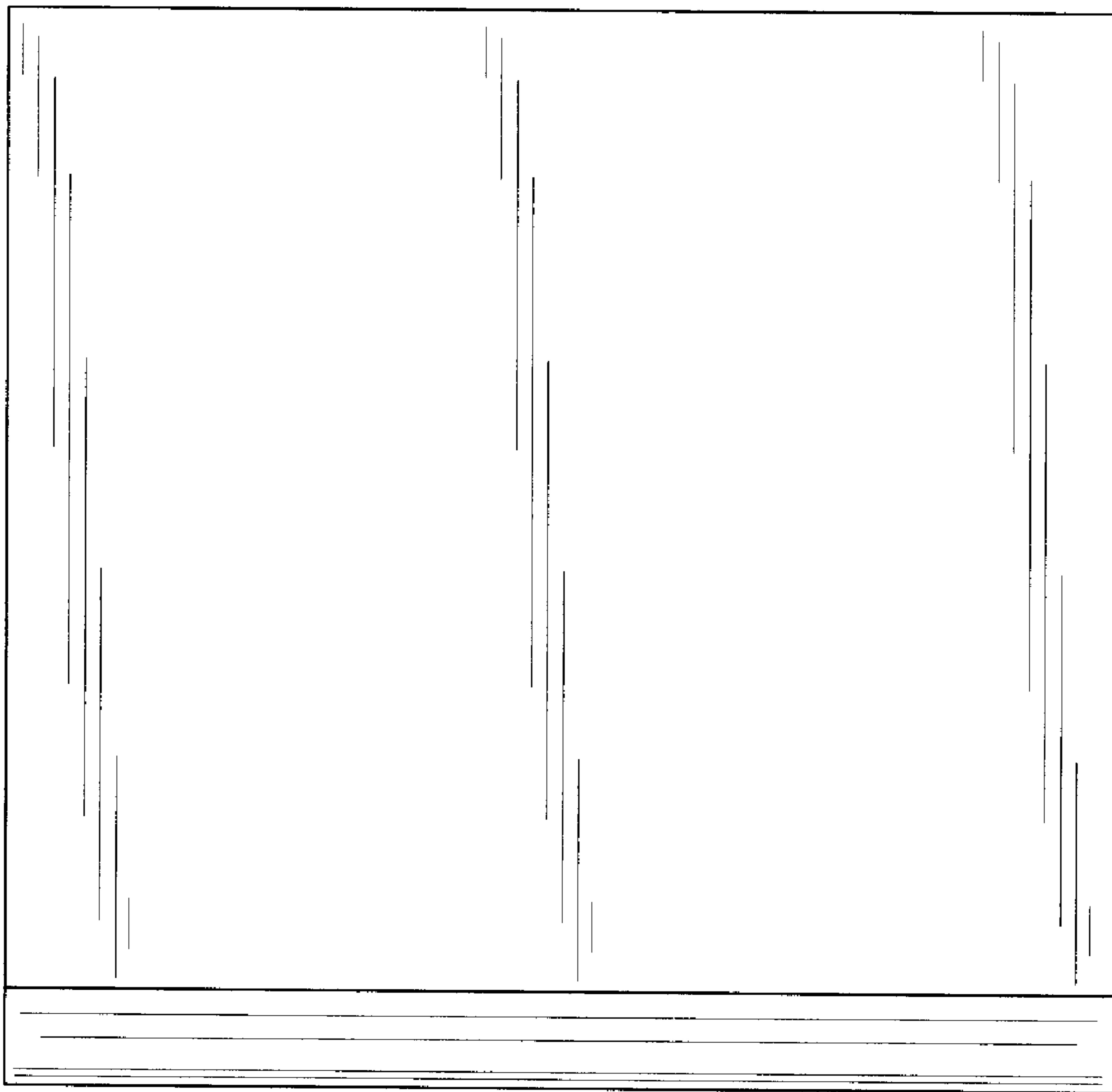


Fig.7

