



US00D530689S

(12) **United States Design Patent**
Ishibashi

(10) **Patent No.:** **US D530,689 S**

(45) **Date of Patent:** **** Oct. 24, 2006**

(54) **DISC PLAYER**

(75) Inventor: **Yasuhiro Ishibashi**, Tokyo (JP)

(73) Assignee: **Sony Corporation**, Tokyo (JP)

(**) Term: **14 Years**

(21) Appl. No.: **29/230,013**

(22) Filed: **May 17, 2005**

(51) **LOC (8) Cl.** **14-01**

(52) **U.S. Cl.** **D14/136**

(58) **Field of Classification Search** D14/135-136,
D14/156-157, 160-165, 167-168, 193-198,
D14/188, 217, 257, 258, 445; 360/99.02,
360/99.07; 369/75.11, 75.21, 77.21, 77.11;
720/612, 619, 647, 655; 455/344, 347-351
See application file for complete search history.

(56) **References Cited**

U.S. PATENT DOCUMENTS

5,859,828	A	*	1/1999	Ishibashi	720/655
D466,876	S	*	12/2002	Usami et al.	D14/136
D479,519	S		9/2003	Hisatsune		
D484,473	S	*	12/2003	Johansson et al.	D14/136
D488,798	S		4/2004	Ishii et al.		
D497,148	S	*	10/2004	Kamata et al.	D14/136

OTHER PUBLICATIONS

Web page “Sony United Kingdom, DAV-SB300”, http://www.sony.co.uk/ShowProduct.do?site=odw_en_GB&category=HCS+Surround+Kit+%26+DVD+Player&product=DAV-SB300, 1 sheet, Sony (Mar. 2005).

Web page “Sony India, DAV-SB200” <http://www.sonyindia.co.in/sonyindia/products/DisplayProduct.jsp?model-Number=DAV-SB200>, 2 sheets, Sony (Mar. 2005).

Web page “Sony United Kingdom, DAV-SB100” http://www.sony.co.uk/ShowProduct.do?site=odw_en_GB&category=HCS+Surround+Kit+%26+DVD+Player&product=DAV-SB100, 1 sheet, Sony (Mar. 2005).

Web page “Sony ProductosDetalles, DAV-BC150” <http://www.sony.com.ec/corporate?page=productosDetalles&top=1925&model=DAV-BC150>, 2 sheets, Sony (Mar. 2005).

Web page “DR-MX1”, <http://www.jvc-victor.co.jp/dvd/dr-mx1/>, 1 sheet, Victor (Mar. 2005).

* cited by examiner

Primary Examiner—Nanda Bondade

(74) *Attorney, Agent, or Firm*—Rader, Fishman & Grauer PLLC

(57) **CLAIM**

The ornamental design for a disc player, as shown.

DESCRIPTION

FIG. 1 is a perspective view of a disc player showing my new design;

FIG. 2 is a front elevational view thereof;

FIG. 3 is a rear elevational view thereof;

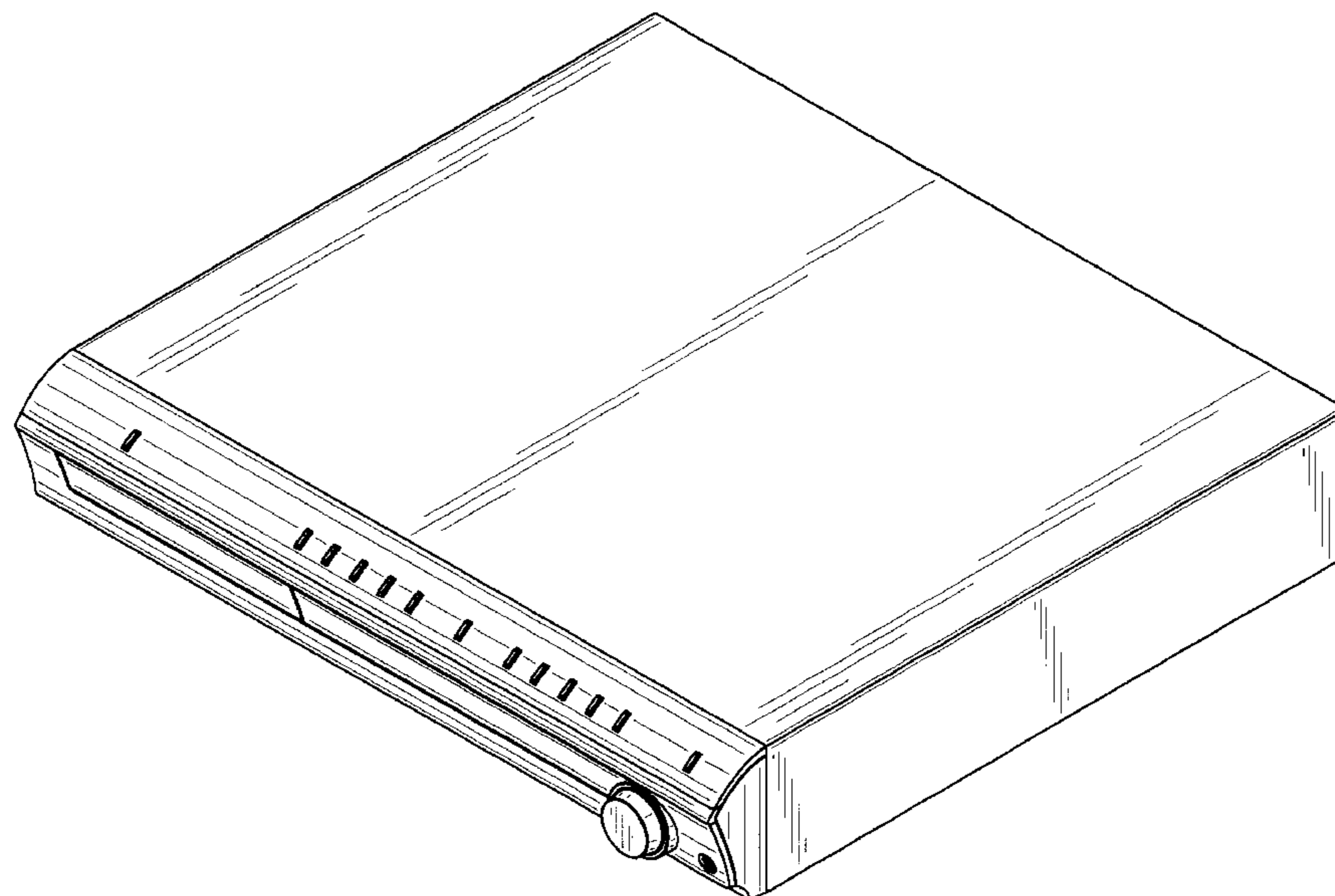
FIG. 4 is a left side elevational view thereof;

FIG. 5 is a right side elevational view thereof;

FIG. 6 is a top plan view thereof; and,

FIG. 7 is a bottom plan view thereof.

1 Claim, 7 Drawing Sheets



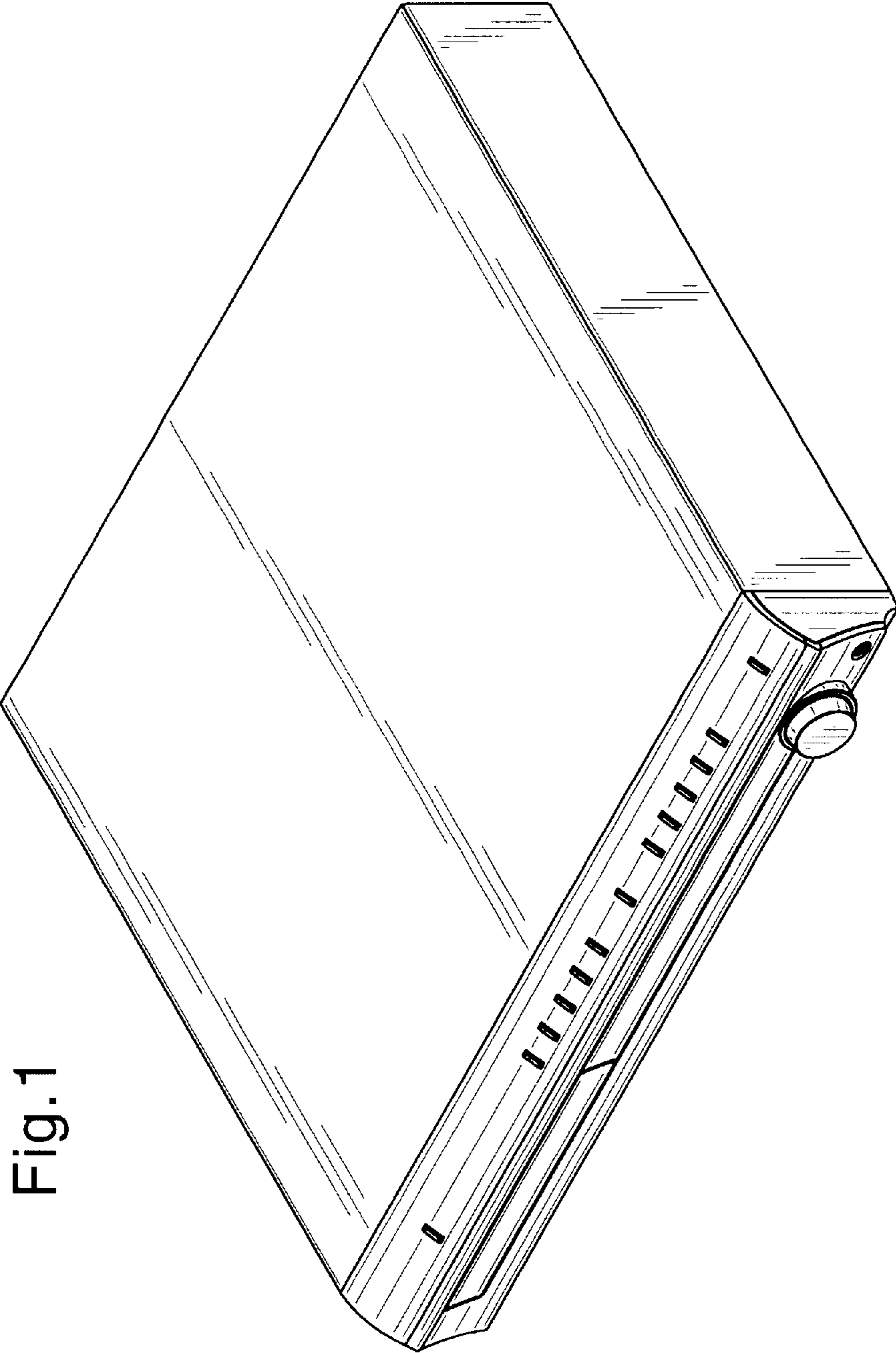


Fig. 1

Fig.2

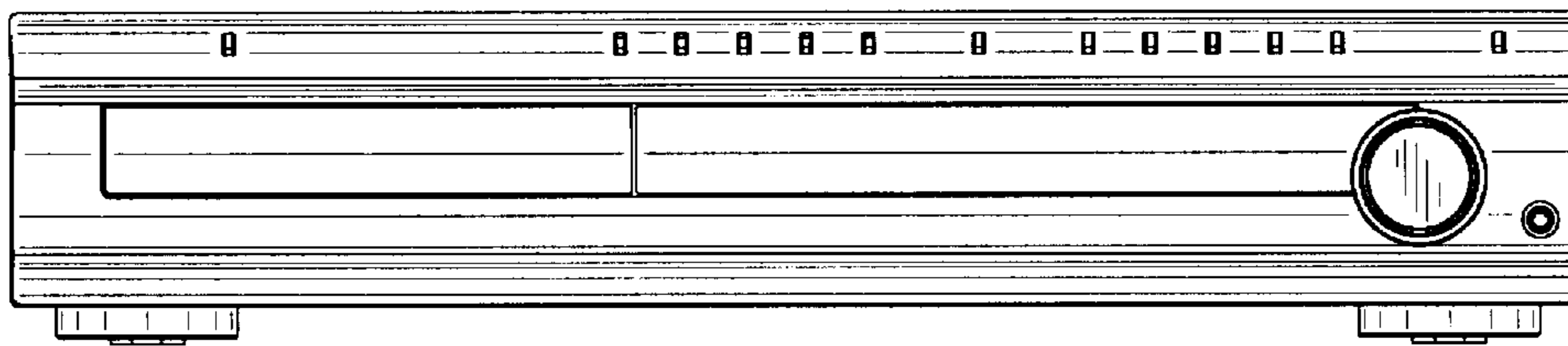


Fig.3

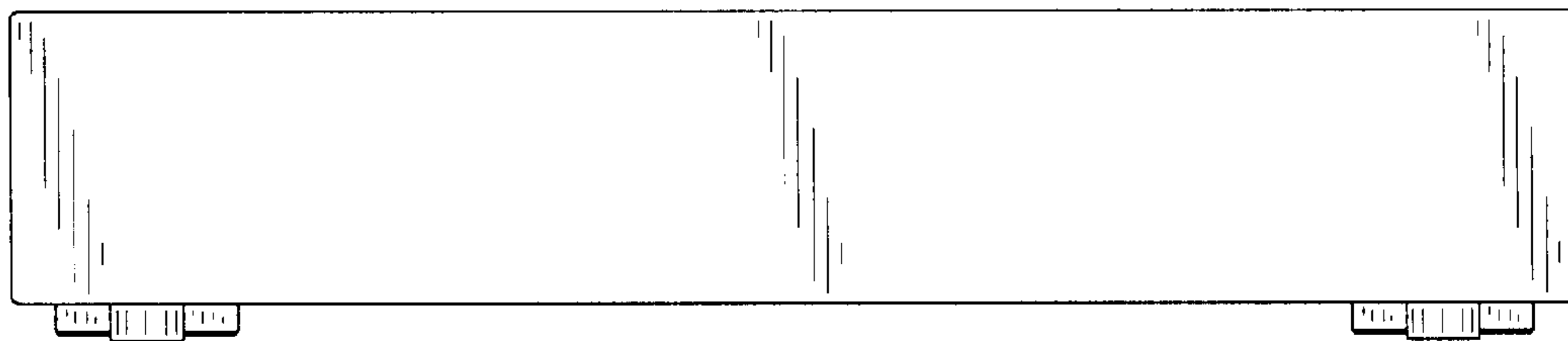


Fig.4

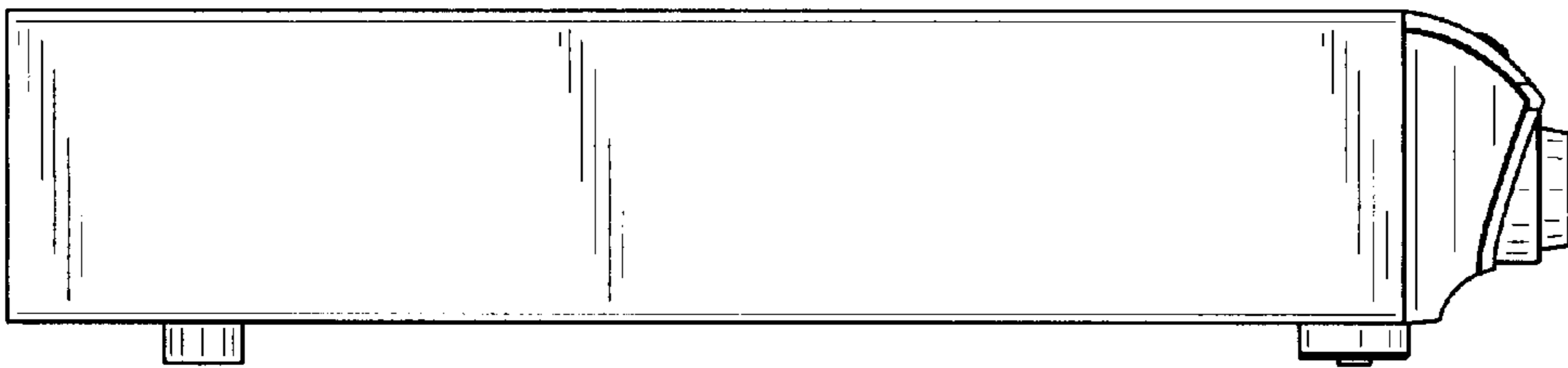


Fig.5

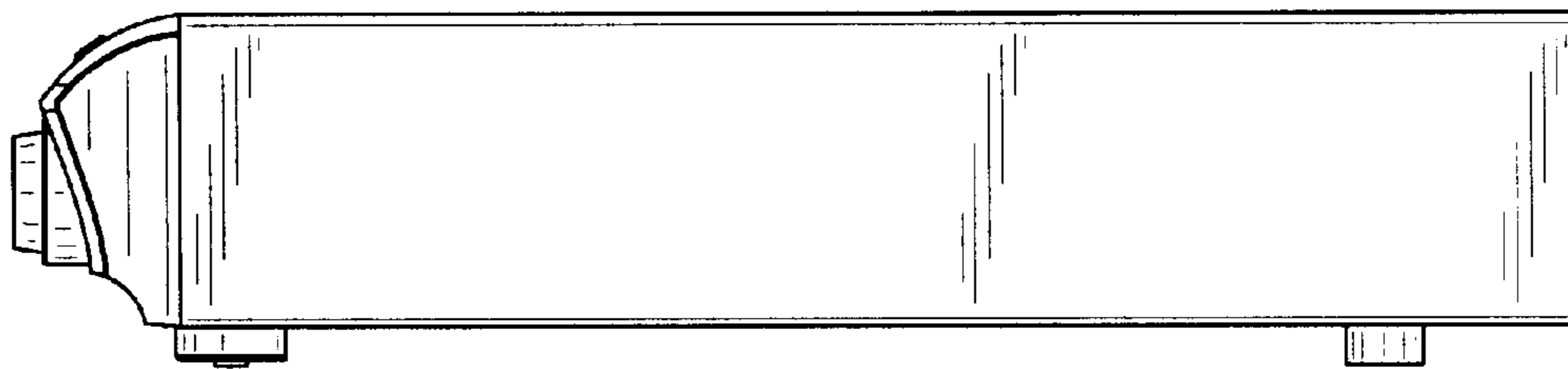


Fig.6

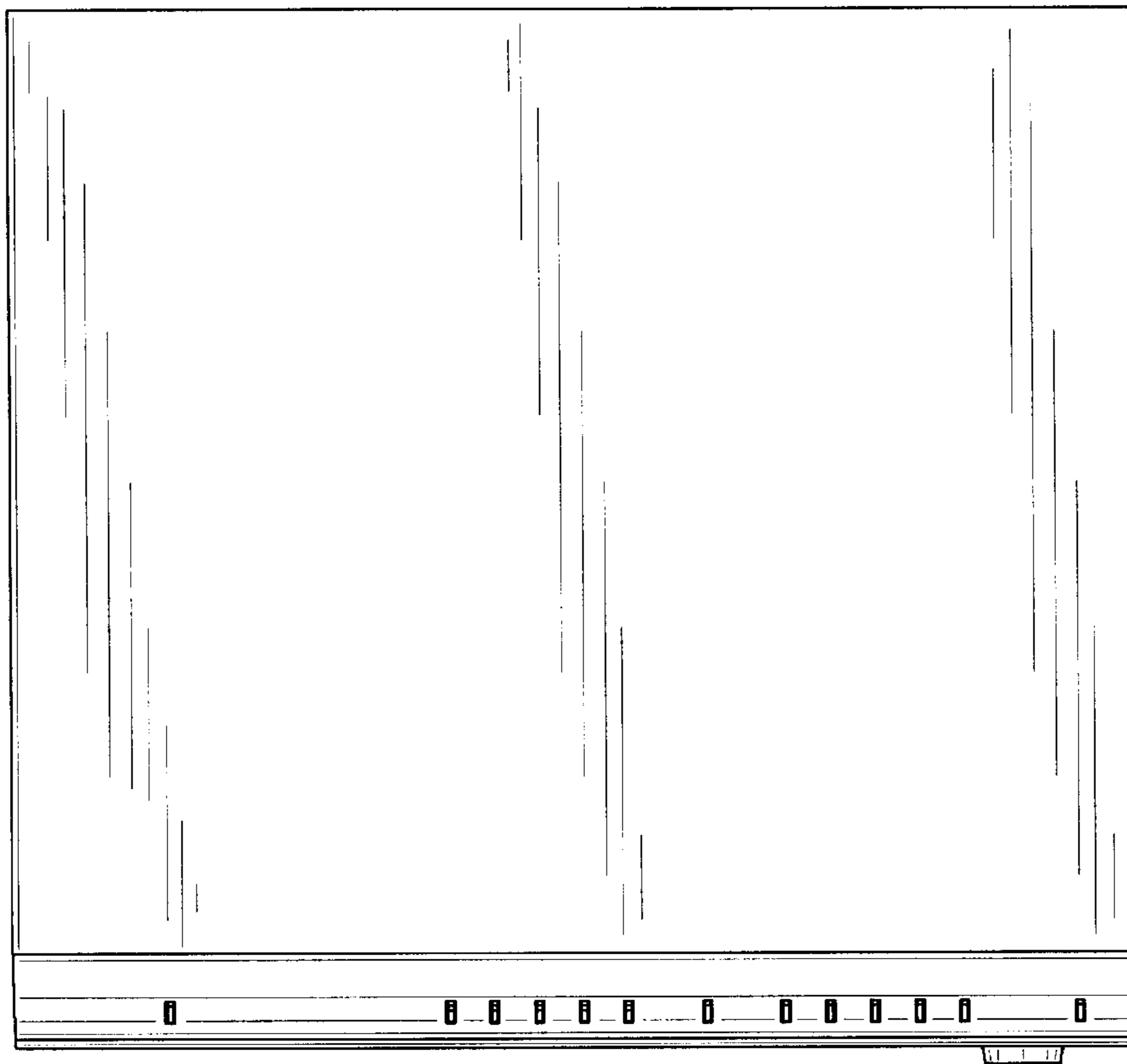


Fig.7

