



US00D530687S

(12) **United States Design Patent**
Wilson

(10) **Patent No.:** **US D530,687 S**

(45) **Date of Patent:** **** Oct. 24, 2006**

(54) **TELEVISION SET**

(75) Inventor: **Susan Wilson**, Bristol (GB)

(73) Assignee: **Hannspree, Inc.**, Taipei (TW)

(**) Term: **14 Years**

(21) Appl. No.: **29/240,359**

(22) Filed: **Oct. 13, 2005**

(30) **Foreign Application Priority Data**

Sep. 5, 2005 (TW) 94305318

(51) **LOC (8) Cl.** **14-03**

(52) **U.S. Cl.** **D14/126**

(58) **Field of Classification Search** D14/125-134,
D14/239, 371, 136, 374-377; 312/7.2; 348/836,
348/838, 180, 184, 325, 739; 341/12; 248/917-924,
248/465; 345/104, 133, 156, 168, 87, 173;
720/605, 669, 600, 655; 369/99, 197; 455/344-347
See application file for complete search history.

(56) **References Cited**

U.S. PATENT DOCUMENTS

4,918,632 A * 4/1990 York 361/680
5,100,098 A * 3/1992 Hawkins 248/291.1

5,109,354 A * 4/1992 Yamashita et al. 361/681
D350,346 S * 9/1994 Takemasa et al. D14/126
D355,170 S * 2/1995 Mizusugi et al. D14/336
D356,081 S * 3/1995 Naito et al. D14/129
D359,306 S * 6/1995 Lande et al. D14/345
D392,259 S * 3/1998 Simmon D14/341
D446,193 S * 8/2001 Lavelle et al. D14/126
D473,559 S * 4/2003 Borsboom et al. D14/375
D478,076 S * 8/2003 Hong D14/345
D496,662 S * 9/2004 Borsboom D14/371

* cited by examiner

Primary Examiner—Raphael Barkai

(74) *Attorney, Agent, or Firm*—Bacon & Thomas

(57) **CLAIM**

The ornamental design for a television set, as shown.

DESCRIPTION

FIG. 1 is a perspective view of a television set showing my new design;

FIG. 2 is a front elevational view thereof;

FIG. 3 is a rear elevational view thereof;

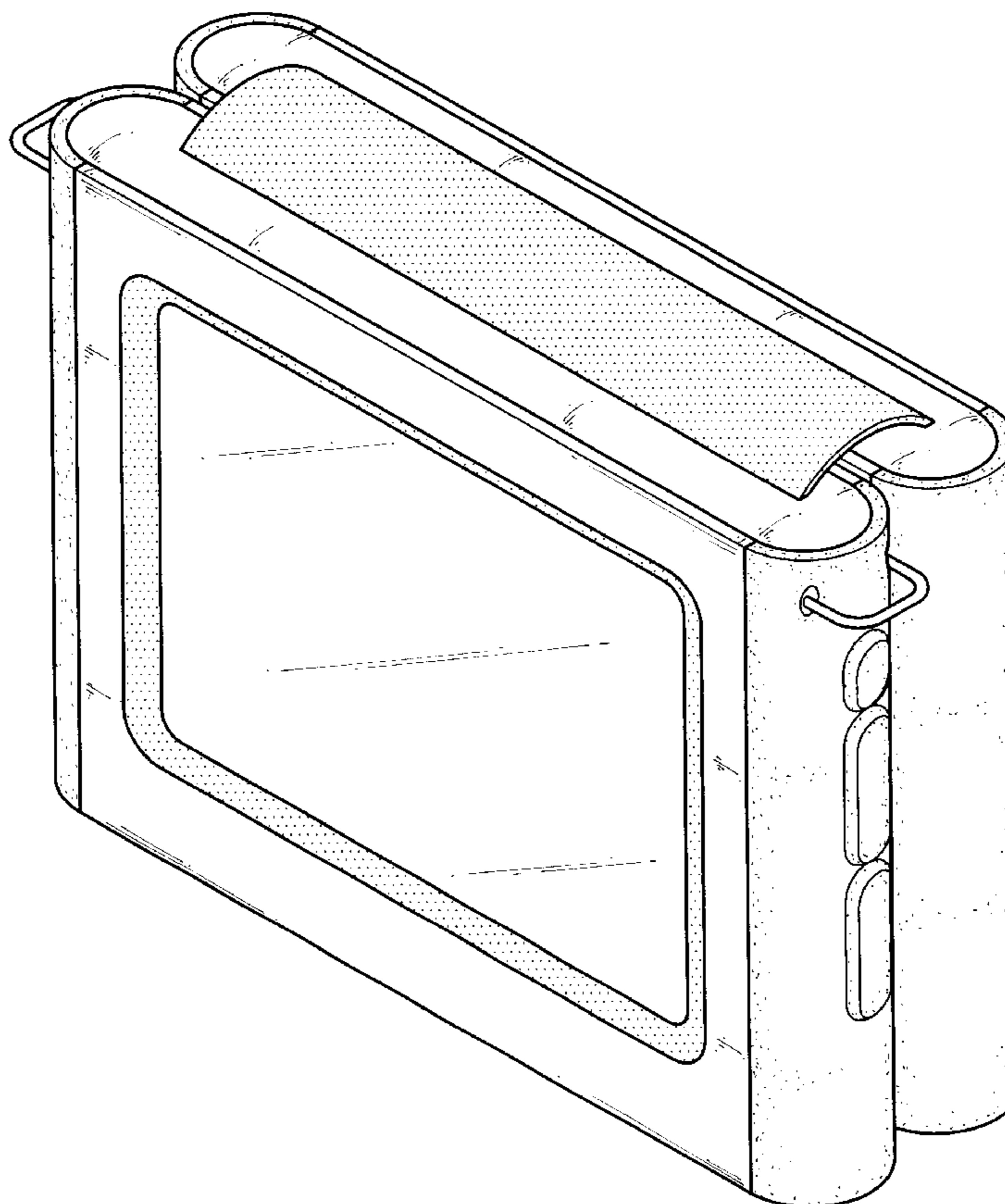
FIG. 4 is a left side elevational view thereof;

FIG. 5 is a right side elevational view thereof;

FIG. 6 is a top plan view thereof; and,

FIG. 7 is a bottom plan view thereof.

1 Claim, 4 Drawing Sheets



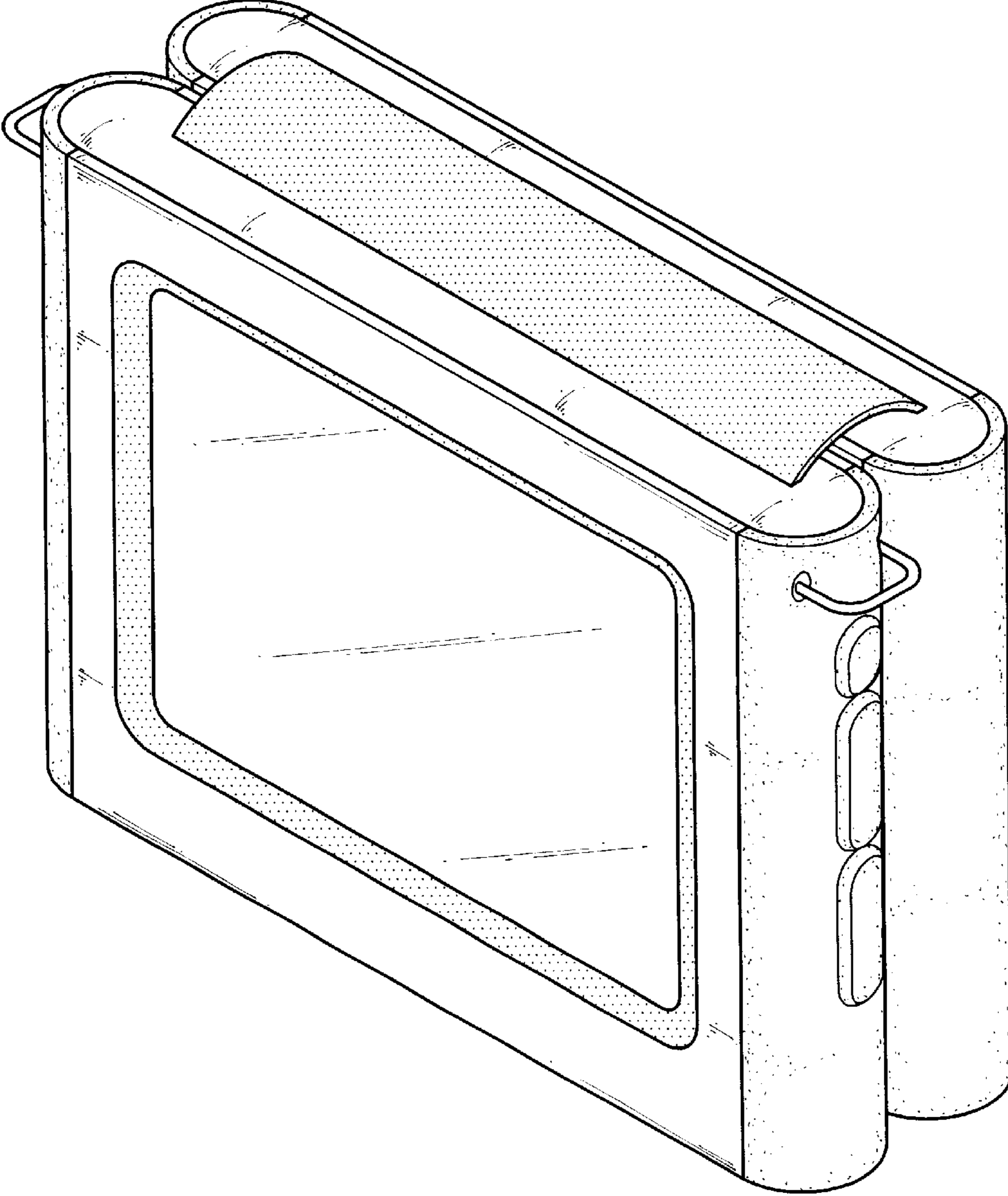


FIG. 1

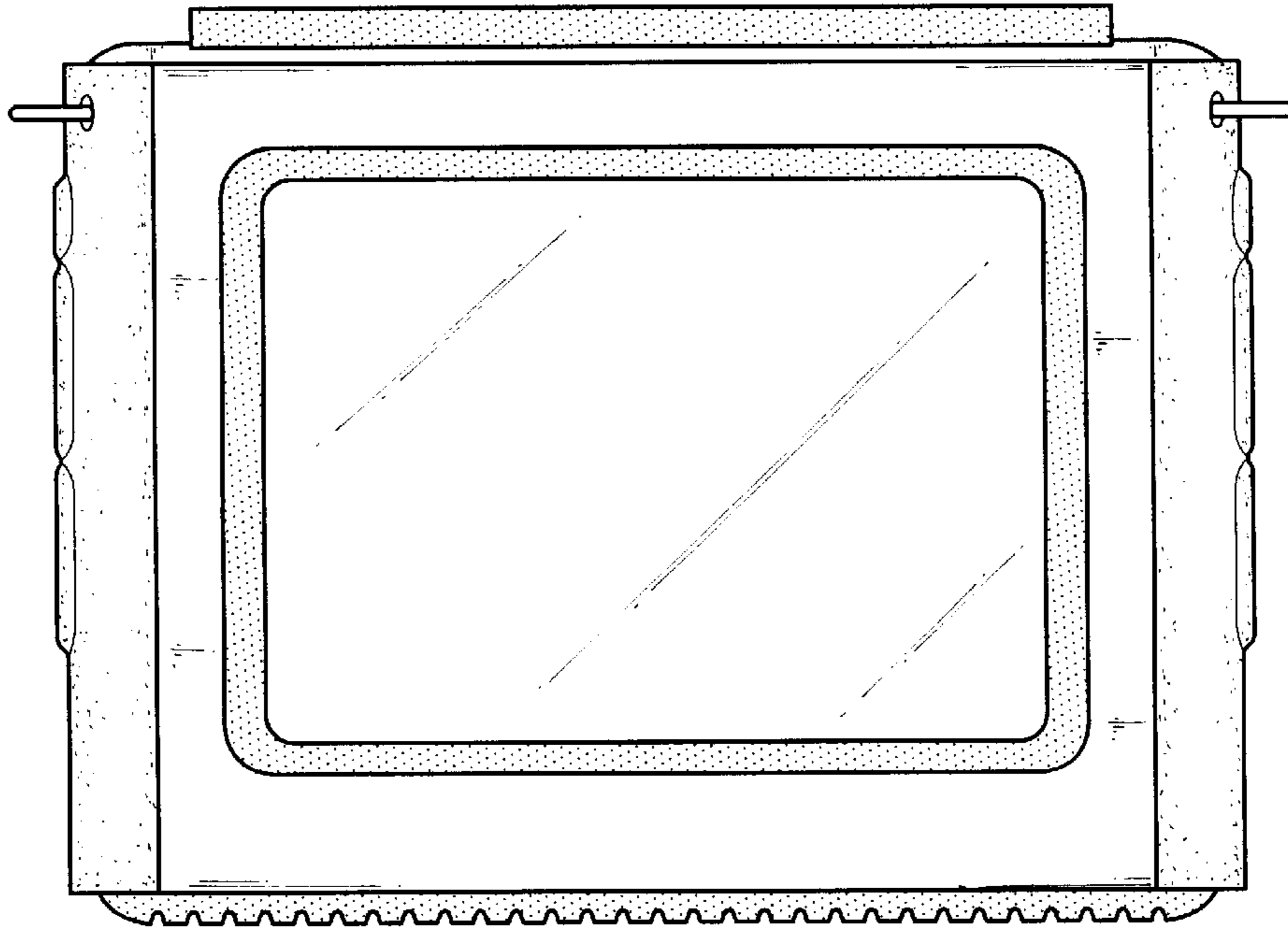


FIG. 2

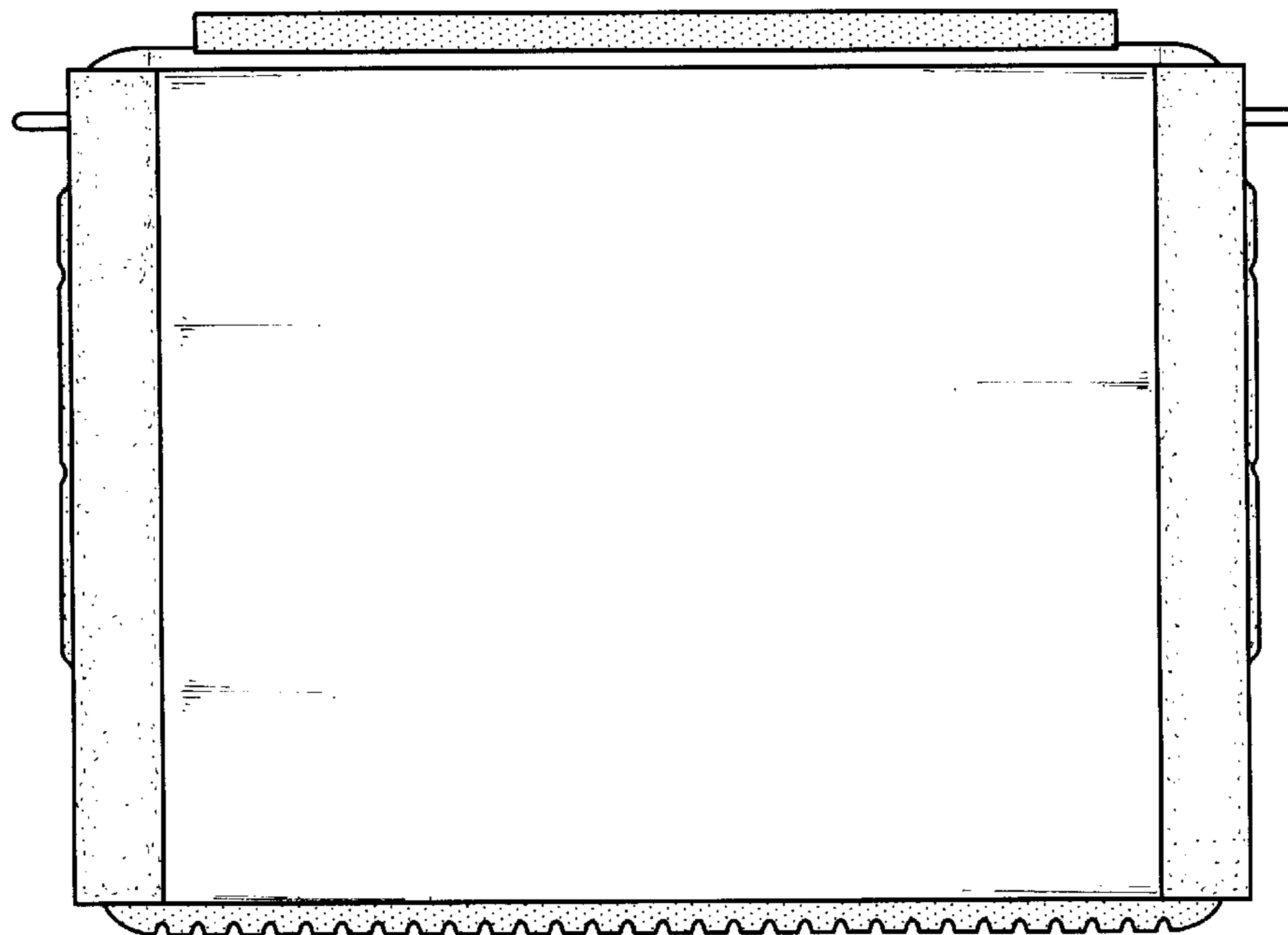


FIG. 3

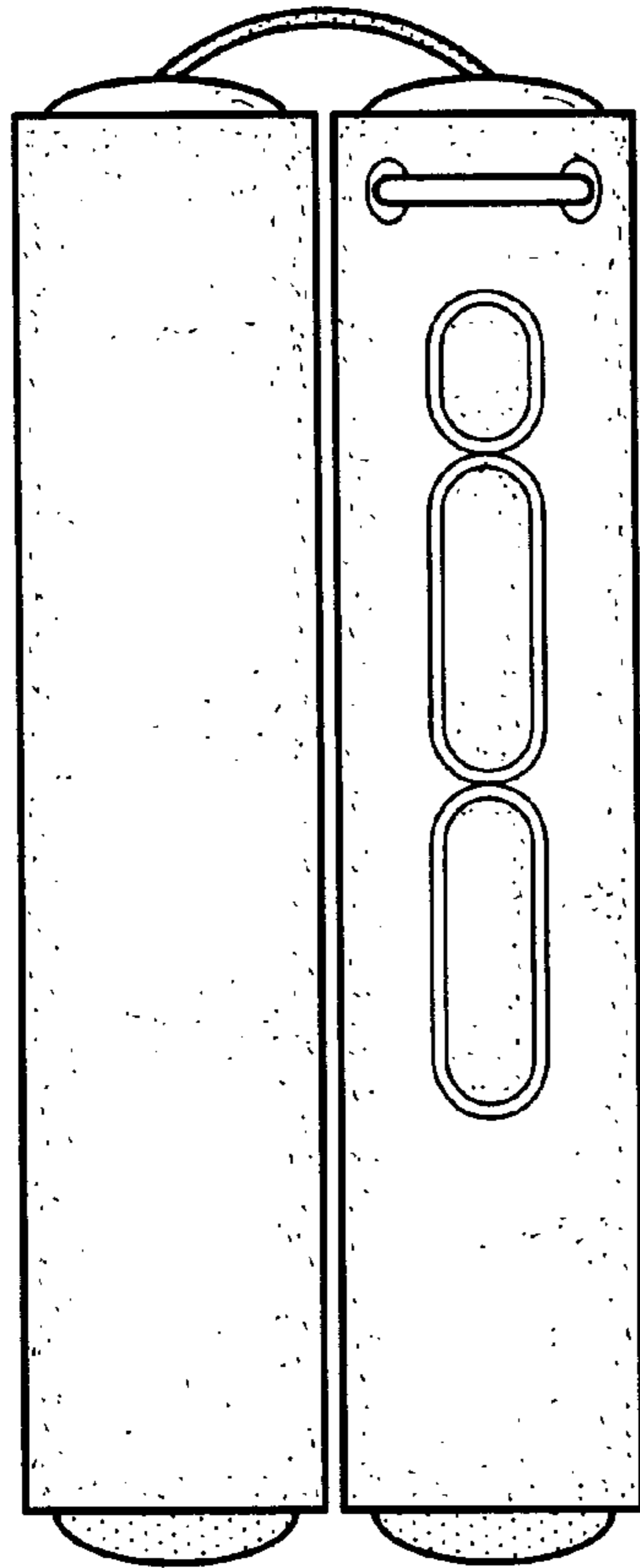


FIG. 4

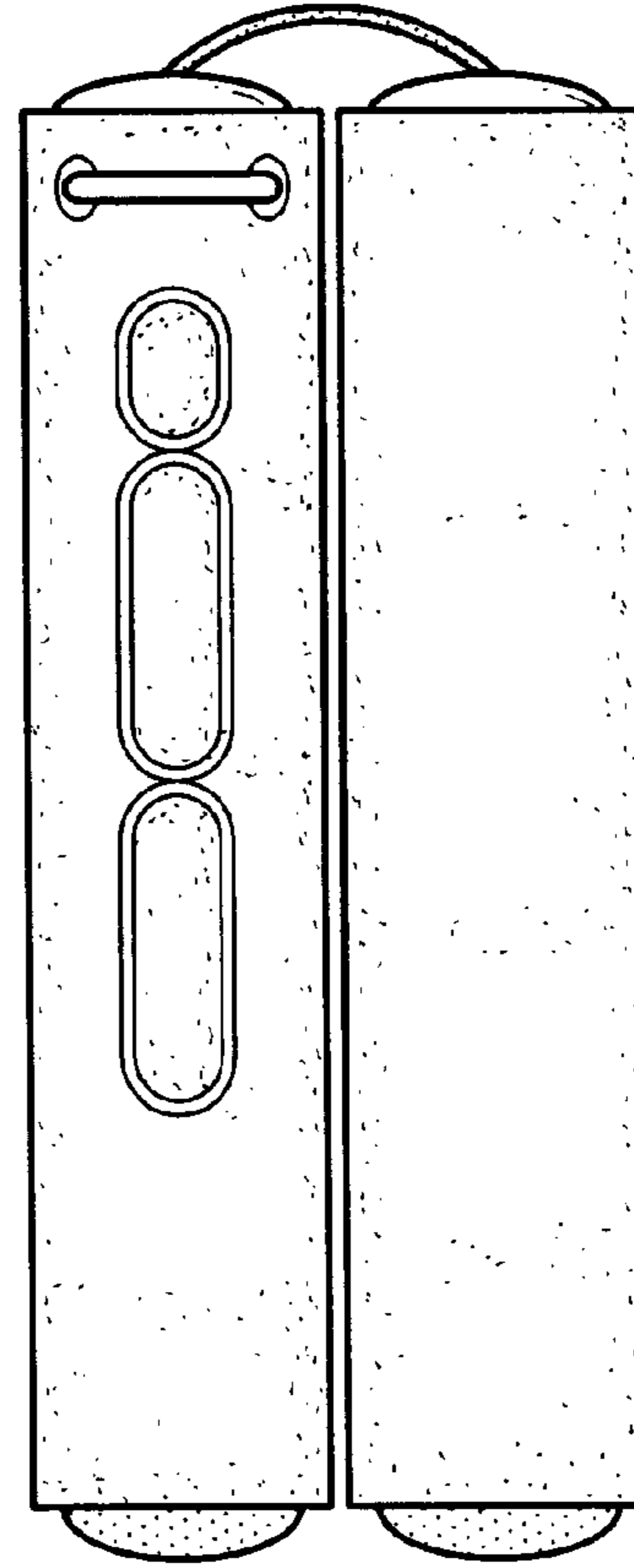


FIG. 5

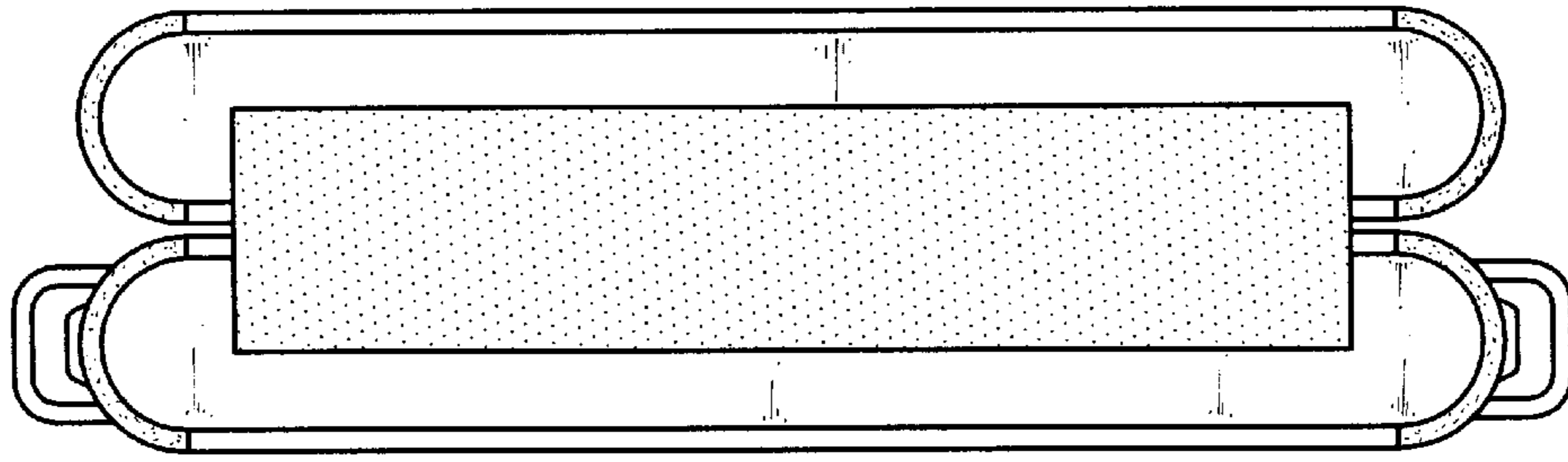


FIG. 6

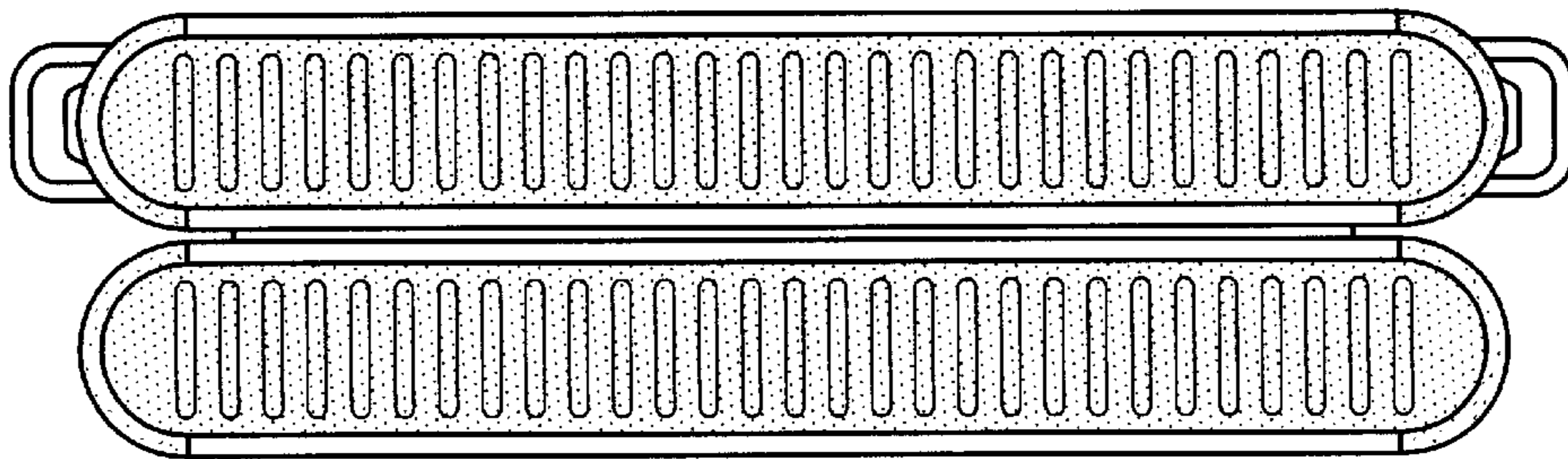


FIG. 7