



US00D530683S

(12) **United States Design Patent**  
**Rivas et al.**

(10) **Patent No.:** **US D530,683 S**

(45) **Date of Patent:** **\*\* Oct. 24, 2006**

(54) **SPHERICAL HEAT SINK**

(76) Inventors: **Nelson Rivas**, 1505 Luddington Rd.,  
East Meadow, NY (US) 11554; **Joseph**  
**Abdale**, 15 Jayme Dr., North Babylon,  
NY (US) 11703

(\*\*) Term: **14 Years**

(21) Appl. No.: **29/244,102**

(22) Filed: **Dec. 5, 2005**

(51) **LOC (8) Cl.** ..... **13-03**

(52) **U.S. Cl.** ..... **D13/179**

(58) **Field of Classification Search** ..... D13/179;  
D23/370; 165/80.3, 104.33, 121, 122, 146,  
165/180, 185; 174/16.3; 257/706, 707, 718-722;  
361/271, 274.3, 695, 697, 700, 702, 704,  
361/709-711

See application file for complete search history.

(56) **References Cited**

**U.S. PATENT DOCUMENTS**

4,340,115 A \* 7/1982 Wright et al. .... 165/122  
4,715,438 A \* 12/1987 Gabuzda et al. .... 165/185  
6,330,908 B1 \* 12/2001 Lee et al. .... 165/185

6,538,888 B1 \* 3/2003 Wei et al. .... 361/697  
D473,529 S \* 4/2003 Feinbloom ..... D13/179  
6,657,862 B1 \* 12/2003 Crocker et al. .... 361/697  
6,657,865 B1 \* 12/2003 Tseng et al. .... 361/709  
6,714,415 B1 \* 3/2004 Shah ..... 361/704  
2002/0008962 A1 \* 1/2002 Hutchison et al. .... 361/704  
2002/0195229 A1 \* 12/2002 Hsieh et al. .... 165/80.3

\* cited by examiner

*Primary Examiner*—Selina Sikder

(74) *Attorney, Agent, or Firm*—Collard Roe, P.C.

(57) **CLAIM**

The ornamental design for a spherical heat sink, as shown and described.

**DESCRIPTION**

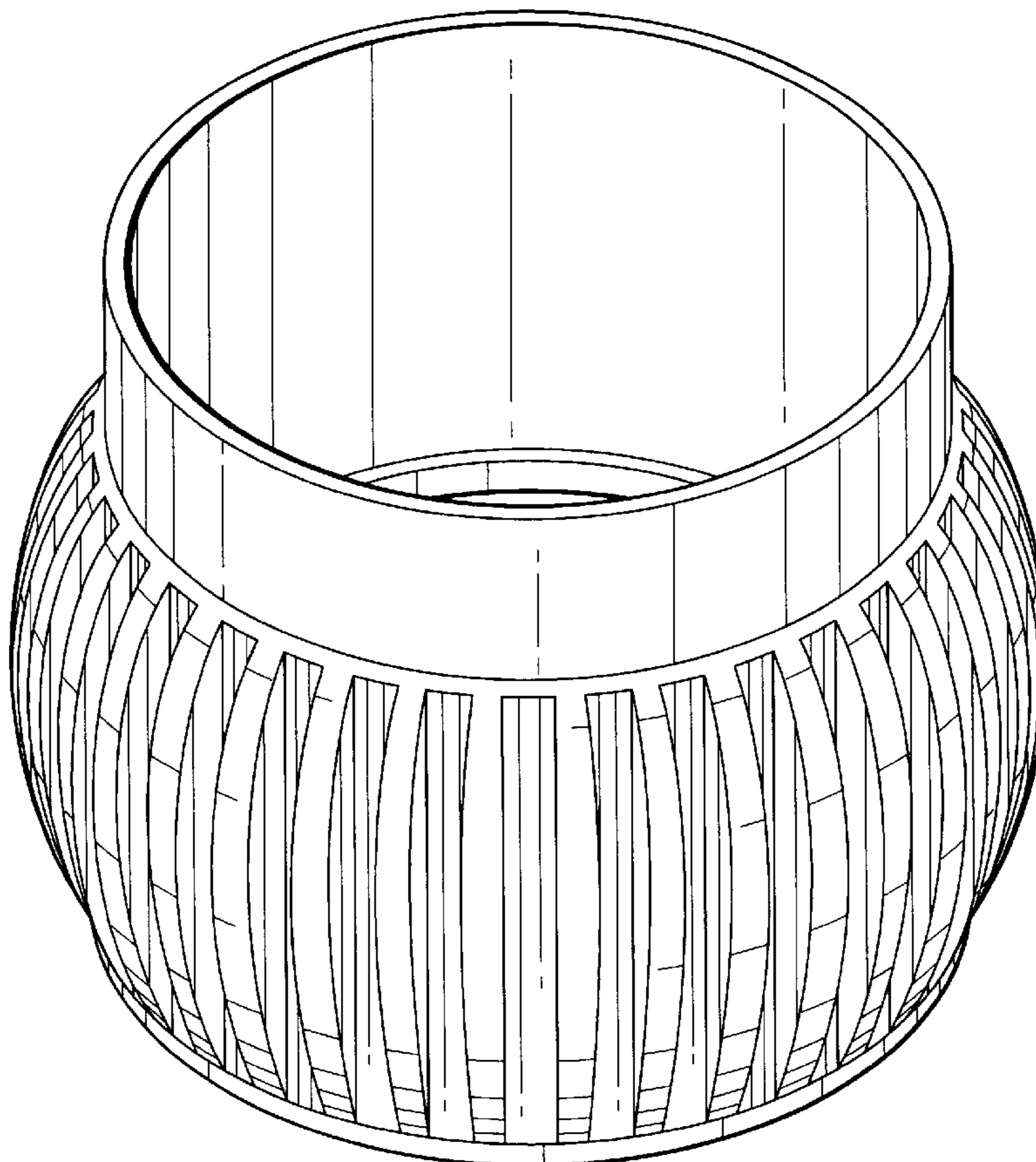
FIG. 1 is a top-front perspective view of the spherical heat sink;

FIG. 2 is a top view of the invention as shown in FIG. 1;

FIG. 3 is a side view of the invention as shown in FIG. 1 with the opposite sides being identical; and,

FIG. 4 is a bottom view of the invention with respect to FIG. 1.

**1 Claim, 3 Drawing Sheets**



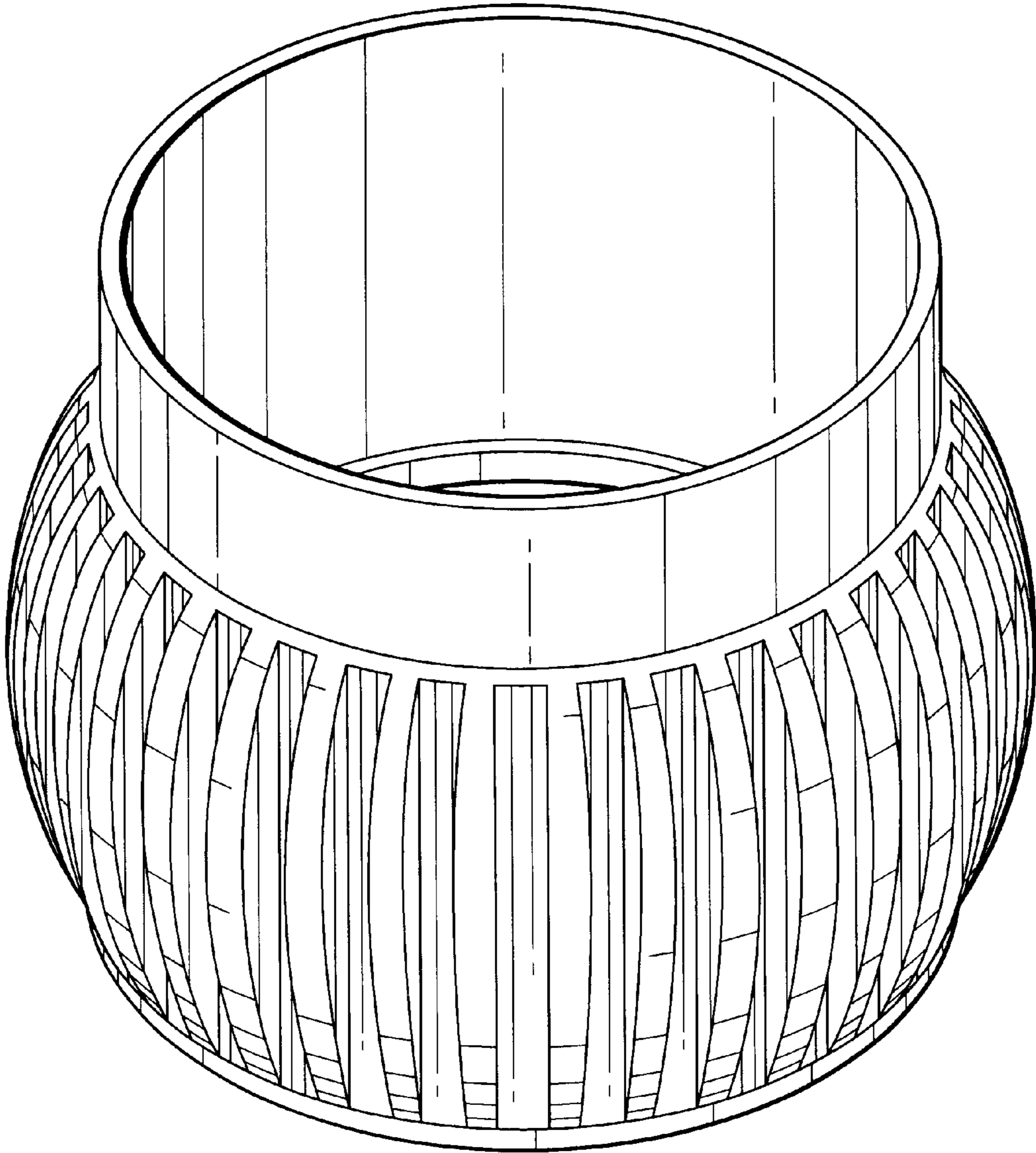


FIG. 1

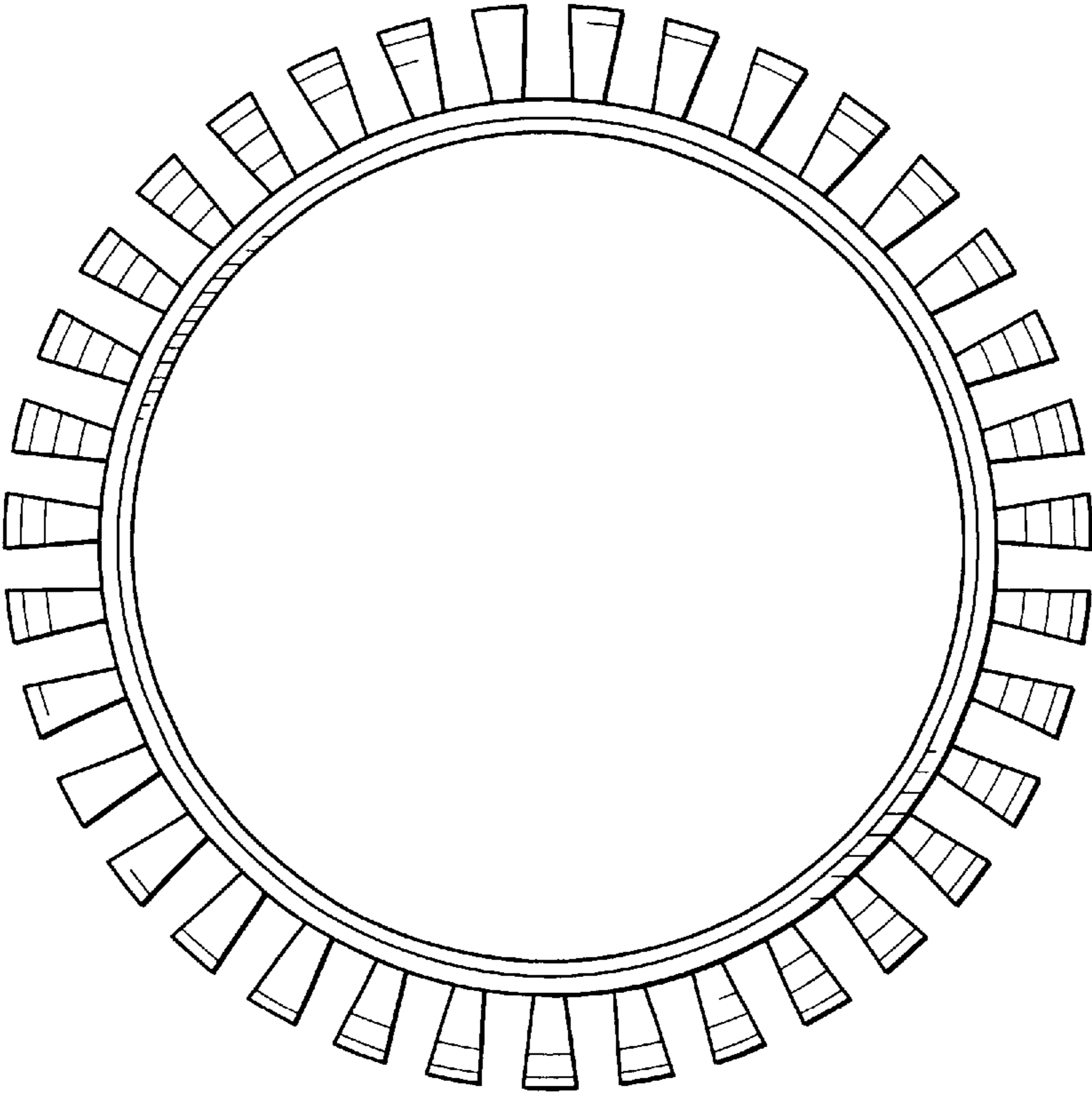


FIG. 2

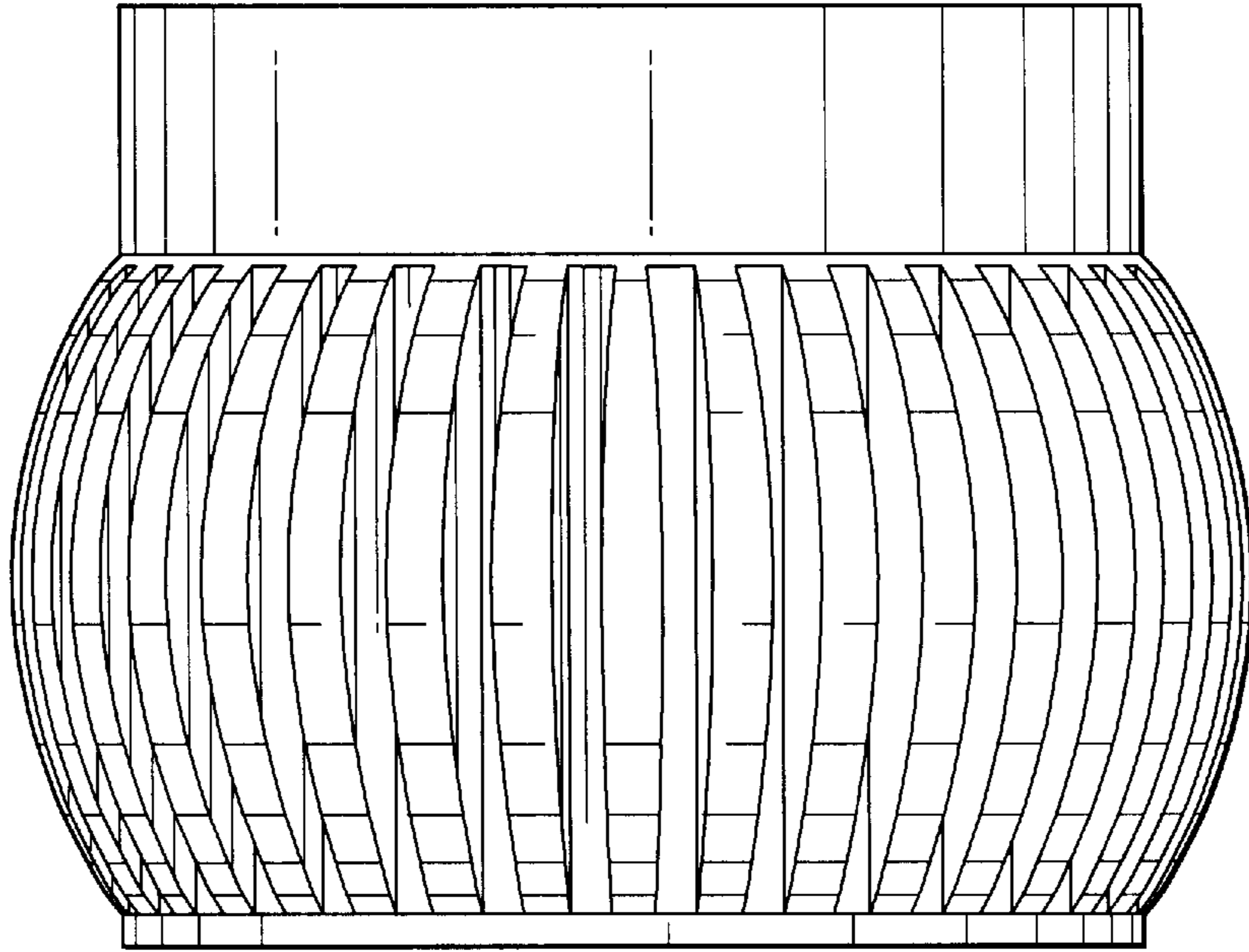


FIG. 3

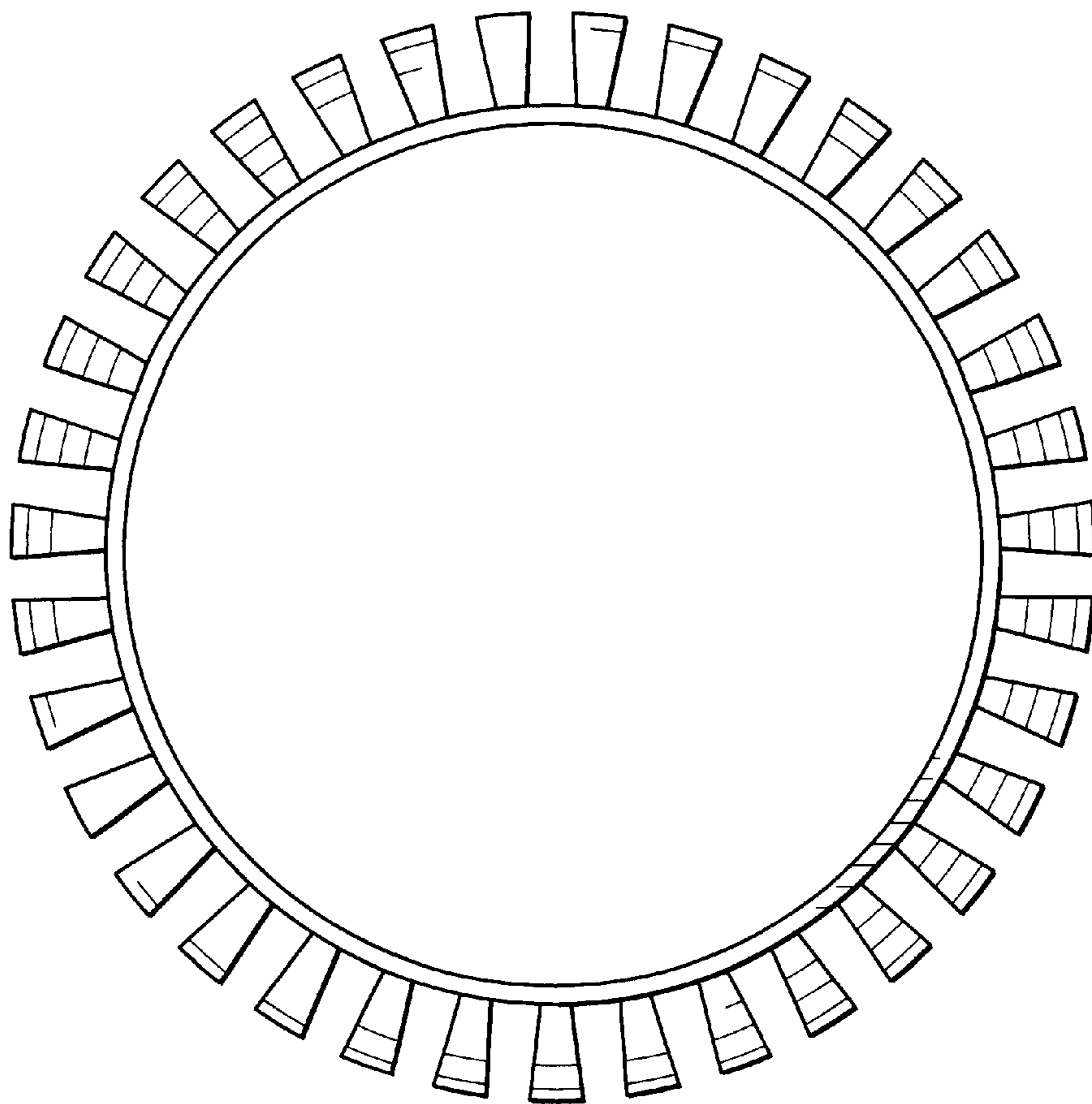


FIG. 4