

US00D530682S

(12) **United States Design Patent**  
**O'Sullivan et al.**

(10) **Patent No.:** **US D530,682 S**  
(45) **Date of Patent:** **\*\* Oct. 24, 2006**

(54) **HEAT SINK FINS**

(75) Inventors: **Michael O'Sullivan**, Naperville, IL  
(US); **Eric Lotter**, Bloomington, IL  
(US)

(73) Assignee: **Molex Incorporated**, Lisle, IL (US)

(\*\*) Term: **14 Years**

(21) Appl. No.: **29/235,696**

(22) Filed: **Aug. 4, 2005**

(51) **LOC (8) Cl.** ..... **13-03**

(52) **U.S. Cl.** ..... **D13/179**

(58) **Field of Classification Search** ..... D13/179;  
D23/370; 165/80.3, 104.33, 121, 122, 146,  
165/180, 185; 174/16.3; 257/706, 707, 718-722;  
361/271, 274.3, 695, 697, 700, 702, 704,  
361/709-711

See application file for complete search history.

(56) **References Cited**

**U.S. PATENT DOCUMENTS**

D453,744 S	*	2/2002	Lee et al.	.....	D13/179
D487,885 S	*	3/2004	Fan	.....	D13/179
6,698,511 B1	*	3/2004	DiBene et al.	.....	165/185
2001/0030039 A1	*	10/2001	Copeland et al.	.....	165/104.26
2002/0056544 A1	*	5/2002	Azar	.....	165/80.3

2003/0210525 A1	*	11/2003	Chung et al.	.....	361/695
2004/0194924 A1	*	10/2004	Wong	.....	165/80.3
2005/0103476 A1	*	5/2005	Chen et al.	.....	165/104.33
2006/0028798 A1	*	2/2006	Wang	.....	361/697
2006/0054307 A1	*	3/2006	Lee et al.	.....	165/80.3
2006/0067050 A1	*	3/2006	Li et al.	.....	361/697

\* cited by examiner

*Primary Examiner*—Selina Sikder

(74) *Attorney, Agent, or Firm*—Robert J. Zeitler

(57) **CLAIM**

The ornamental design for heat sink fins, as shown and described.

**DESCRIPTION**

FIG. 1 is a side perspective view of the heat sink fins showing our new design;

FIG. 2 is a side perspective view thereof, opposite of that shown in FIG. 1;

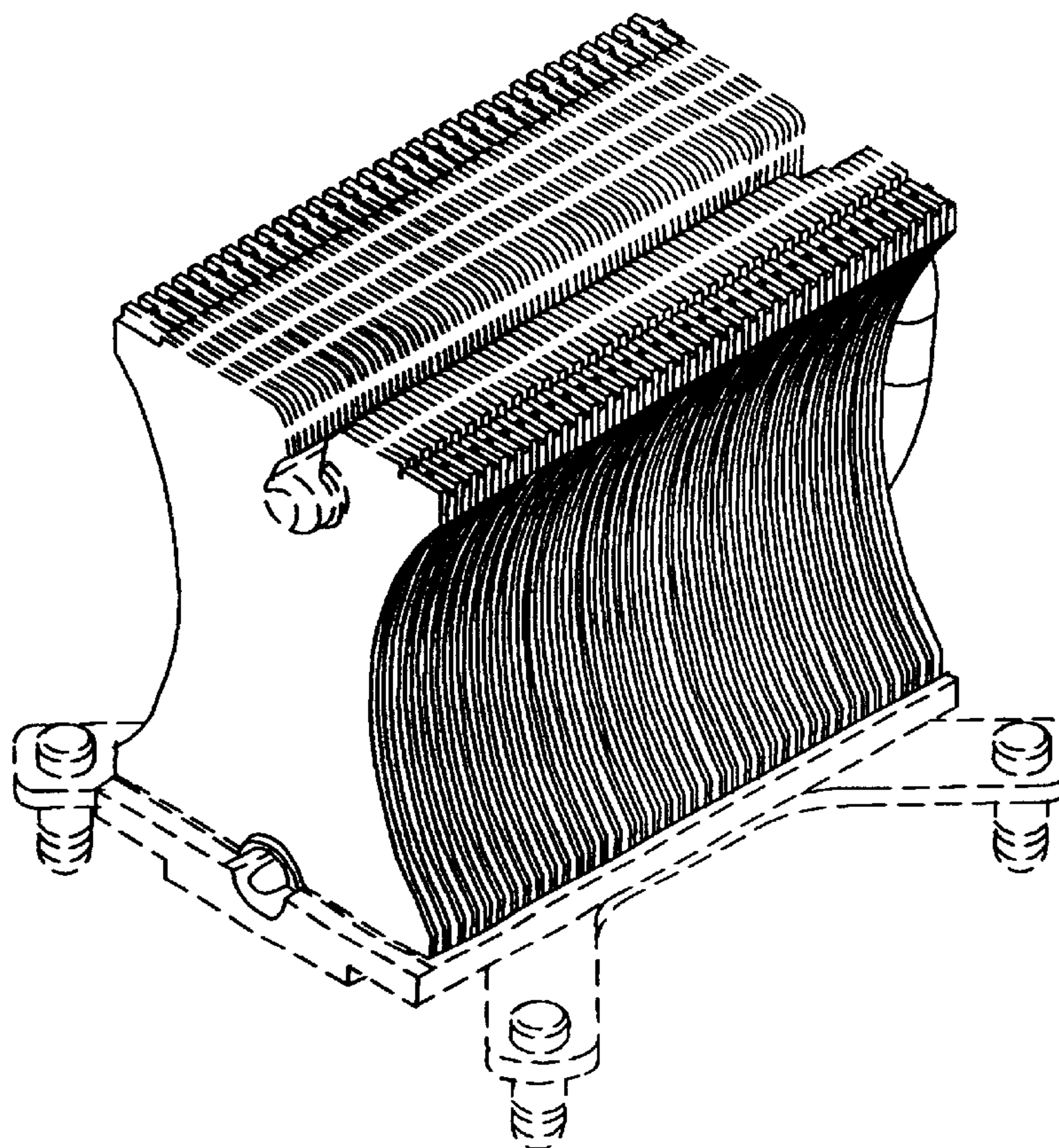
FIG. 3 is an end view thereof;

FIG. 4 is end view thereof, opposite of that shown in FIG. 3; and,

FIG. 5 is a bottom view thereof.

The portions shown in phantom lines are for showing environment only and do not form any part of the claimed design.

**1 Claim, 2 Drawing Sheets**



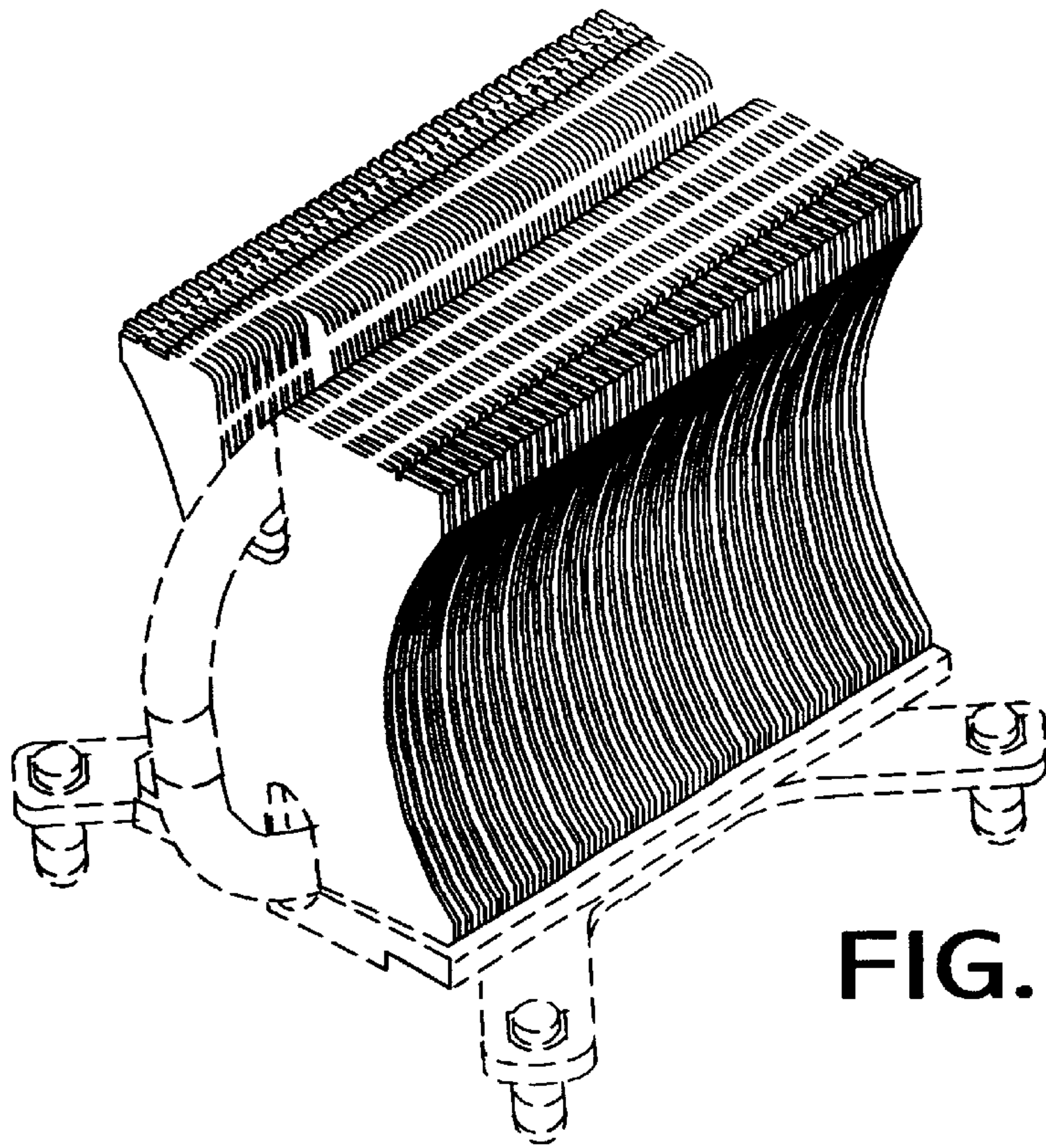


FIG. 1

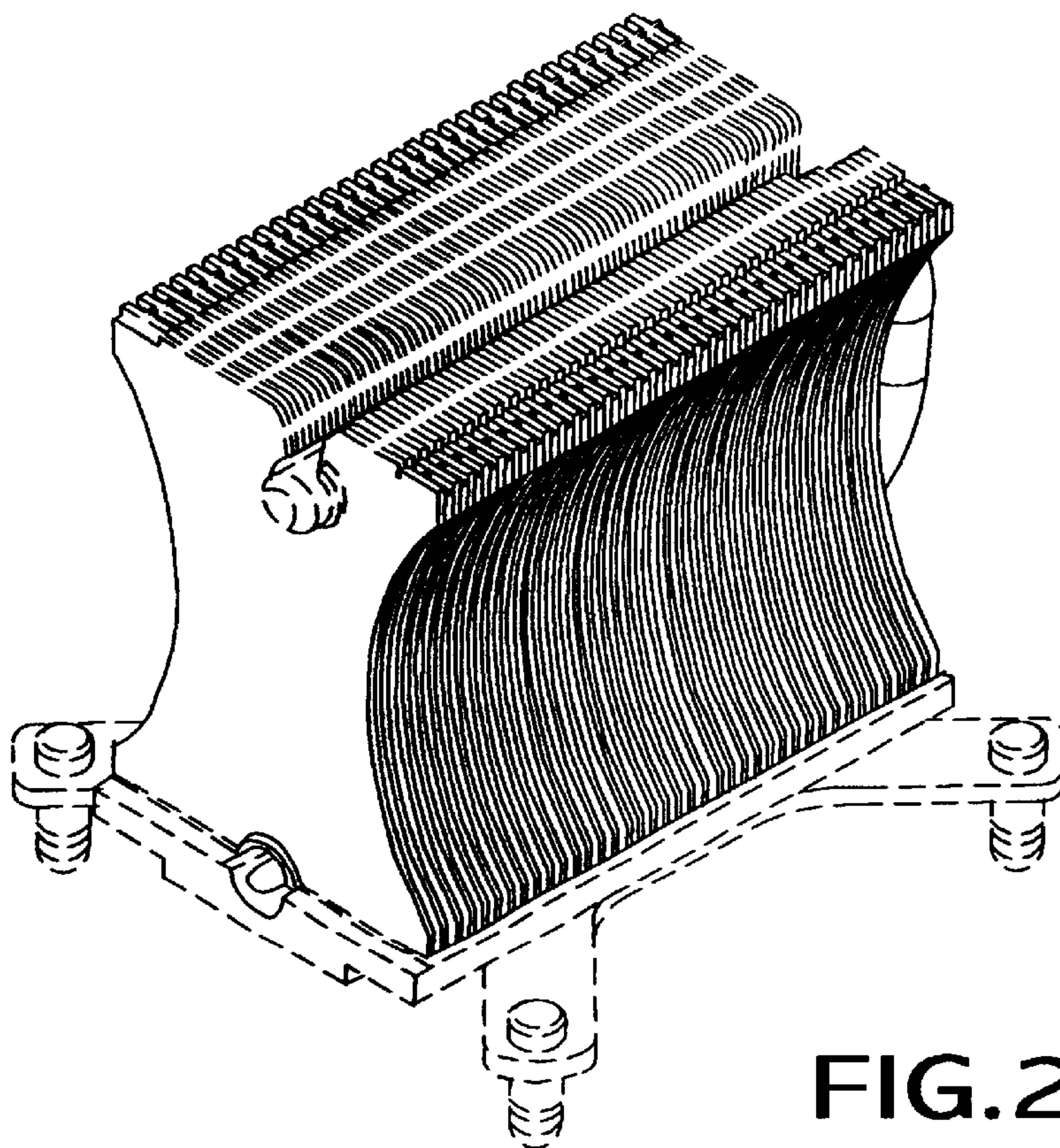
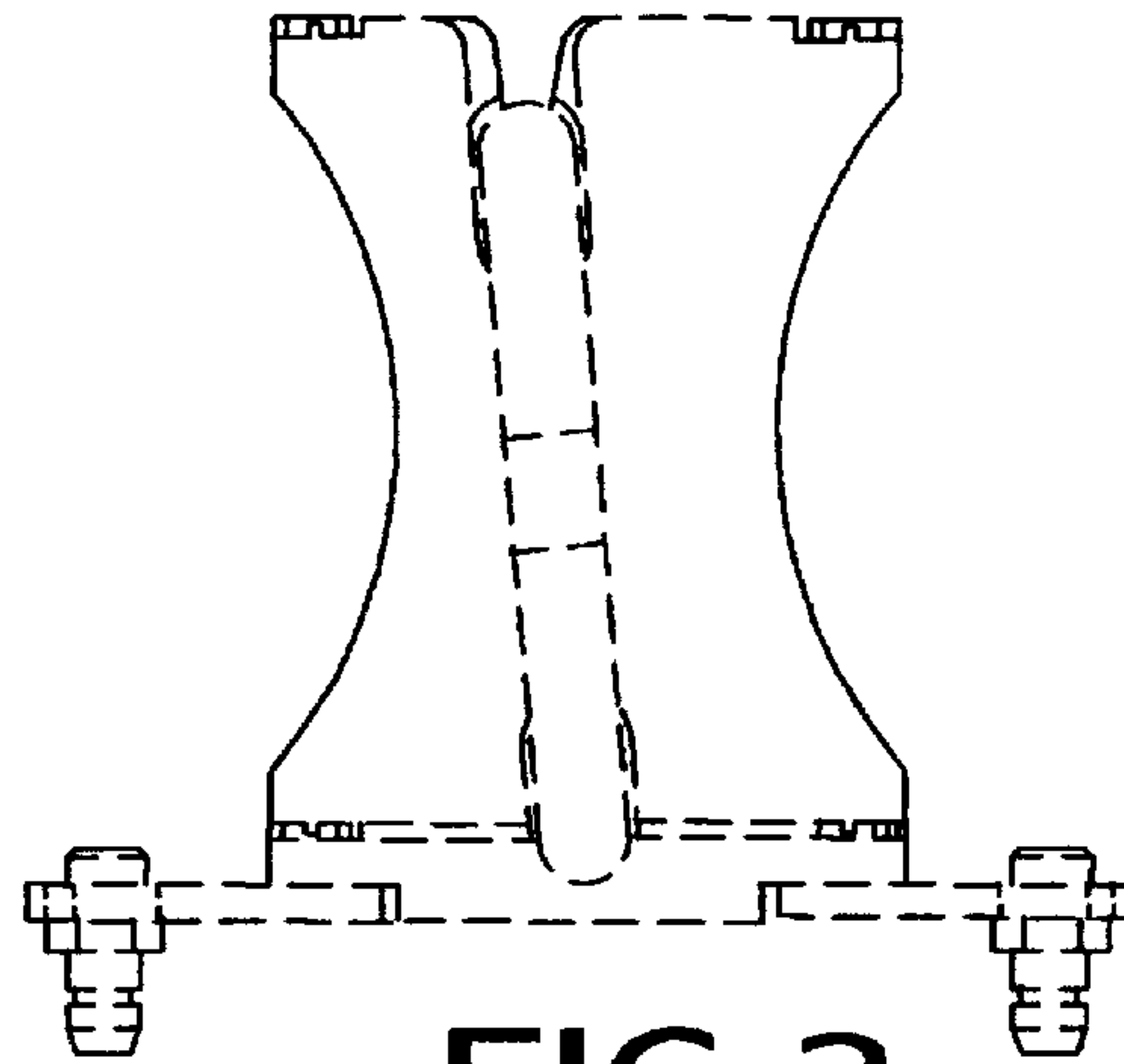
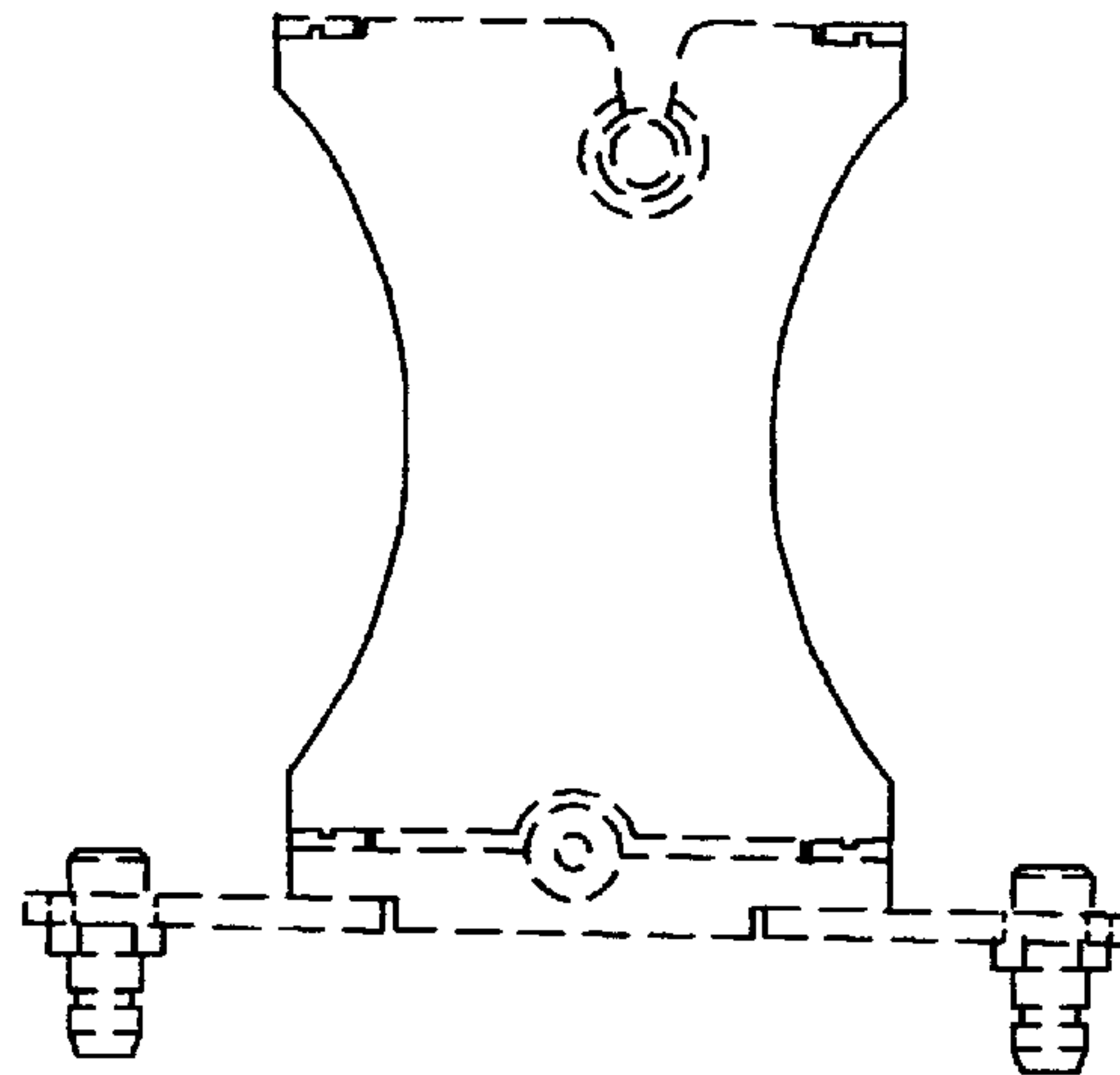


FIG. 2

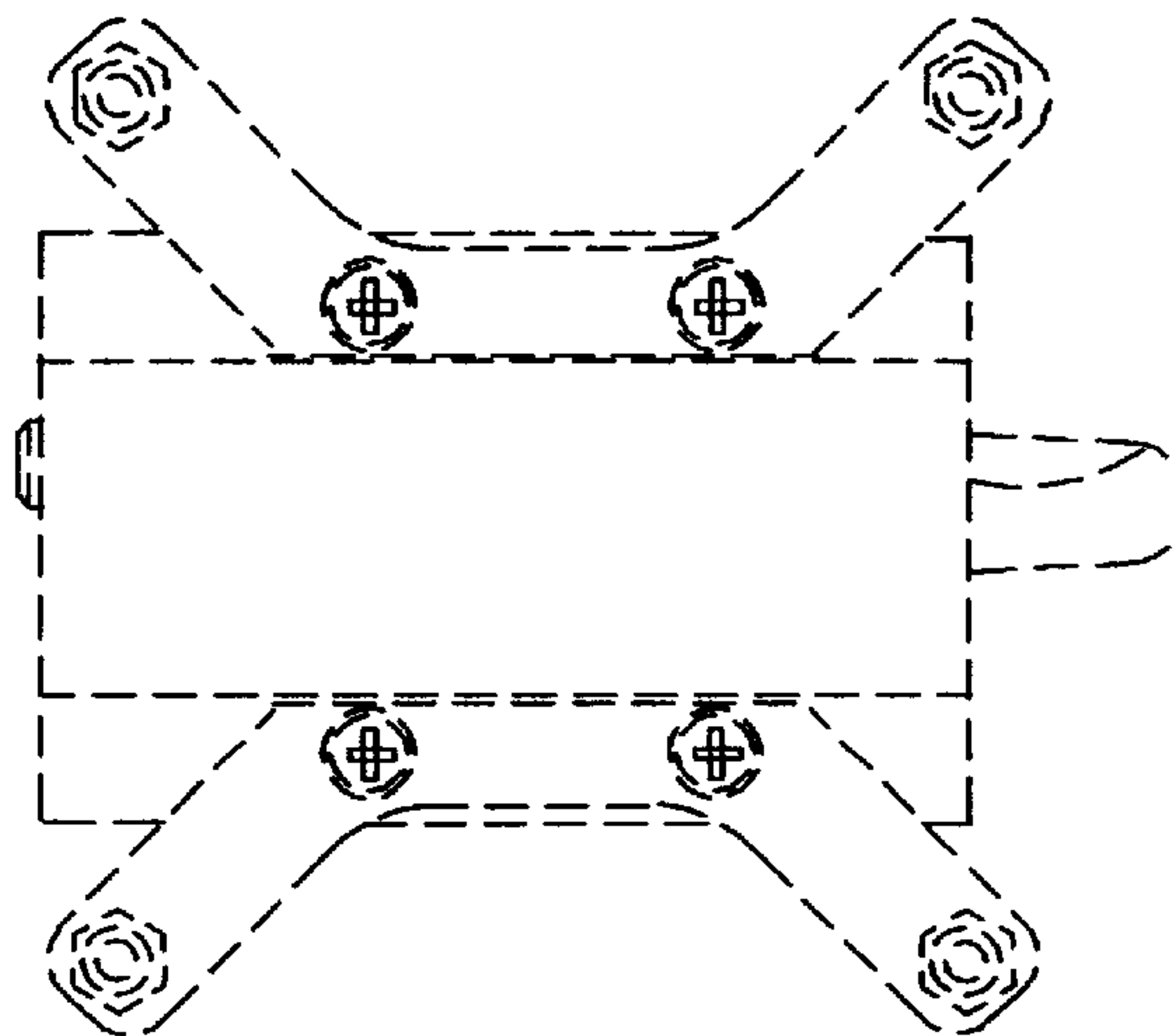




**FIG. 3**



**FIG. 4**



**FIG. 5**