



US00D530680S

(12) **United States Design Patent**
Fox et al.

(10) **Patent No.:** **US D530,680 S**
(45) **Date of Patent:** **** Oct. 24, 2006**

(54) **CONTROL MODULE FOR HEAT AND LIGHT THERAPY DEVICE**

(75) Inventors: **Sherry Fox**, Parker, CO (US); **David W. Wright**, Littleton, CO (US); **Christopher Andrews**, Fort Collins, CO (US)

(73) Assignee: **BioCare Systems, Inc.**, Parker, CO (US)

(**) Term: **14 Years**

(21) Appl. No.: **29/232,541**

(22) Filed: **Jun. 21, 2005**

(51) **LOC (8) Cl.** **13-03**

(52) **U.S. Cl.** **D13/168**

(58) **Field of Classification Search** D13/168;
D14/218, 247; D24/113, 200, 209, 210; 340/825.22,
340/825.24, 825.25, 825.31, 825.36, 825.69,
340/825.71, 825.72; 341/20, 22, 23, 34, 173,
341/174, 176; 345/156, 168, 169; 348/734;
455/92, 95, 100, 128, 151.1–151.4, 325–355;
463/39; 700/17, 19, 20, 281; 601/15
See application file for complete search history.

(56) **References Cited**

U.S. PATENT DOCUMENTS

2,750,480 A * 6/1956 Freeman 200/302.2

4,520,247 A * 5/1985 Pancook et al. 200/298
D341,837 S * 11/1993 Curbbun D14/218
D368,074 S * 3/1996 Lee et al. D13/168
6,039,702 A * 3/2000 Cutler et al. 601/15
D443,596 S * 6/2001 Ohkuma D13/168
D505,117 S * 5/2005 Arz et al. D13/168
D519,988 S * 5/2006 Tanaka D14/218
2001/0025775 A1 * 10/2001 Krebs et al. 200/298

* cited by examiner

Primary Examiner—Selina Sikder

(74) *Attorney, Agent, or Firm*—John R. Ley

(57) **CLAIM**

The ornamental design for the control module for heat and light therapy device, as shown.

DESCRIPTION

FIG. 1 is a perspective view of the control module for heat and light therapy device of the present invention.

FIG. 2 is a front elevational view of FIG. 1.

FIG. 3 is a rear elevational view of FIG. 1.

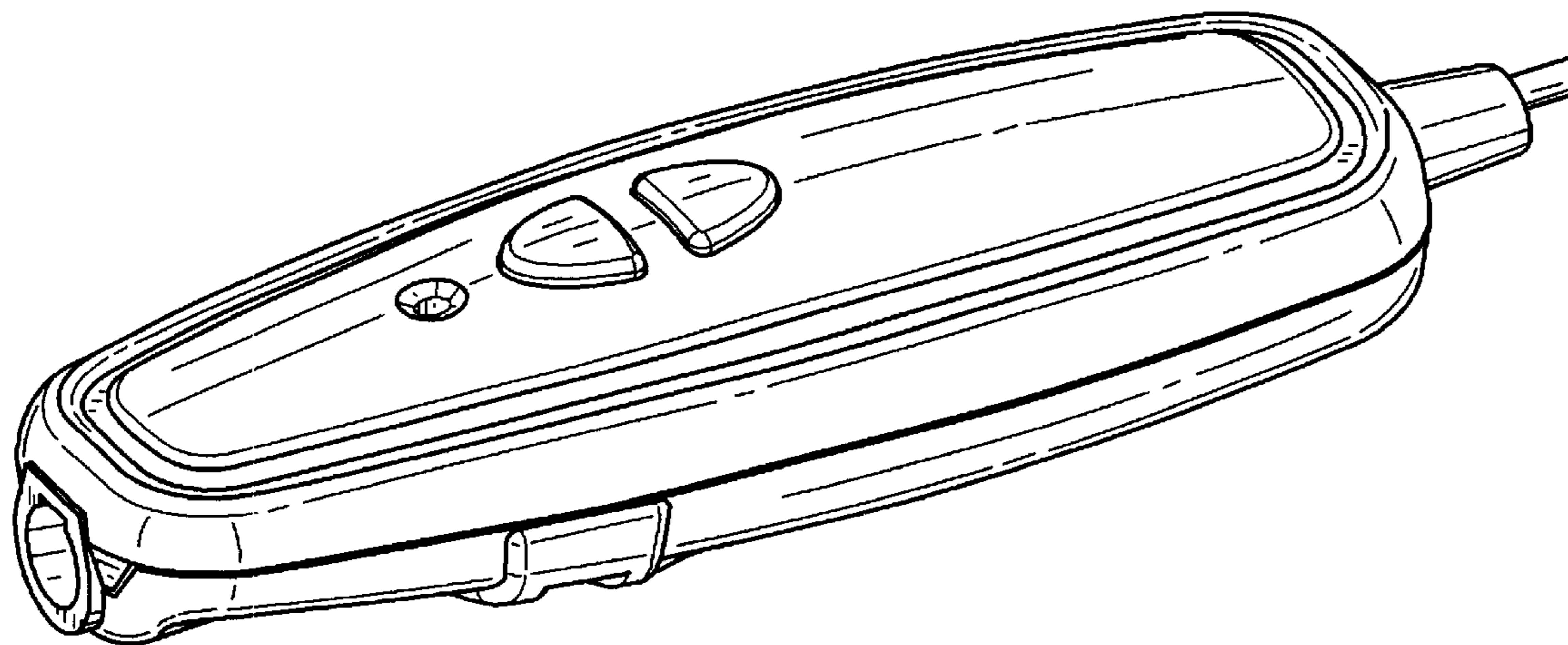
FIG. 4 is a right-side elevational view of FIG. 1.

FIG. 5 is a left-side elevational view of FIG. 1.

FIG. 6 is a top plan view of FIG. 1; and,

FIG. 7 is a bottom plan view of FIG. 1.

1 Claim, 4 Drawing Sheets



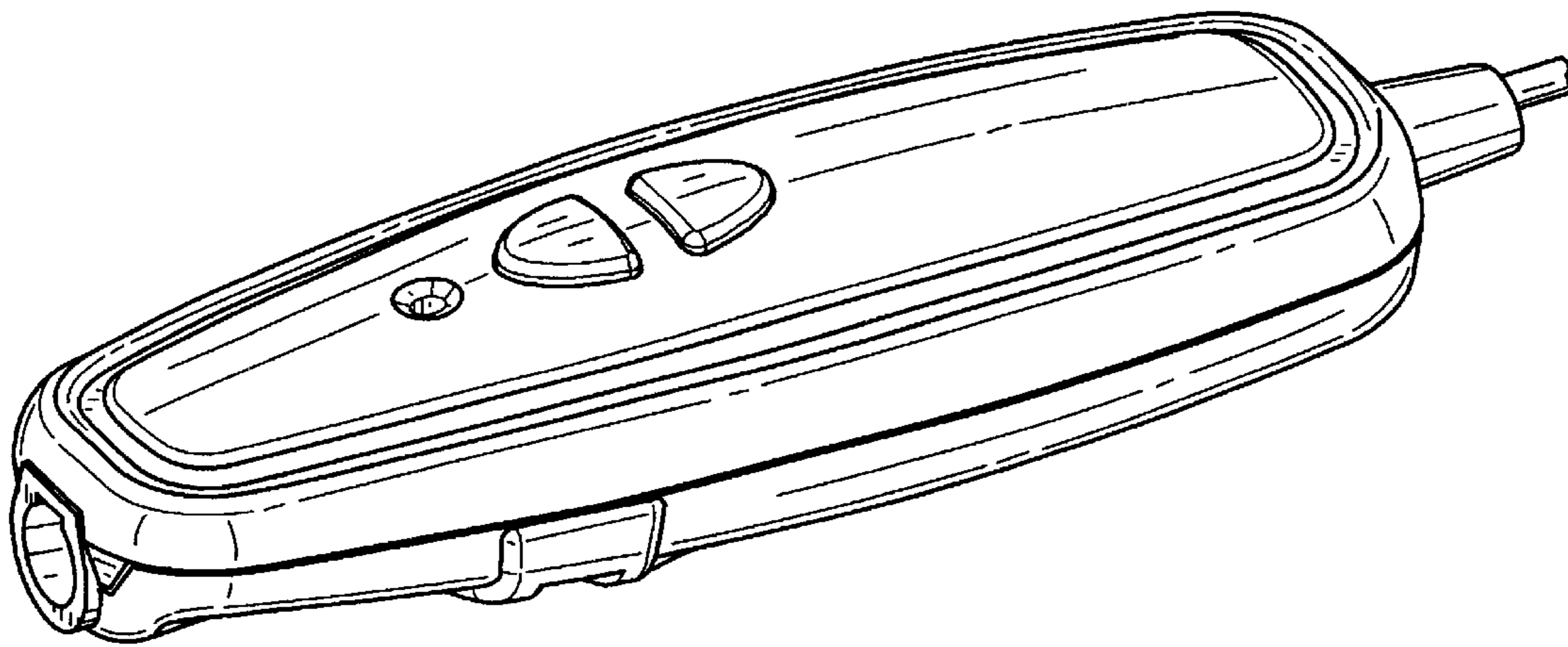


FIG.1

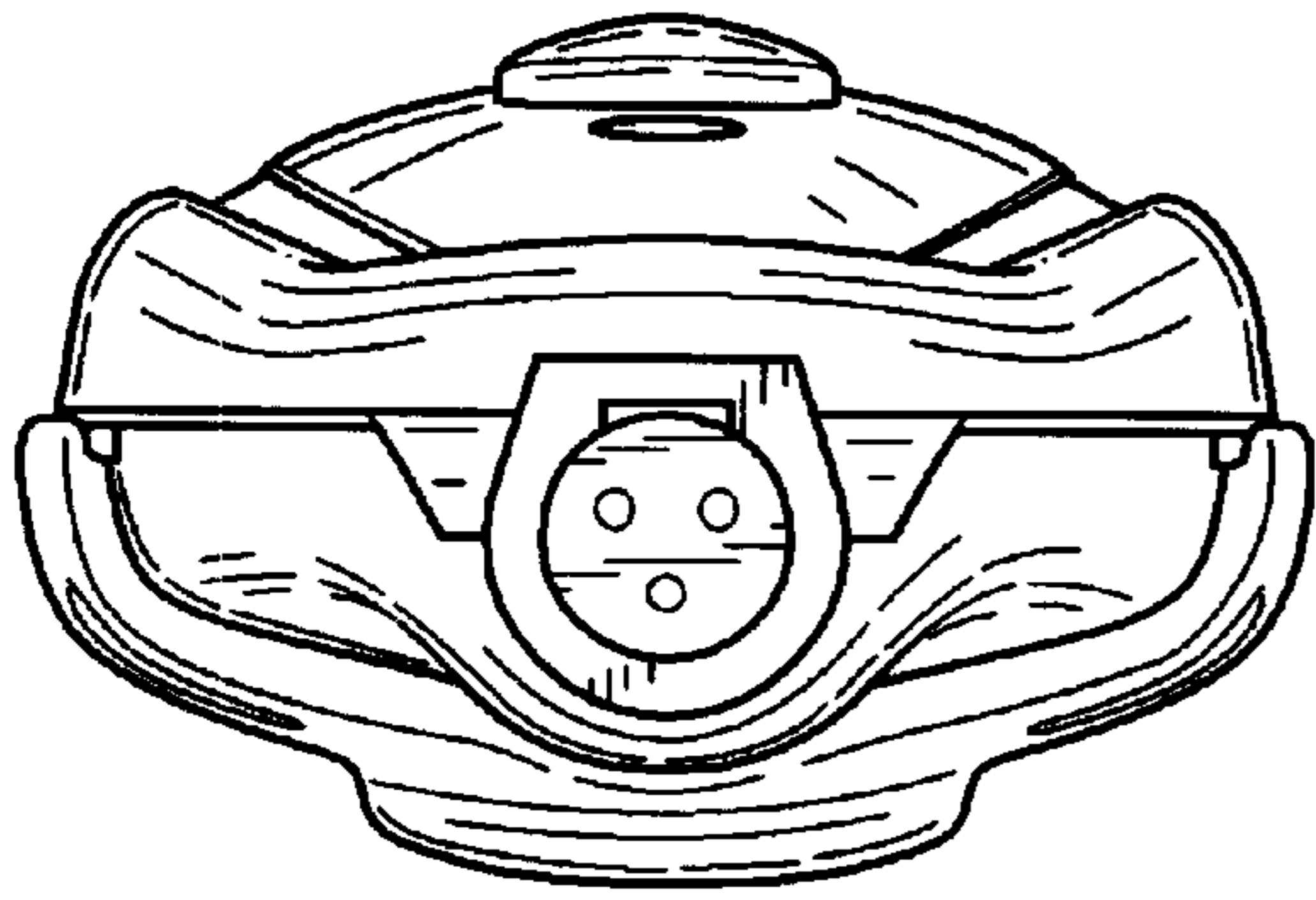


FIG. 2

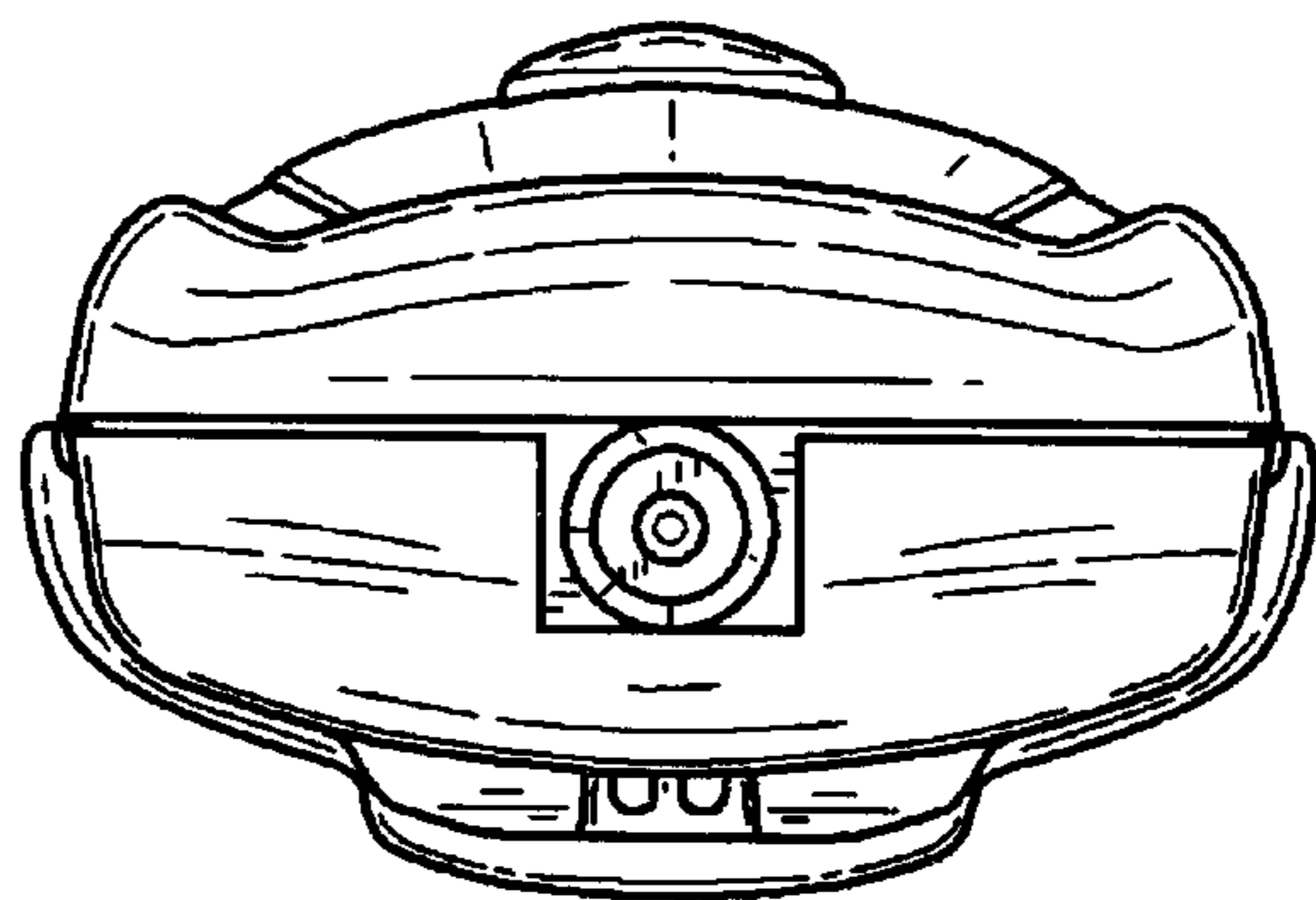


FIG. 3

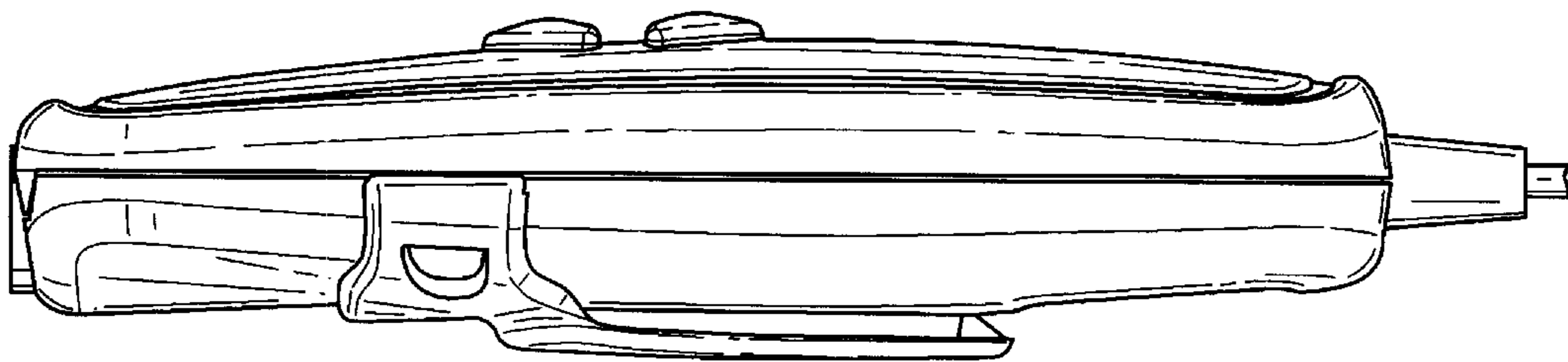


FIG.4

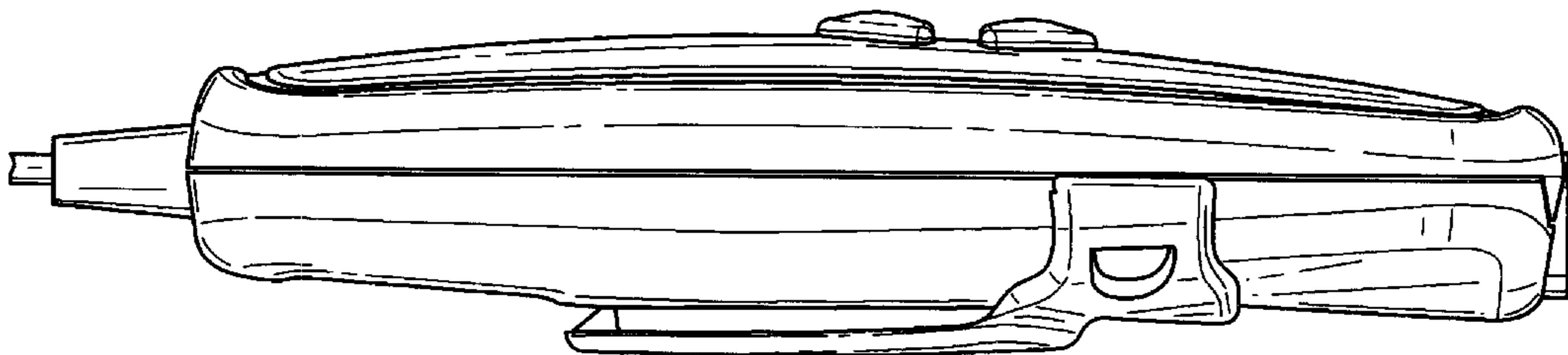


FIG.5

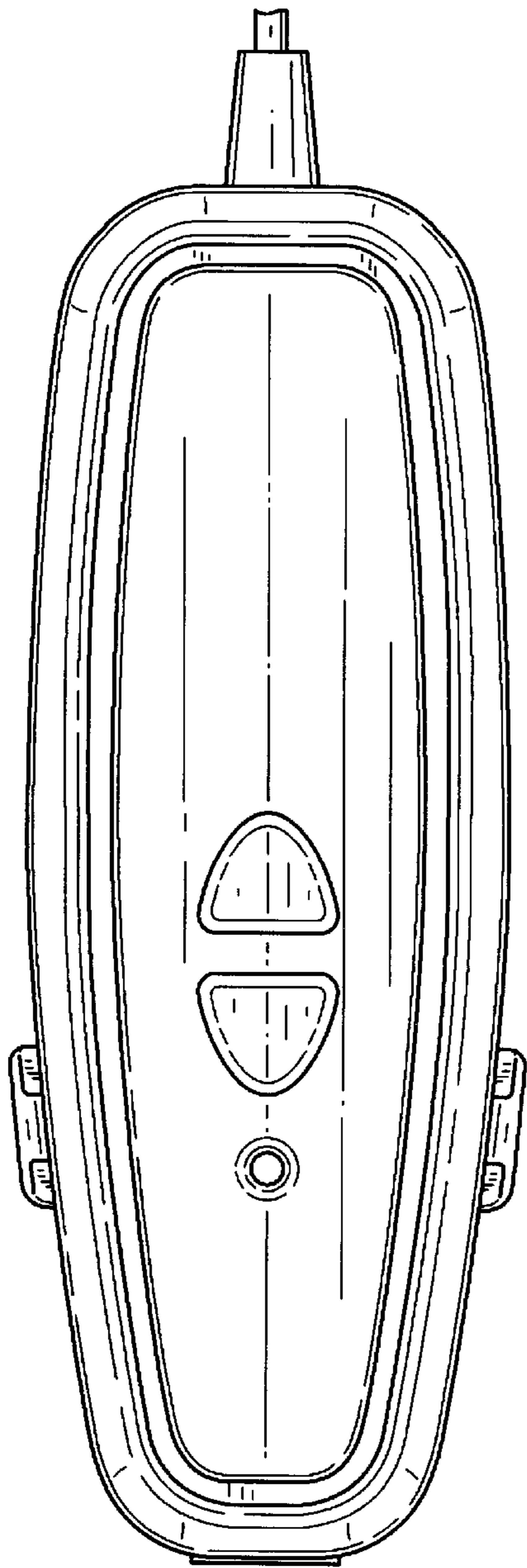


FIG. 6

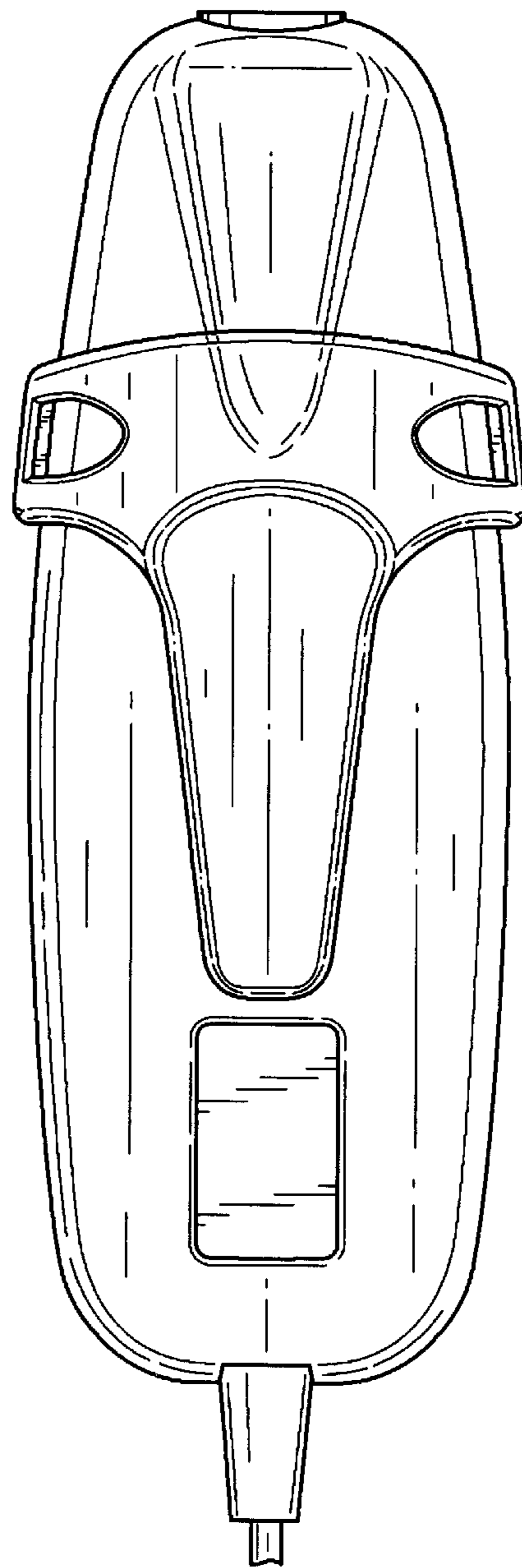


FIG. 7