



US00D530679S

(12) **United States Design Patent**
Li et al.

(10) **Patent No.:** **US D530,679 S**

(45) **Date of Patent:** **** Oct. 24, 2006**

(54) **ELECTRICAL CONNECTOR**

(75) Inventors: **Wei-Guo Li**, Kunshan (CN); **Jun-Jian Zhang**, Kunshan (CN); **Wei-Hua Pan**, Kunshan (CN); **Ming Zhang**, Kunshan (CN)

(73) Assignee: **Hon Hai Precision Ind. Co., Ltd.**, Taipei Hsien (TW)

(**) Term: **14 Years**

(21) Appl. No.: **29/245,371**

(22) Filed: **Dec. 22, 2005**

(30) **Foreign Application Priority Data**

Aug. 31, 2005 (CN) 200530088899

(51) **LOC (8) Cl.** **13-03**

(52) **U.S. Cl.** **D13/149; D13/147**

(58) **Field of Classification Search** D13/133, D13/146-149, 151, 153, 154, 184; D14/256; 439/412-413, 521, 810-811, 814, 709
See application file for complete search history.

(56) **References Cited**

U.S. PATENT DOCUMENTS

D331,224 S * 11/1992 Robertson D13/147

D335,487 S * 5/1993 Volk et al. D13/147
5,551,889 A * 9/1996 Kozel et al. 439/404
D396,475 S * 7/1998 Bradshaw et al. D14/256
5,848,913 A * 12/1998 Ashcraft 439/521
D414,466 S * 9/1999 Bradshaw et al. D13/147
6,497,592 B1 * 12/2002 Beadle 439/814
6,971,926 B1 * 12/2005 Walton 439/798
2005/0202732 A1 * 9/2005 Rizzo et al. 439/810
2005/0250389 A1 * 11/2005 Johansen et al. 439/709

* cited by examiner

Primary Examiner—Prabhakar Deshmukh

Assistant Examiner—Daniel Bui

(74) *Attorney, Agent, or Firm*—Wei Te Chung

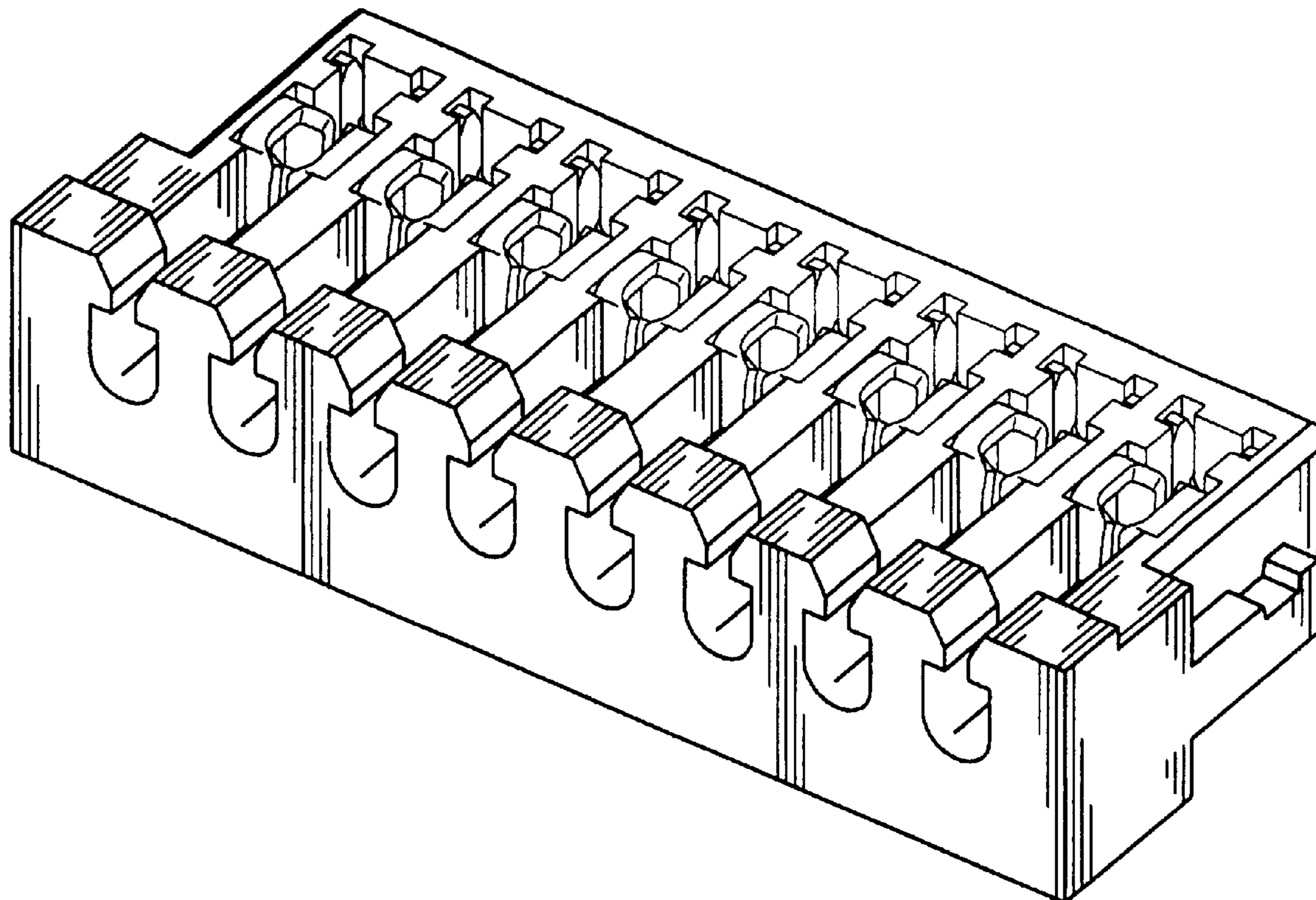
(57) **CLAIM**

The ornamental design for an electrical connector, as shown.

DESCRIPTION

FIG. 1 is a front side perspective view of an electrical connector showing our new design; FIG. 2 is a front elevational view of FIG. 1; FIG. 3 is a rear elevational view of FIG. 1; FIG. 4 is a left side elevational view of FIG. 1; FIG. 5 is a right side elevational view of FIG. 1; FIG. 6 is a top plan view of FIG. 1; and, FIG. 7 is a bottom plan view of FIG. 1.

1 Claim, 7 Drawing Sheets



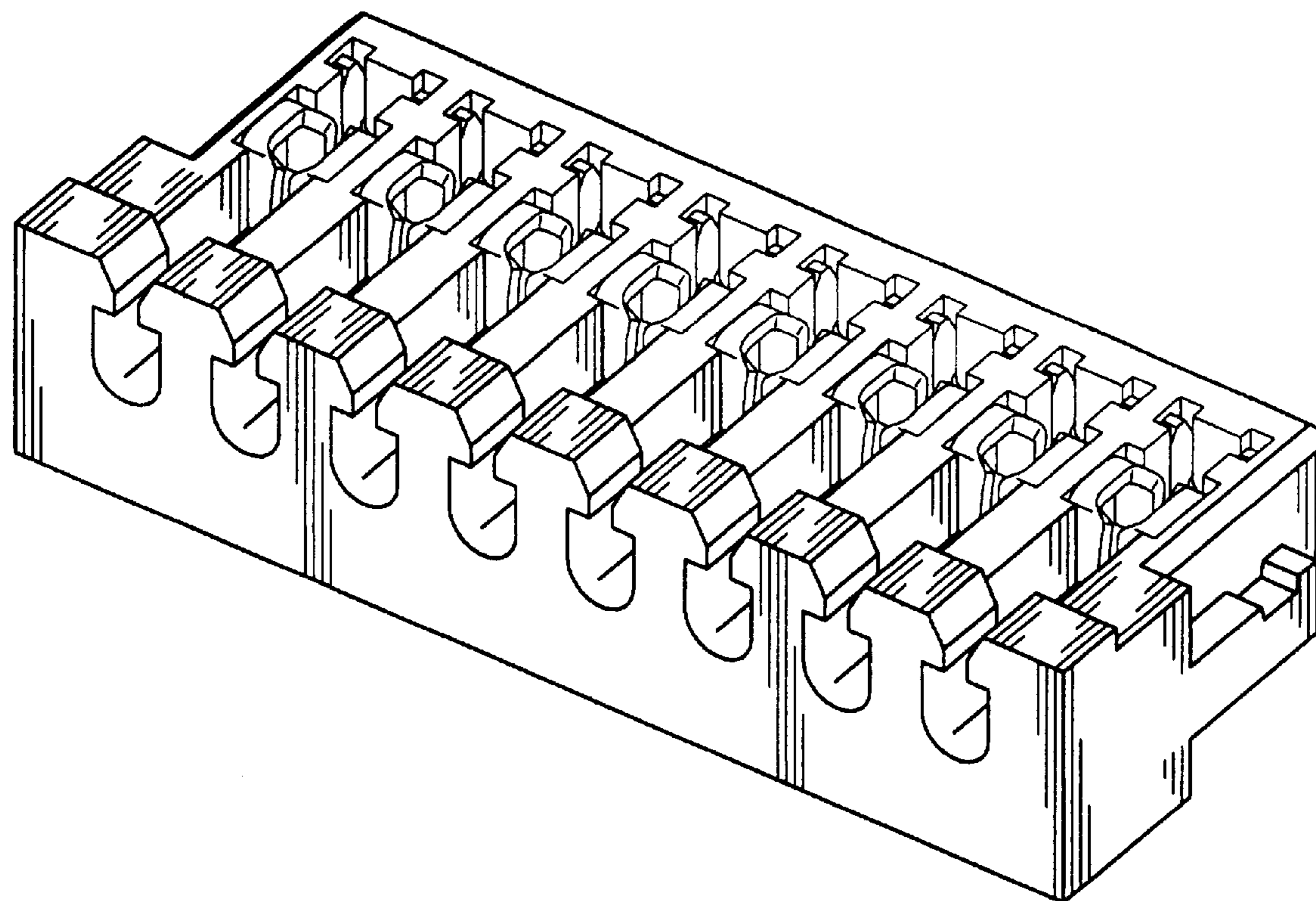


FIG. 1

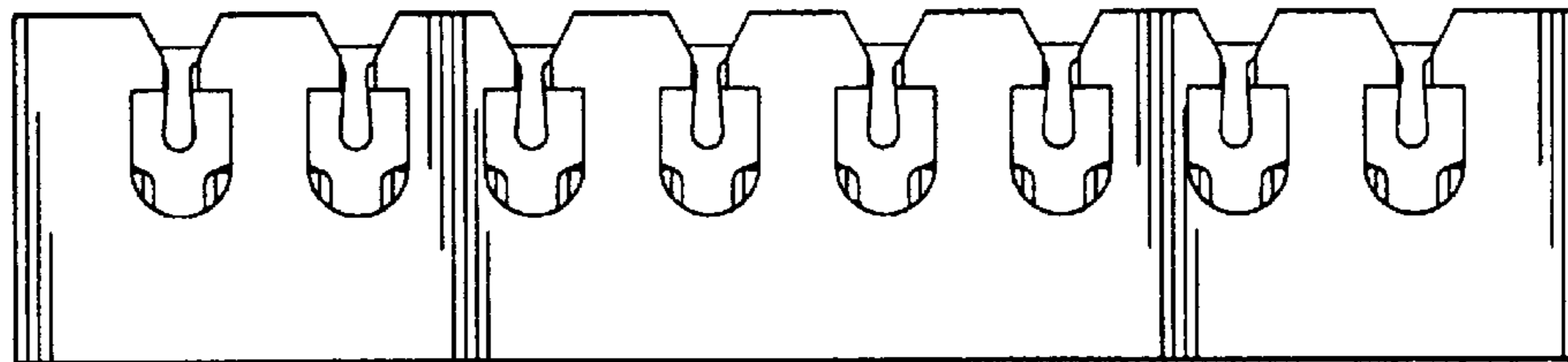


FIG. 2

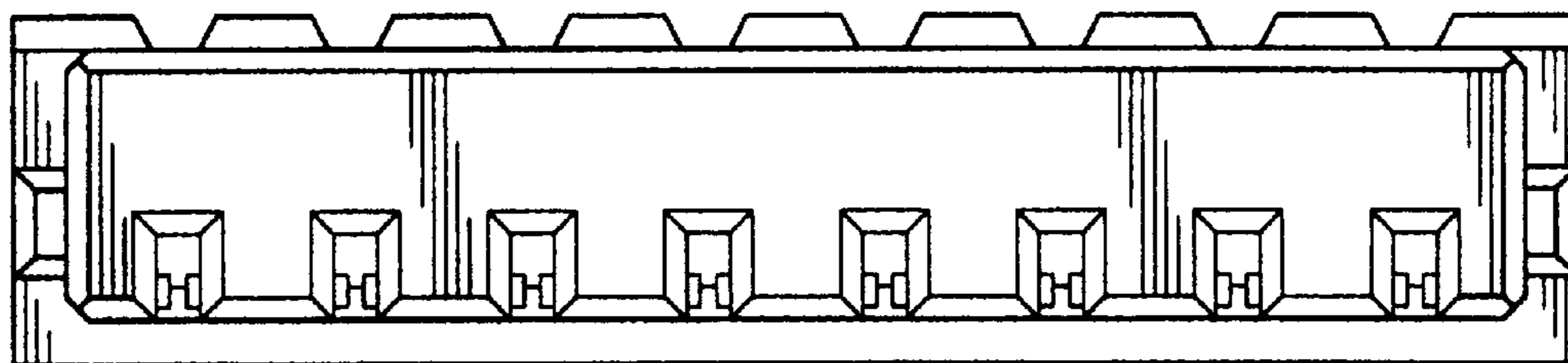


FIG. 3

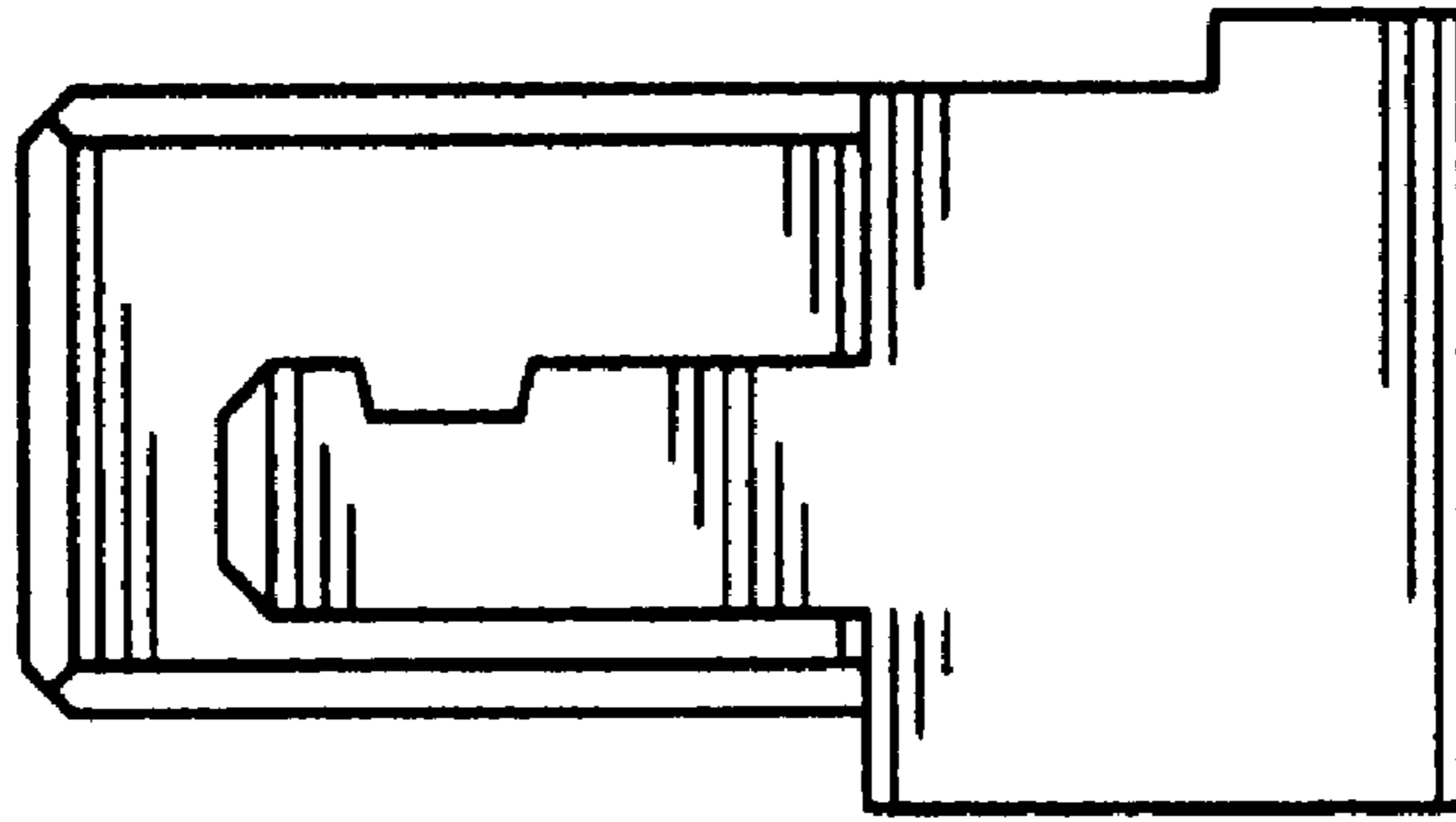


FIG. 4

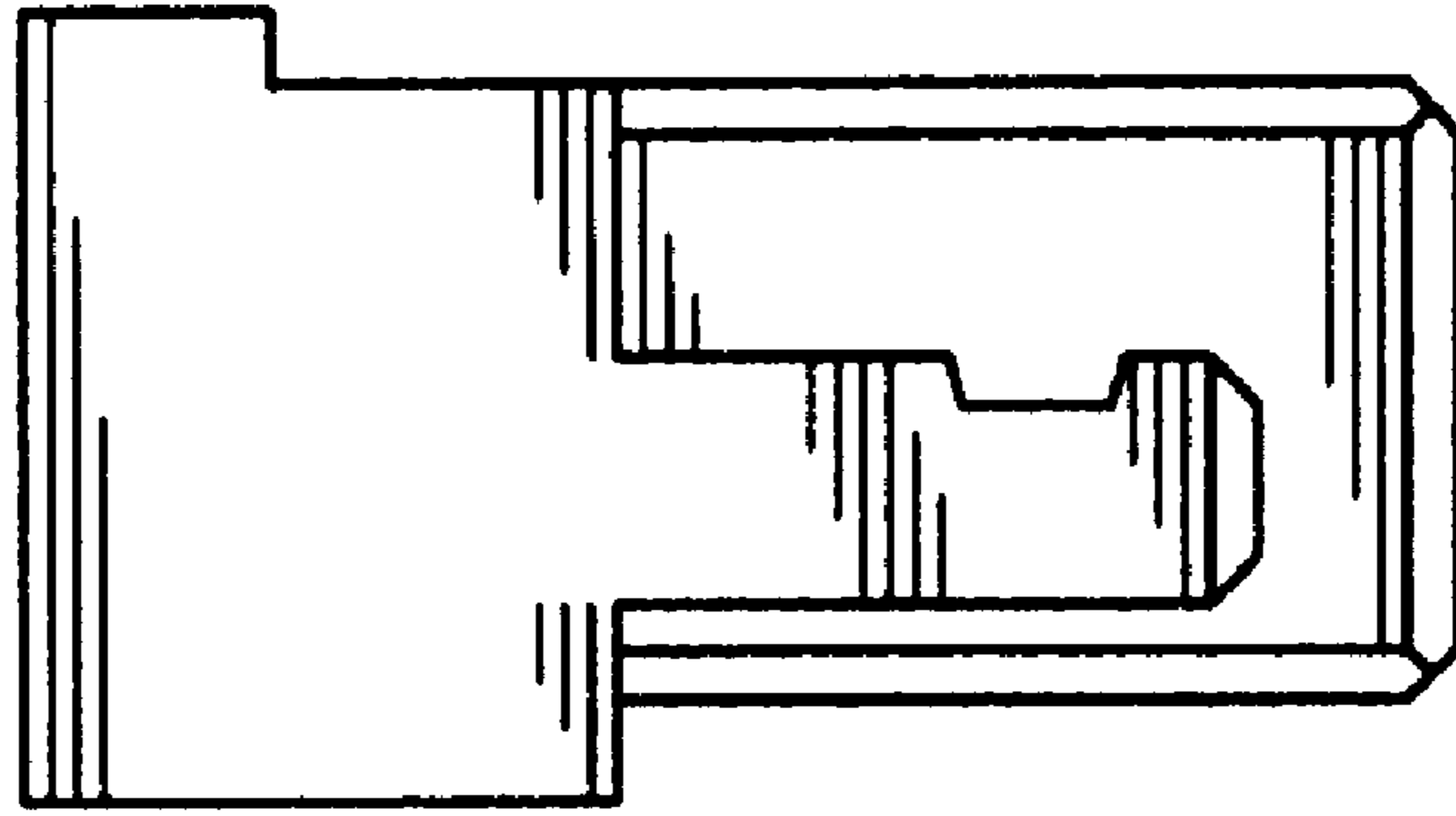


FIG. 5

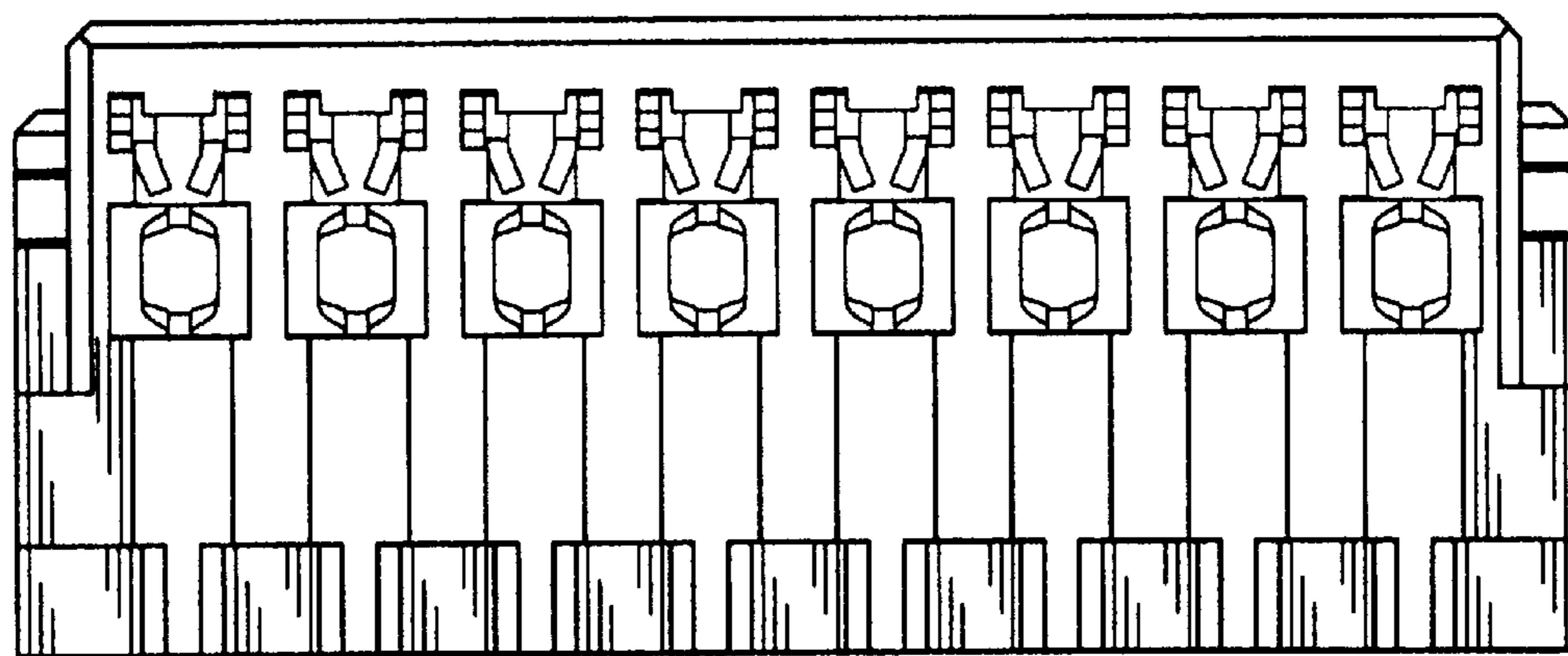


FIG. 6

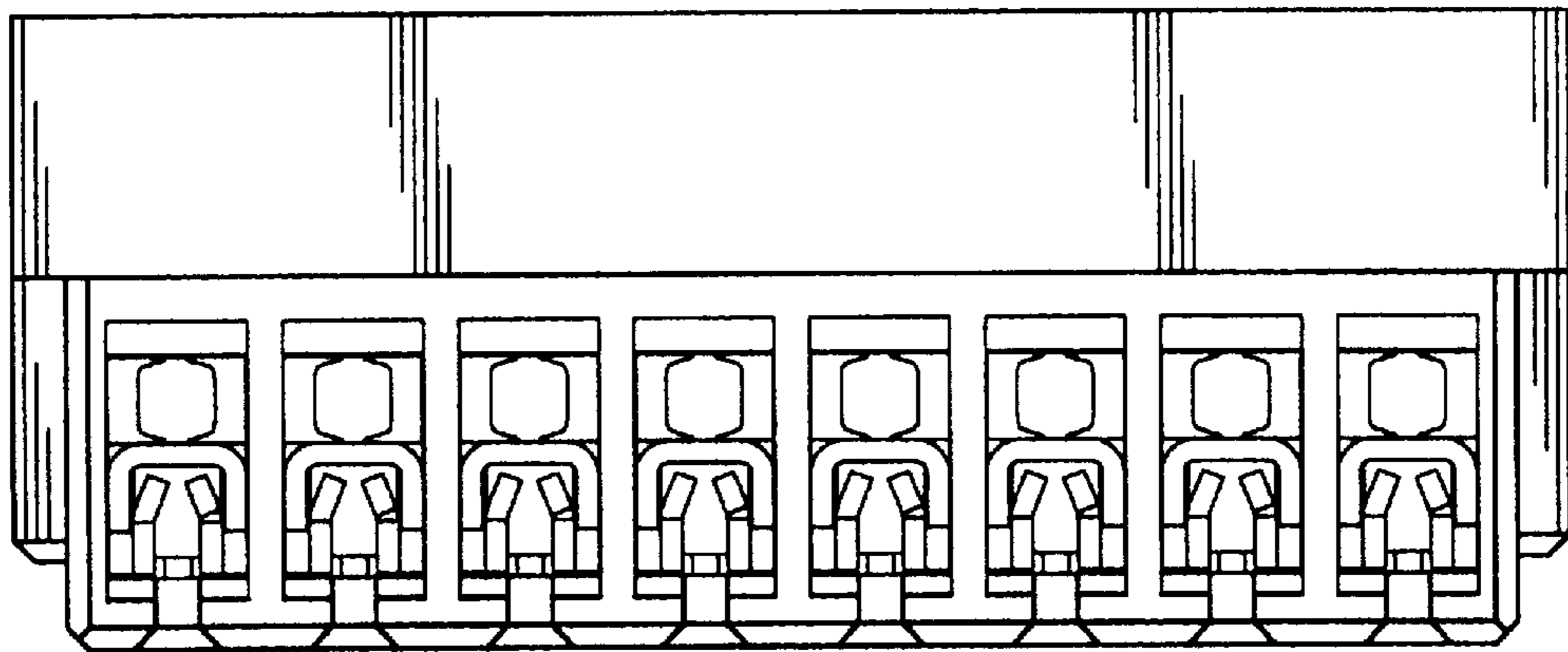


FIG. 7