



US00D530678S

(12) **United States Design Patent**  
**Kiely**

(10) **Patent No.:** **US D530,678 S**

(45) **Date of Patent:** **\*\* Oct. 24, 2006**

(54) **CABLE CONNECTOR**

(75) Inventor: **Kenneth M. Kiely**, Milford, CT (US)

(73) Assignee: **Bridgeport Fittings, Inc.**, Stratford, CT (US)

(\*\*) Term: **14 Years**

(21) Appl. No.: **29/219,027**

(22) Filed: **Dec. 13, 2004**

(51) **LOC (8) Cl.** ..... **13-03**

(52) **U.S. Cl.** ..... **D13/149**; D13/151

(58) **Field of Classification Search** ..... D13/133,  
D13/149, 151, 154, 184; D8/330-331, 382-383,  
D8/394-395; 248/49, 74.1, 62-63  
See application file for complete search history.

(56) **References Cited**

**U.S. PATENT DOCUMENTS**

D246,366 S	*	11/1977	McGrath	.....	D13/149
D404,362 S	*	1/1999	Auray et al.	.....	D13/152
D424,924 S	*	5/2000	Ackerman	.....	D8/396
D473,783 S	*	4/2003	Kiely	.....	D8/396
D479,984 S	*	9/2003	Kiely	.....	D8/396
D511,144 S	*	11/2005	Heary, Sr.	.....	D13/154
D518,791 S	*	4/2006	Kiely	.....	D13/153

\* cited by examiner

*Primary Examiner*—Stella Reid

*Assistant Examiner*—Daniel Bui

(74) *Attorney, Agent, or Firm*—Melvin I. Stoltz

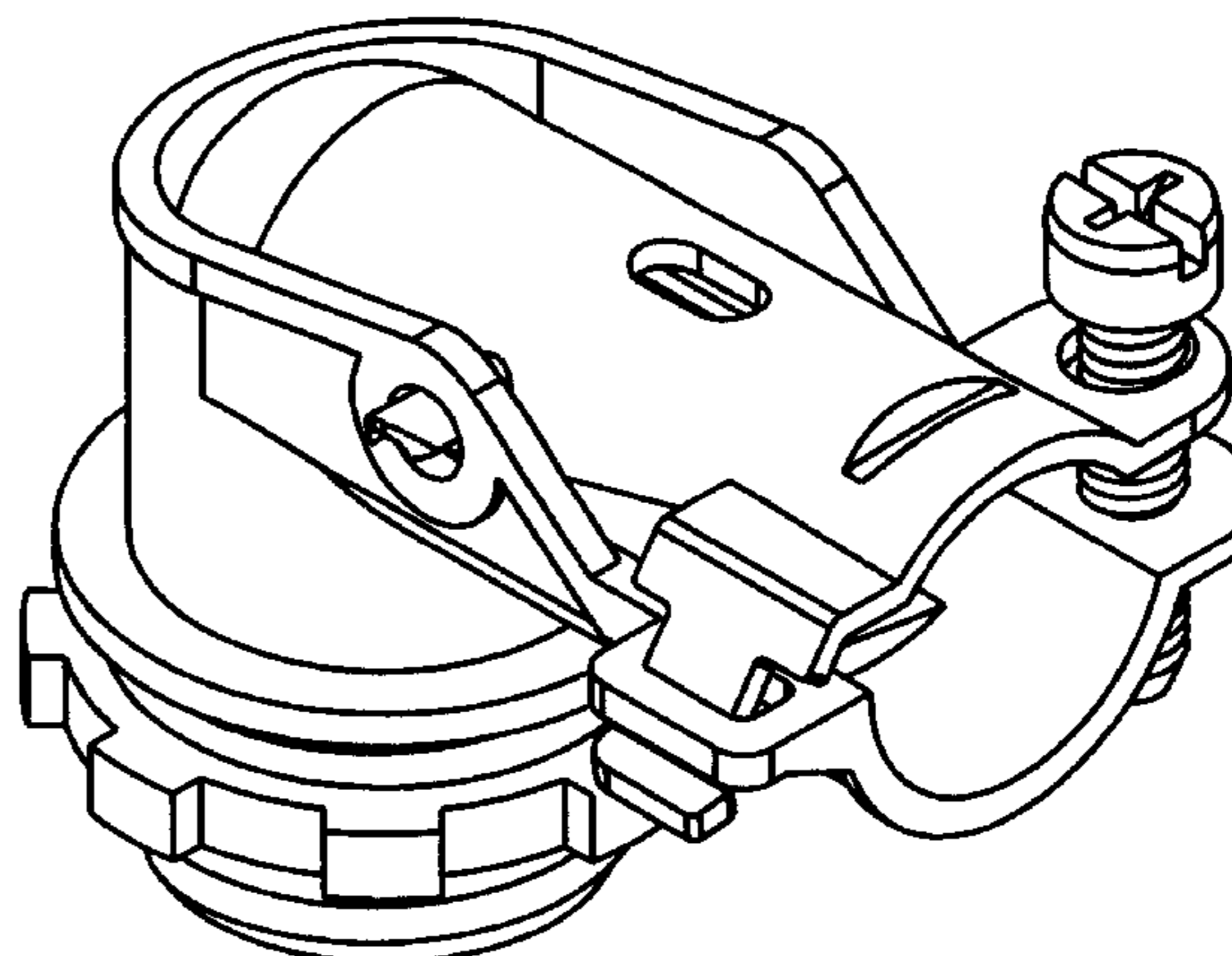
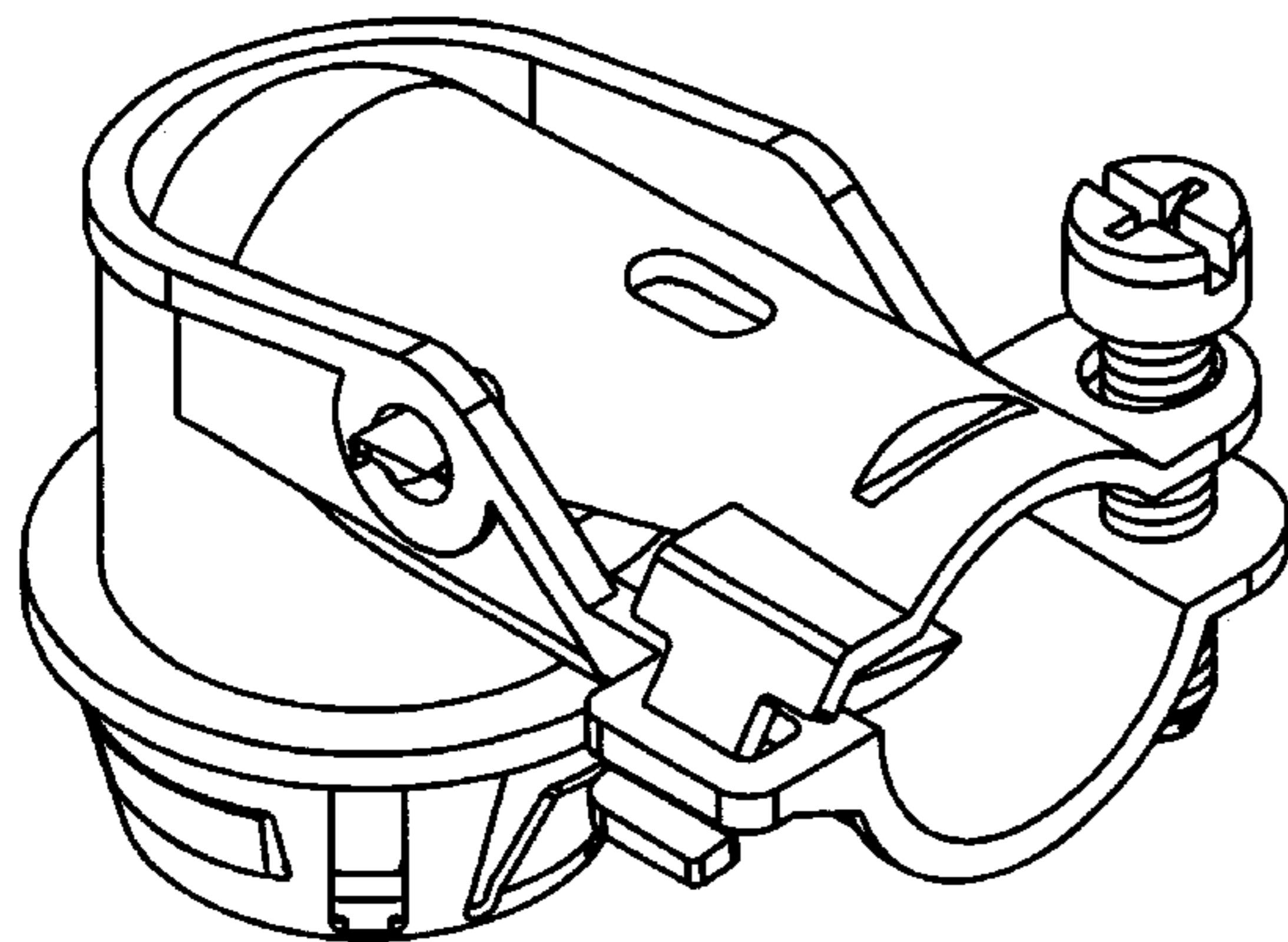
(57) **CLAIM**

The ornamental design for a cable connector, as shown and described.

**DESCRIPTION**

FIG. 1 is a perspective view of the first embodiment of a cable connector showing my new design; FIG. 2 is a front elevational view thereof; FIG. 3 is a rear elevational view thereof; FIG. 4 is a left side elevational view thereof; FIG. 5 is a right side elevational view thereof; FIG. 6 is a top plan view thereof; FIG. 7 is a bottom plan view thereof; FIG. 8 is a perspective view of the second embodiment of a cable connector showing my new design; FIG. 9 is a front elevational view thereof; FIG. 10 is a rear elevational view thereof; FIG. 11 is a right side elevational view thereof; FIG. 12 is a left side elevational view thereof; FIG. 13 is a top plan view thereof; and, FIG. 14 is a bottom plan view thereof.

**1 Claim, 8 Drawing Sheets**



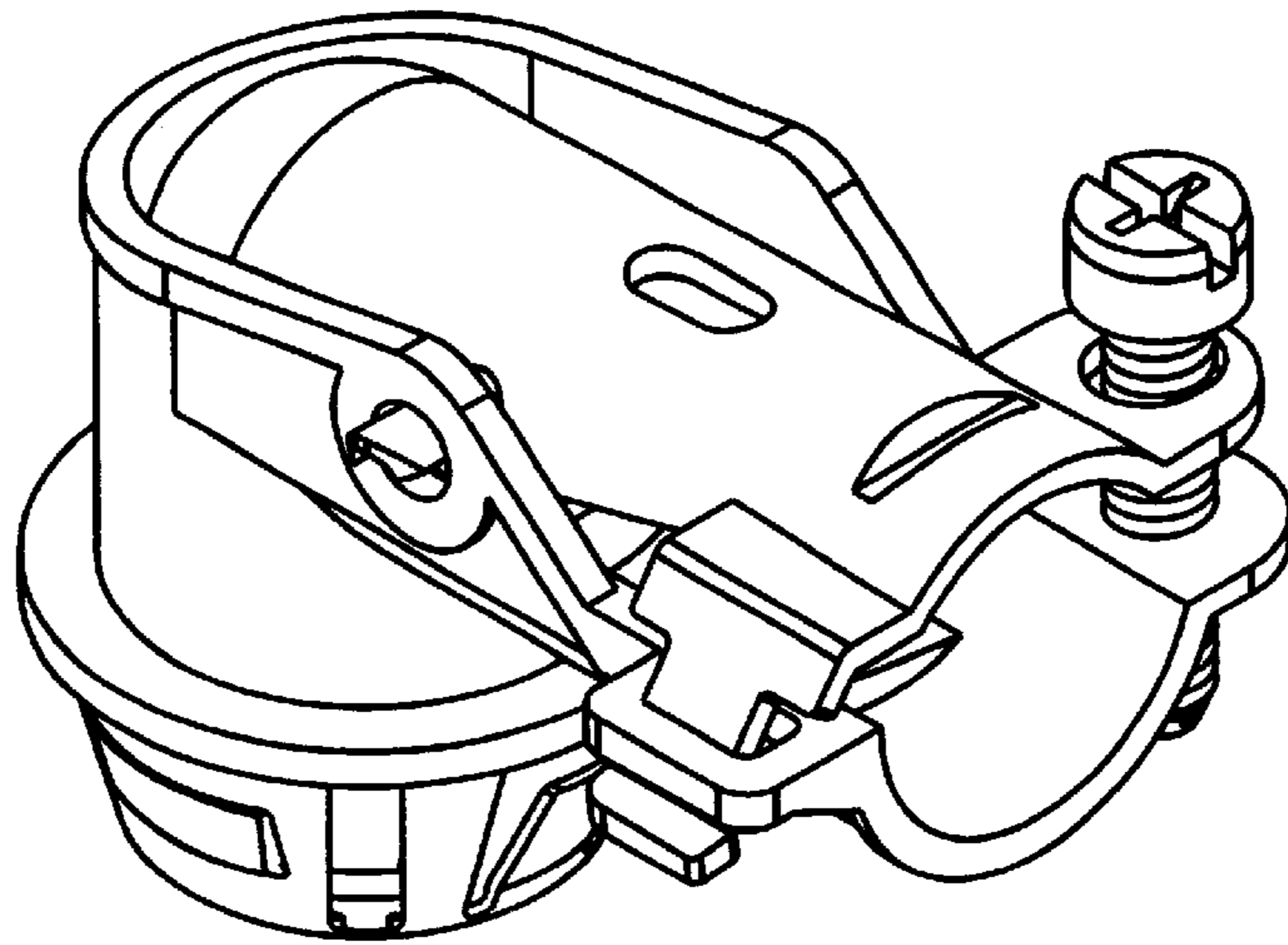


FIG. 1

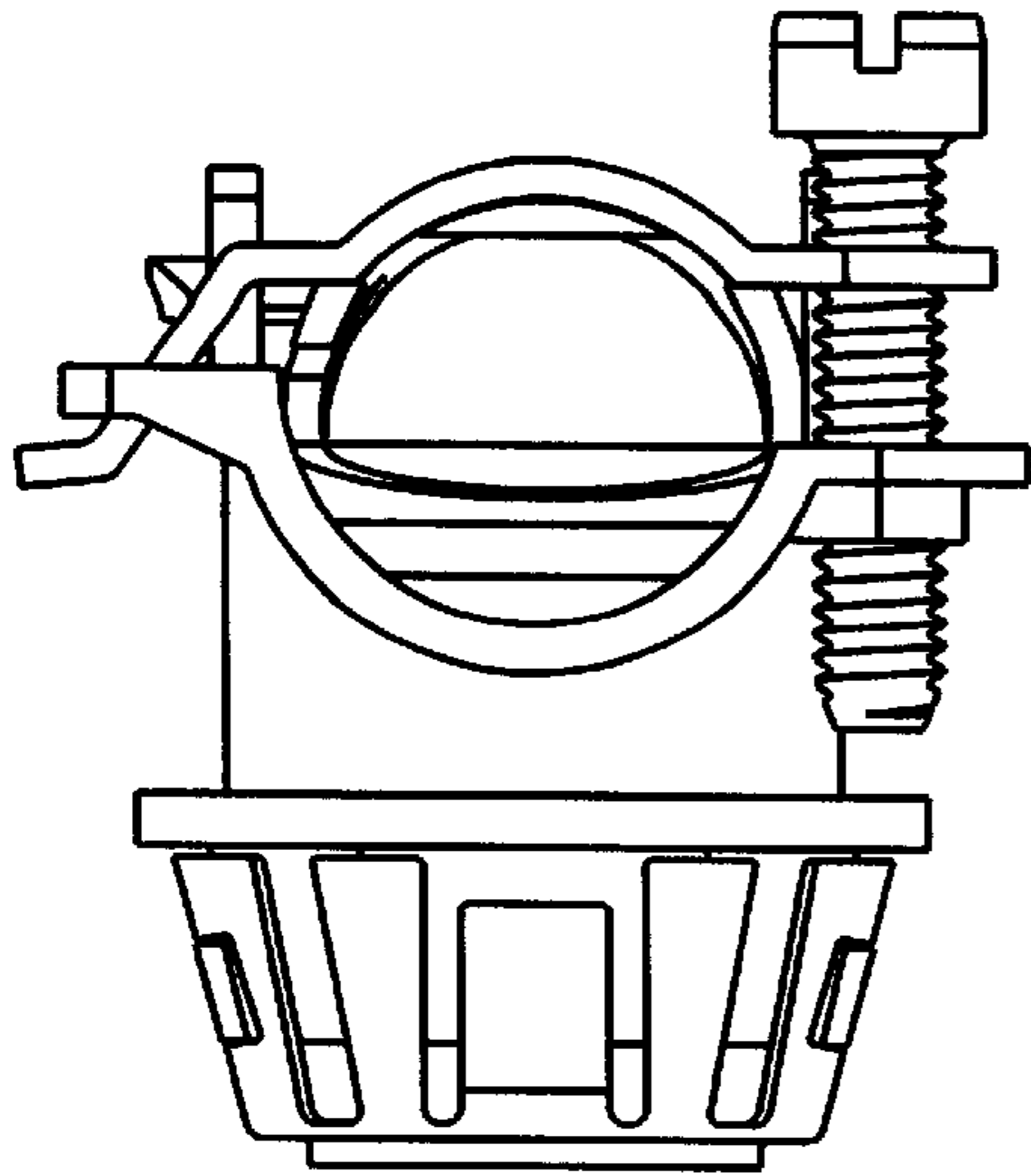


FIG. 2

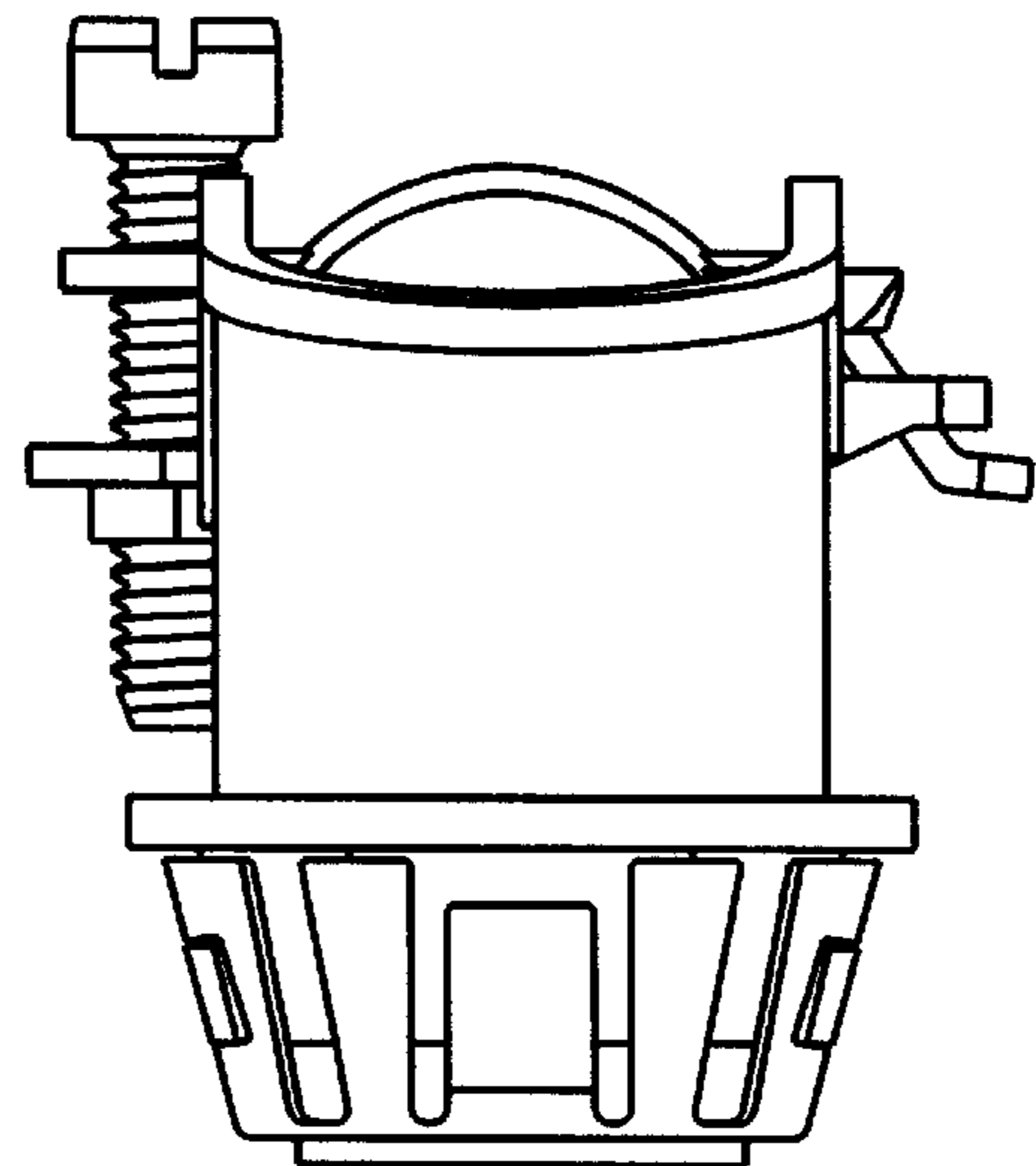


FIG. 3

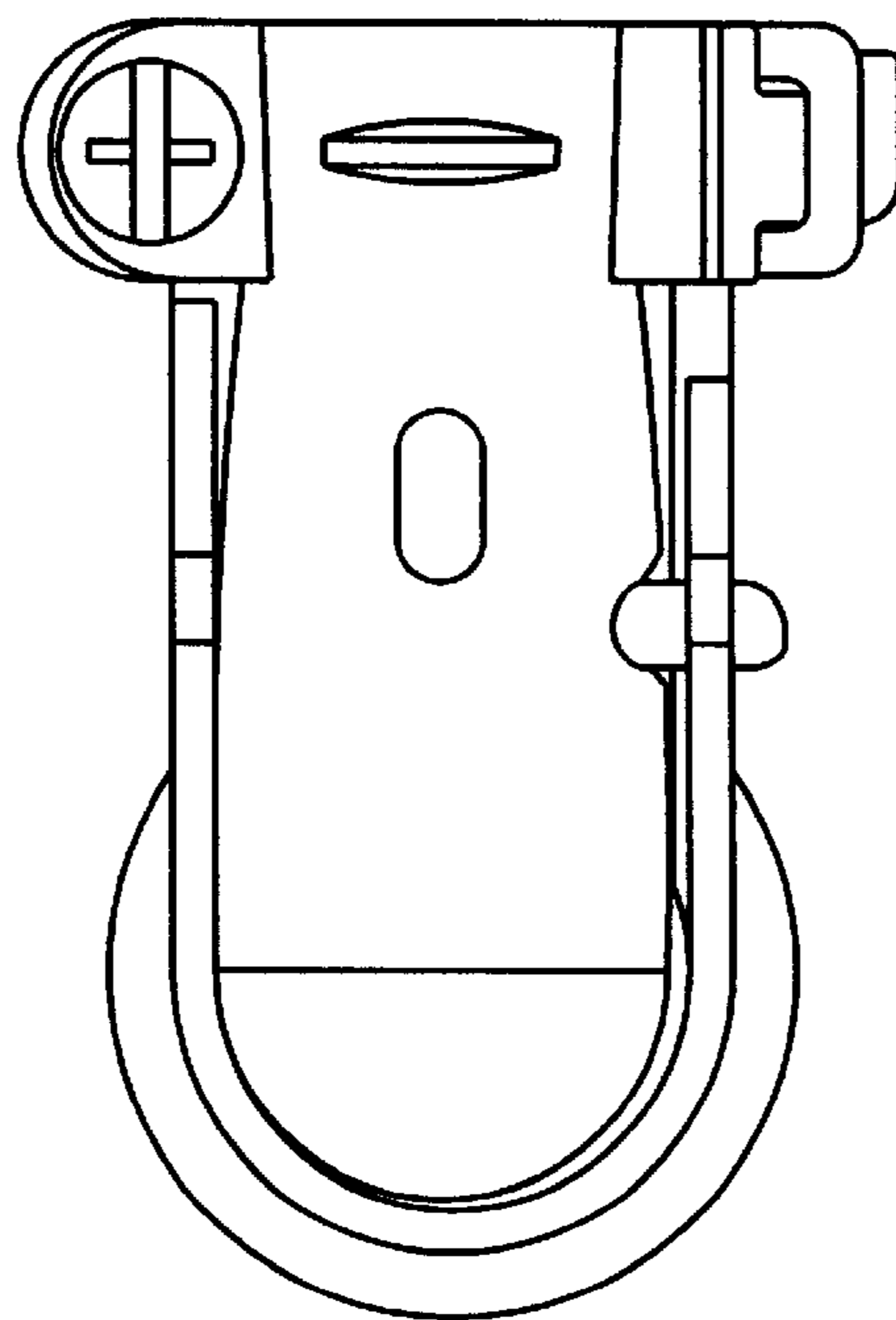


FIG. 6

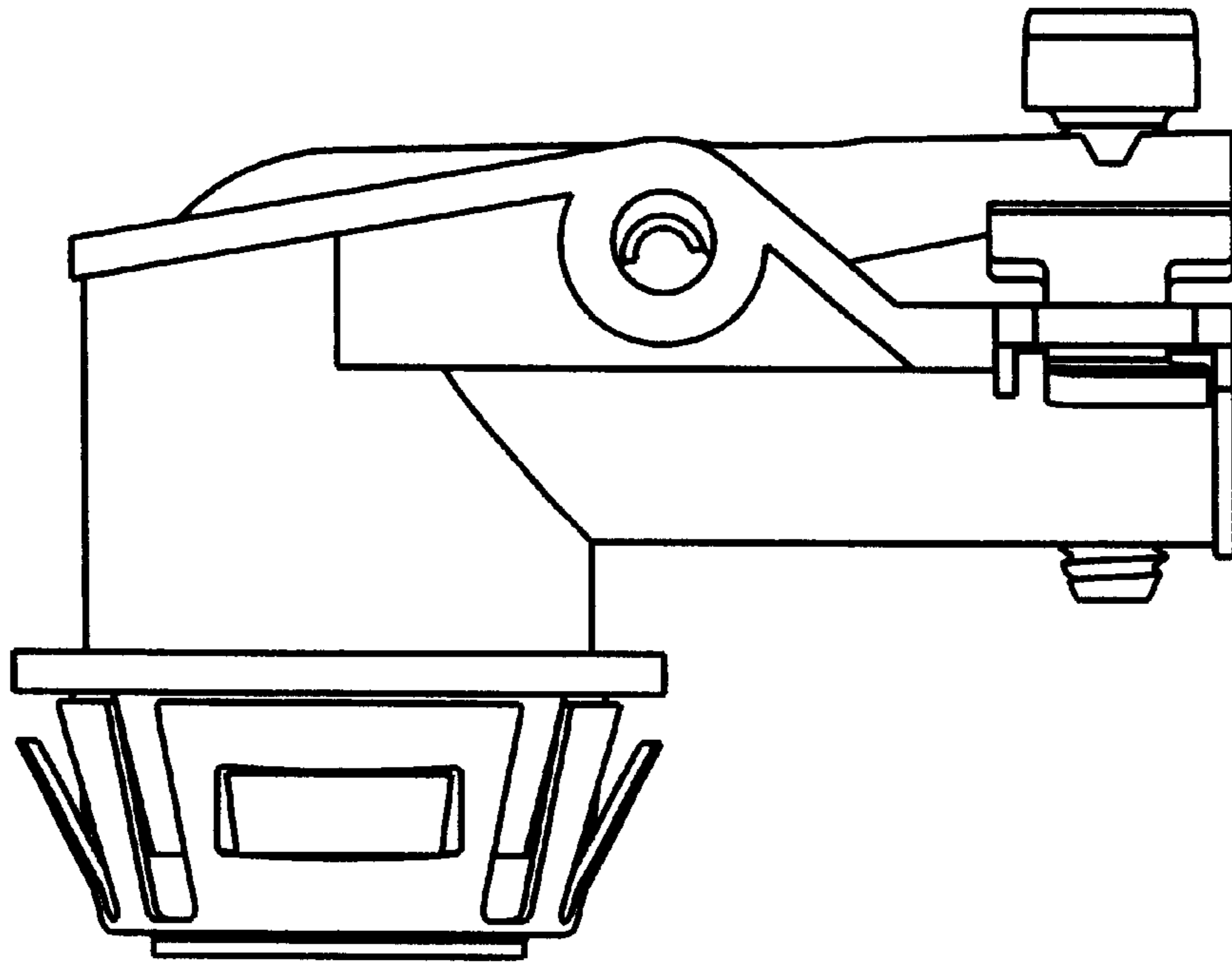


FIG. 4

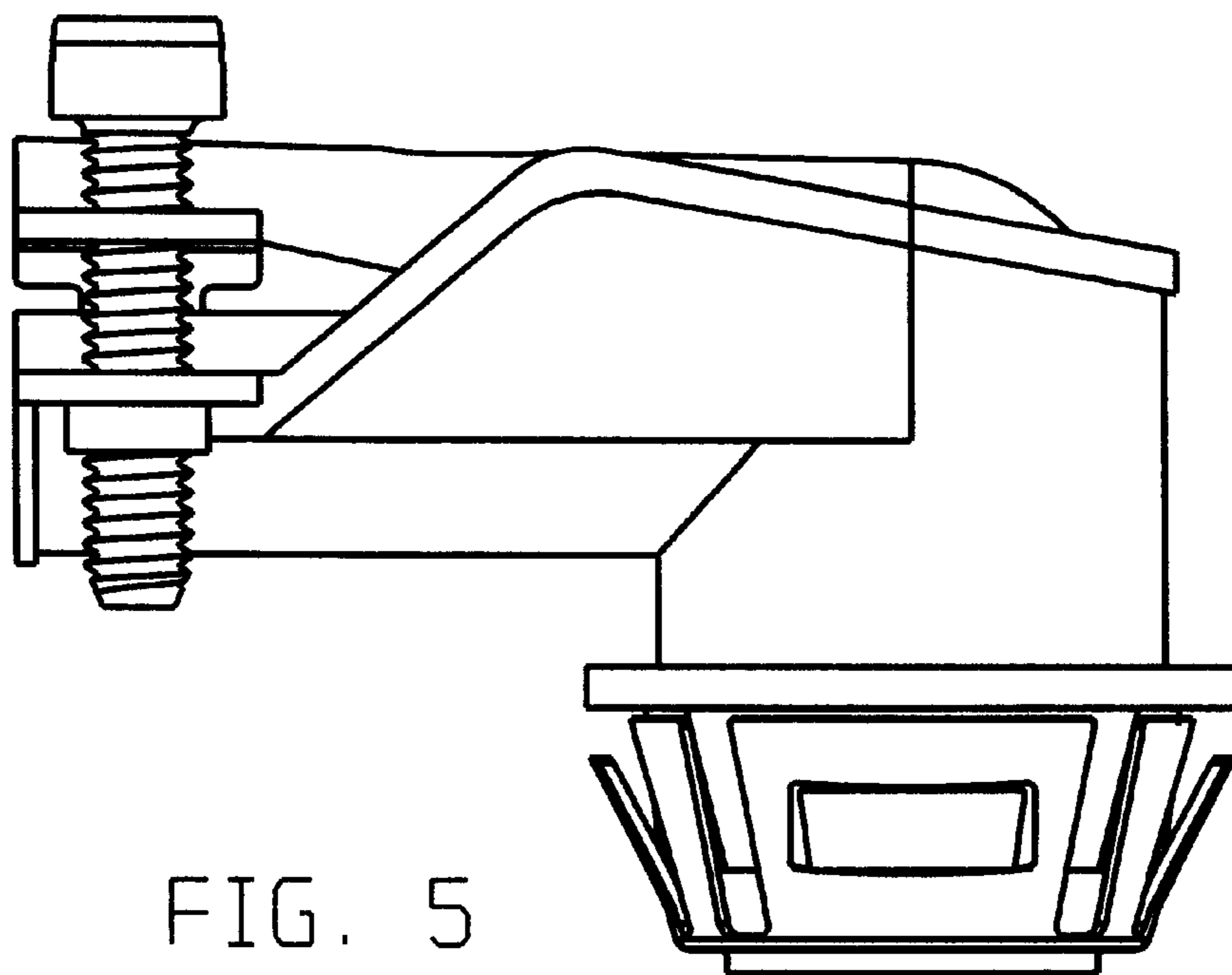


FIG. 5

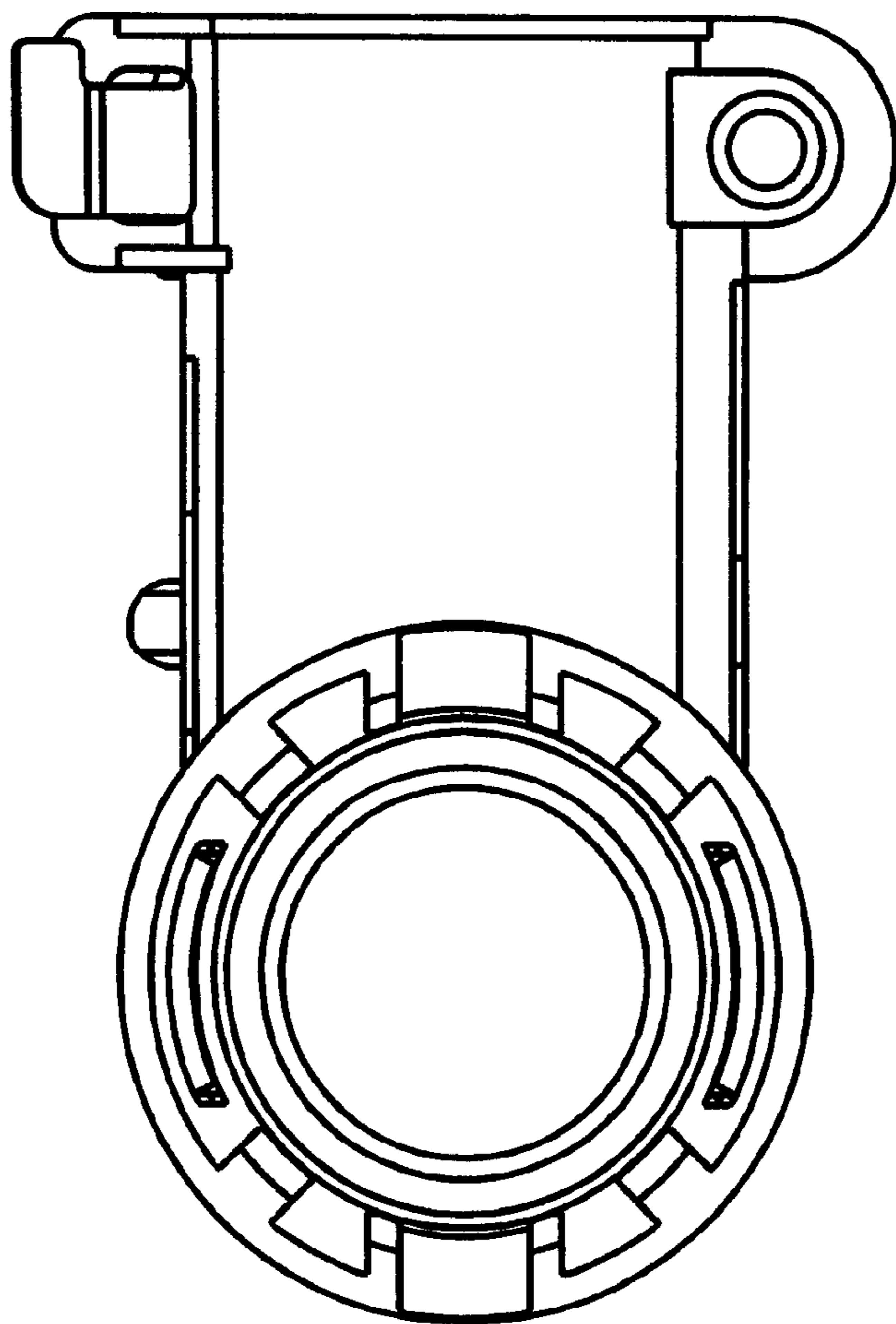


FIG. 7

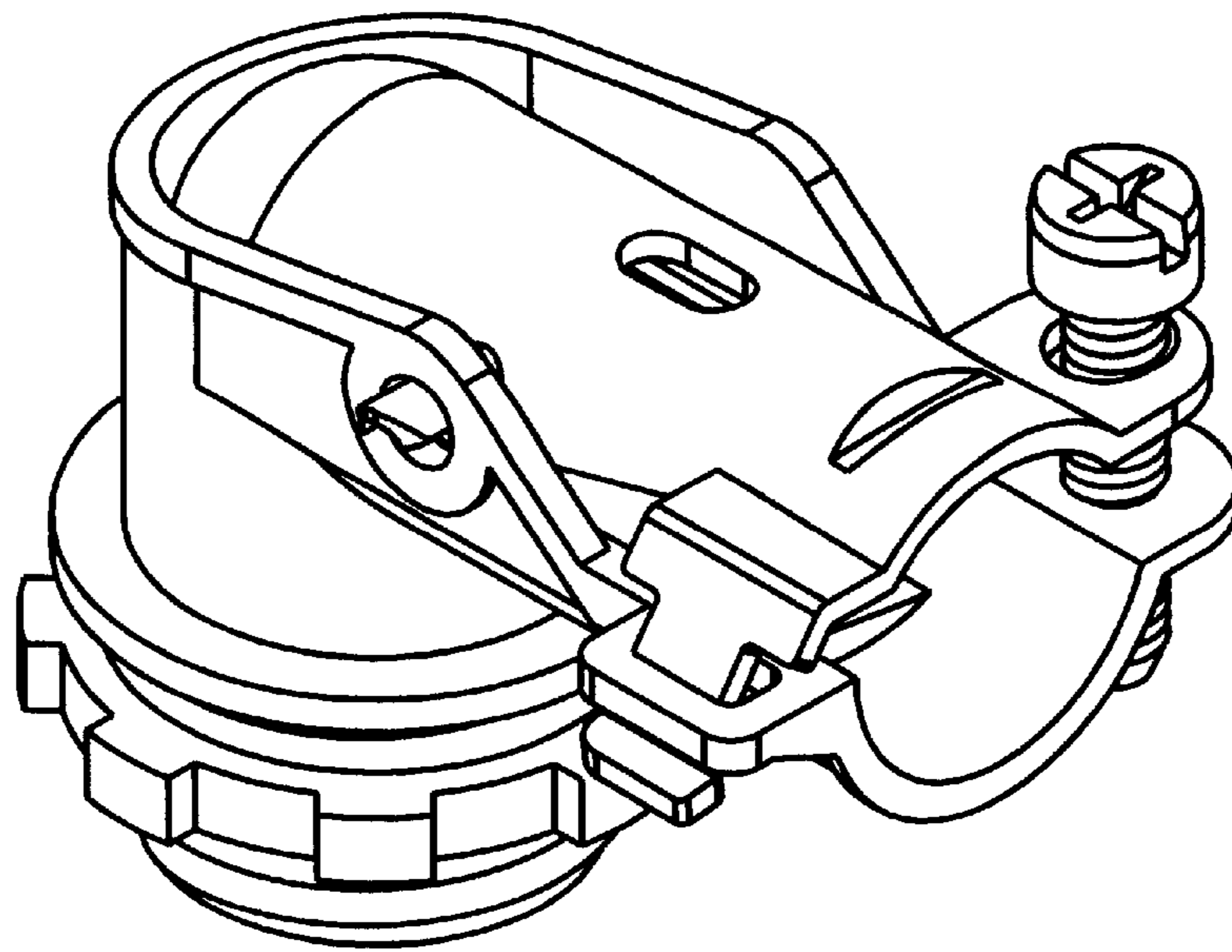


FIG. 8

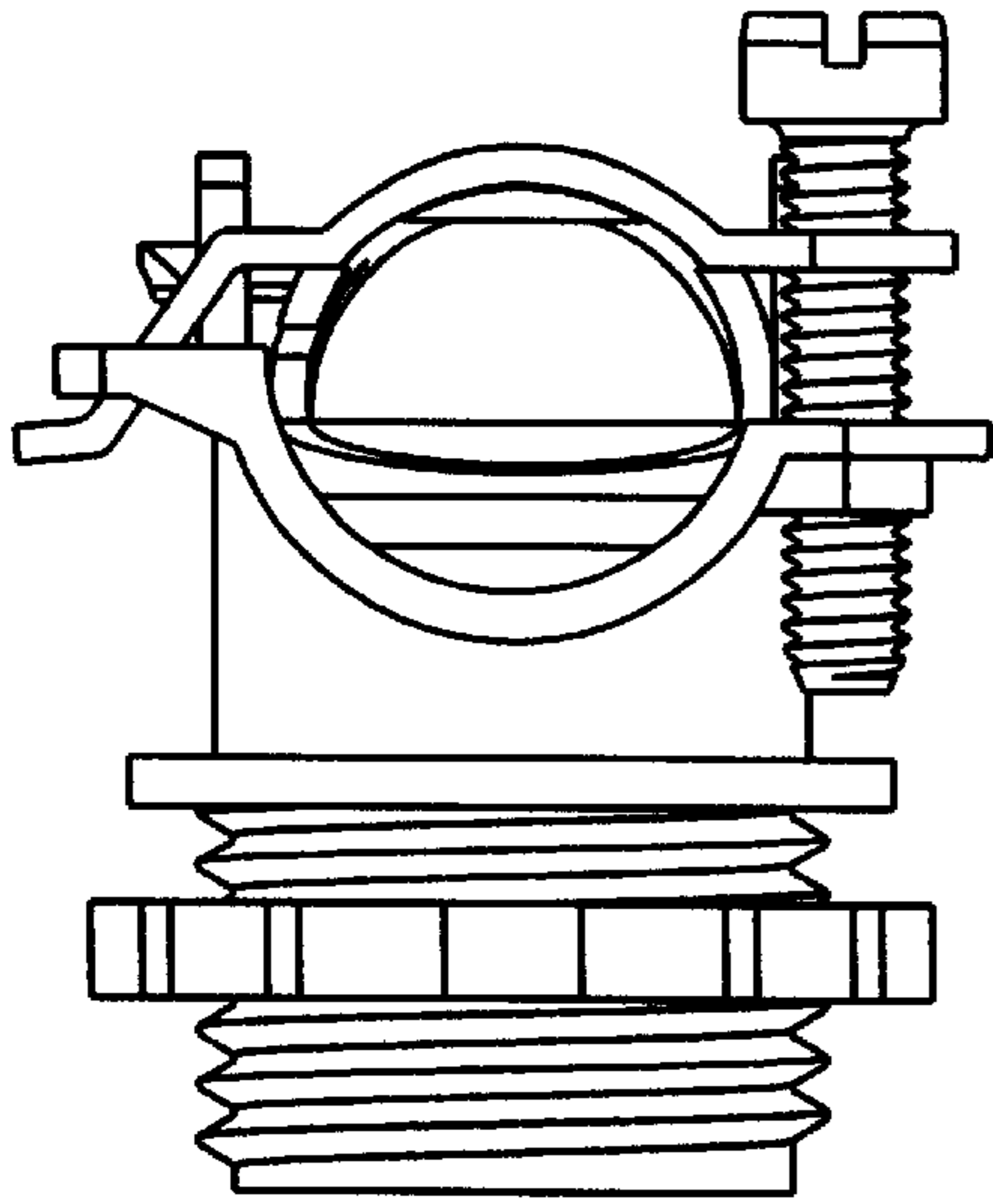


FIG. 9

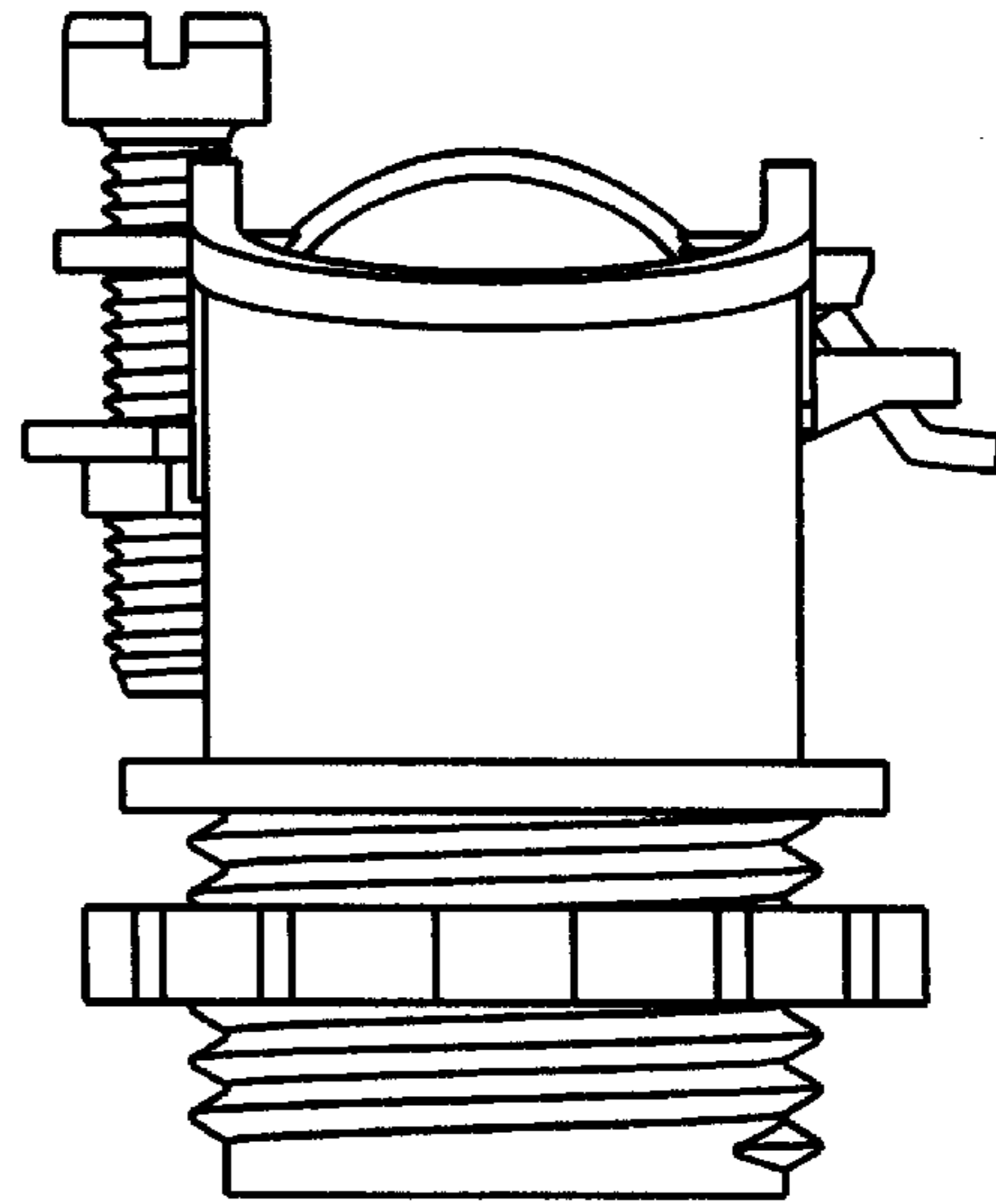


FIG. 10

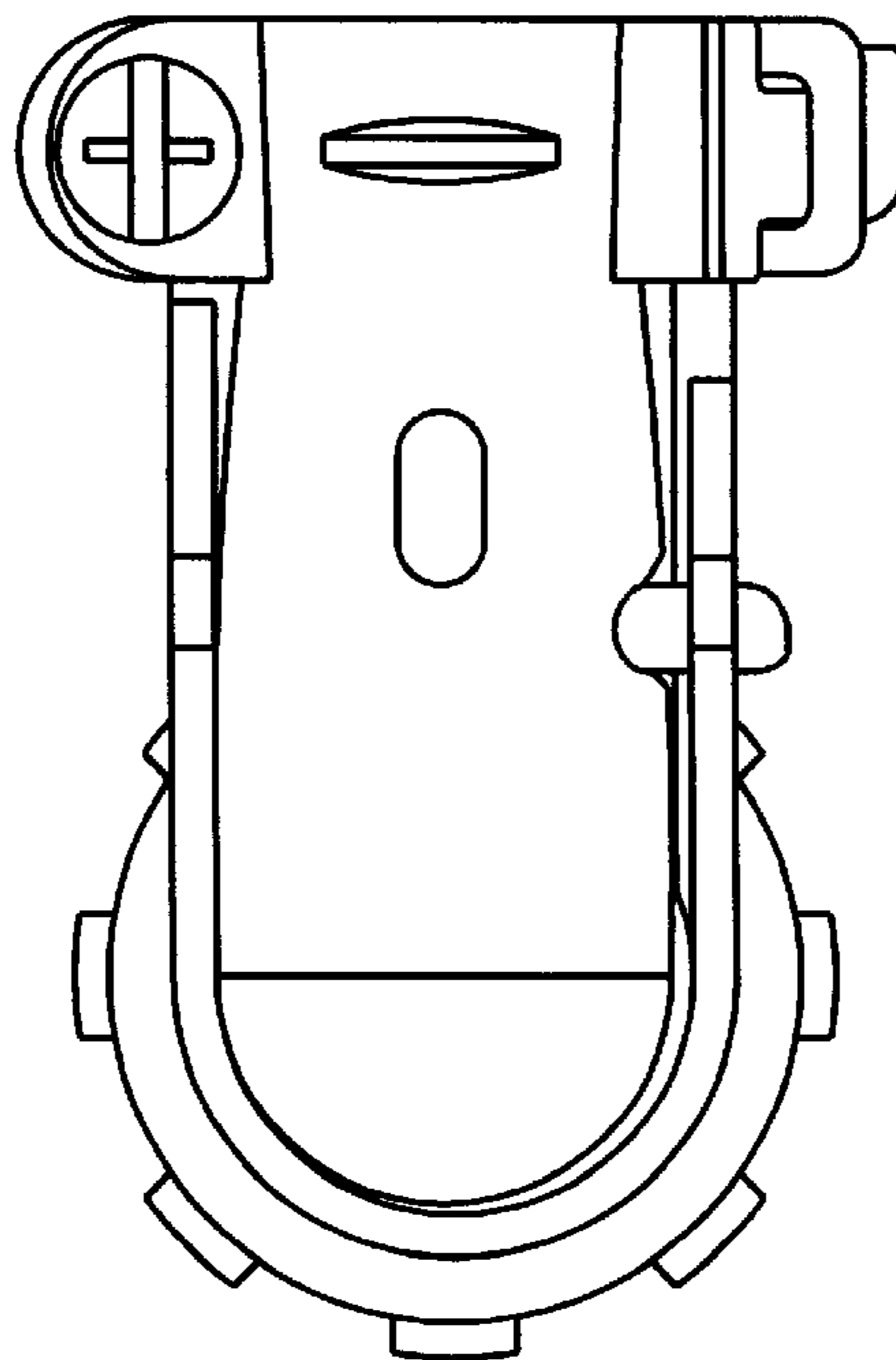
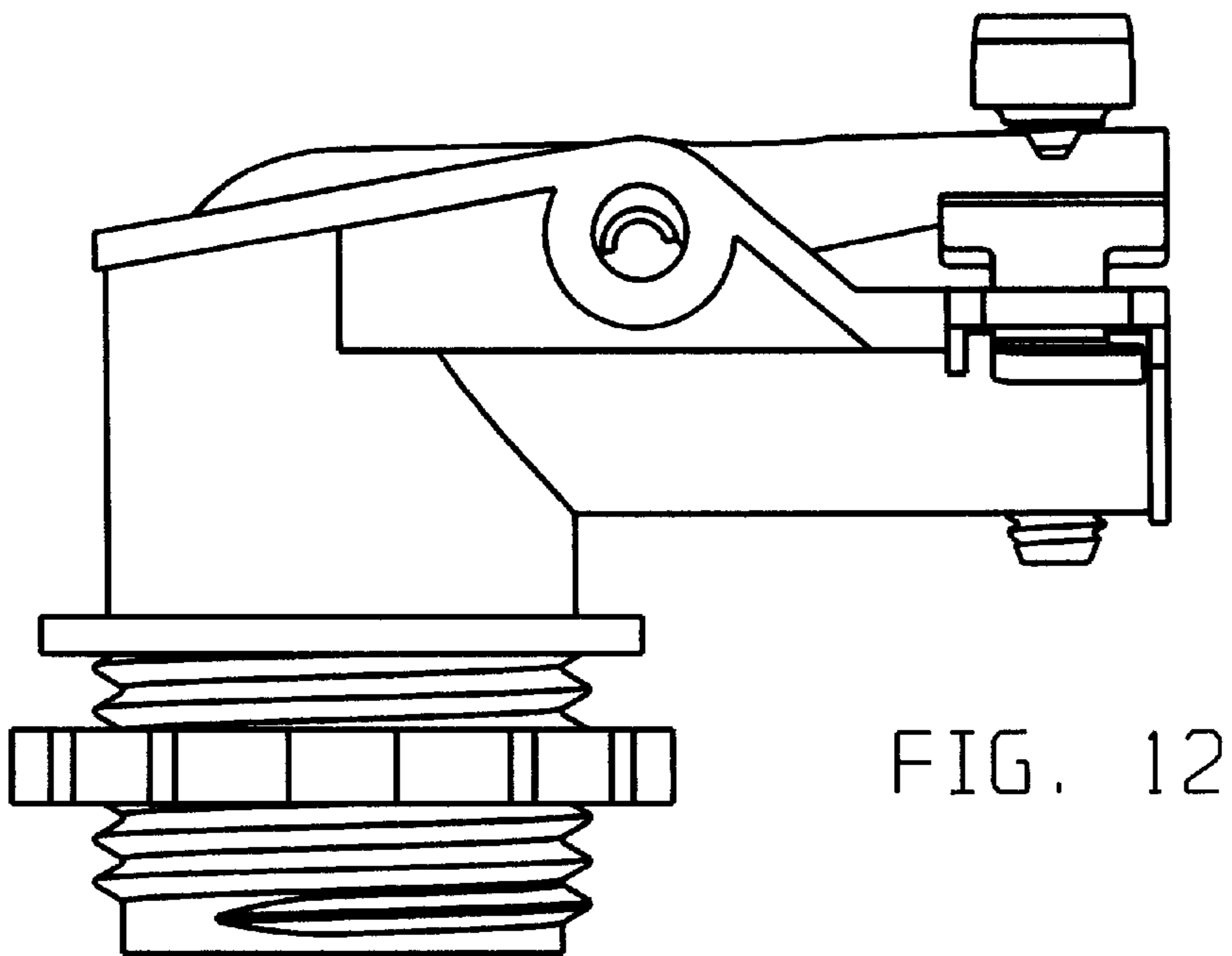
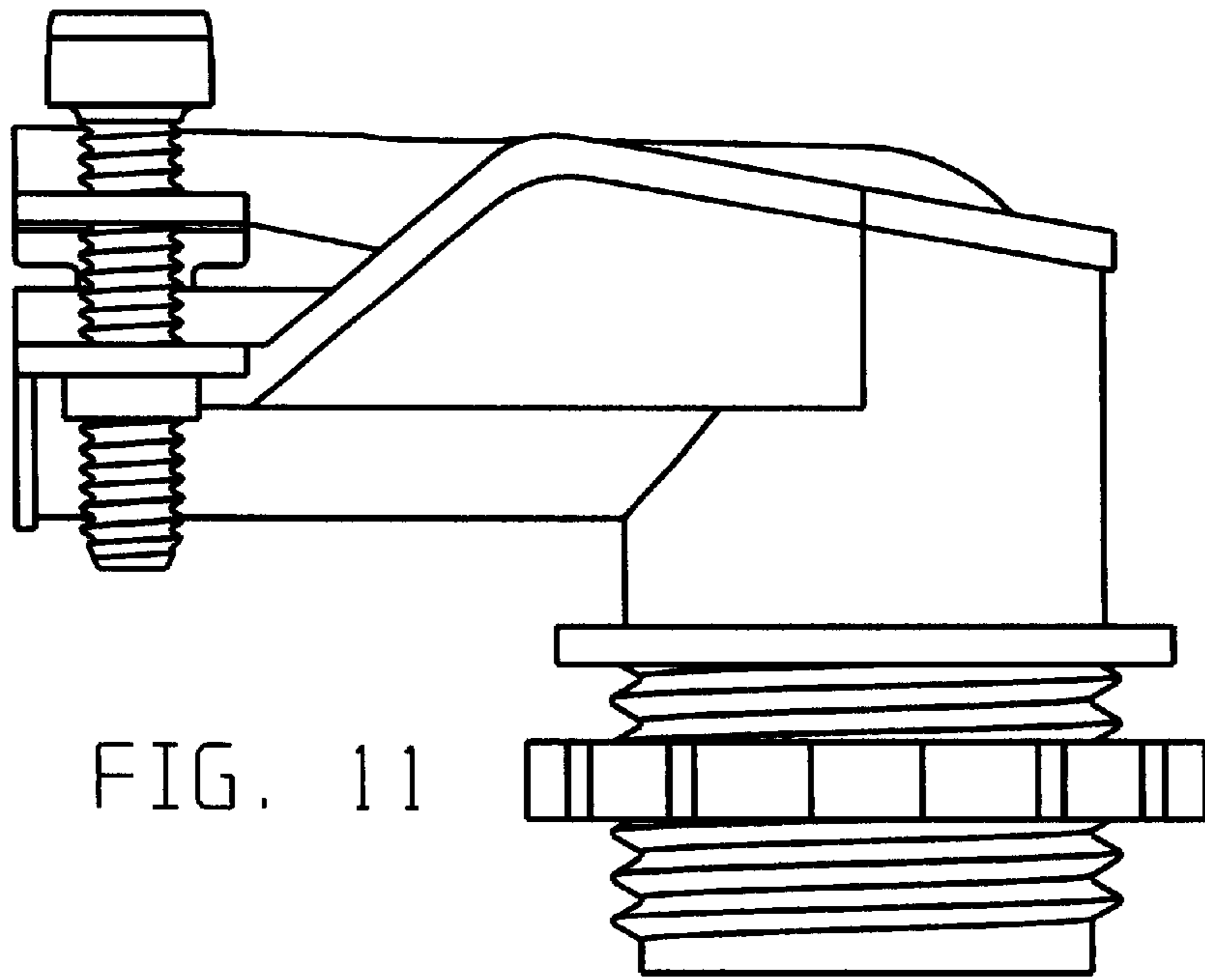


FIG. 13





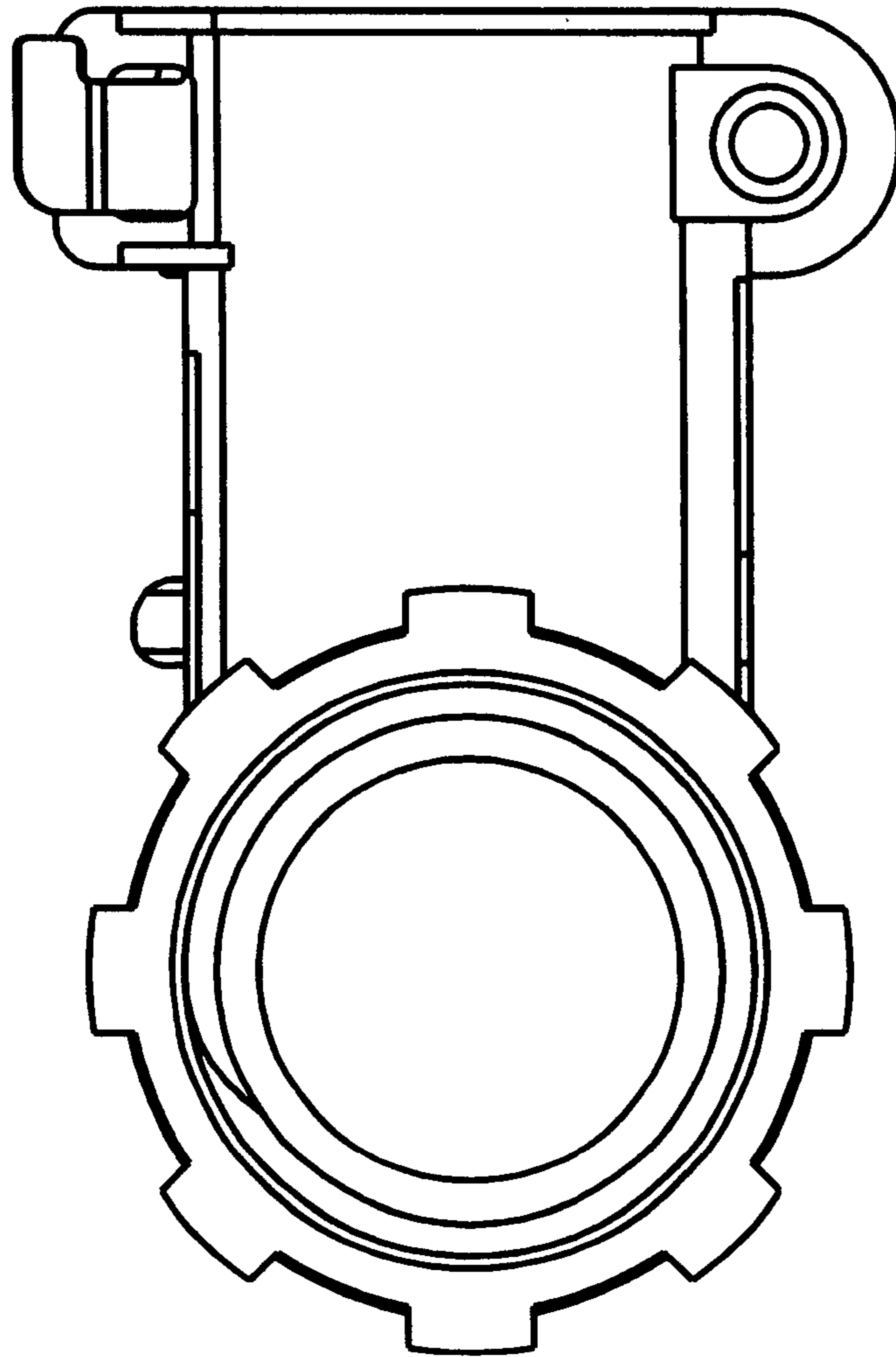


FIG. 14