



US00D530677S

(12) **United States Design Patent**  
**Orange**

(10) **Patent No.:** **US D530,677 S**

(45) **Date of Patent:** **\*\* Oct. 24, 2006**

(54) **BATTERY CABLE CLAMP**  
(75) Inventor: **Charles M. Orange**, Nashville, TN (US)  
(73) Assignee: **Batlock, LLC**, Nashville, TN (US)  
(\*\*) Term: **14 Years**

(21) Appl. No.: **29/212,490**  
(22) Filed: **Sep. 1, 2004**

(51) **LOC (8) Cl.** ..... **13-03**  
(52) **U.S. Cl.** ..... **D13/149; D8/394**  
(58) **Field of Classification Search** ..... D13/133,  
D13/148-149, 154, 184; D8/330, 382-383,  
D8/394-396; 439/266, 476.1, 754-755, 757,  
439/759, 769, 773; 248/74.1, 74.2, 229.14  
See application file for complete search history.

(56) **References Cited**  
U.S. PATENT DOCUMENTS

D365,512 S \* 12/1995 Mason ..... D8/394  
D473,130 S \* 4/2003 Leung ..... D8/396

6,773,310 B1 \* 8/2004 Davis ..... 439/773  
6,802,747 B1 \* 10/2004 Orange ..... 439/773  
6,971,925 B1 \* 12/2005 Orange ..... 439/773  
7,029,338 B1 \* 4/2006 Orange et al. .... 439/755  
2005/0250390 A1 \* 11/2005 Mac Donald ..... 439/759  
2006/0022095 A1 \* 2/2006 Heath ..... 248/62

\* cited by examiner

*Primary Examiner*—Stella Reid  
*Assistant Examiner*—Daniel Bui  
(74) *Attorney, Agent, or Firm*—Miller & Martin PLLC

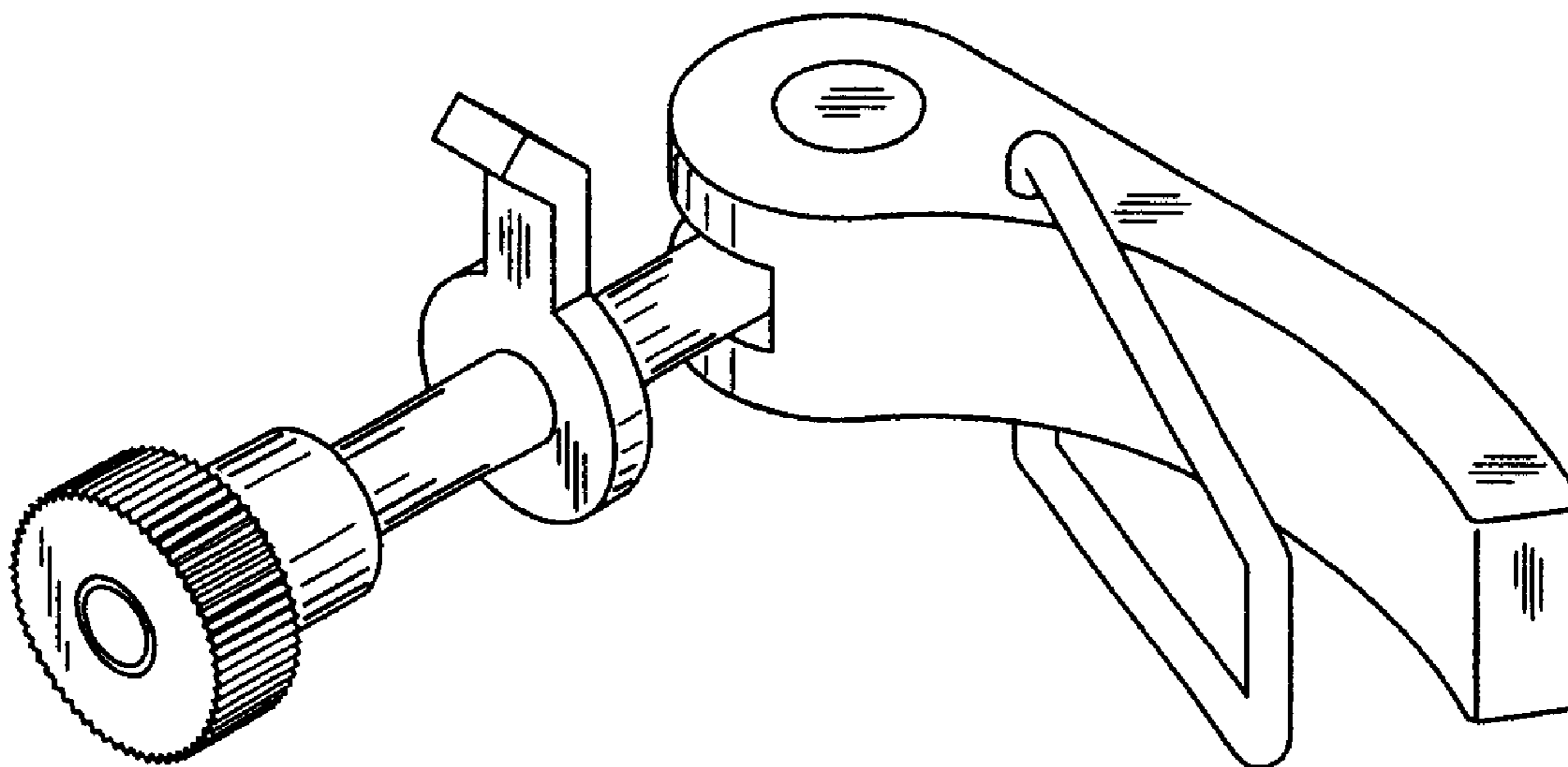
(57) **CLAIM**

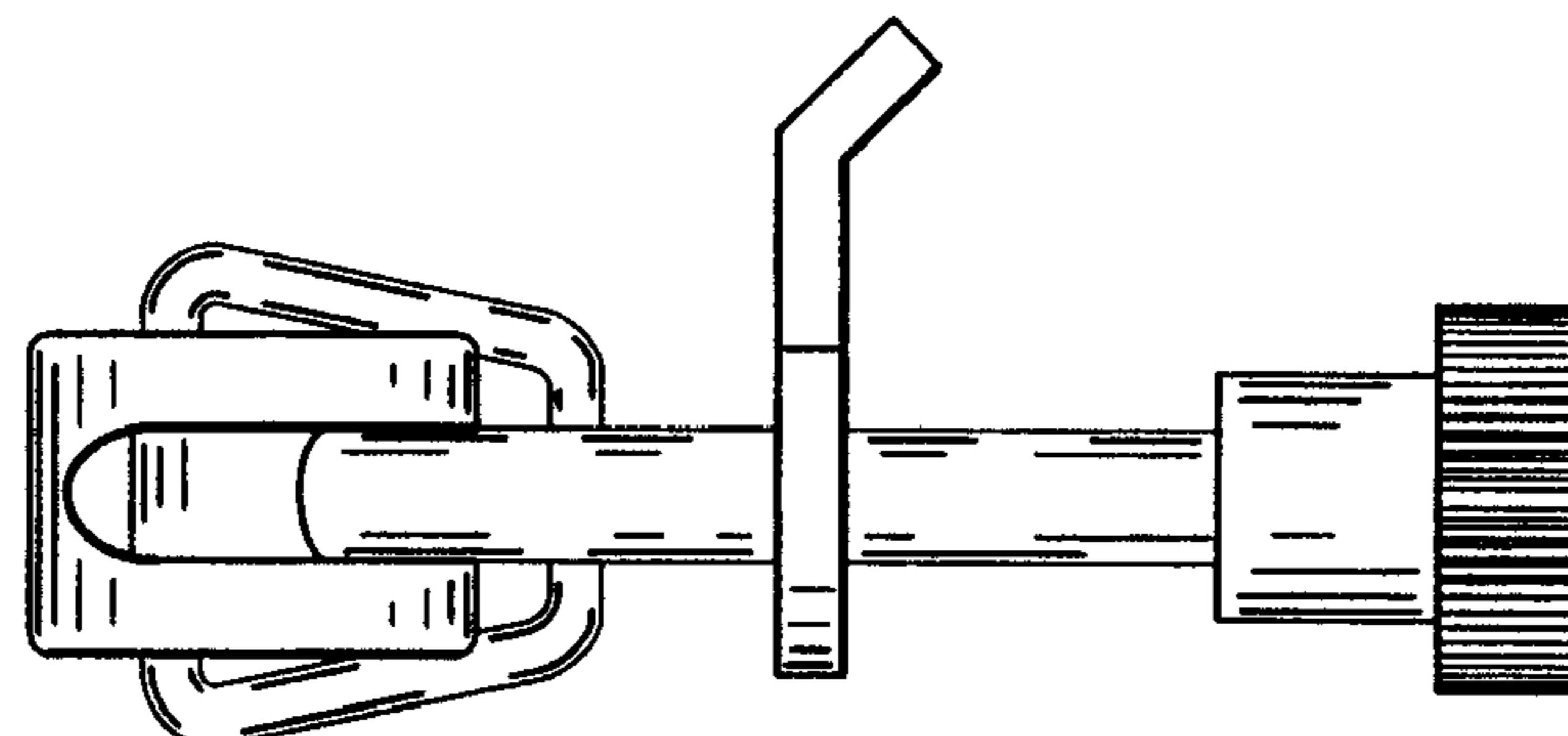
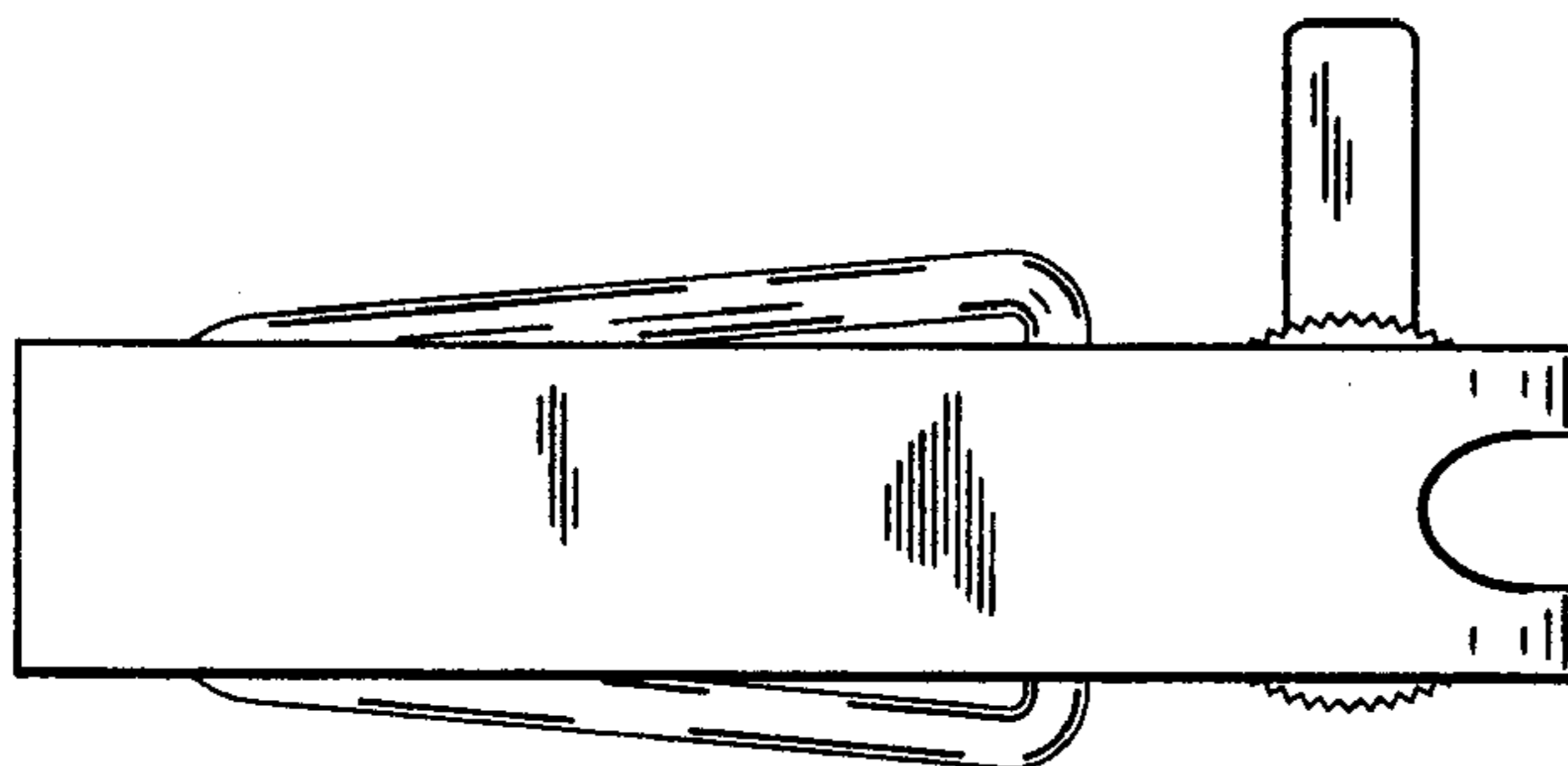
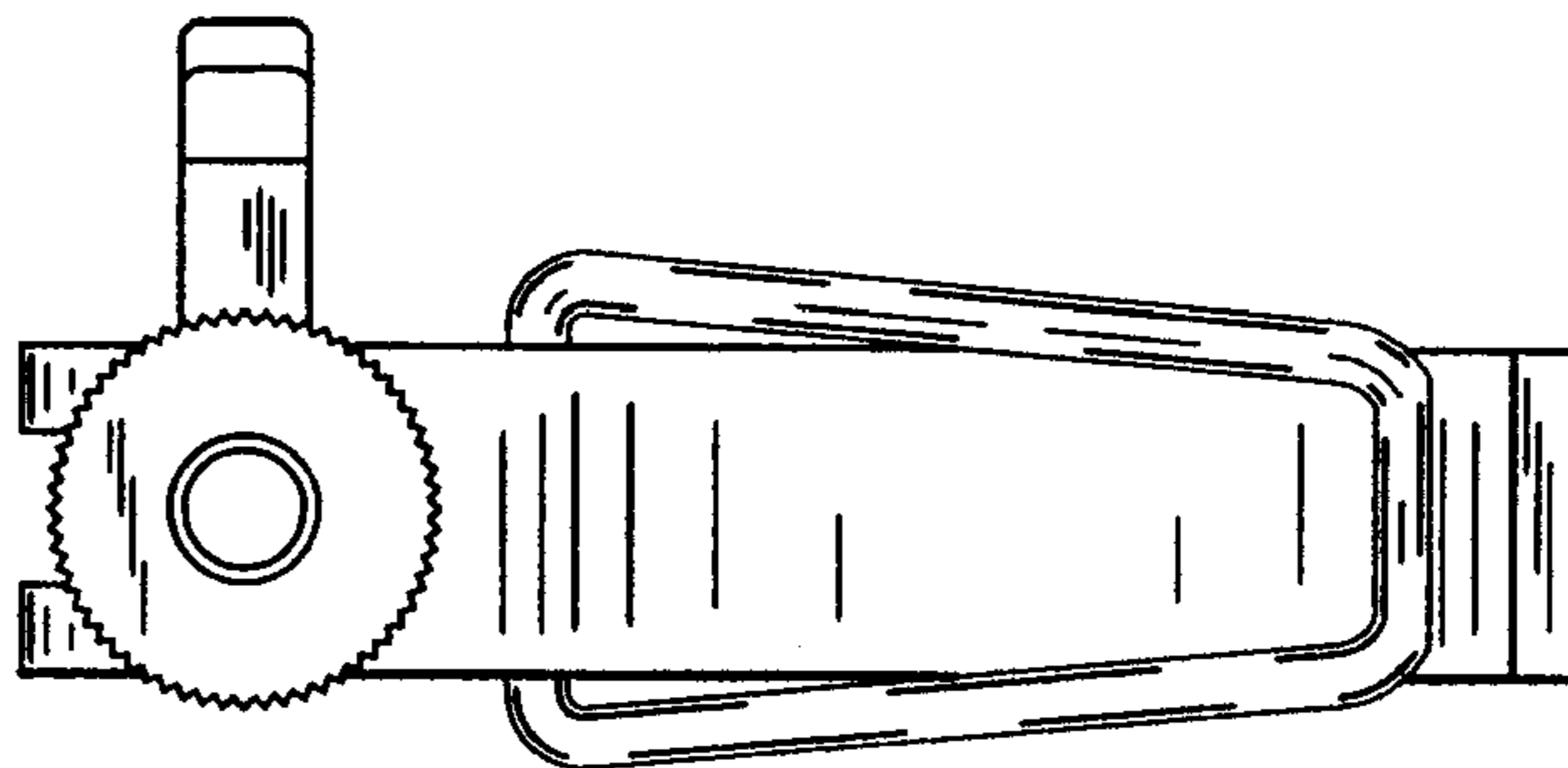
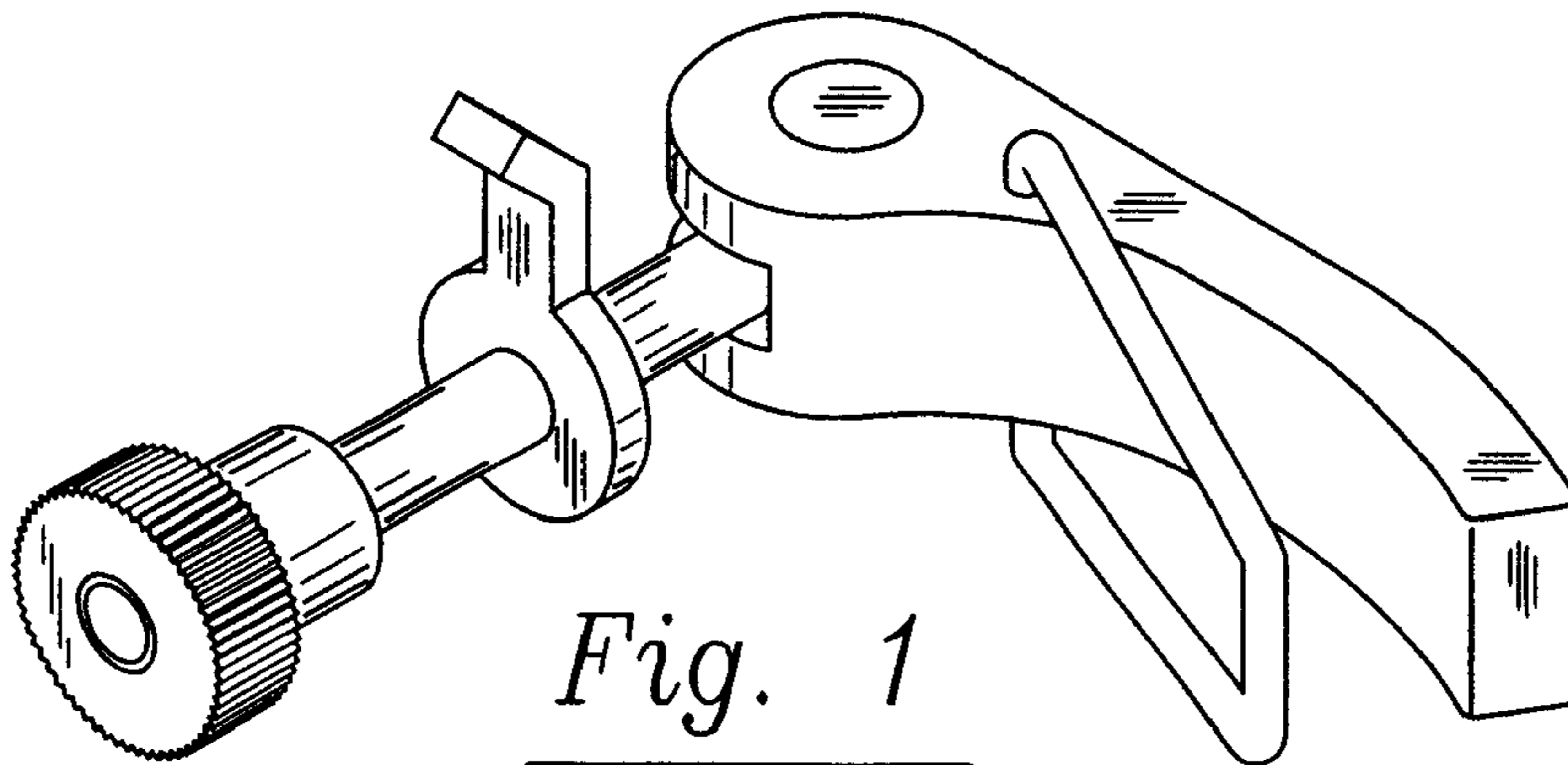
The ornamental design for a battery cable clamp, as shown.

**DESCRIPTION**

FIG. 1 is a perspective view of a battery cable clamp;  
FIG. 2 is a left side elevation view thereof;  
FIG. 3 is a right side elevation view thereof;  
FIG. 4 is a back elevation view thereof;  
FIG. 5 is a front elevation view thereof;  
FIG. 6 is a top plan view thereof; and,  
FIG. 7 is a bottom plan view thereof.

**1 Claim, 2 Drawing Sheets**





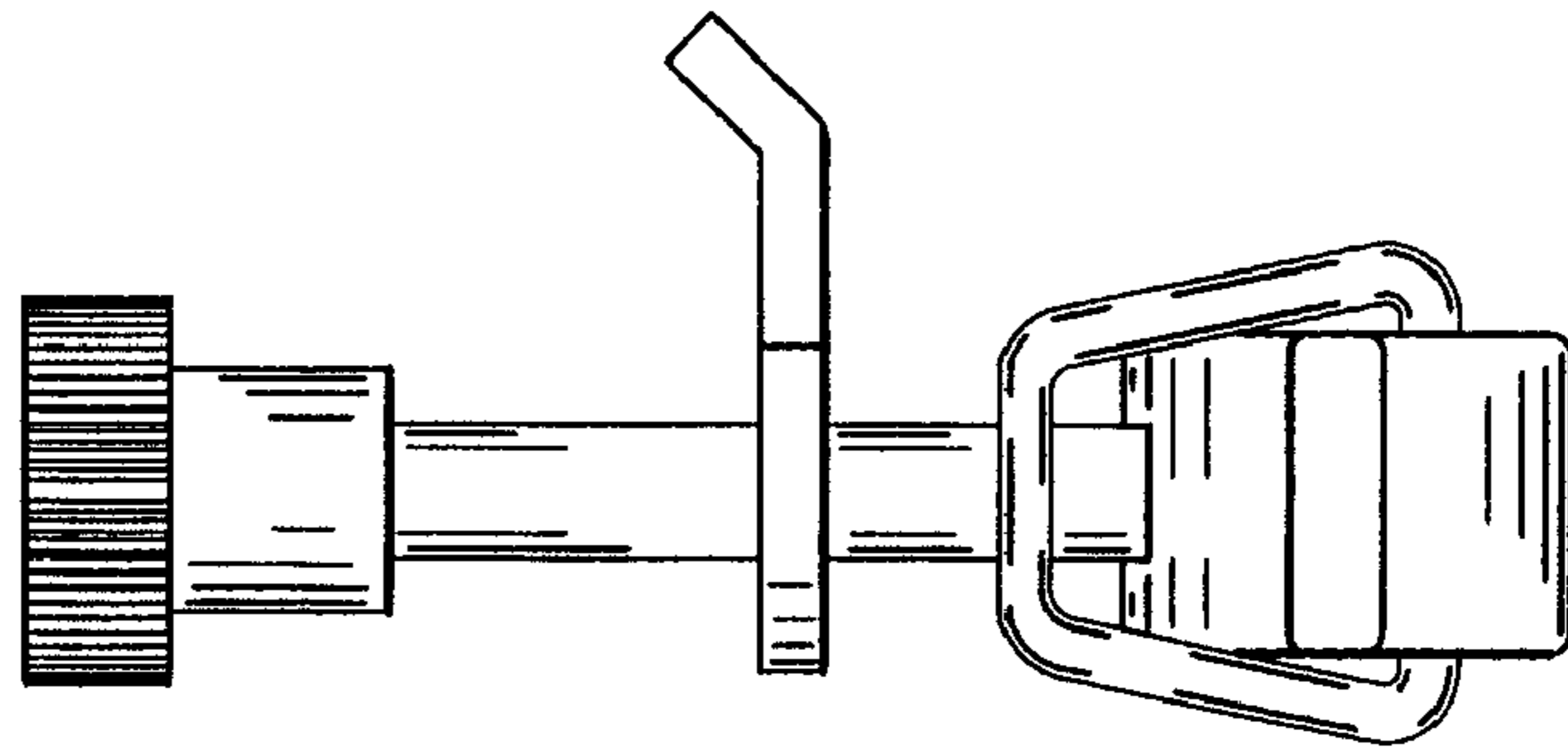


Fig. 5

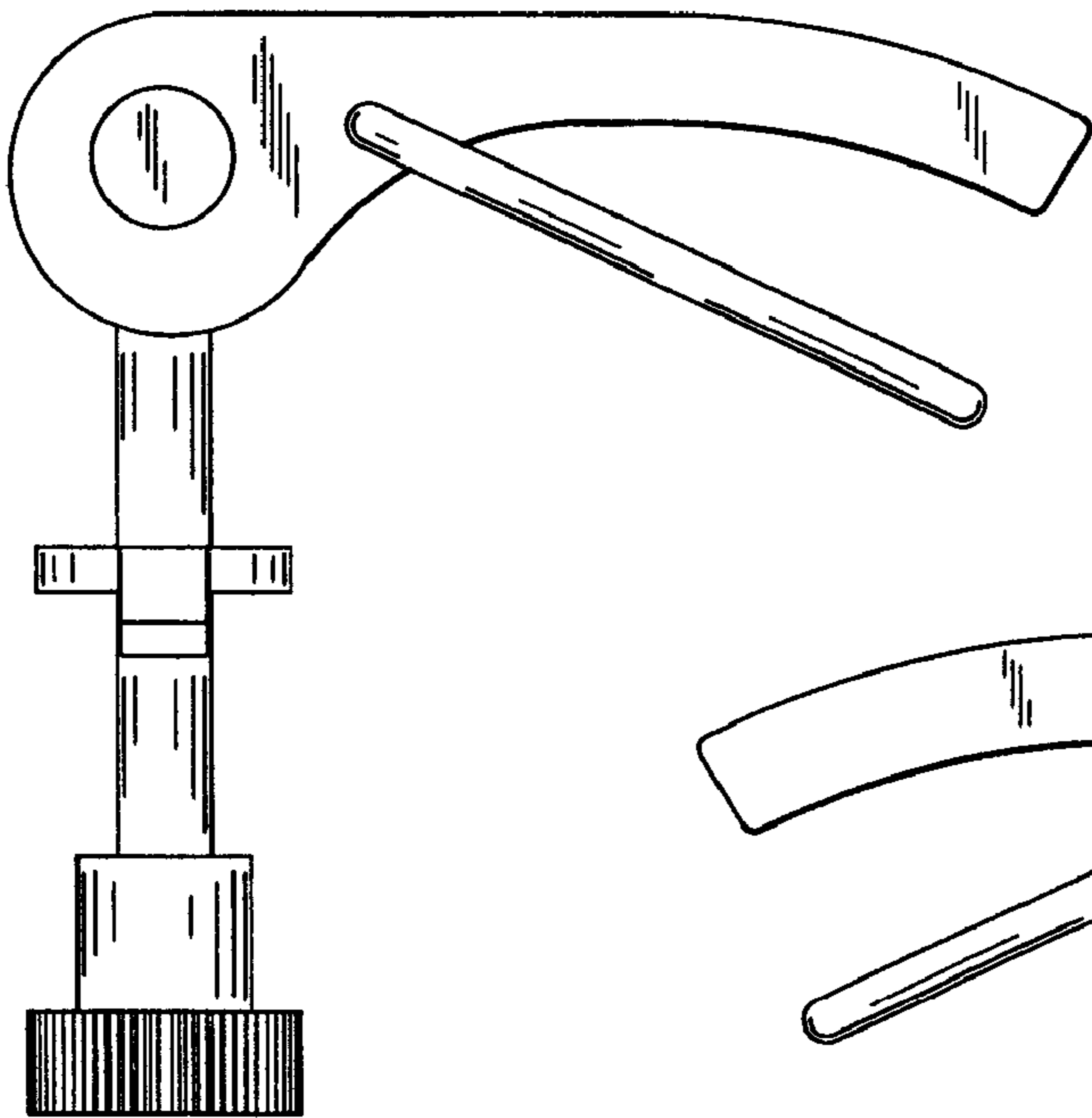


Fig. 6

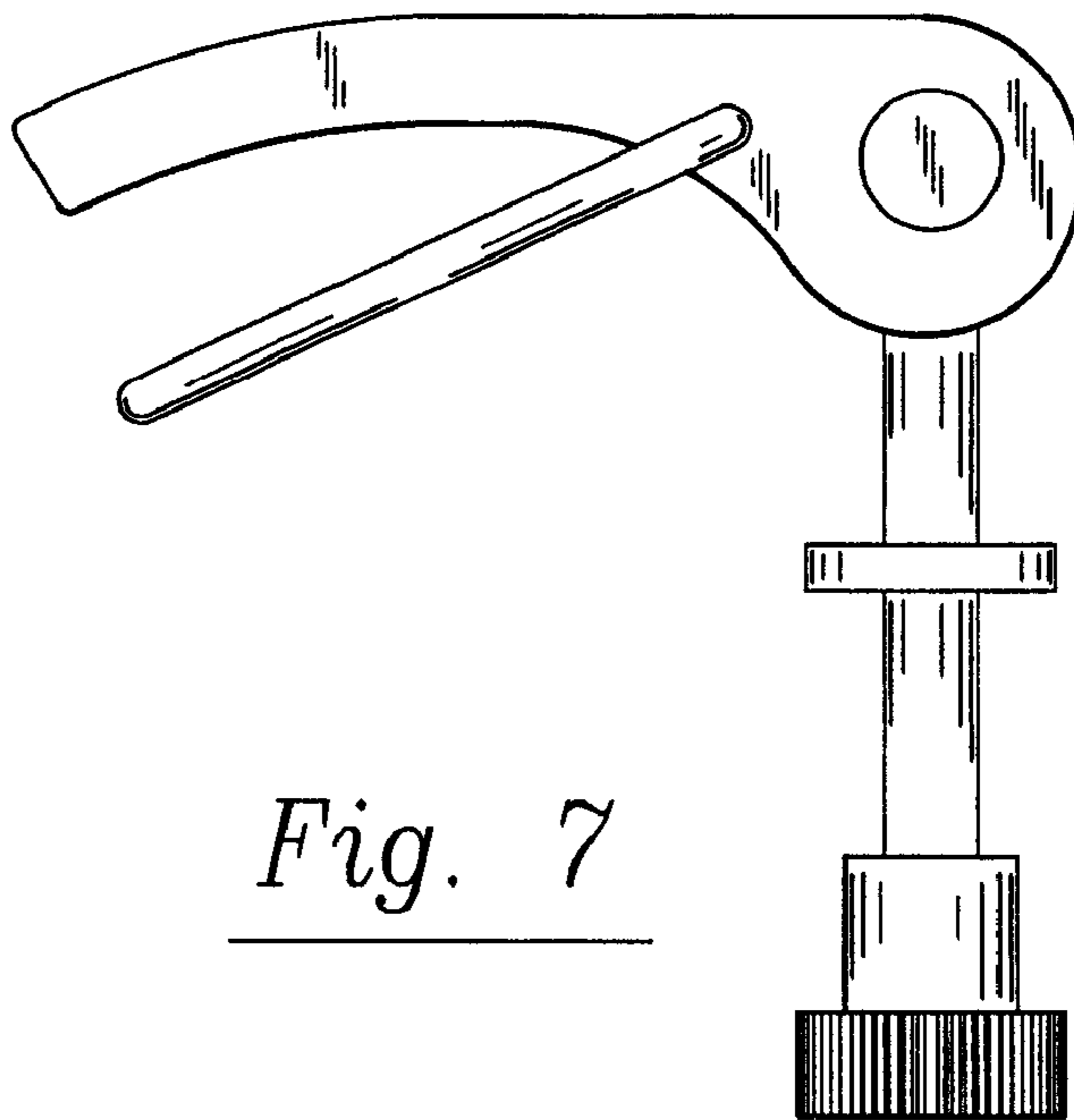


Fig. 7