



US00D530676S

(12) **United States Design Patent**
Schemm et al.

(10) **Patent No.:** **US D530,676 S**

(45) **Date of Patent:** **** Oct. 24, 2006**

(54) **WIRING BRACKET**

(75) Inventors: **Jerry Schemm**, Emporia, KS (US);
Evan Solida, Emporia, KS (US)

(73) Assignee: **Hopkins Manufacturing Corporation**,
Emporia, KS (US)

(**) Term: **14 Years**

(21) Appl. No.: **29/198,108**

(22) Filed: **Jan. 23, 2004**

(51) **LOC (8) Cl.** **13-03**

(52) **U.S. Cl.** **D13/149; D13/133; D13/147**

(58) **Field of Classification Search** D13/123,
D13/133, 146-147, 149, 154, 199; 439/34-36,
439/278, 374, 387, 527, 783, 789-790, 863
See application file for complete search history.

(56) **References Cited**

U.S. PATENT DOCUMENTS

D191,399 S	*	9/1961	Leach	D13/146
4,456,145 A	*	6/1984	Frank	220/242
D344,490 S	*	2/1994	Nociar	D13/146
D361,313 S	*	8/1995	Sai et al.	D13/146
5,800,188 A	*	9/1998	Barber et al.	439/142
D413,898 S	*	9/1999	Lohrding et al.	D14/256

6,019,386 A	*	2/2000	Morelock	280/507
6,076,691 A	*	6/2000	Belinky et al.	220/3.9
D455,720 S	*	4/2002	Bentz et al.	D13/154
6,685,502 B1		2/2004	Wheeler		
2004/0175975 A1	*	9/2004	Drane	439/138

* cited by examiner

Primary Examiner—Stella Reid

Assistant Examiner—Daniel Bui

(74) *Attorney, Agent, or Firm*—Hovey Williams LLP

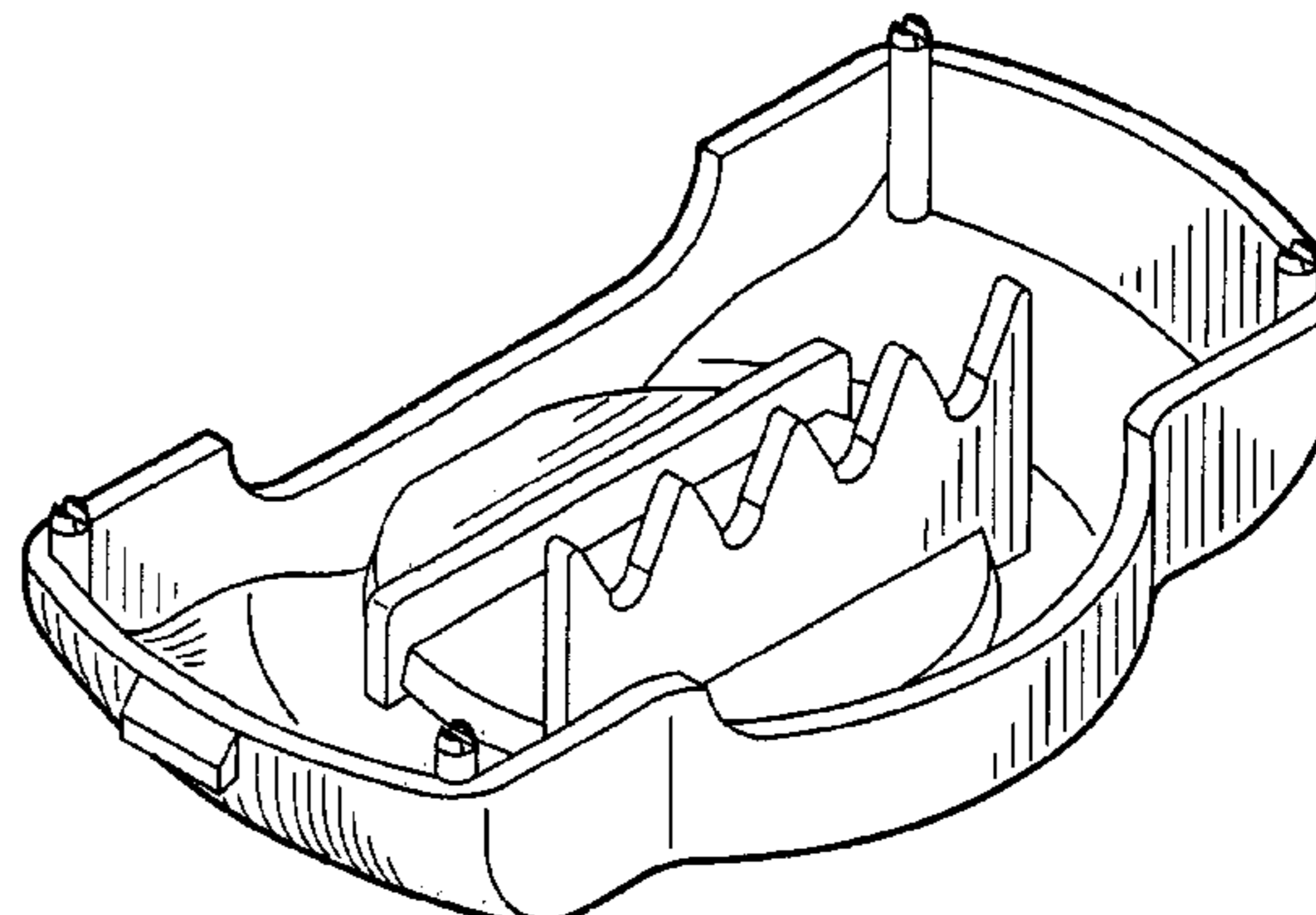
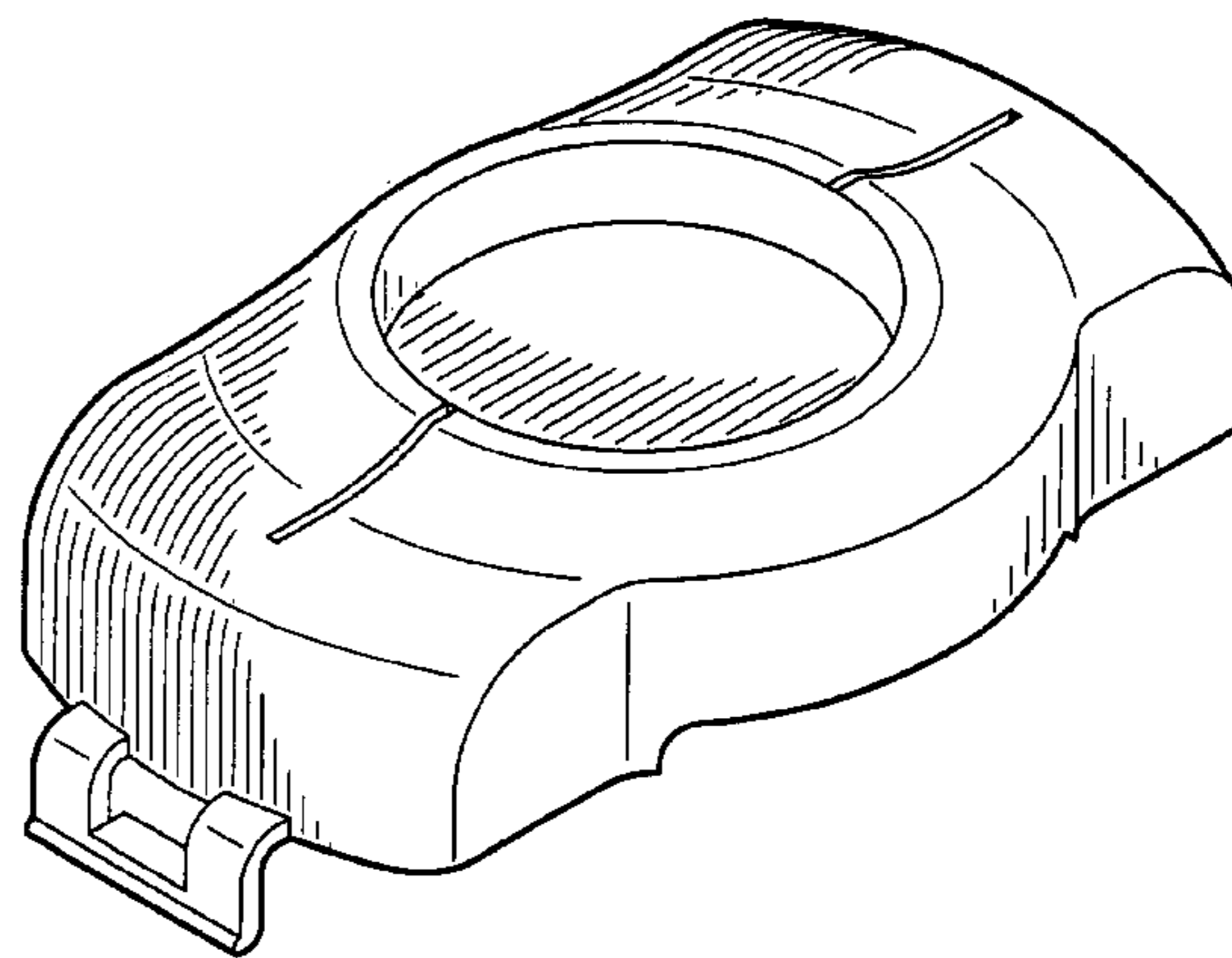
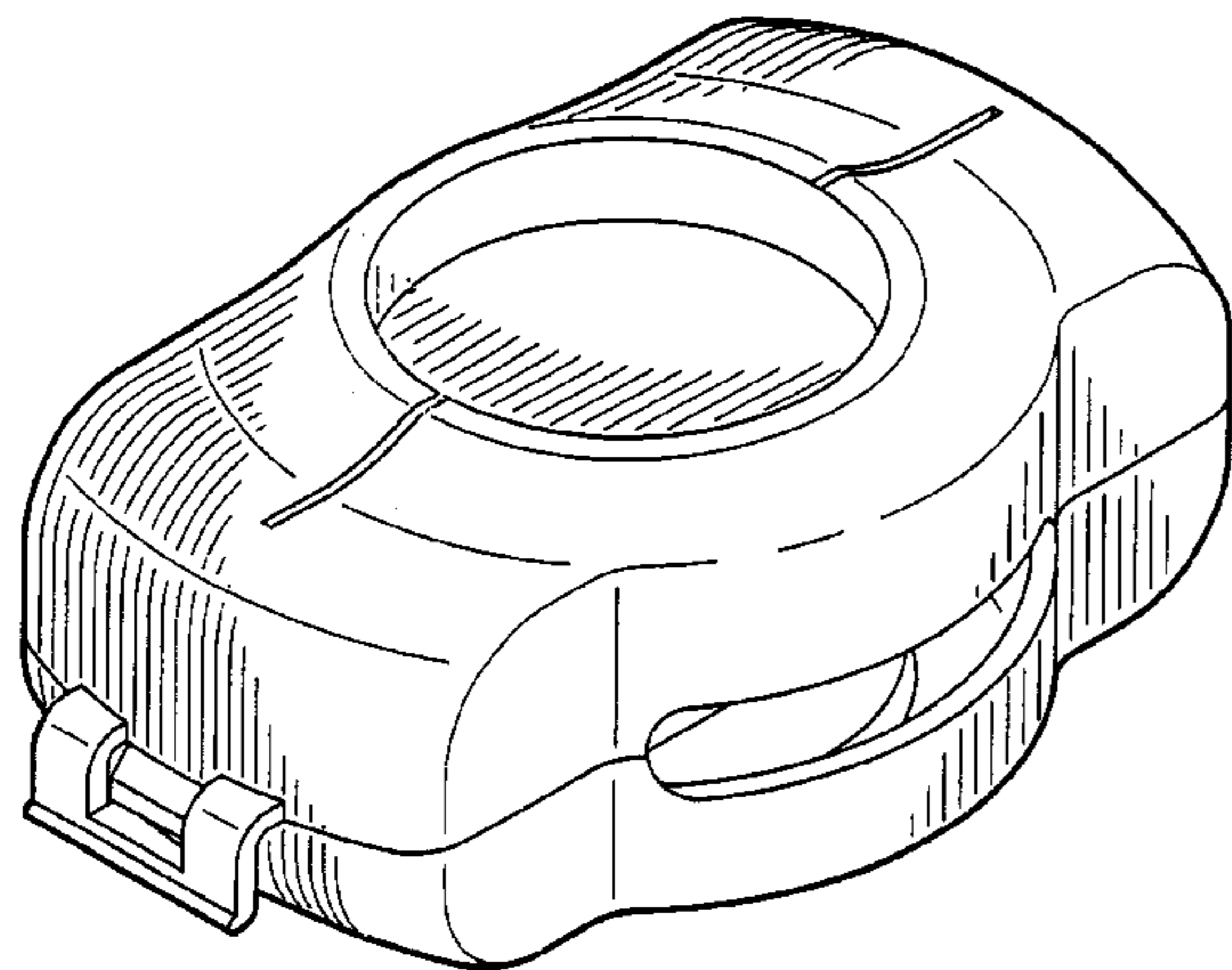
(57) **CLAIM**

The ornamental design for a wiring bracket, as shown and described.

DESCRIPTION

FIG. 1 is a perspective view of a wiring bracket, showing our new design;
FIG. 2 is a perspective view of the upper portion thereof;
FIG. 3 is a perspective view of the lower portion thereof;
FIG. 4 is a rear elevation view thereof;
FIG. 5 is a top plan view thereof;
FIG. 6 is a front elevation view thereof;
FIG. 7 is a side elevation view thereof, the opposite side elevation view is a mirror image thereto; and,
FIG. 8 is a bottom plan view thereof.

1 Claim, 4 Drawing Sheets



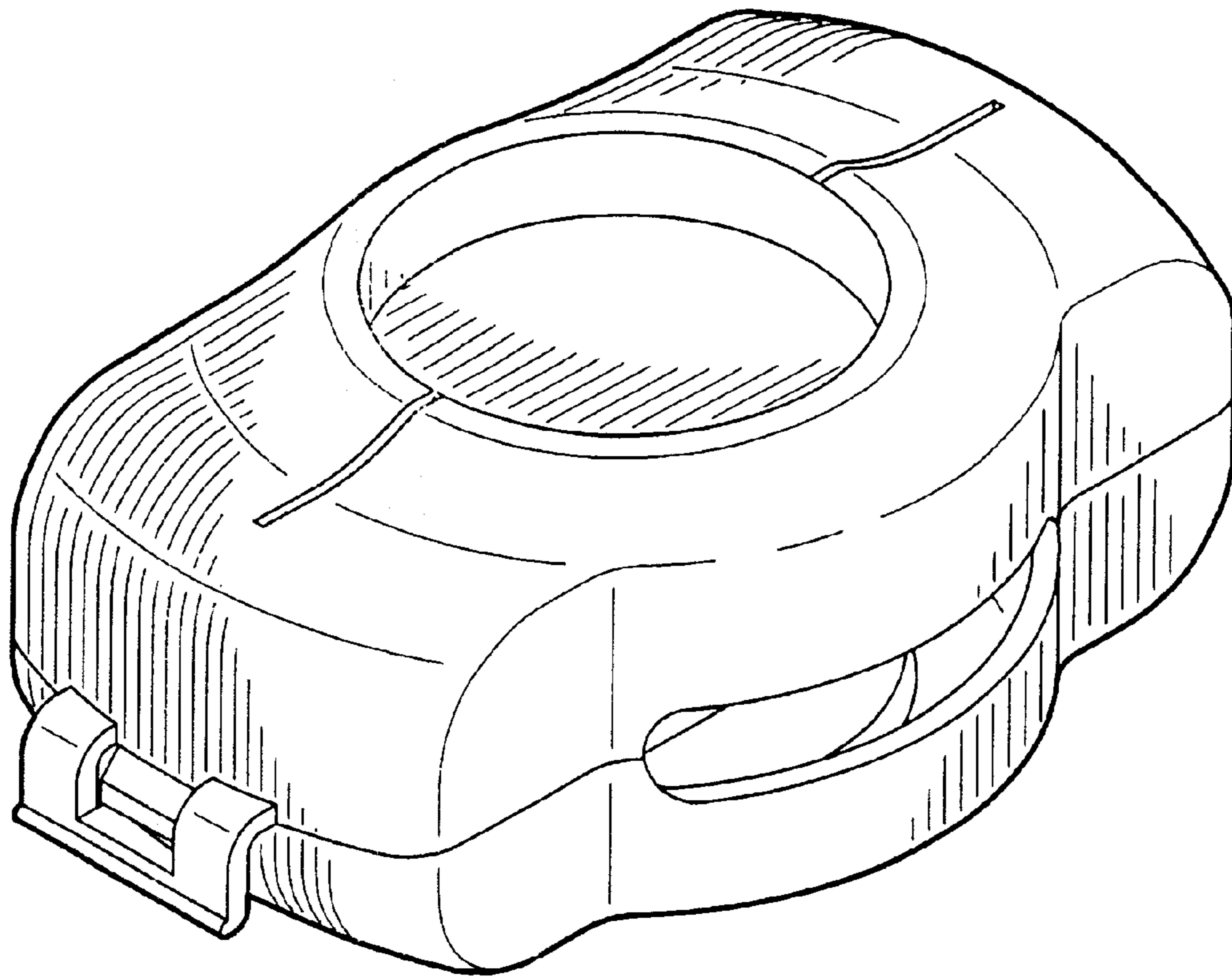


FIG. 1

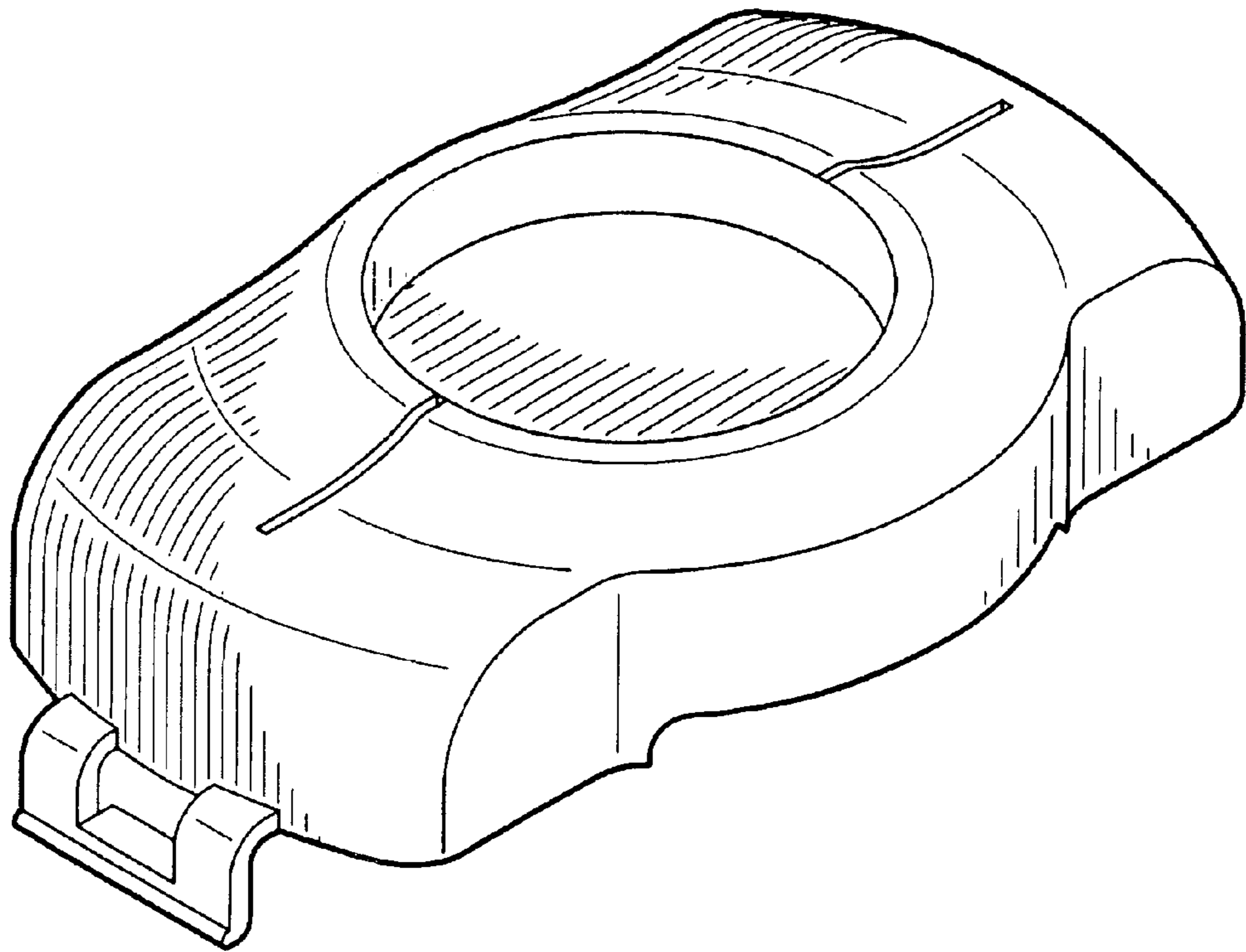


FIG. 2

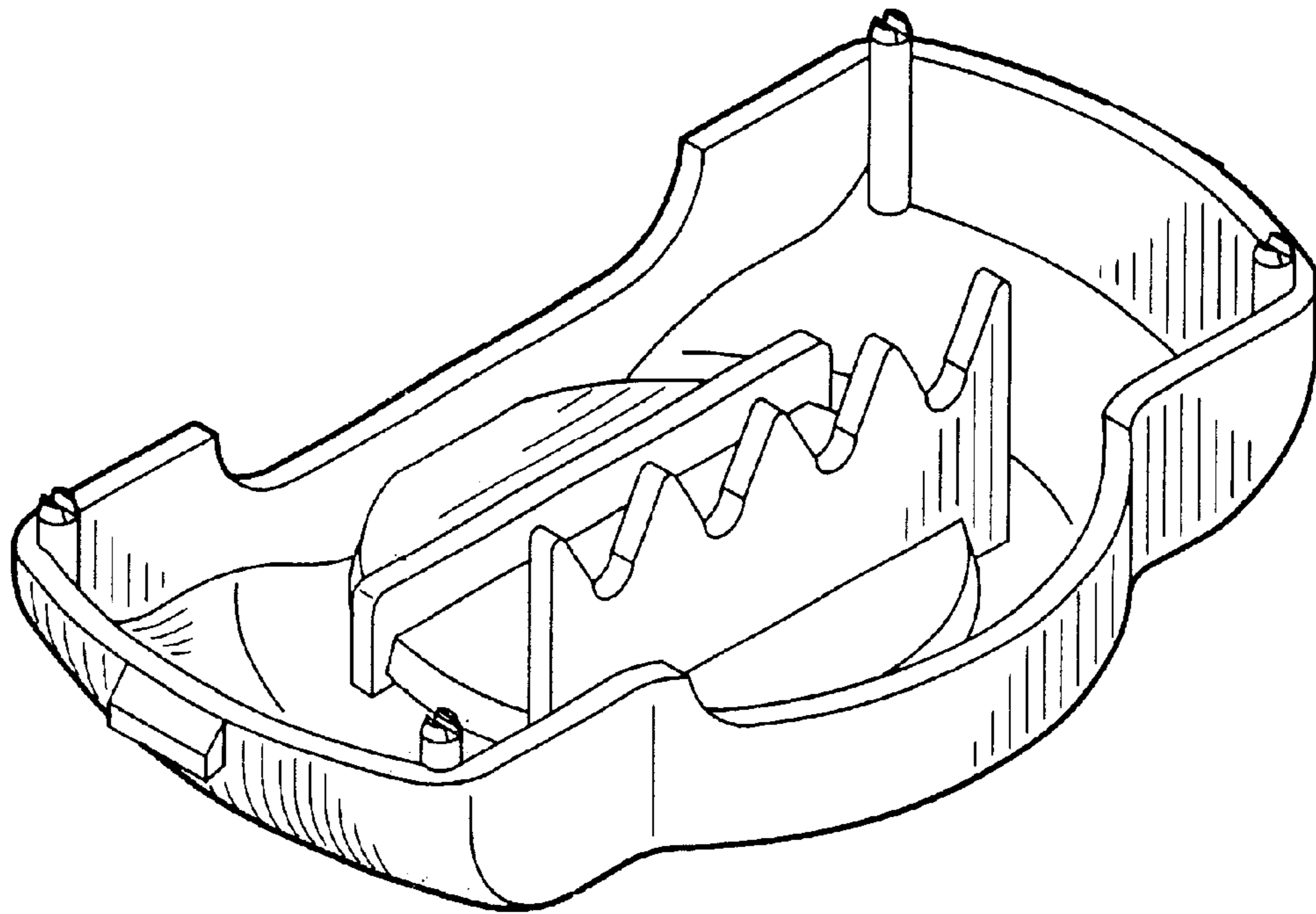


FIG. 3

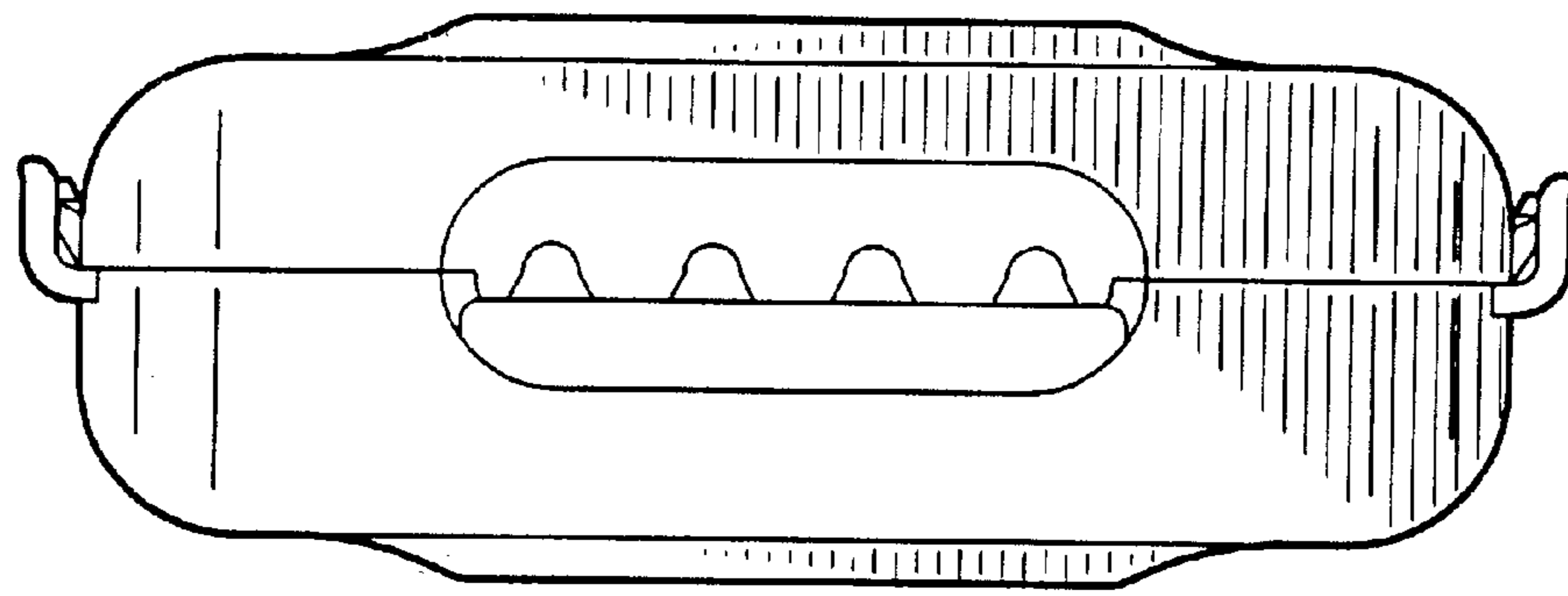


FIG. 4

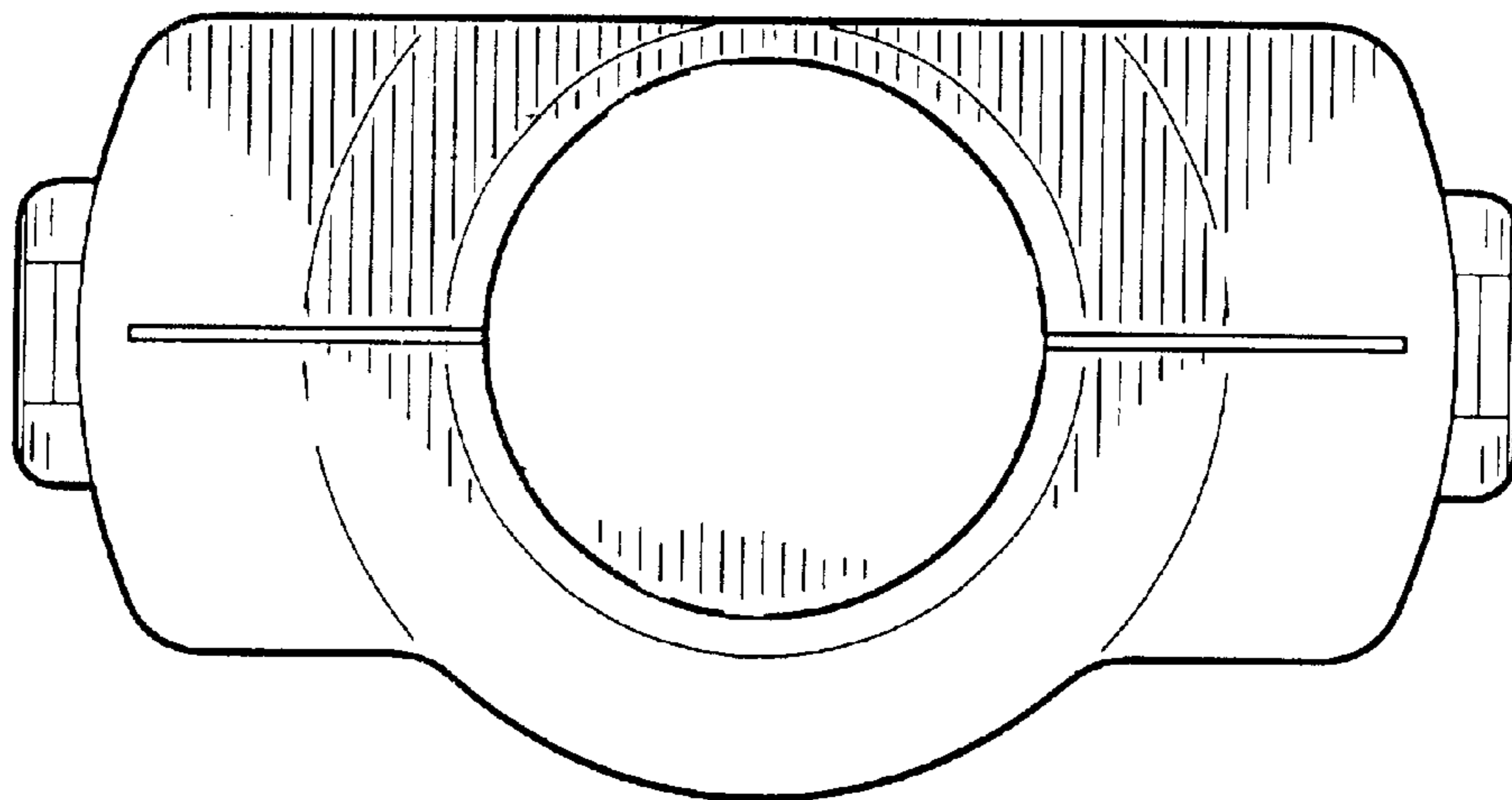


FIG. 5

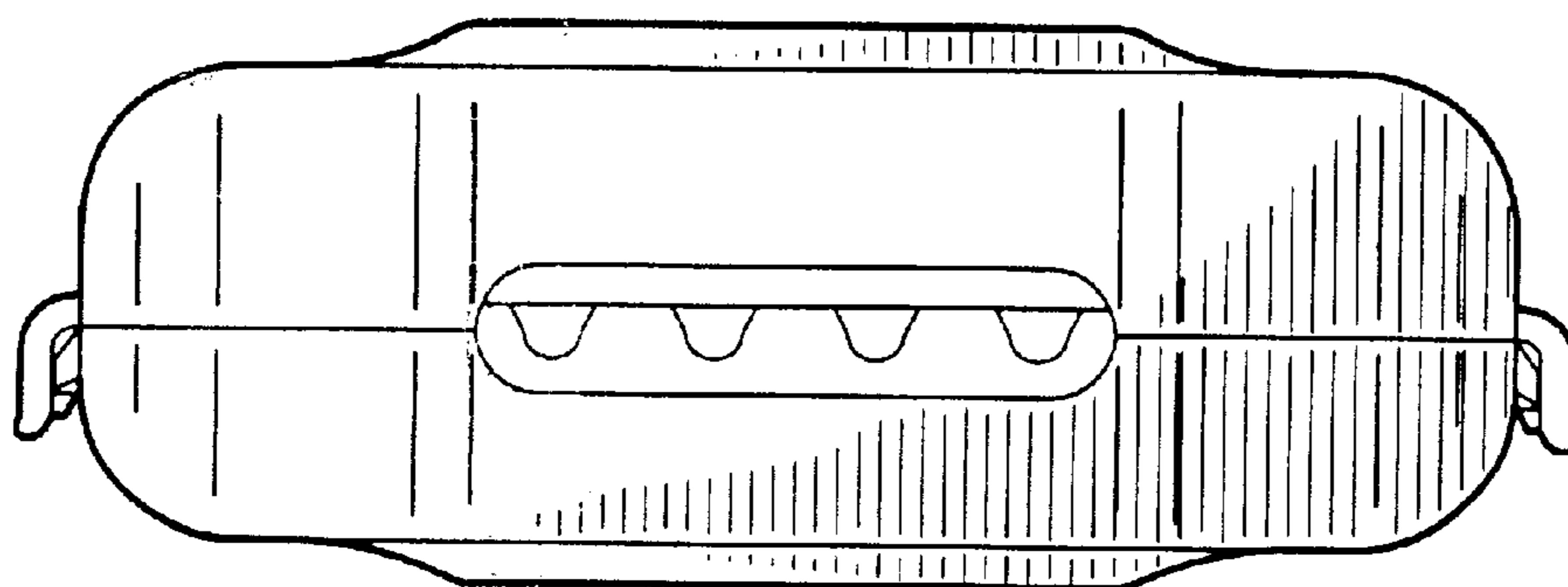


FIG. 6

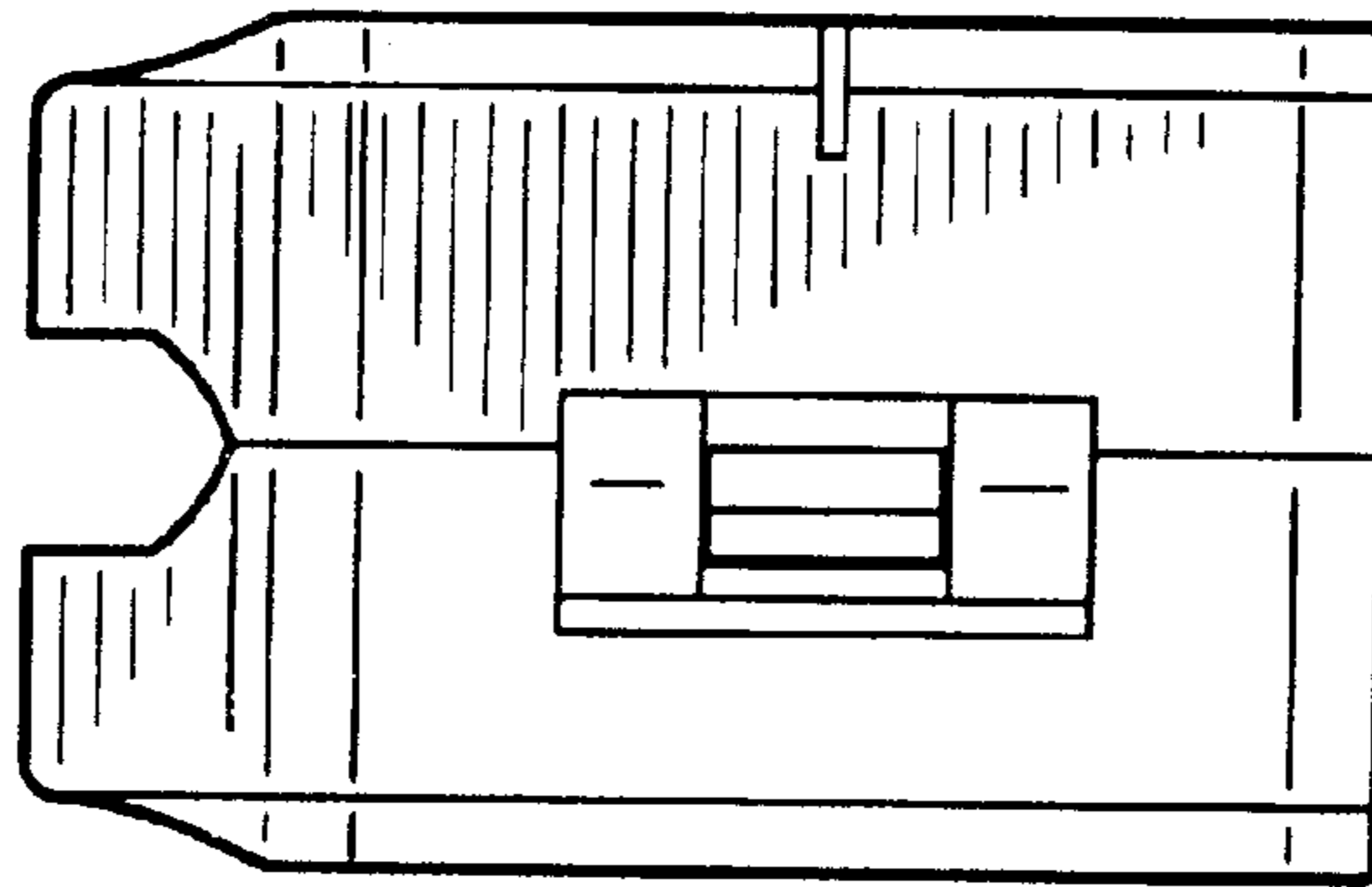


FIG. 7

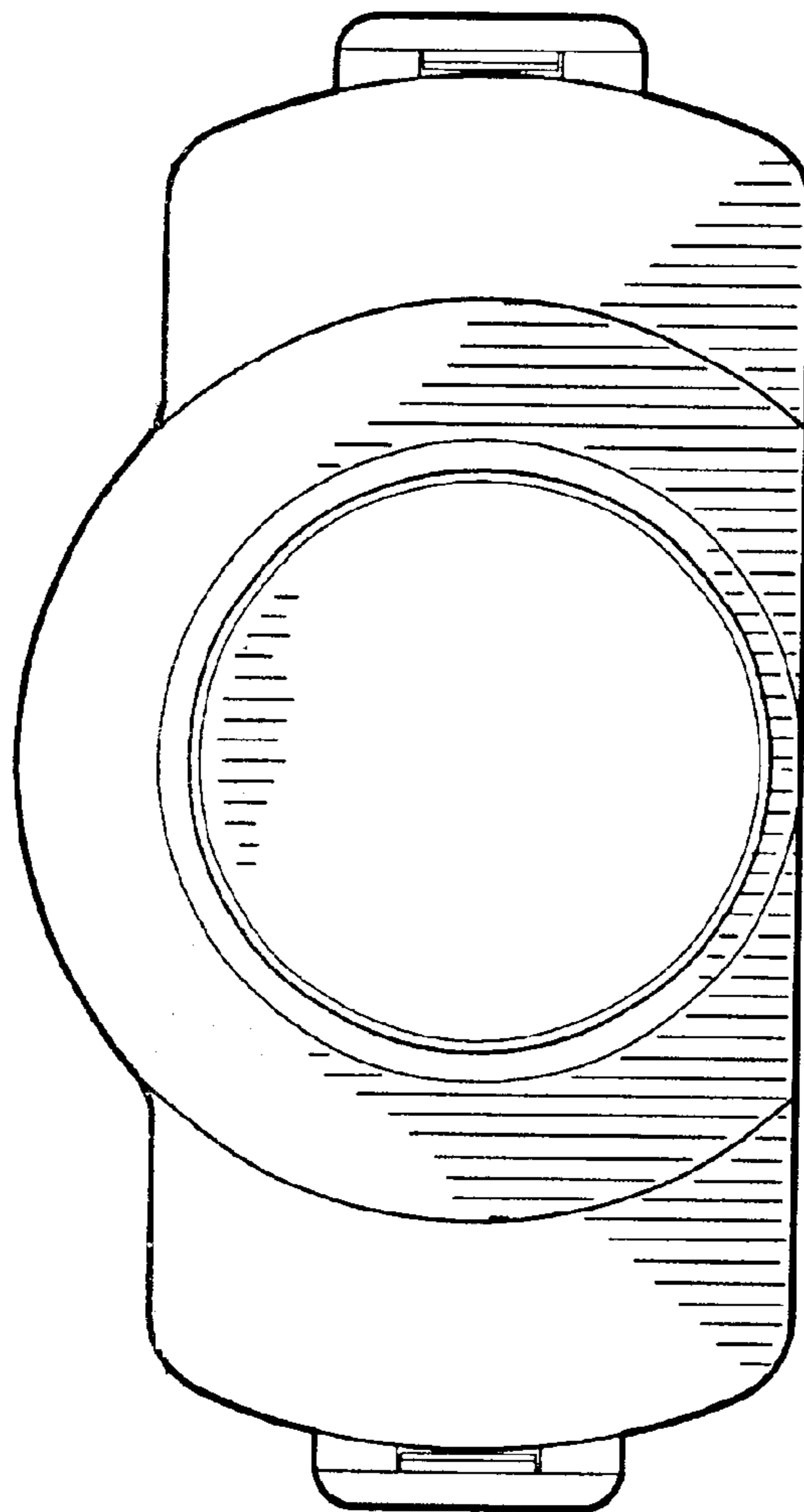


FIG. 8