



US00D530675S

(12) **United States Design Patent**
Lee et al.

(10) **Patent No.:** **US D530,675 S**
(45) **Date of Patent:** **** Oct. 24, 2006**

(54) **MEMORY CARD CONNECTOR**
(75) Inventors: **Yun-Chien Lee**, Tu-Cheng (TW);
Mei-Chuan Yang, Tu-Cheng (TW)
(73) Assignee: **Cheng Uei Precision Industry Co., Ltd.**, Taipei Hsien (TW)
(**) Term: **14 Years**

D471,867 S * 3/2003 Fan D13/147
6,619,986 B1 * 9/2003 Yeh 439/607
D518,782 S * 4/2006 Su D13/147
D519,461 S * 4/2006 Su D13/147
2005/0026487 A1 * 2/2005 Yu 439/260

* cited by examiner

Primary Examiner—Stella Reid
Assistant Examiner—Daniel Bui

(21) Appl. No.: **29/252,520**
(22) Filed: **Jan. 24, 2006**

(57) **CLAIM**

The ornamental design for a memory card connector, as shown and described.

(51) **LOC (8) Cl.** **13-03**
(52) **U.S. Cl.** **D13/147**
(58) **Field of Classification Search** D13/133,
D13/146–147, 149, 154, 184; D14/432–436,
D14/438; 439/64, 79, 159–160, 326, 492,
439/496, 607–610, 630–631, 862
See application file for complete search history.

DESCRIPTION

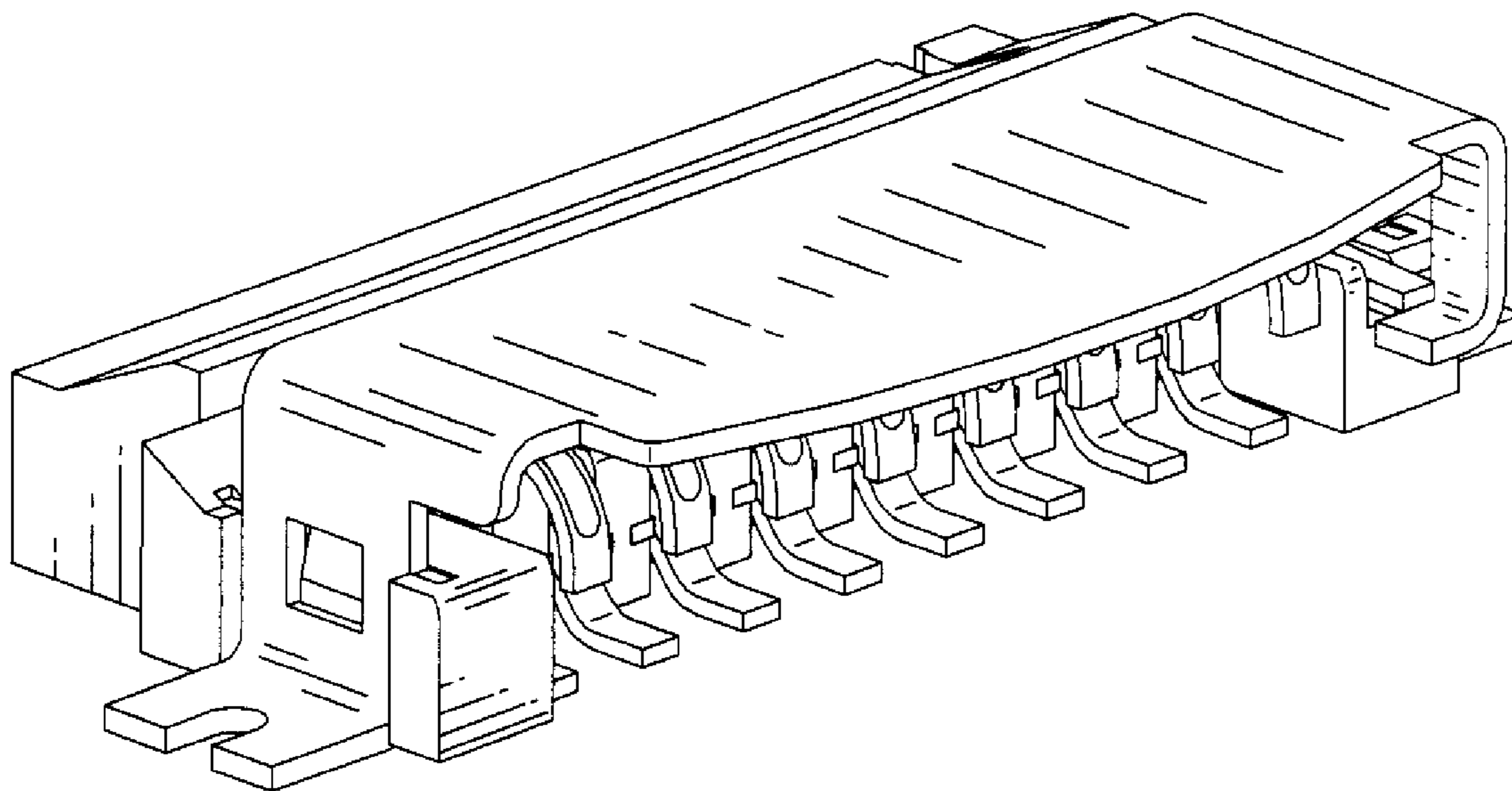
FIG. 1 is a perspective view of a memory card connector showing my new design;
FIG. 2 is a front elevational view thereof;
FIG. 3 is a rear elevational view thereof;
FIG. 4 is a left side elevational view thereof;
FIG. 5 is a right side elevational view thereof;
FIG. 6 is a top plan view thereof; and,
FIG. 7 is a bottom plan view thereof.

(56) **References Cited**

U.S. PATENT DOCUMENTS

D434,386 S * 11/2000 Wu D13/147

1 Claim, 7 Drawing Sheets



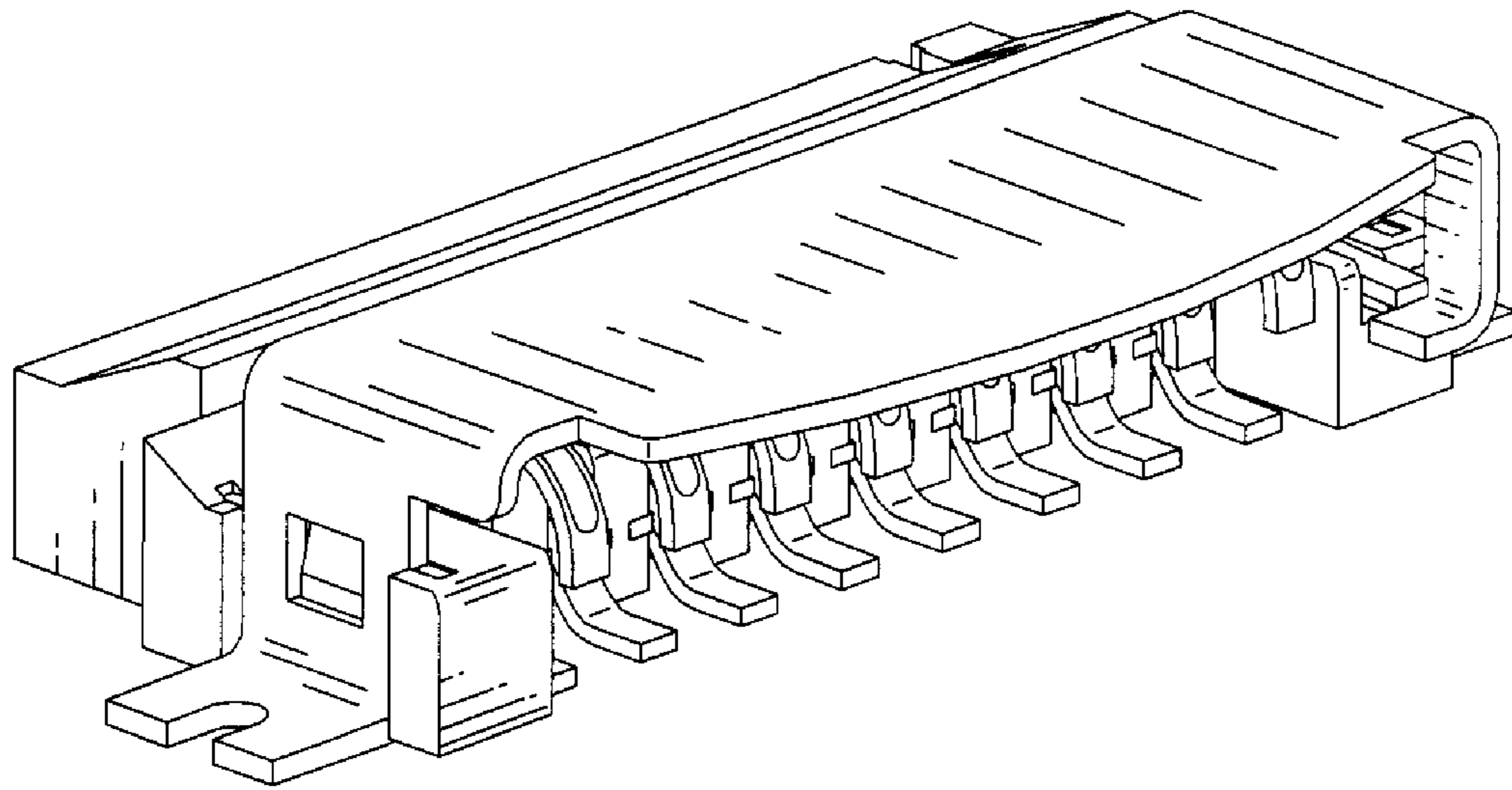


FIG. 1

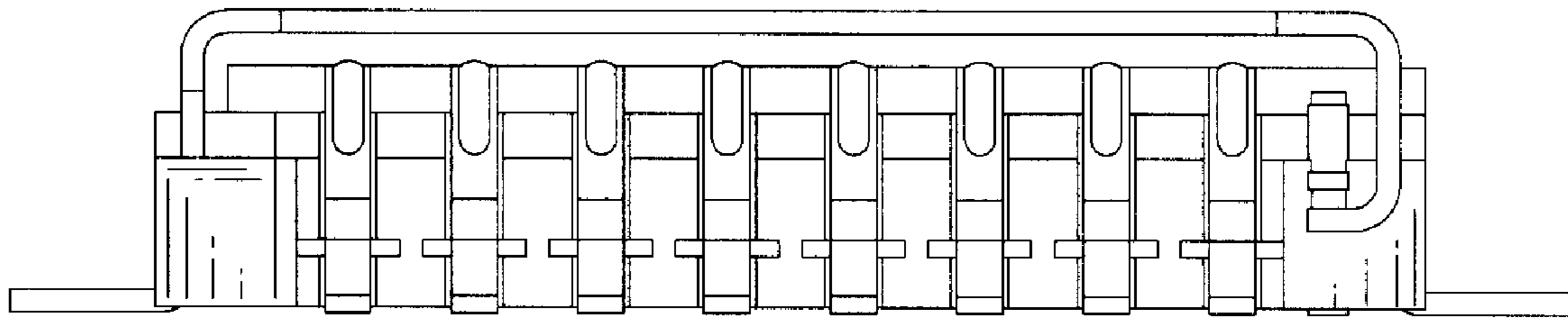


FIG. 2

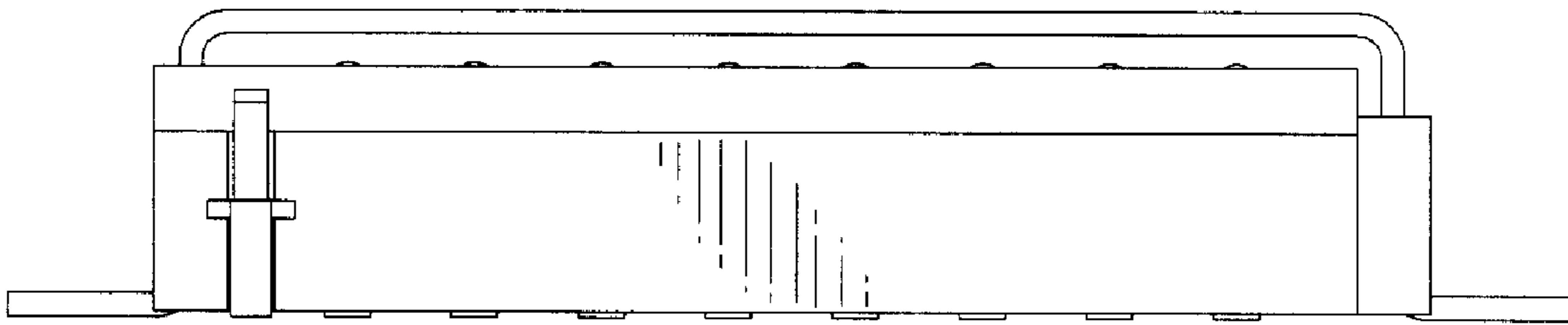


FIG. 3

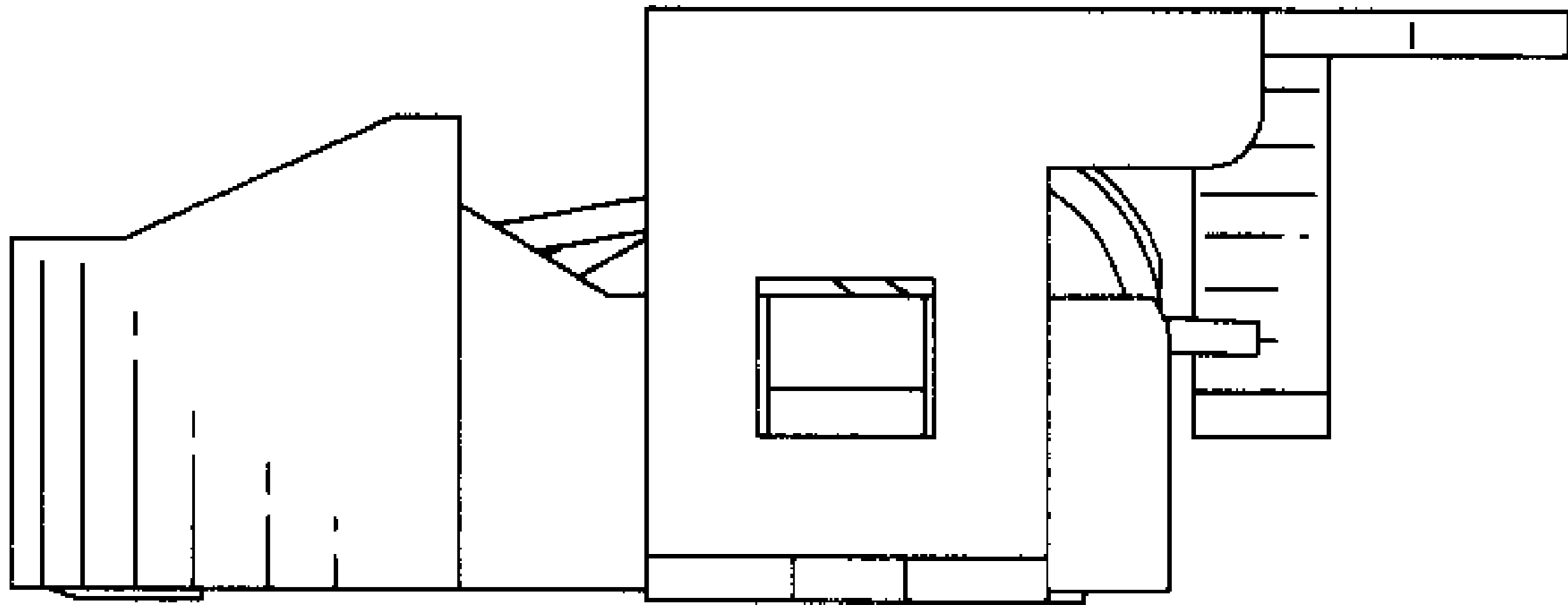


FIG. 4

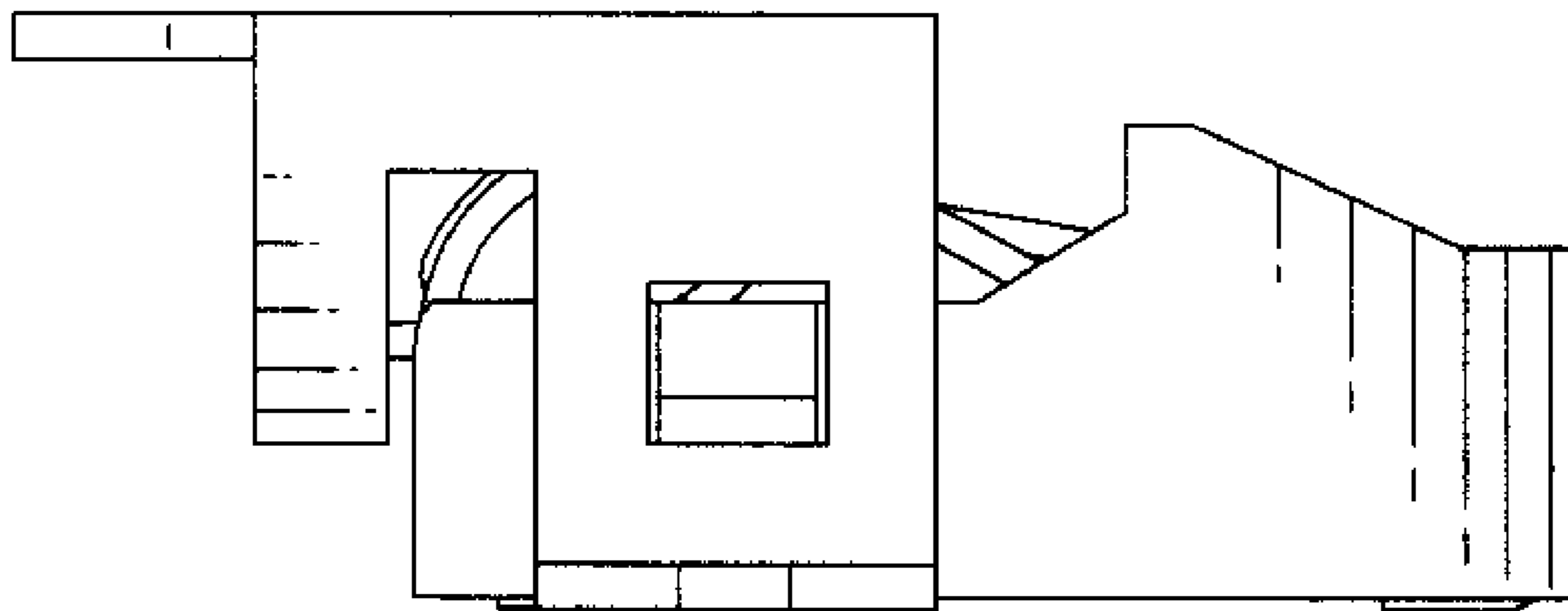


FIG. 5

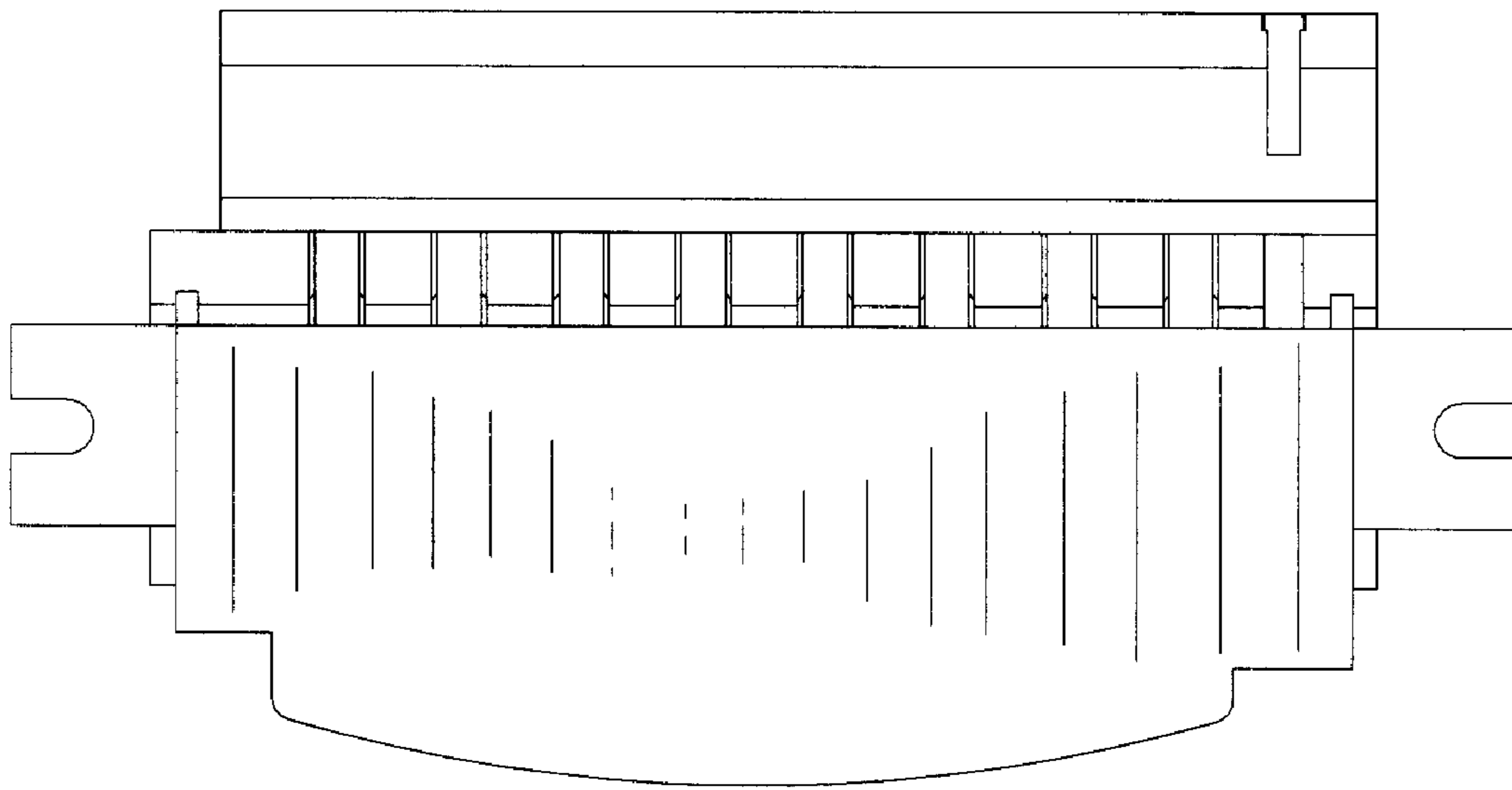


FIG. 6

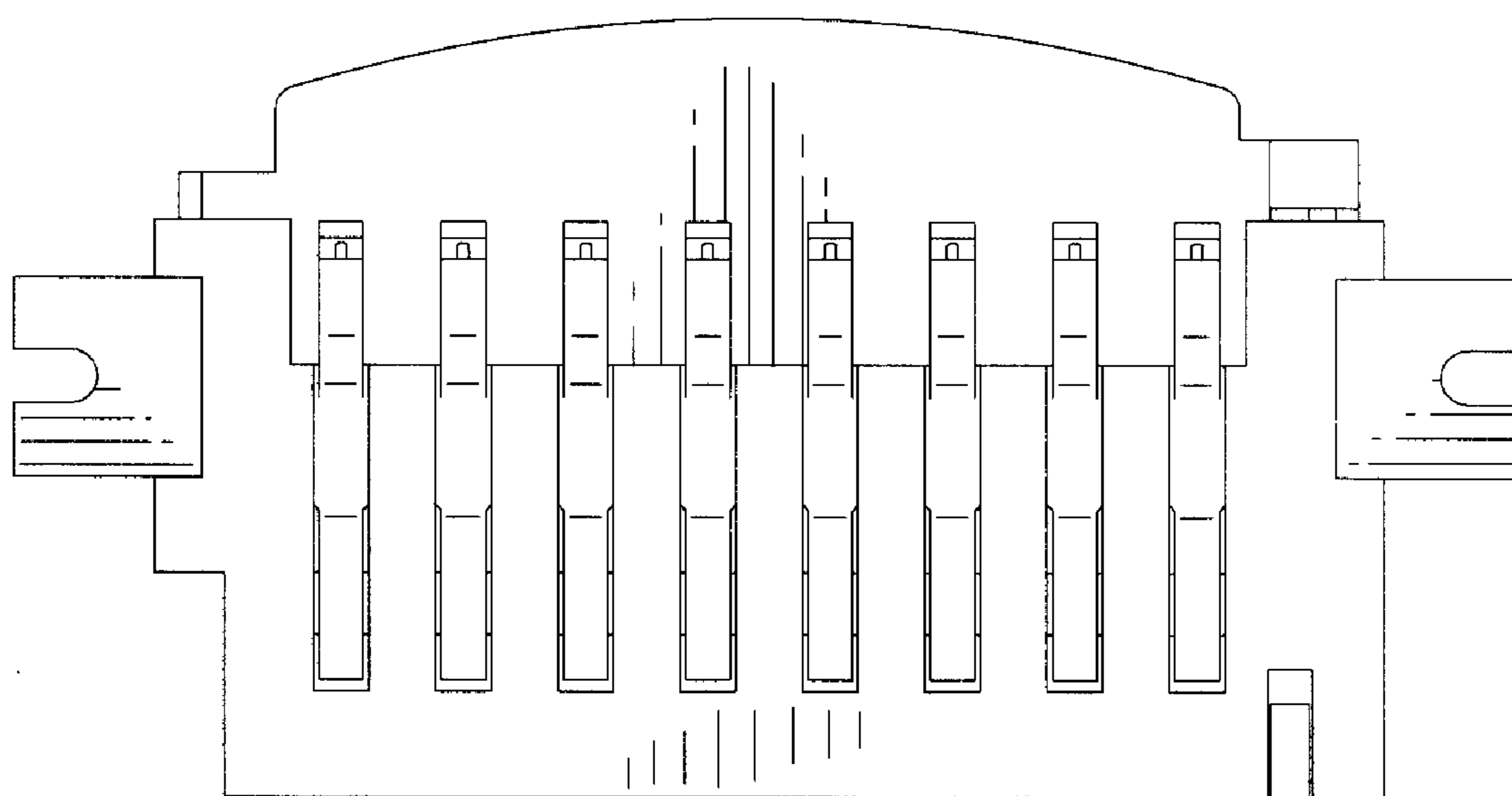


FIG. 7