

US00D530674S

(12) **United States Design Patent**
Ko

(10) **Patent No.:** **US D530,674 S**

(45) **Date of Patent:** **** Oct. 24, 2006**

(54) **MICRO COAXIAL CONNECTOR**

(75) **Inventor:** **David (Tso-Chin) Ko**, Fullerton, CA
(US)

(73) **Assignee:** **Hon Hai Precision Ind. Co., Ltd.**,
Taipei Hsien (TW)

(**) **Term:** **14 Years**

(21) **Appl. No.:** **29/236,140**

(22) **Filed:** **Aug. 11, 2005**

(51) **LOC (8) Cl.** **13-03**

(52) **U.S. Cl.** **D13/147**

(58) **Field of Classification Search** D13/133,
D13/146-147, 149, 154, 184; D14/432-436,
D14/438; 439/64, 79, 159-160, 260, 325,
439/329, 395, 422, 492, 495, 607-610, 630,
439/862

See application file for complete search history.

(56) **References Cited**

U.S. PATENT DOCUMENTS

D351,136 S * 10/1994 Kurata D13/147
6,123,582 A * 9/2000 Ko et al. 439/579
D435,831 S * 1/2001 Ko D13/147

6,305,978 B1 * 10/2001 Ko et al. 439/579
6,619,985 B1 * 9/2003 Ko 439/607
D489,335 S * 5/2004 Ko D13/147
D490,377 S * 5/2004 Sato D13/147
D502,143 S * 2/2005 Chiu et al. D13/147
2006/0079119 A1 * 4/2006 Wu 439/492

* cited by examiner

Primary Examiner—Stella Reid
Assistant Examiner—Daniel Bui

(74) *Attorney, Agent, or Firm*—Wei Te Chung

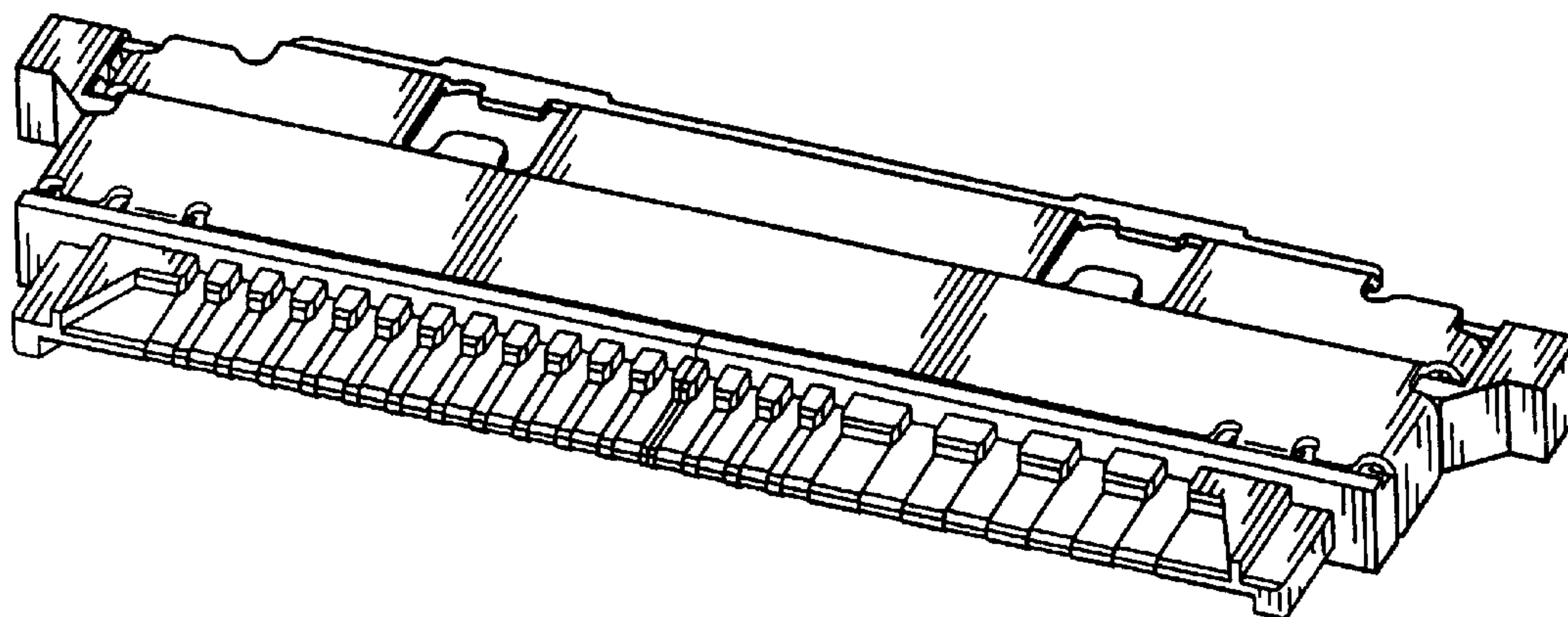
(57) **CLAIM**

The ornamental design for a micro coaxial connector, as shown and described.

DESCRIPTION

FIG. 1 is a front, top and right side perspective view of a micro coaxial connector showing my new design; FIG. 2 is a front elevational view thereof; FIG. 3 is a rear elevational view thereof; FIG. 4 is a left side elevational view thereof; FIG. 5 is a right side elevational view thereof; FIG. 6 is a top plan view thereof; and, FIG. 7 is a bottom plan view thereof.

1 Claim, 6 Drawing Sheets



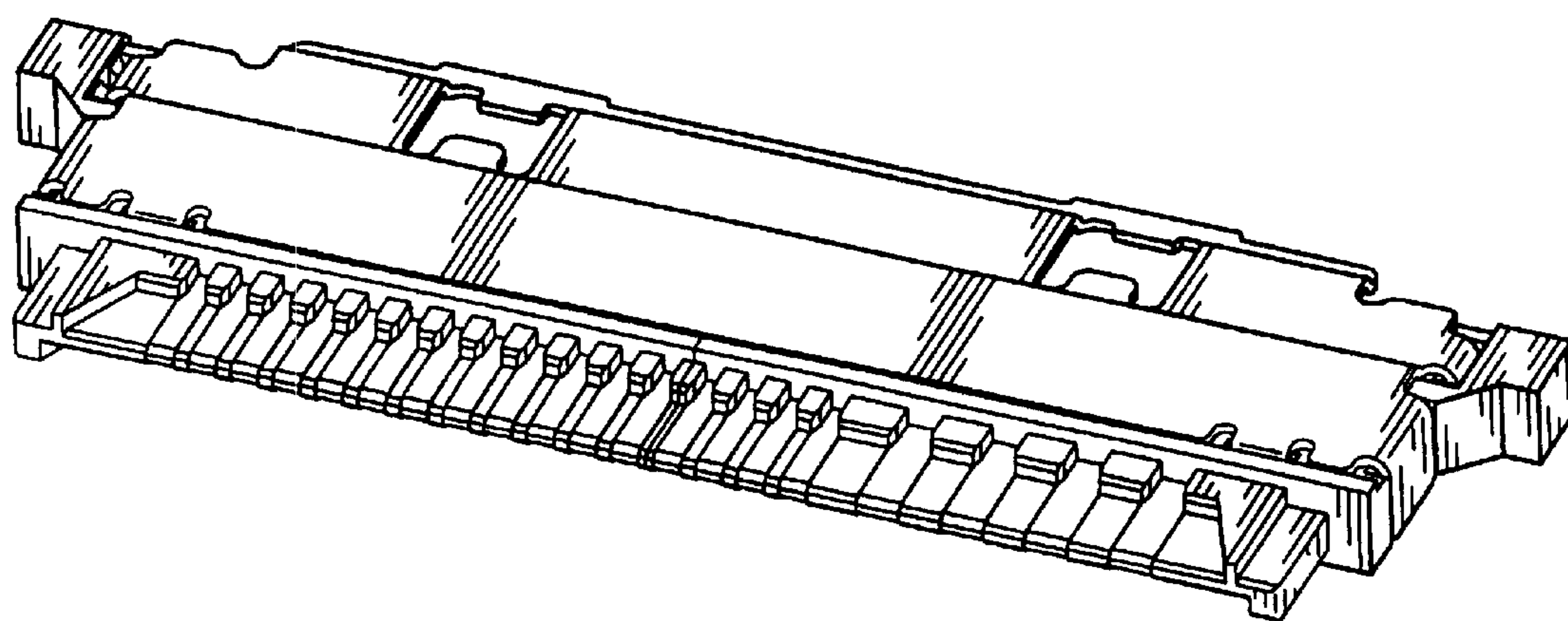


FIG. 1



FIG. 2



FIG. 3



FIG. 4

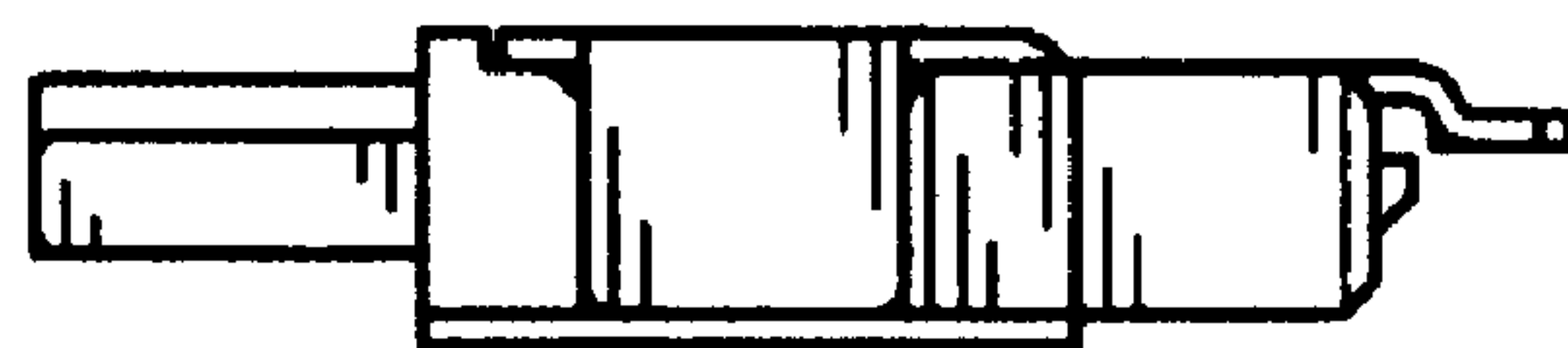


FIG. 5

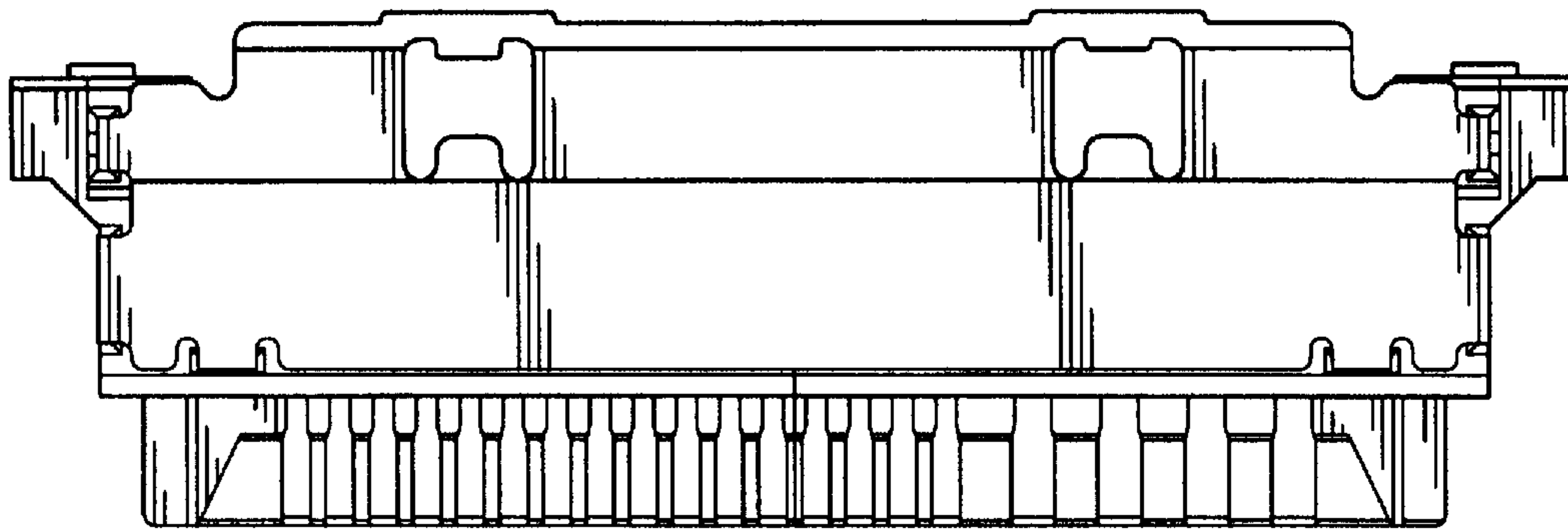


FIG. 6

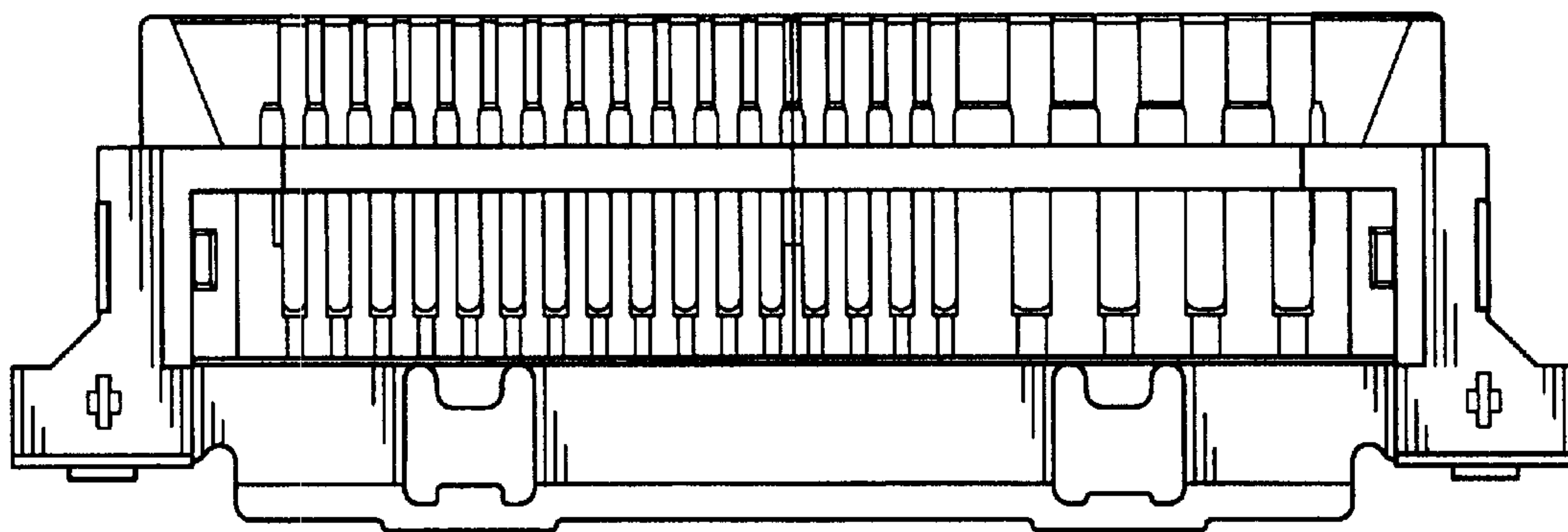


FIG. 7