



US00D530672S

(12) **United States Design Patent**
Mine et al.

(10) **Patent No.:** **US D530,672 S**
(45) **Date of Patent:** **** Oct. 24, 2006**

(54) **OPTICAL CONNECTOR WITH A SHUTTER**

(75) Inventors: **Keiji Mine**, Yao (JP); **Hiroshi Nakagawa**, Kyoto (JP)

(73) Assignee: **Hosiden Corporation**, Yao (JP)

(**) Term: **14 Years**

(21) Appl. No.: **29/204,210**

(22) Filed: **Apr. 27, 2004**

(30) **Foreign Application Priority Data**

Nov. 26, 2003 (JP) 2003-035224

(51) **LOC (8) Cl.** **13-03**

(52) **U.S. Cl.** **D13/147; D13/133; D13/146**

(58) **Field of Classification Search** D13/133,
D13/146-147, 154, 199; 439/79, 83, 108,
439/181, 607-610, 639

See application file for complete search history.

(56) **References Cited**

U.S. PATENT DOCUMENTS

D325,372 S	*	4/1992	Taguchi et al.	D13/147
5,205,763 A	*	4/1993	Watanabe et al.	439/752
D380,196 S	*	6/1997	Aramaki	D13/147
D410,895 S	*	6/1999	Bandura et al.	D13/147
D434,382 S	*	11/2000	Shimojyo	D13/147
D449,821 S	*	10/2001	Shimojyo	D13/147
D462,326 S	*	9/2002	Okamoto	D13/147
D465,459 S	*	11/2002	Zhu et al.	D13/147
D465,767 S	*	11/2002	Zhu et al.	D13/147

D503,927 S	*	4/2005	Yoneyama et al.	D13/147
D508,679 S	*	8/2005	Li et al.	D13/147
2005/0048840 A1	*	3/2005	Zhang	439/607

* cited by examiner

Primary Examiner—Stella Reid

Assistant Examiner—Daniel Bui

(74) *Attorney, Agent, or Firm*—Armstrong, Kratz, Quintos, Hanson & Brooks, LLP

(57) **CLAIM**

The ornamental design for an optical connector with a shutter, as shown and described.

DESCRIPTION

FIG. 1 is a front view of an optical connector with a shutter of the present invention;

FIG. 2 is a rear view thereof;

FIG. 3 is a right side view thereof;

FIG. 4 is a left side view thereof;

FIG. 5 is a top view thereof;

FIG. 6 is a bottom view thereof;

FIG. 7 is a cross-sectional view taken along lines VII—VII of FIG. 1;

FIG. 8 is a cross-sectional view taken along lines VIII—VIII of FIG. 1;

FIG. 9 is a view of FIG. 7 with a cable plug inserted; and, FIG. 10 is a perspective view of the optical connector of FIG. 1.

The broken line showing of the environment is for illustrative purposes only and forms no part of the claimed design.

1 Claim, 10 Drawing Sheets

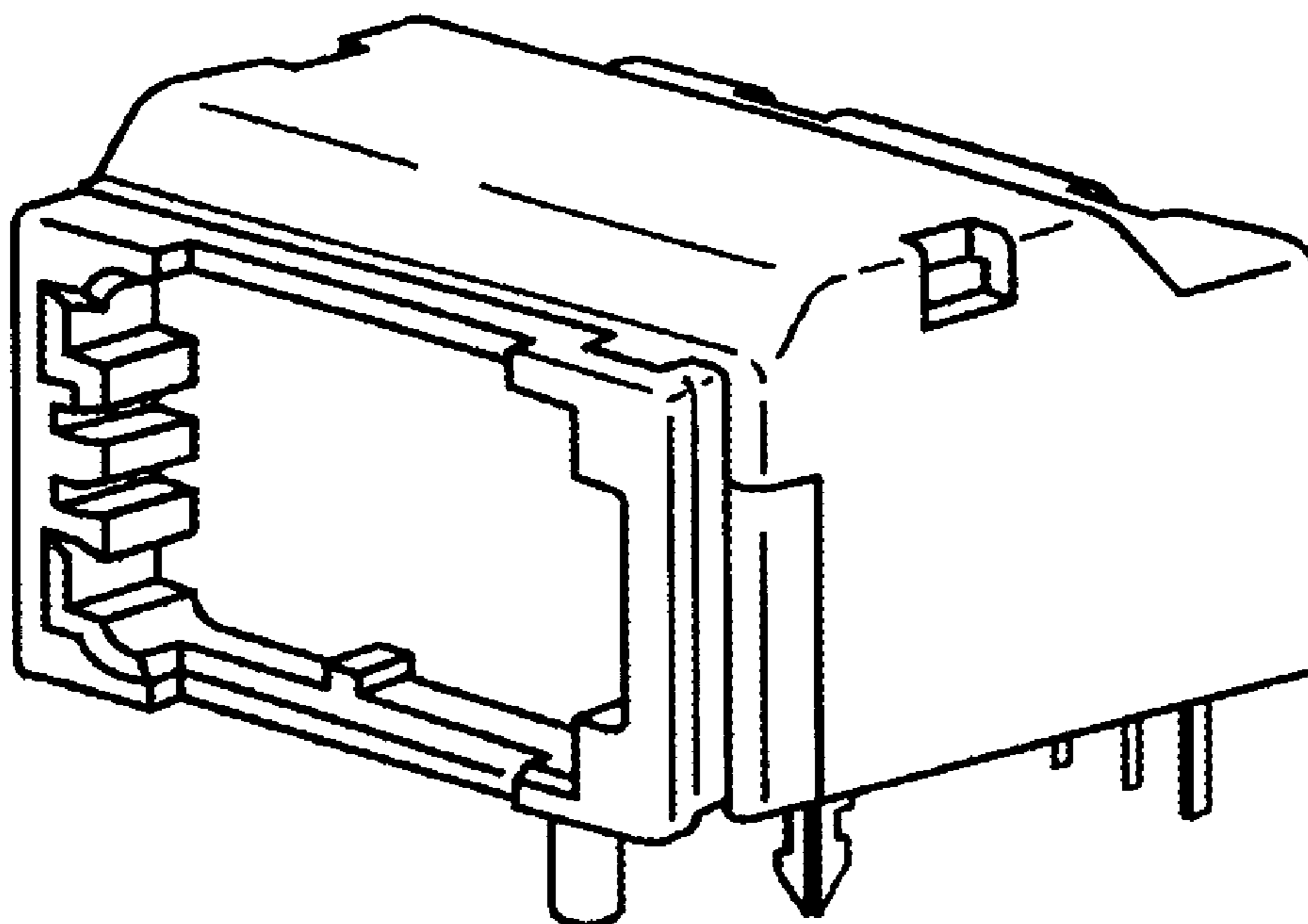


FIG. 1

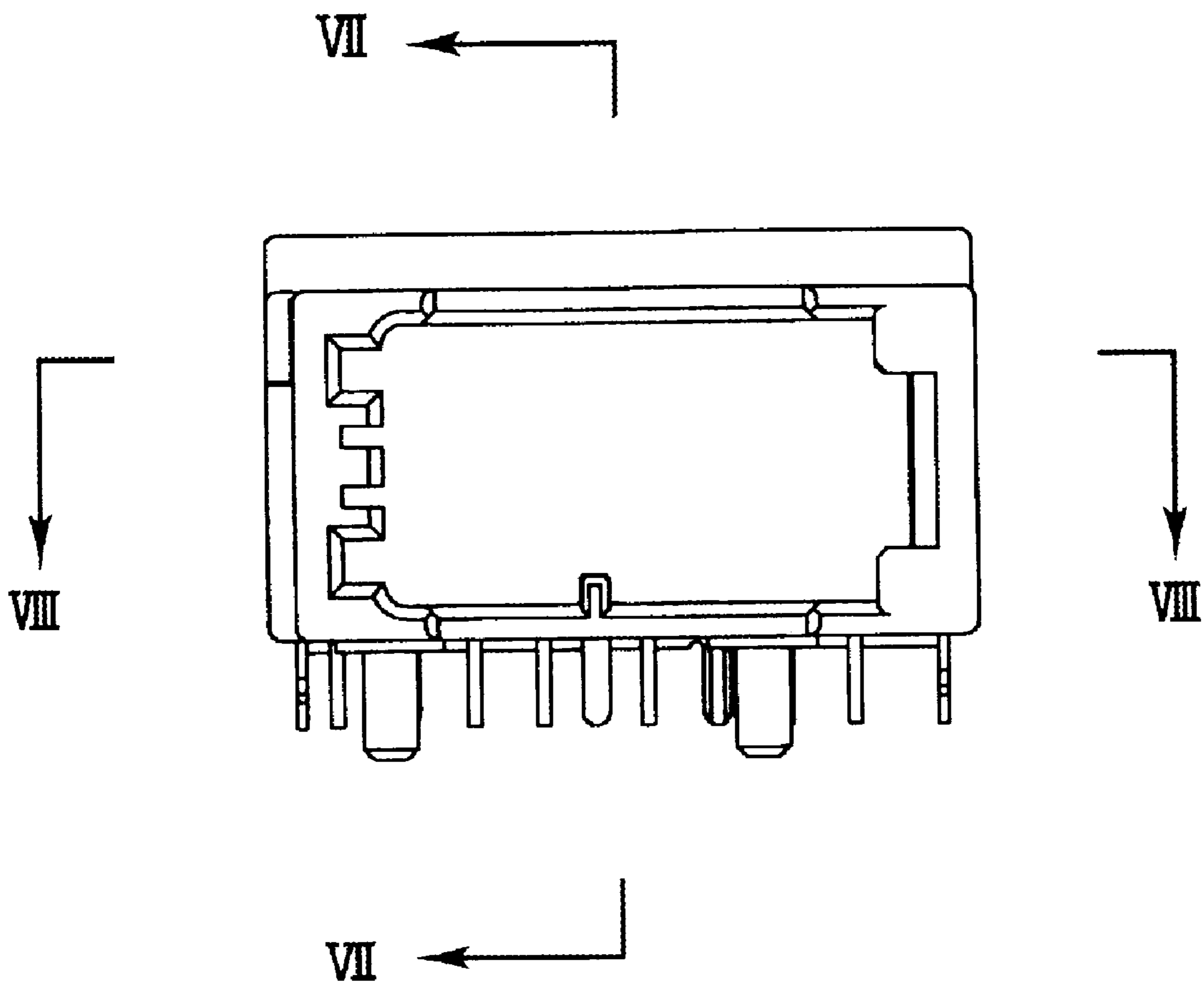


FIG. 2

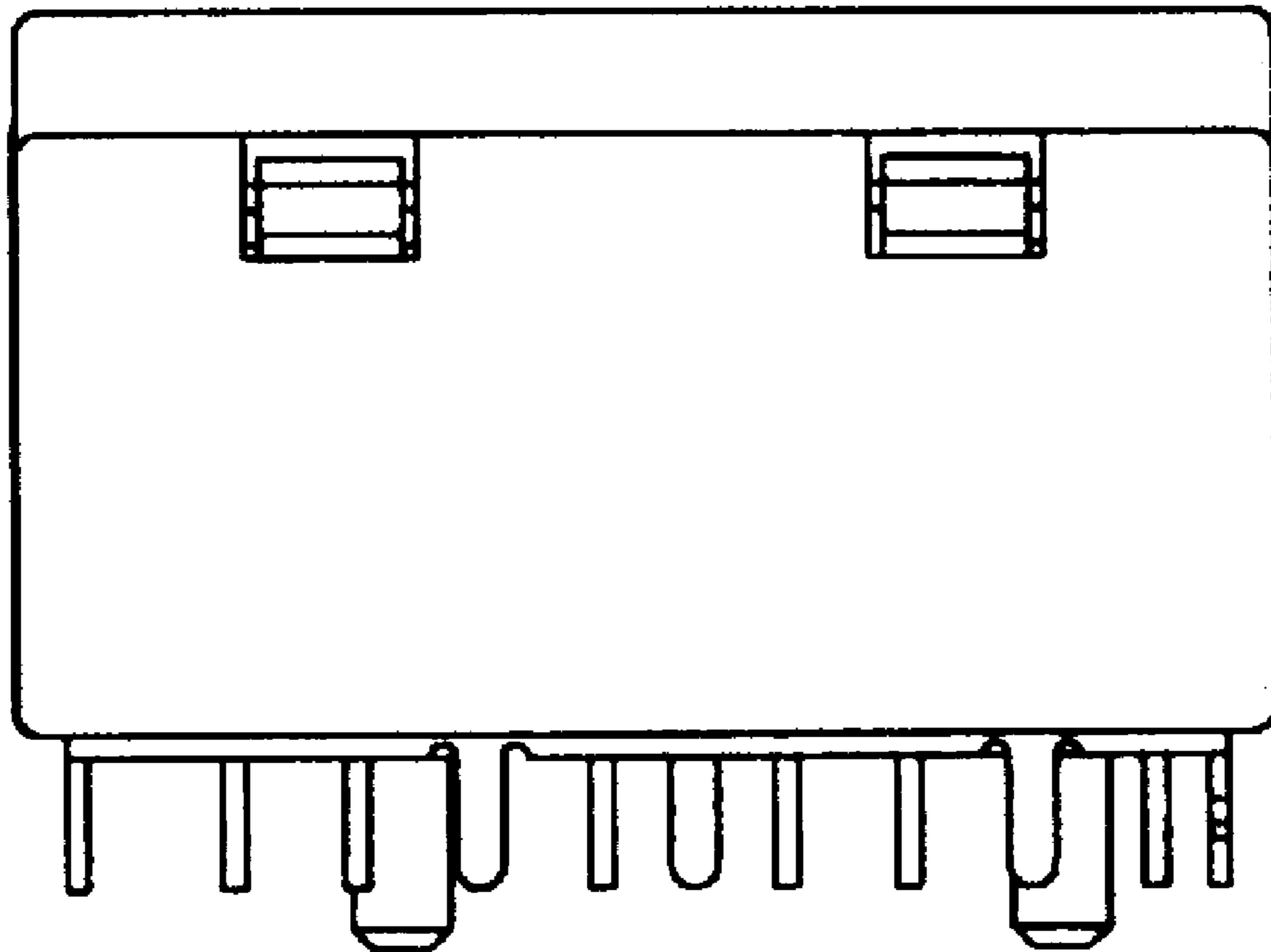


FIG. 3

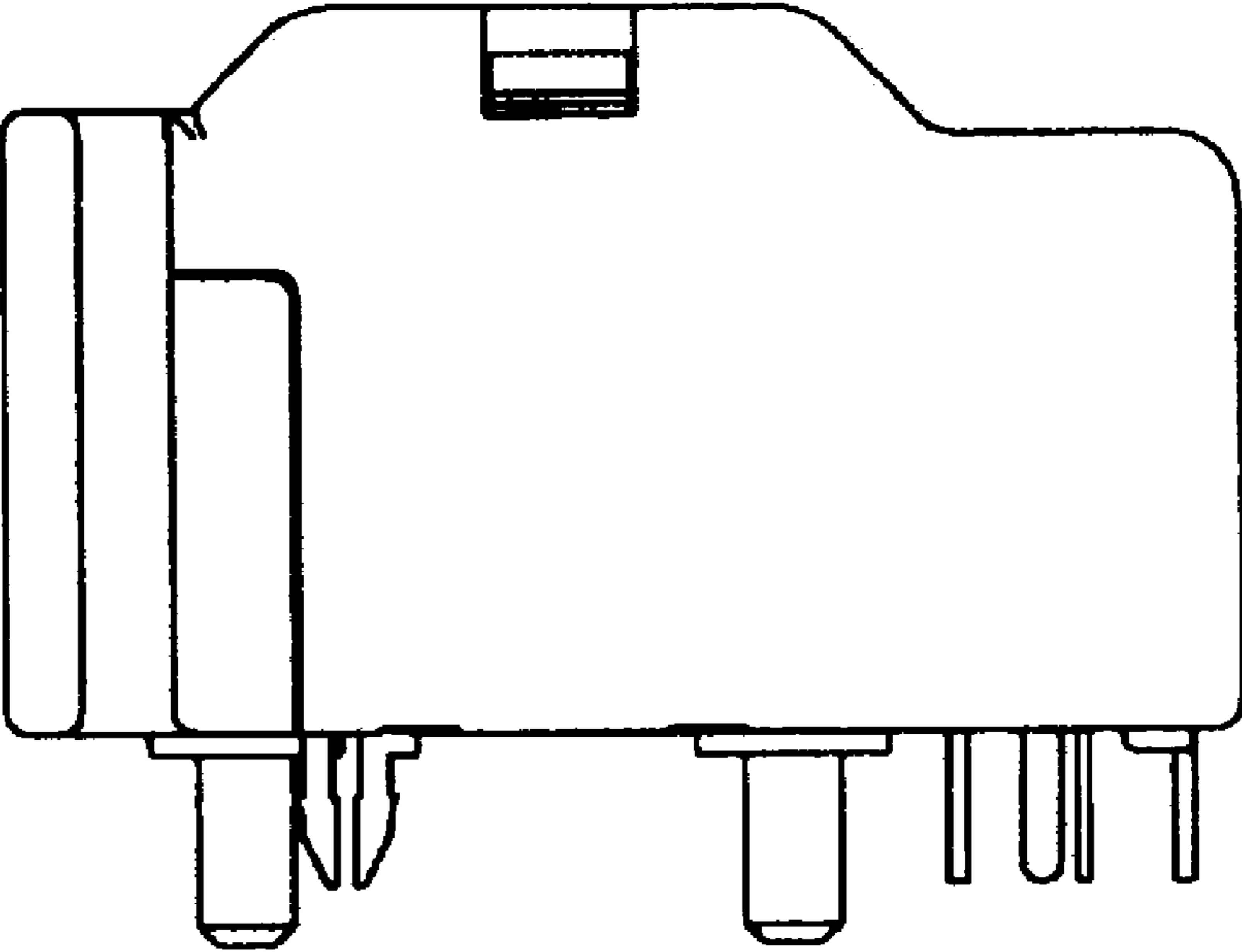


FIG. 4

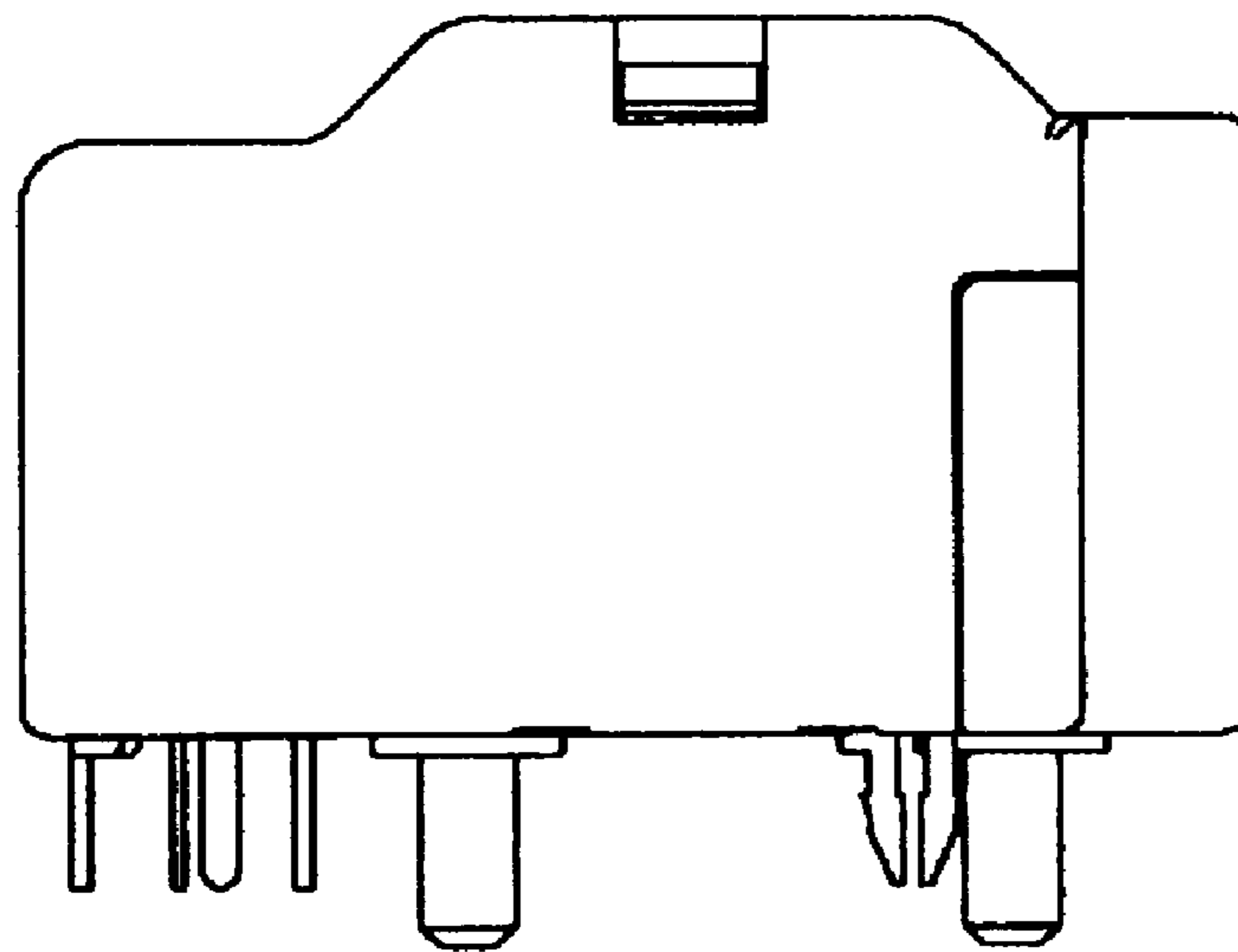


FIG. 5

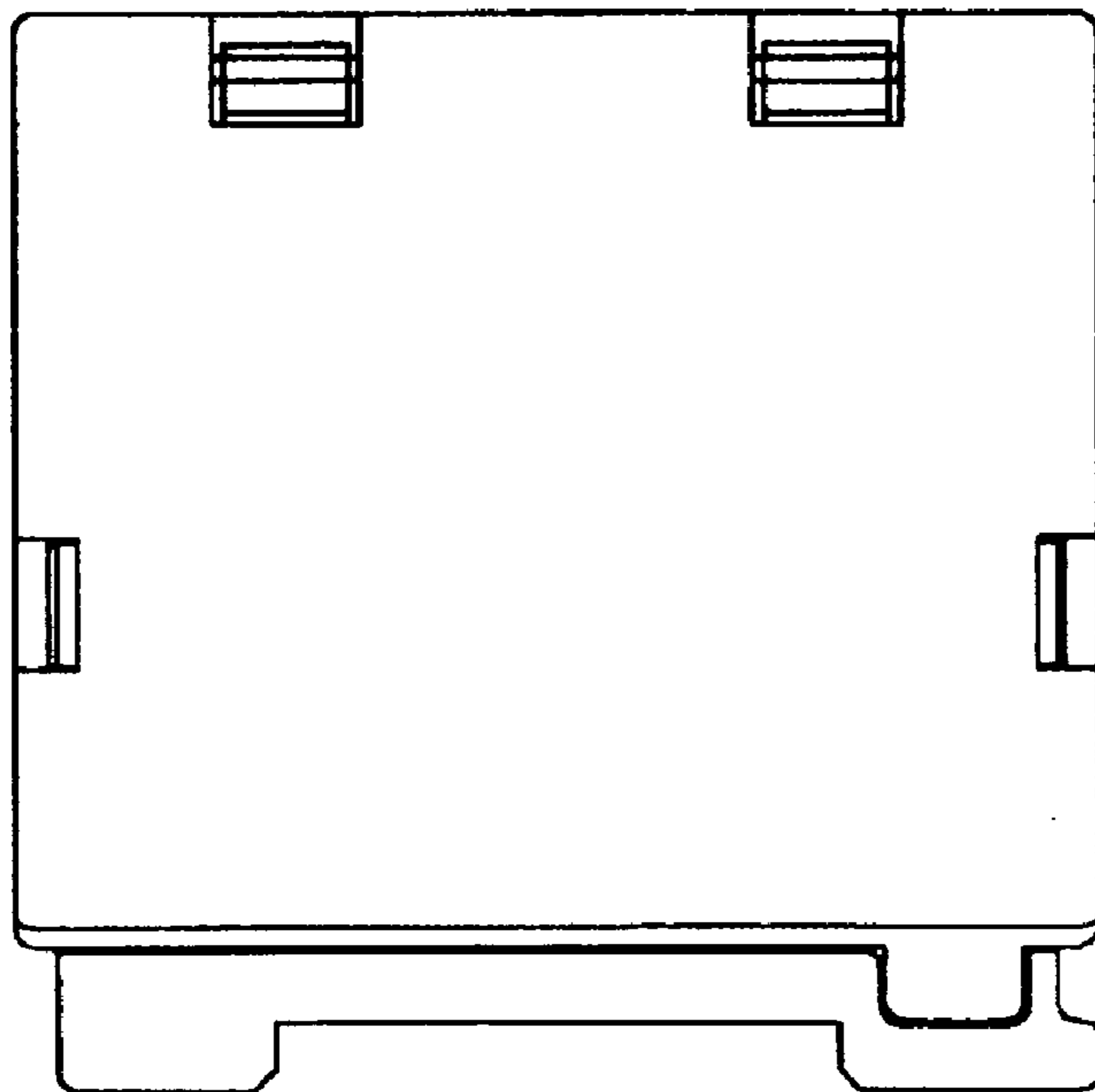


FIG. 6

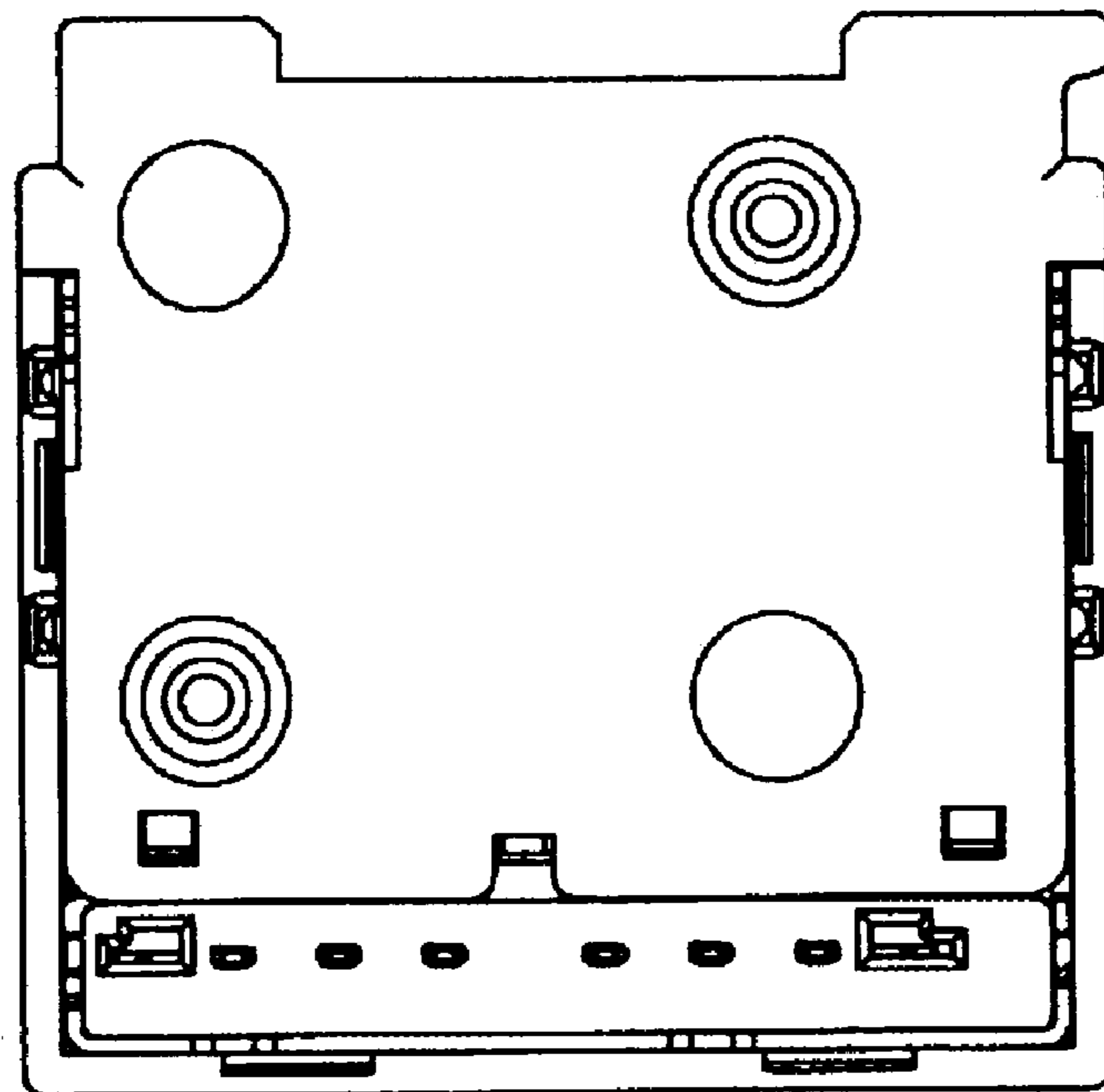


FIG. 7

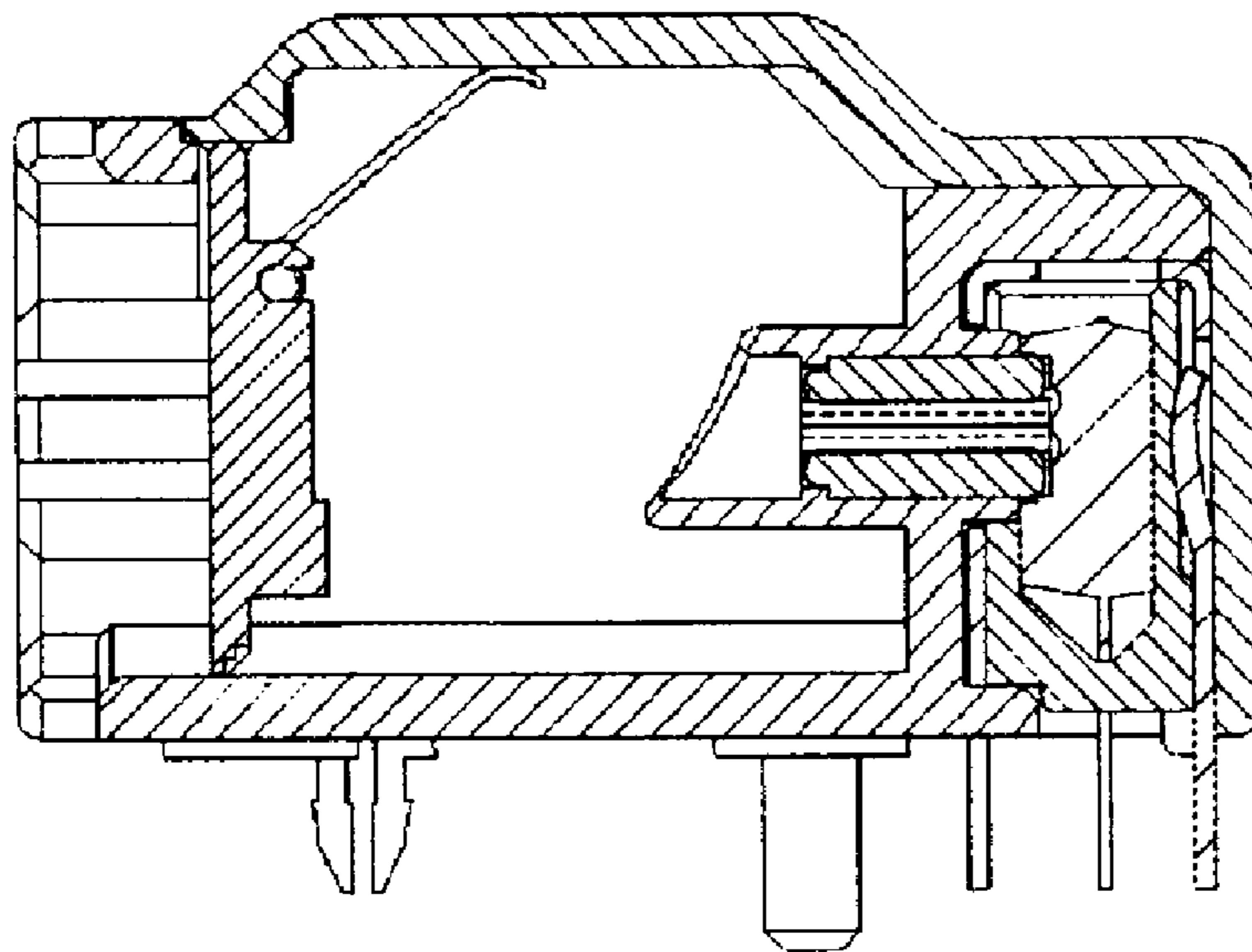


FIG. 8

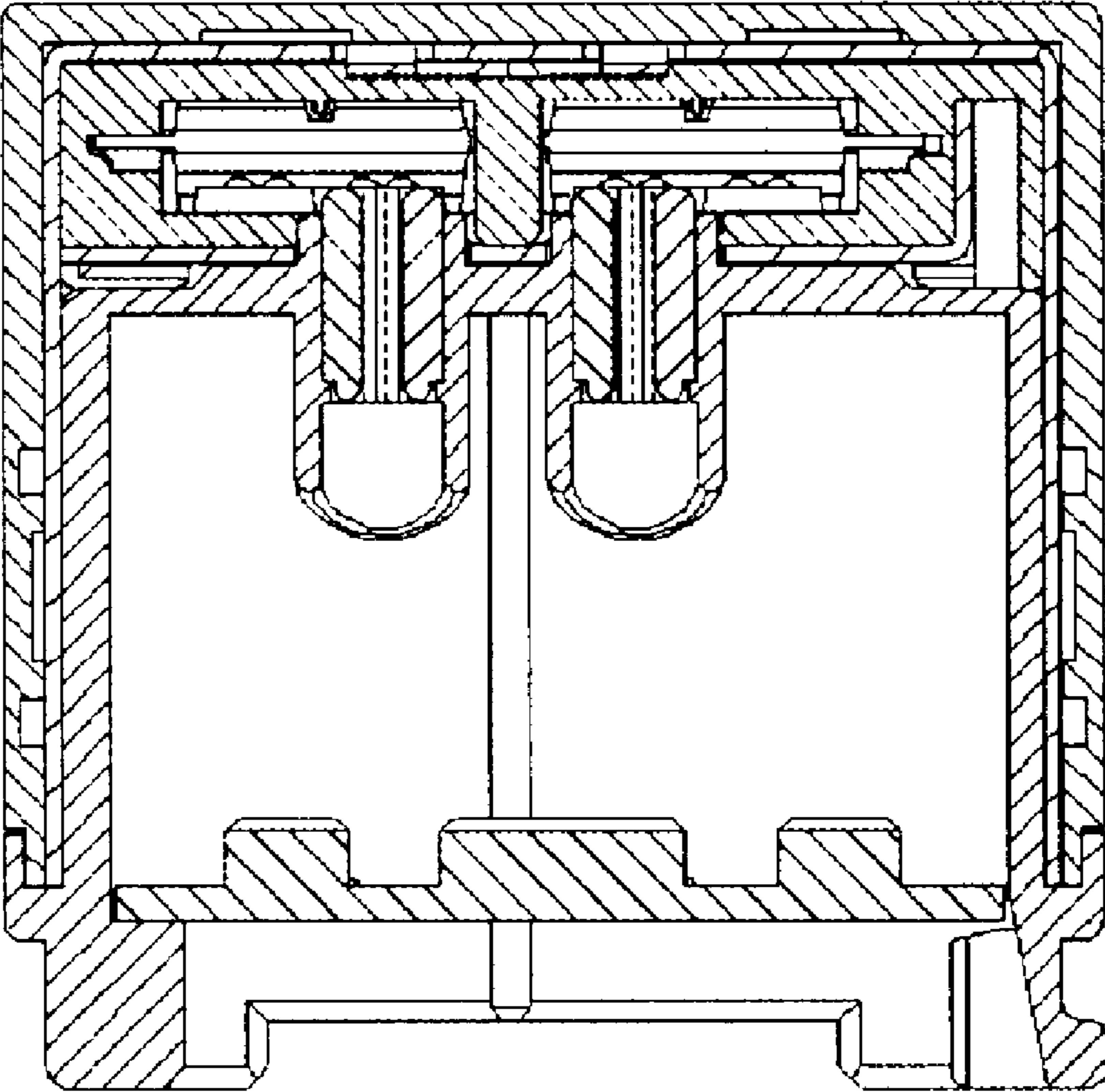


FIG. 9

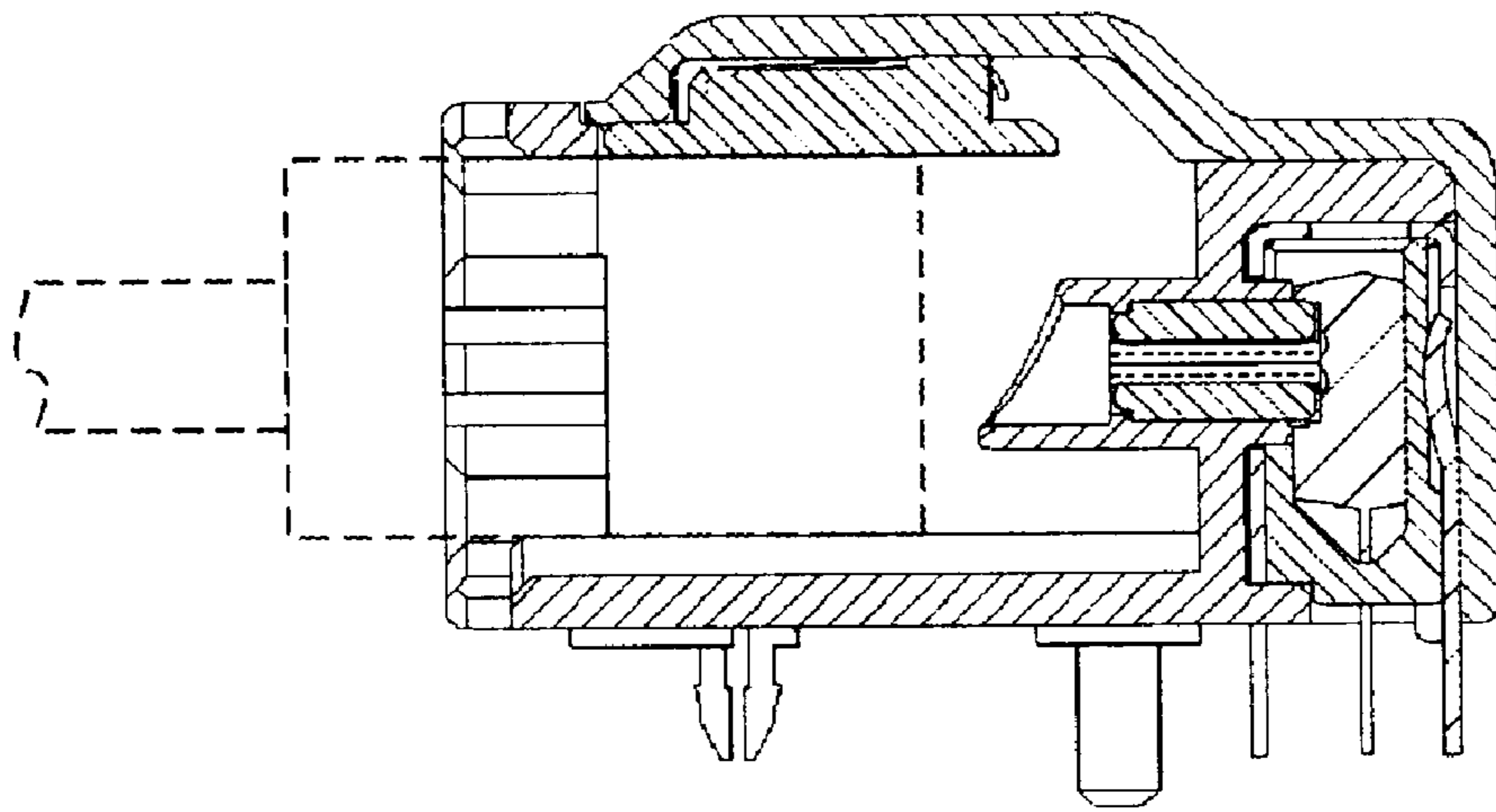


FIG. 10

