



US00D530670S

(12) **United States Design Patent**
Brown et al.

(10) **Patent No.:** **US D530,670 S**

(45) **Date of Patent:** **** Oct. 24, 2006**

(54) **CONNECTOR ASSEMBLY**

(75) Inventors: **Dustin Brown**, Coppel, TX (US);
Bryan Hyncek, Plano, TX (US)

(73) Assignee: **RadioShack Corporation**, Fort Worth,
TX (US)

(**) Term: **14 Years**

(21) Appl. No.: **29/237,260**

(22) Filed: **Aug. 29, 2005**

(51) **LOC (8) Cl.** **13-03**

(52) **U.S. Cl.** **D13/133**

(58) **Field of Classification Search** D13/123,
D13/133, 146, 149, 154, 184, 199; 439/491,
439/578, 583-584, 668-669, 675, 751, 825
See application file for complete search history.

(56) **References Cited**

U.S. PATENT DOCUMENTS

| | | | | | |
|-------------|---|---------|------------|-------|---------|
| D137,704 S | * | 4/1944 | Drury | | D13/133 |
| 3,008,116 A | * | 11/1961 | Blanchenot | | 439/317 |
| 4,497,530 A | * | 2/1985 | Shannon | | 439/312 |
| D298,931 S | * | 12/1988 | Sekiguchi | | D13/147 |

| | | | | | |
|--------------|---|---------|----------------|-------|---------|
| 4,932,897 A | * | 6/1990 | Lee et al. | | 439/578 |
| D327,872 S | * | 7/1992 | McMills et al. | | D13/133 |
| D368,697 S | * | 4/1996 | Hoard | | D13/133 |
| 5,800,211 A | * | 9/1998 | Stabile et al. | | 439/578 |
| 5,802,710 A | * | 9/1998 | Bufanda et al. | | 29/828 |
| D509,474 S | * | 9/2005 | Bihrer | | D13/146 |
| 6,957,972 B1 | * | 10/2005 | Starke et al. | | 439/320 |

* cited by examiner

Primary Examiner—Stella Reid

Assistant Examiner—Daniel Bui

(74) *Attorney, Agent, or Firm*—David Matthews

(57) **CLAIM**

The ornamental design for a connector assembly, as shown and described.

DESCRIPTION

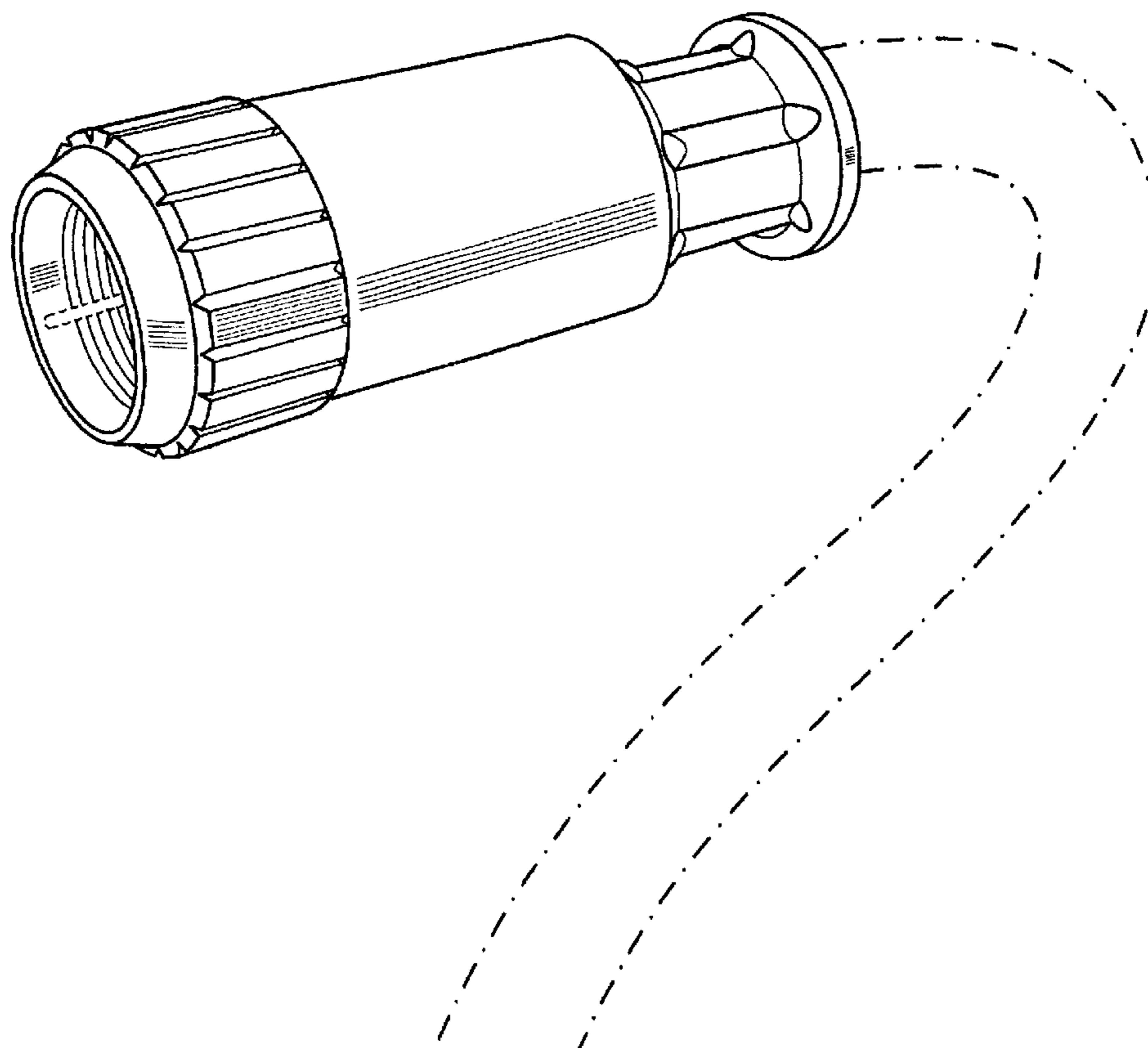
FIG. 1 is a perspective view of a connector assembly showing our new design.

FIG. 2 is a front elevational view thereof; and,

FIG. 3 is a top plan view of the distal end thereof.

The broken line showing of the environment is for illustrative purposes only and forms no part of the claimed design.

1 Claim, 2 Drawing Sheets



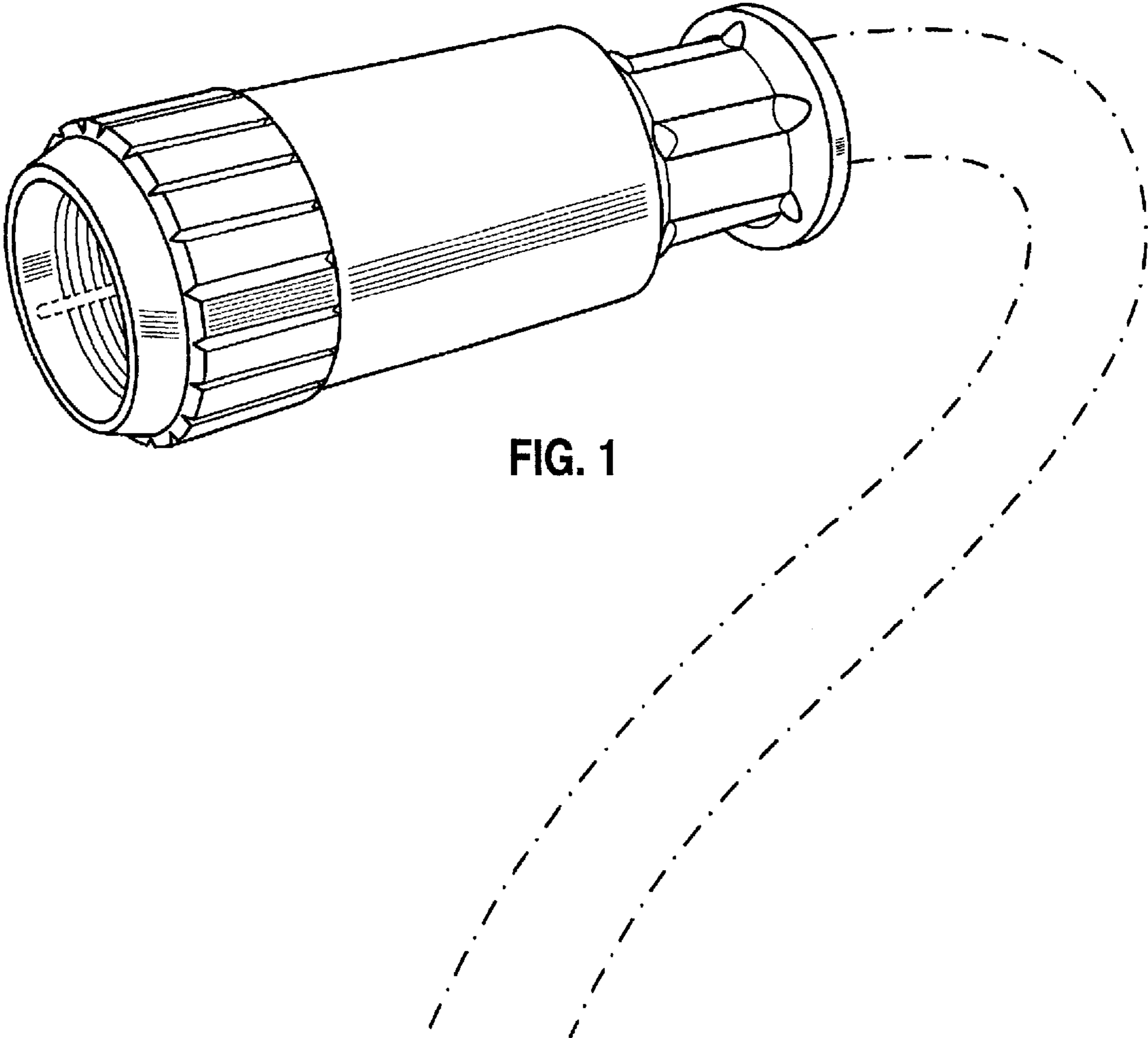


FIG. 1

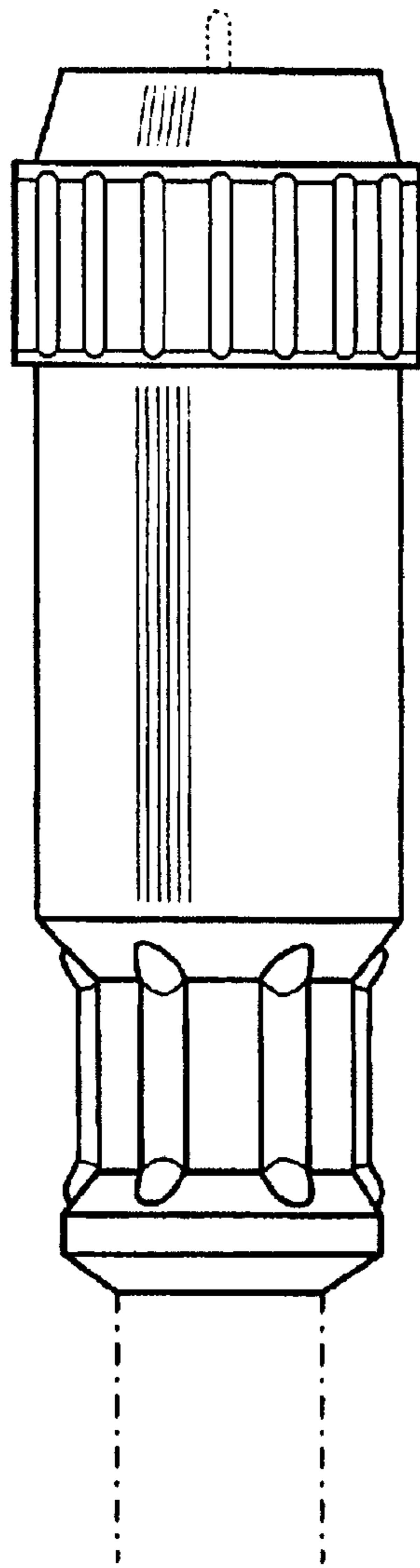


FIG. 2

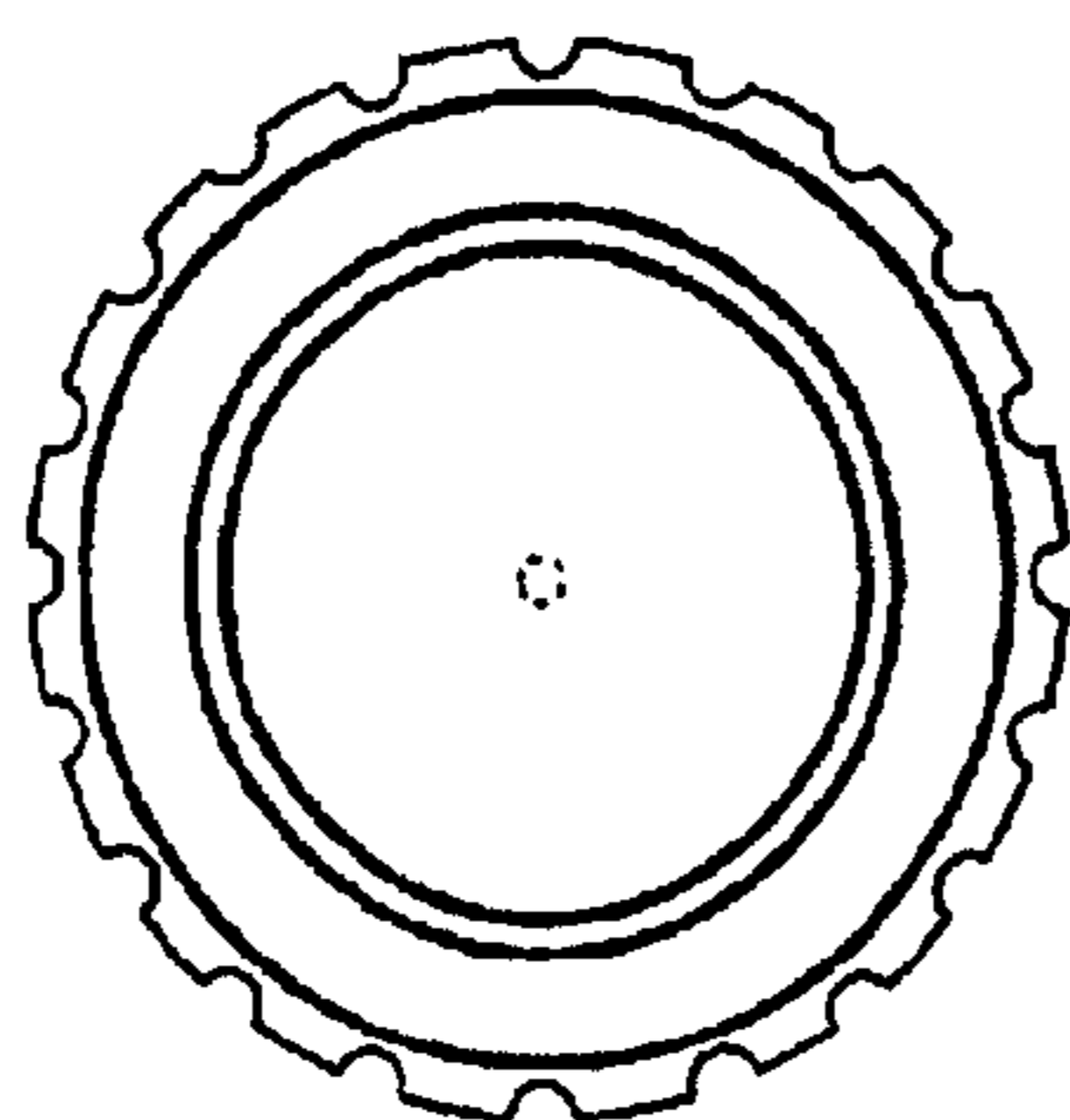


FIG. 3