



US00D530669S

(12) **United States Design Patent**
Shing

(10) **Patent No.:** **US D530,669 S**

(45) **Date of Patent:** **** Oct. 24, 2006**

(54) **RCA PLUG**

(76) **Inventor:** **Yuen Kim Shing**, 14A, Hung To
Commerical Bldg., 357-359 Lockhart
Rd., Wan Chai (HK)

(**) **Term:** **14 Years**

(21) **Appl. No.:** **29/198,727**

(22) **Filed:** **Feb. 3, 2004**

(51) **LOC (8) Cl.** **13-03**

(52) **U.S. Cl.** **D13/133**

(58) **Field of Classification Search** D13/123,
D13/133, 146, 149, 154, 184, 199; 439/491,
439/578, 583-584, 668-669, 675, 751, 825
See application file for complete search history.

(56) **References Cited**

U.S. PATENT DOCUMENTS

D137,704 S	*	4/1944	Drury	D13/133
D325,023 S	*	3/1992	Lee et al.	D13/133
D366,863 S	*	2/1996	Lee	D13/133
D367,036 S	*	2/1996	Lee	D13/133
5,529,513 A	*	6/1996	Lee	439/491
D371,762 S	*	7/1996	Lee	D13/133
D374,862 S	*	10/1996	Lee	D13/133

D376,580 S	*	12/1996	Lee	D13/133
D403,302 S	*	12/1998	Awbrey	D13/133
D413,569 S	*	9/1999	Peterson et al.	D13/133
D425,023 S	*	5/2000	Awbrey	D13/133
D450,297 S	*	11/2001	Lee	D13/133
D456,363 S	*	4/2002	Lee	D13/154

* cited by examiner

Primary Examiner—Stella Reid

Assistant Examiner—Daniel Bui

(74) *Attorney, Agent, or Firm*—Malloy & Malloy, P.A.

(57) **CLAIM**

The ornamental design for a RCA plug, as shown and described.

DESCRIPTION

FIG. 1 is a front perspective view illustrating my design for a RCA plug;

FIG. 2 is a front view thereof;

FIG. 3 is a left side view thereof;

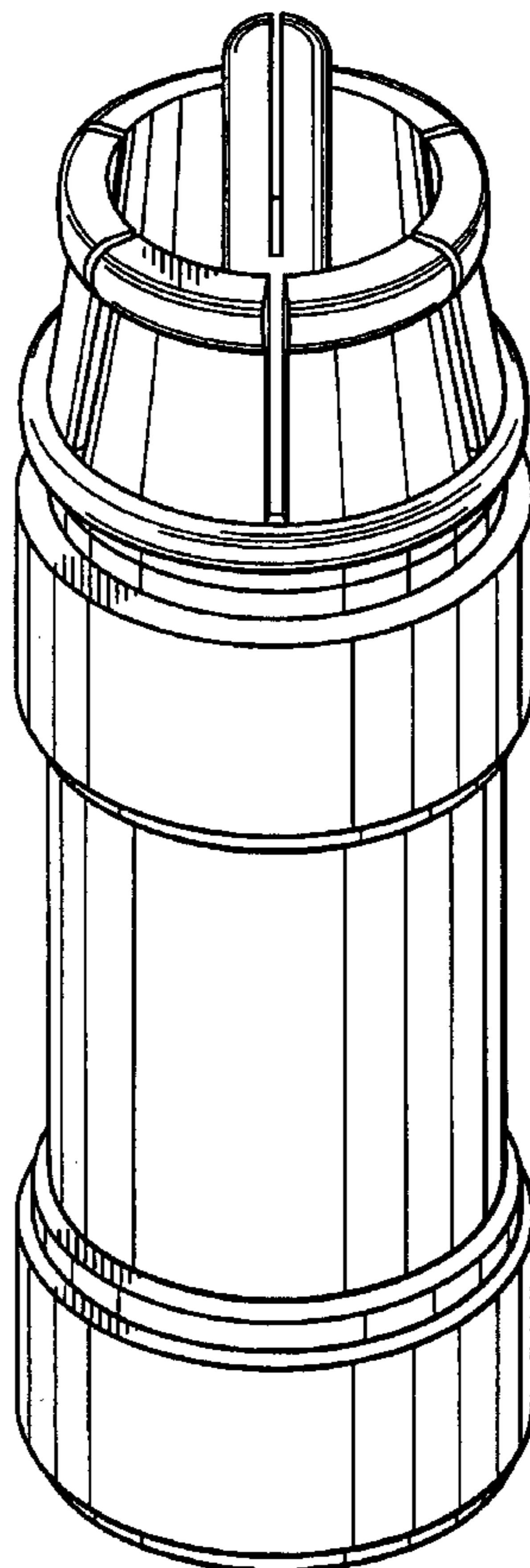
FIG. 4 is a top view thereof;

FIG. 5 is a right side view thereof;

FIG. 6 is a bottom view thereof; and,

FIG. 7 is a rear plan view thereof.

1 Claim, 3 Drawing Sheets



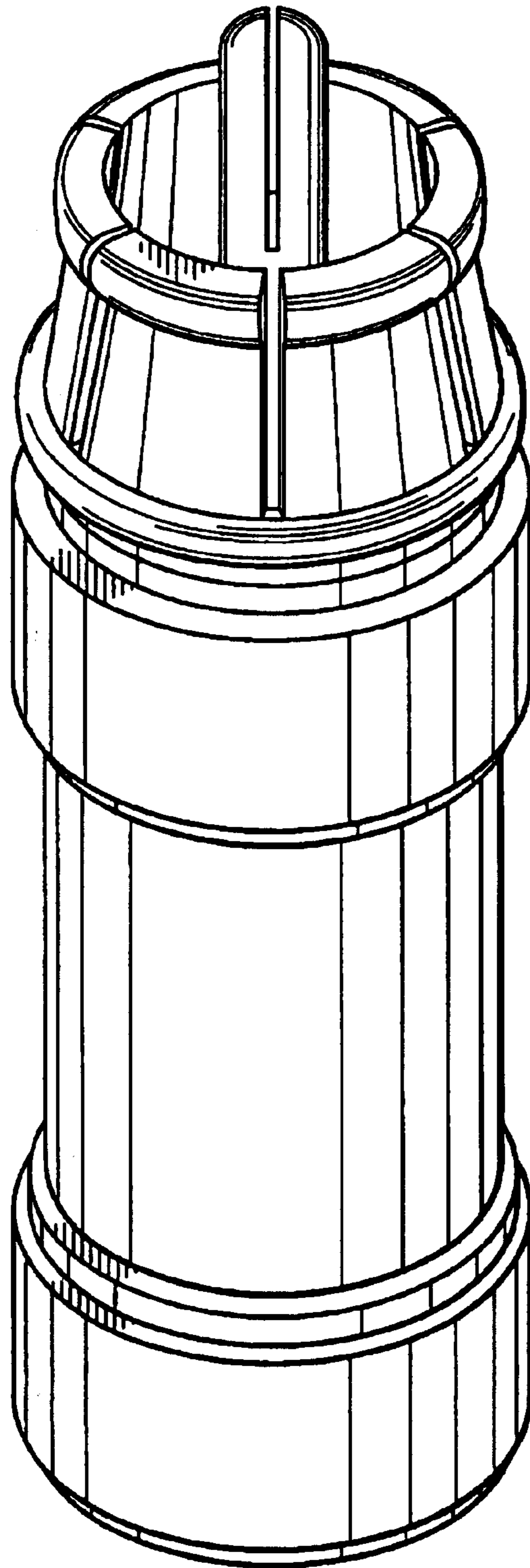


FIG. 1

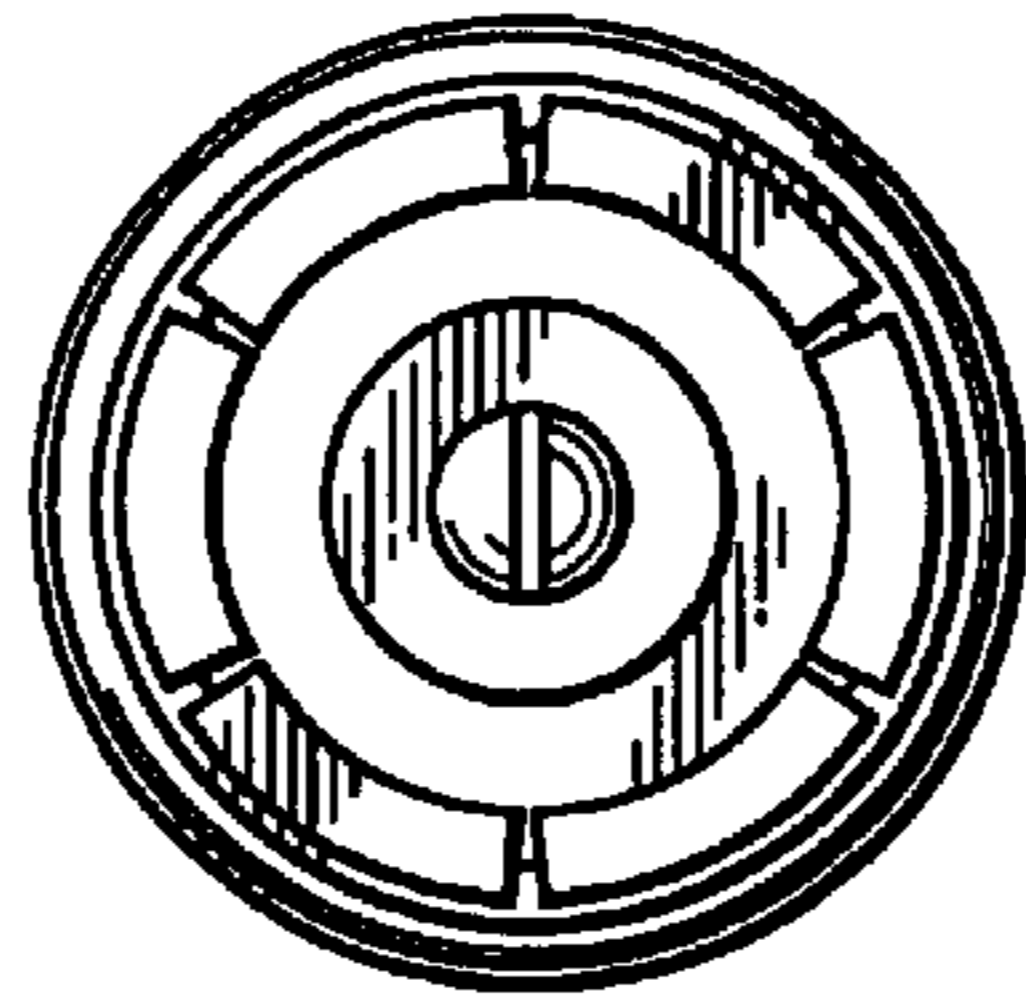


FIG. 4

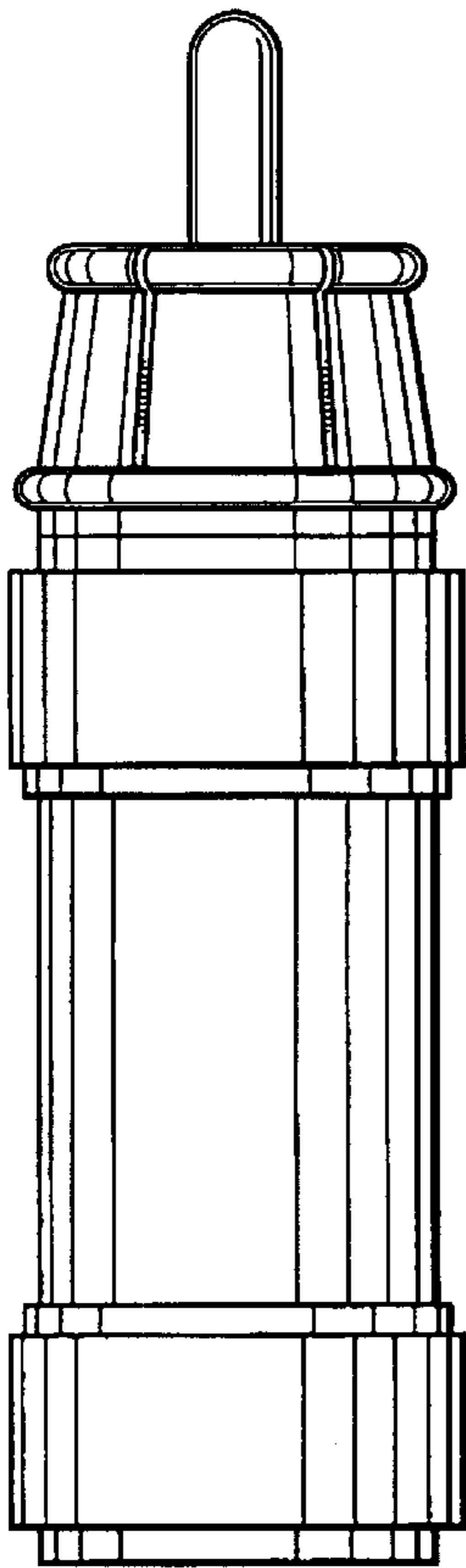


FIG. 3

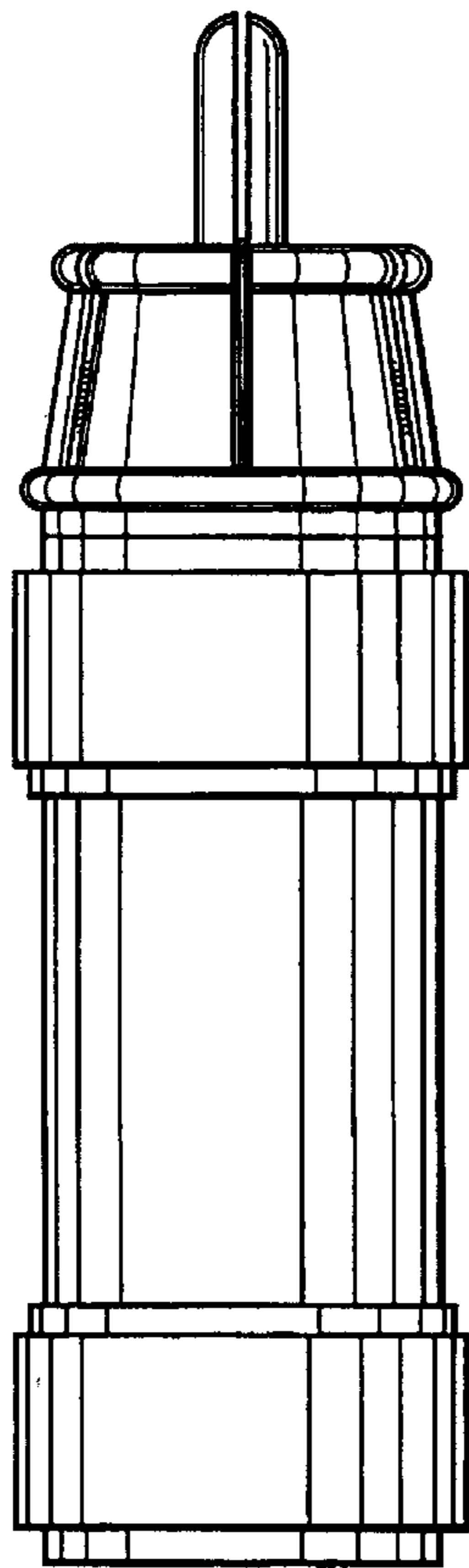


FIG. 2

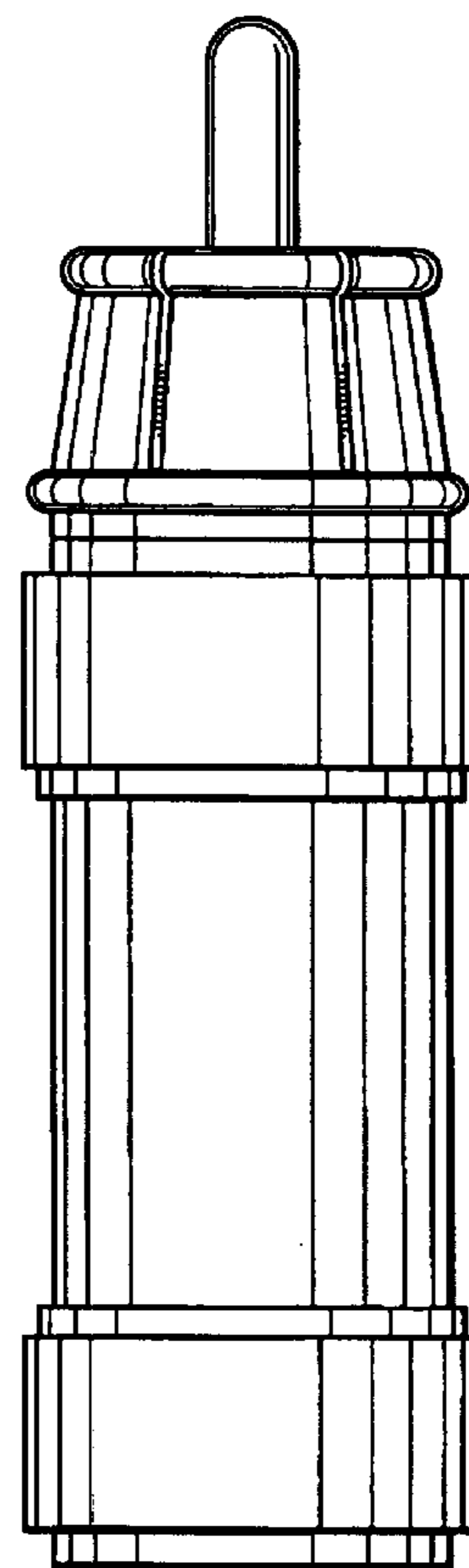


FIG. 5

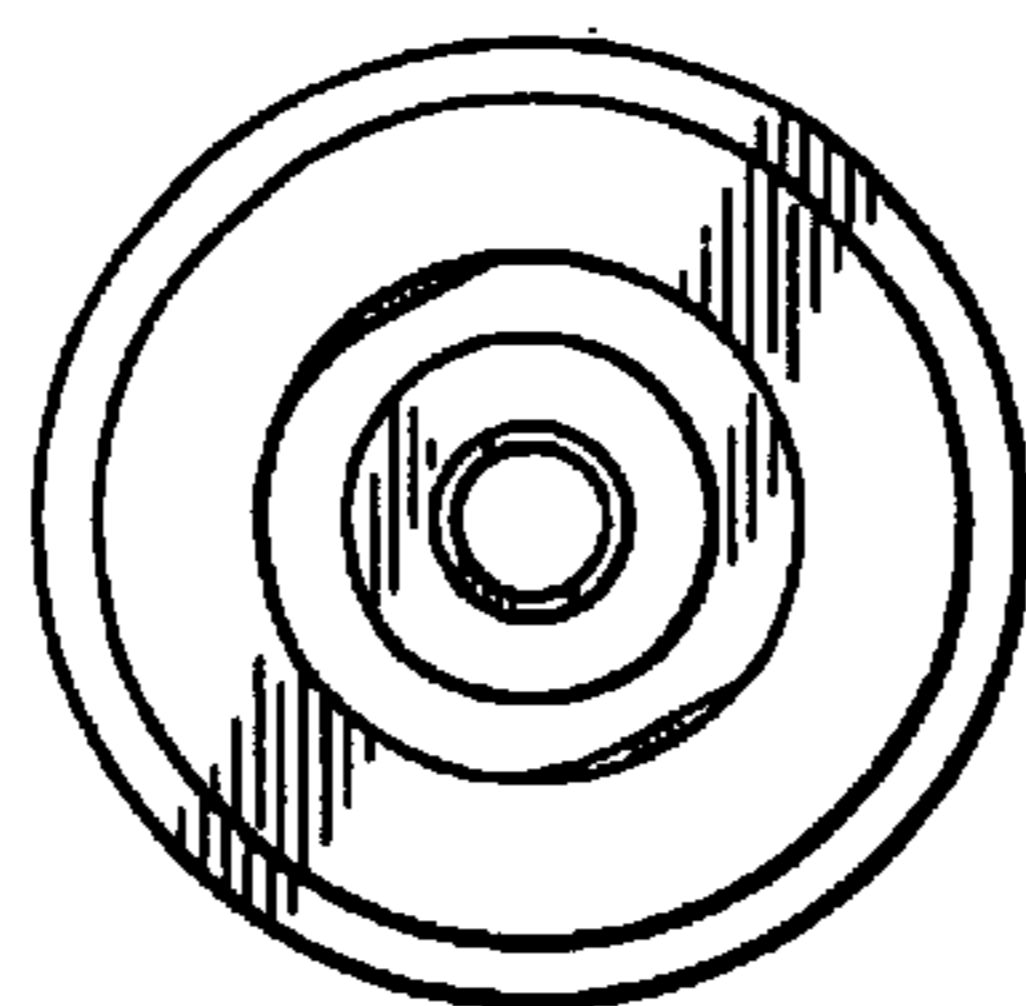


FIG. 6

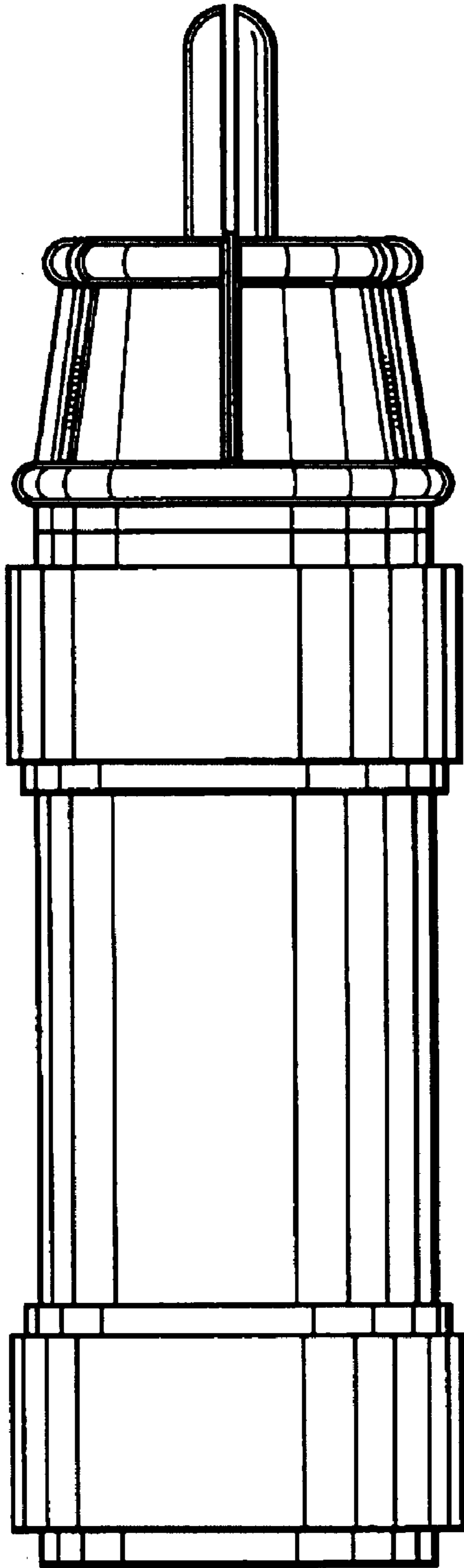


FIG. 7