



US00D530665S

(12) **United States Design Patent**  
**Krieger et al.**

(10) **Patent No.: US D530,665 S**

(45) **Date of Patent: \*\* Oct. 24, 2006**

(54) **JUMP STARTER**

(75) Inventors: **Michael Krieger**, Miami Beach, FL  
(US); **Kevin Ellsworth**, Alva, FL (US)

(73) Assignee: **Vector Products, Inc.**, Ft. Lauderdale,  
FL (US)

(\*\*) Term: **14 Years**

(21) Appl. No.: **29/234,356**

(22) Filed: **Jul. 18, 2005**

(51) **LOC (8) Cl.** ..... **13-02**

(52) **U.S. Cl.** ..... **D13/107**

(58) **Field of Classification Search** ..... D13/106-110,  
D13/118, 184; D14/251, 253; 320/103-105,  
320/107-115

See application file for complete search history.

(56) **References Cited**

U.S. PATENT DOCUMENTS

D432,985 S	*	10/2000	Wan	.....	D13/107
D444,125 S	*	6/2001	Shy	.....	D13/110
D484,852 S	*	1/2004	James et al.	.....	D13/107
D493,418 S	*	7/2004	Krieger et al.	.....	D13/107
D493,419 S	*	7/2004	Krieger et al.	.....	D13/107
D493,420 S		7/2004	Krieger et al.		
D503,378 S	*	3/2005	Hussaini et al.	.....	D13/107
D504,396 S	*	4/2005	Hussaini et al.	.....	D13/107
D504,660 S	*	5/2005	Krieger et al.	.....	D13/107
D504,661 S	*	5/2005	Krieger et al.	.....	D13/107
D504,869 S	*	5/2005	Krieger et al.	.....	D13/107

D505,914 S	*	6/2005	Krieger et al.	.....	D13/107
D506,181 S	*	6/2005	Krieger et al.	.....	D13/107
D506,973 S	*	7/2005	Krieger et al.	.....	D13/107
D507,524 S	*	7/2005	Krieger et al.	.....	D13/107
D510,723 S	*	10/2005	Krieger et al.	.....	D13/107
D511,135 S		11/2005	Krieger et al.		
2004/0239290 A1	*	12/2004	Krieger	.....	320/105

\* cited by examiner

*Primary Examiner*—Alan P. Douglas

*Assistant Examiner*—Rosemary K. Tarcza

(74) *Attorney, Agent, or Firm*—Venable LLP; Robert Kinberg; Manni Li

(57) **CLAIM**

The ornamental design for a jump starter, as shown and described.

**DESCRIPTION**

FIG. 1 is a perspective view from the front-top-right side of the jump starter showing our new design;

FIG. 2 is a front view of the design shown in FIG. 1;

FIG. 3 is a rear view of the design shown in FIG. 1;

FIG. 4 is a left side view of the design shown in FIG. 1;

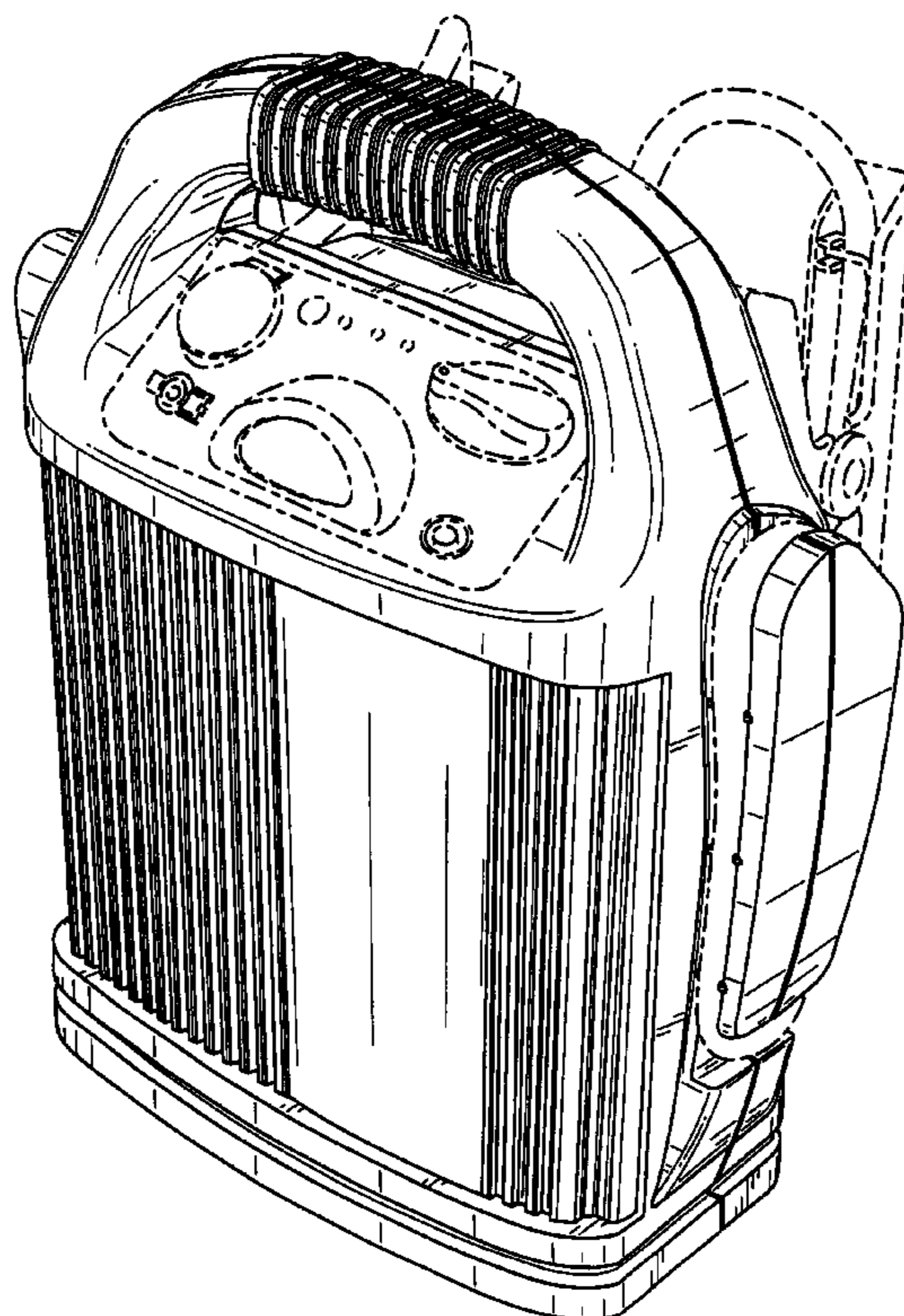
FIG. 5 is a right side view of the design shown in FIG. 1;

FIG. 6 is a top view of the design shown in FIG. 1; and,

FIG. 7 is a bottom view of the design shown in FIG. 1.

The broken lines immediately adjacent the shaded areas represent the bounds of the claimed design while all other broken lines are for illustrative purposes only; the broken lines form no part of the claimed design.

**1 Claim, 7 Drawing Sheets**



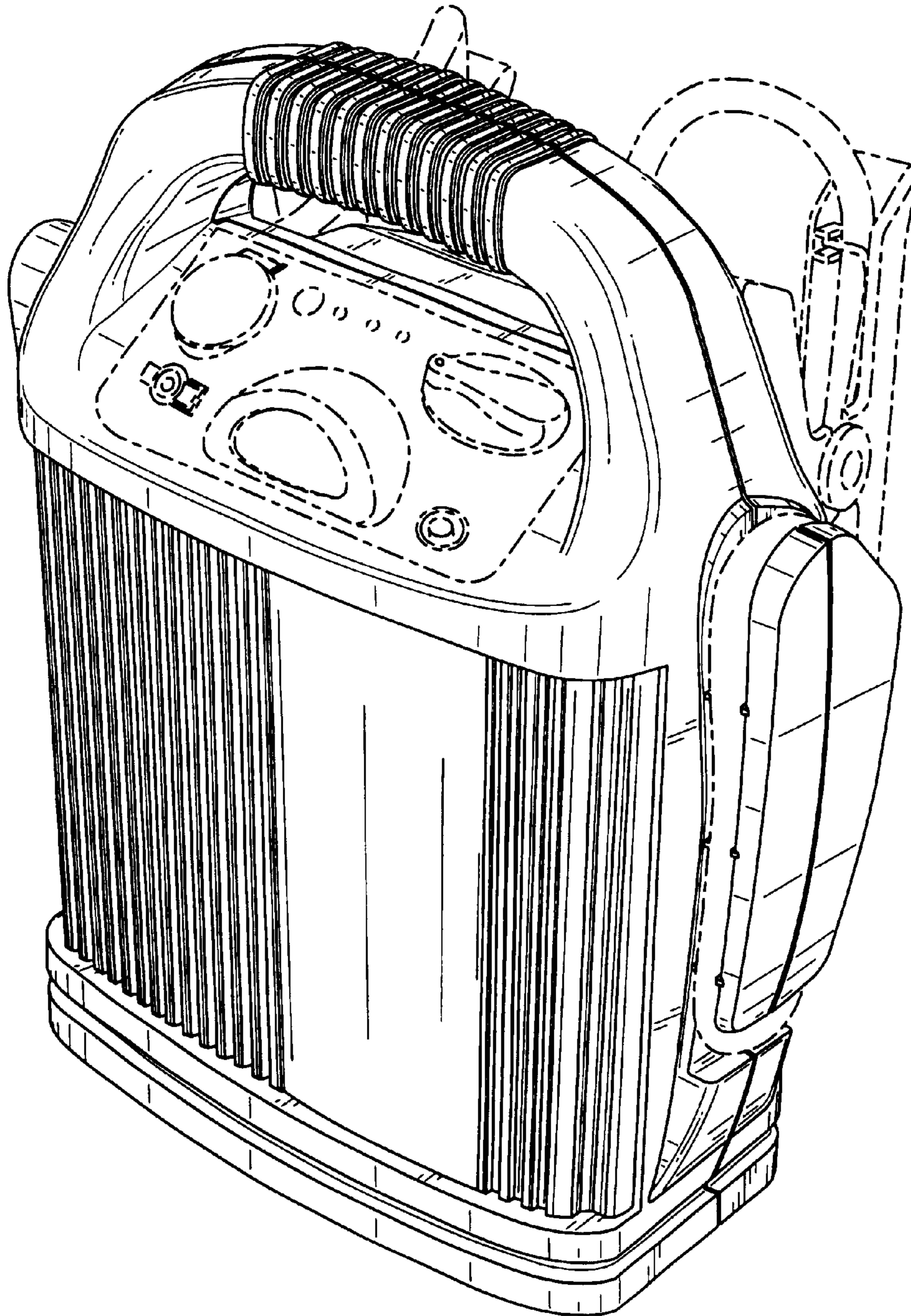


FIG. 1

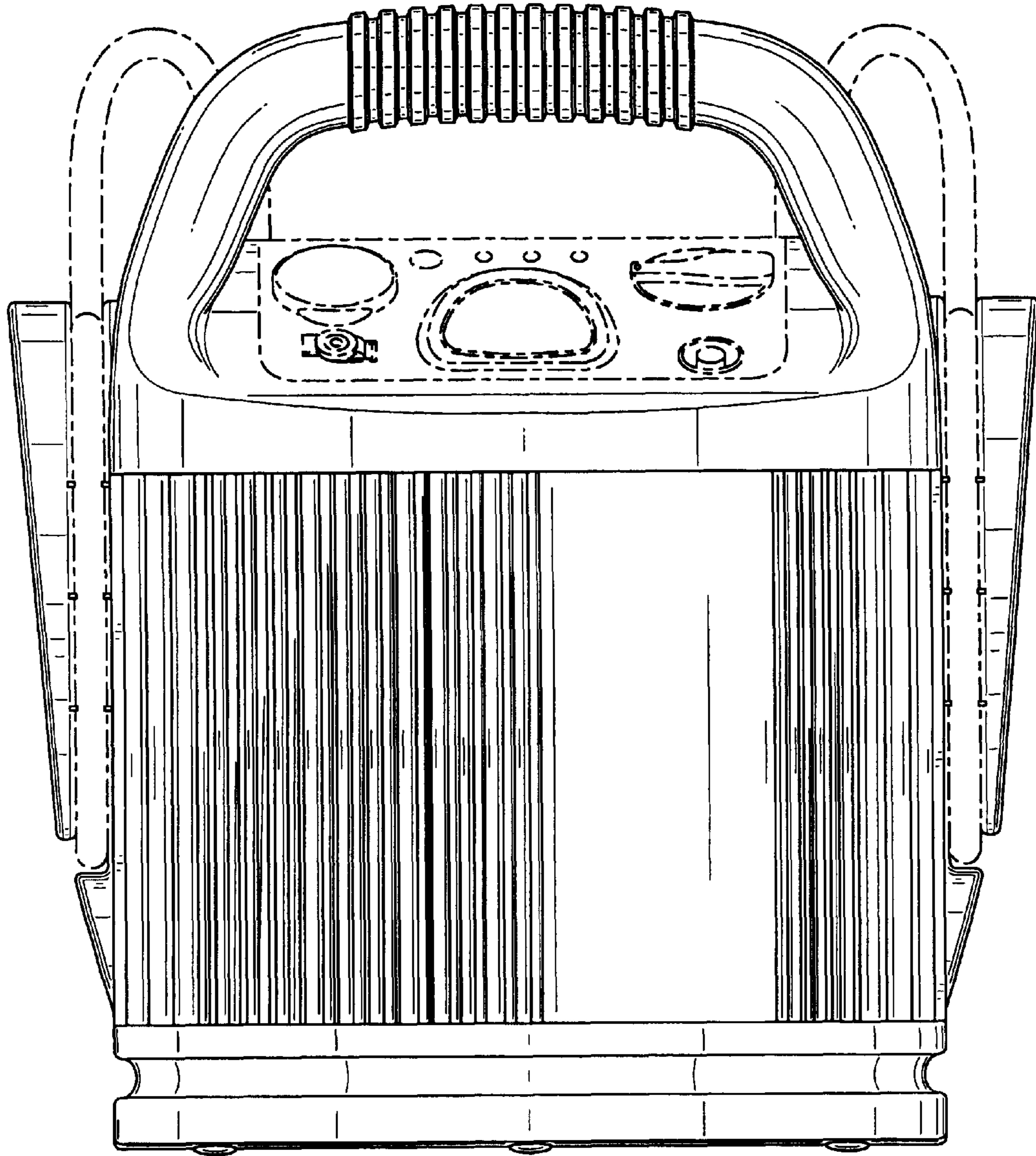


FIG. 2



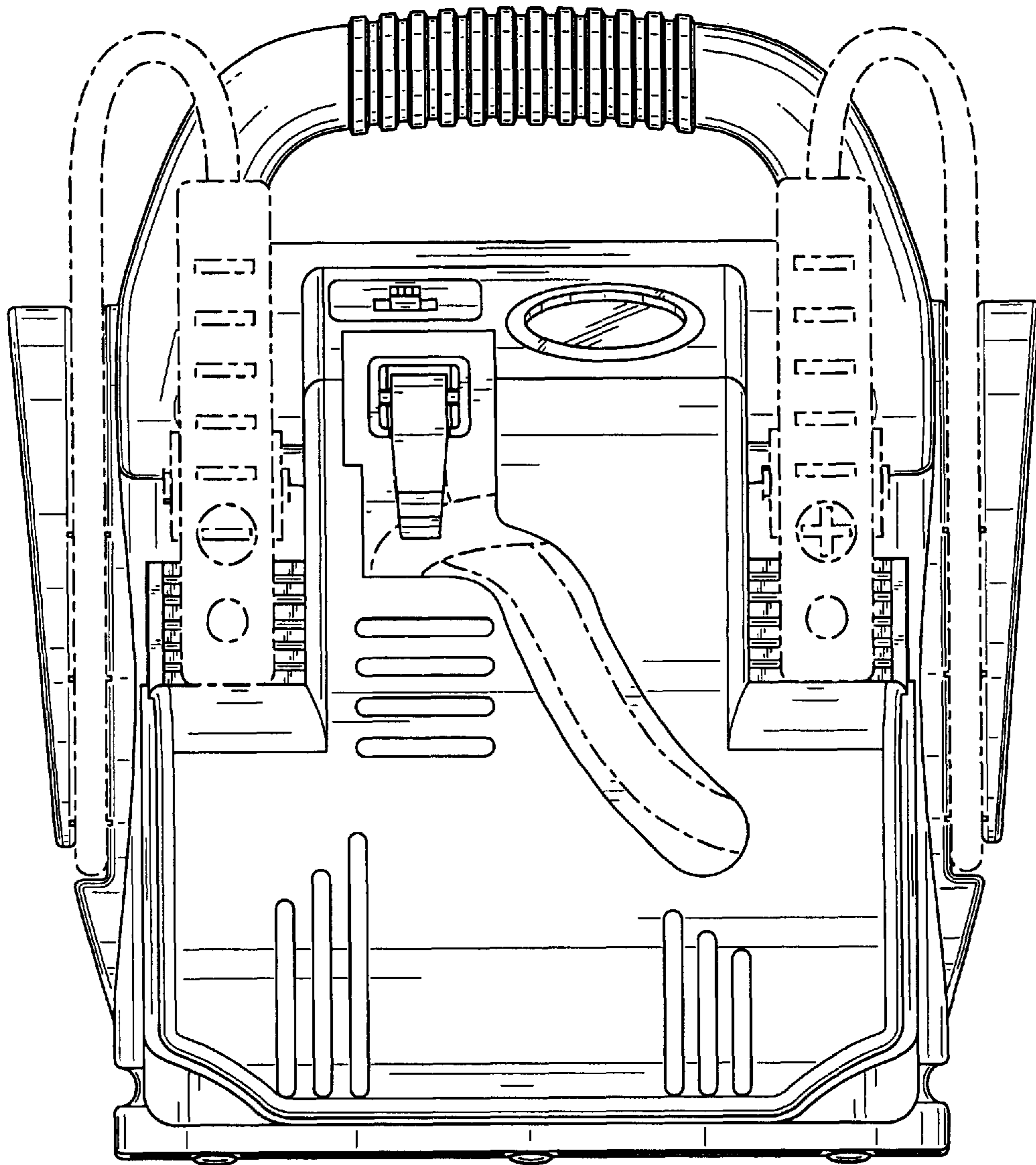


FIG. 3

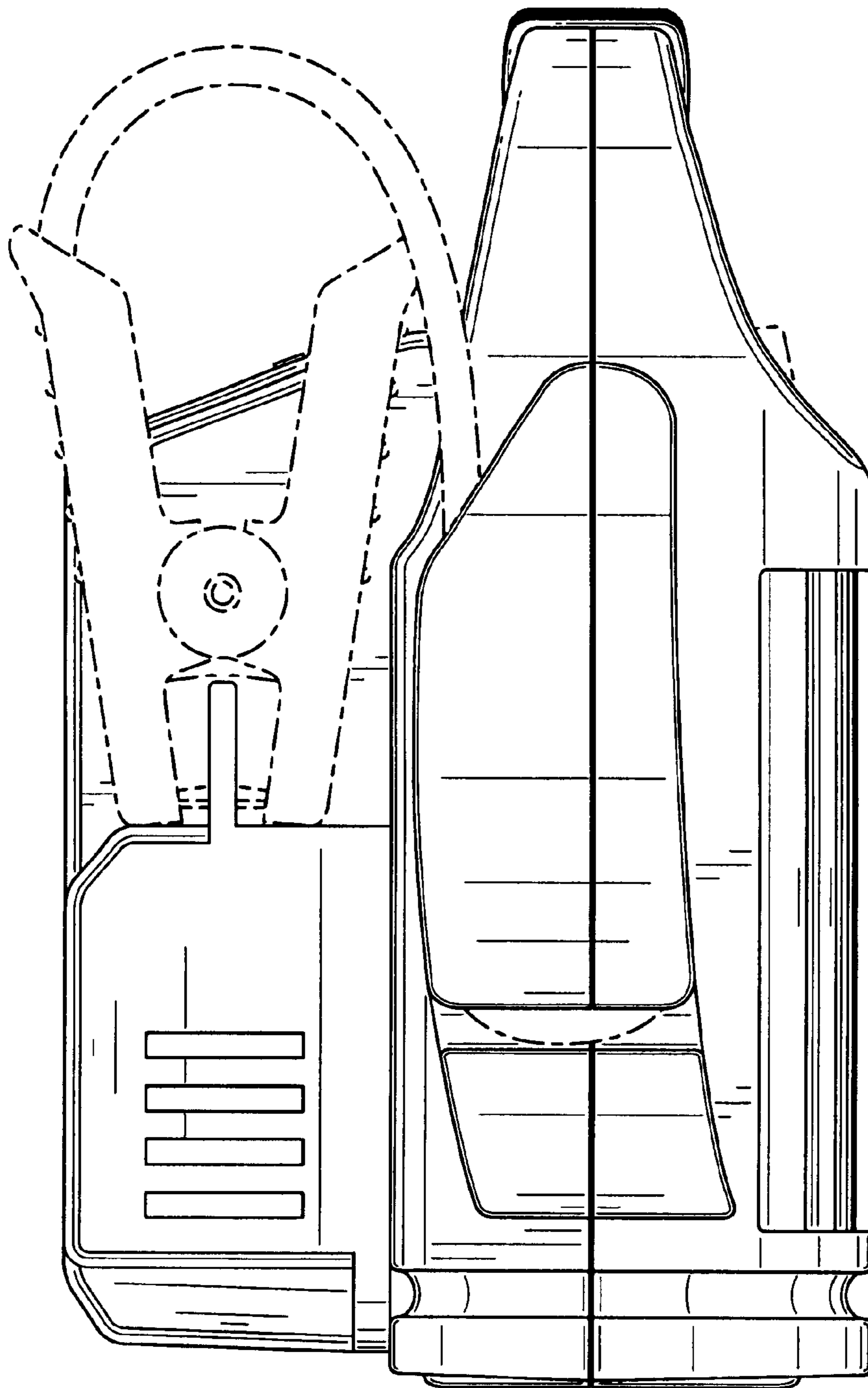


FIG. 4

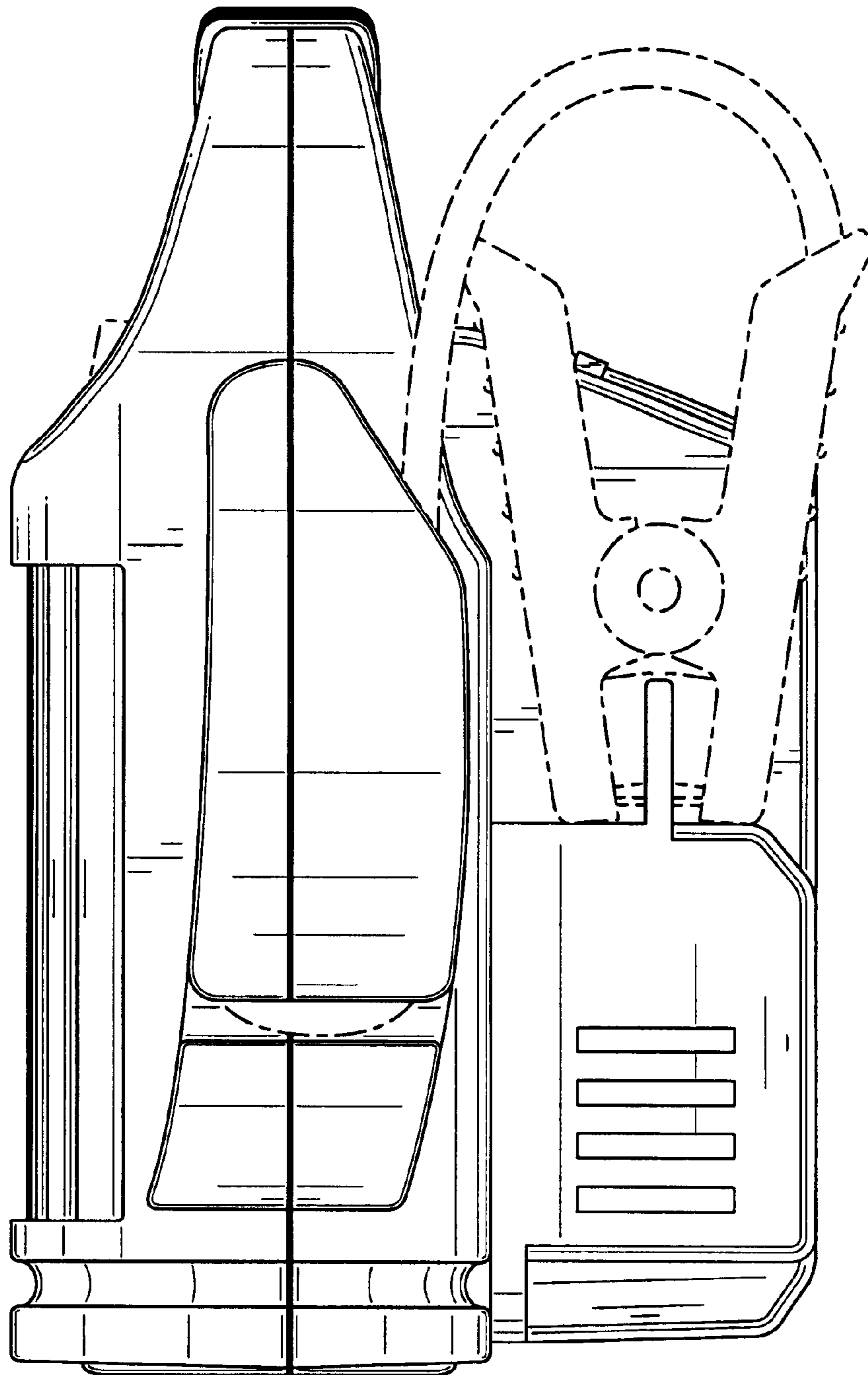


FIG. 5

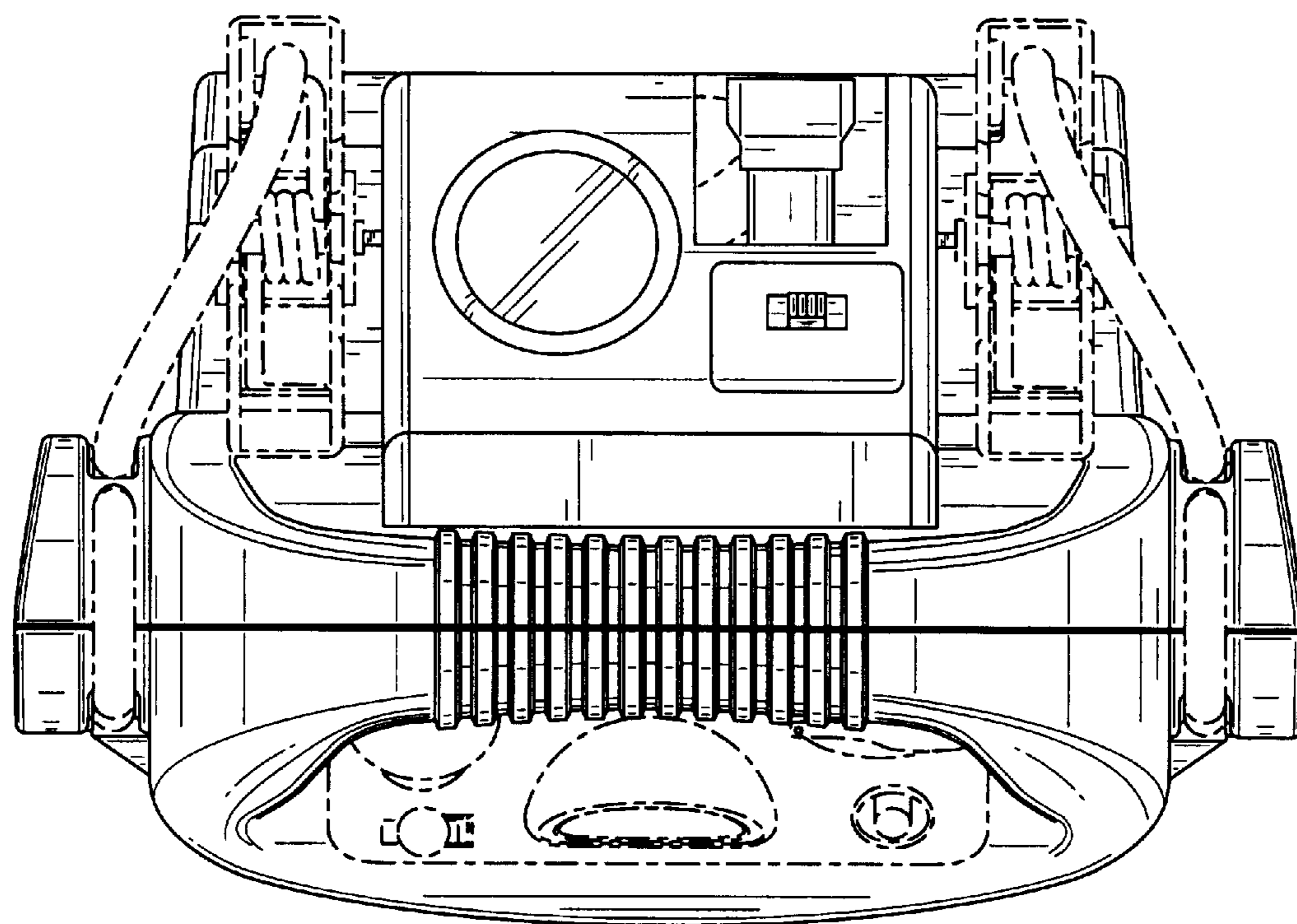


FIG. 6

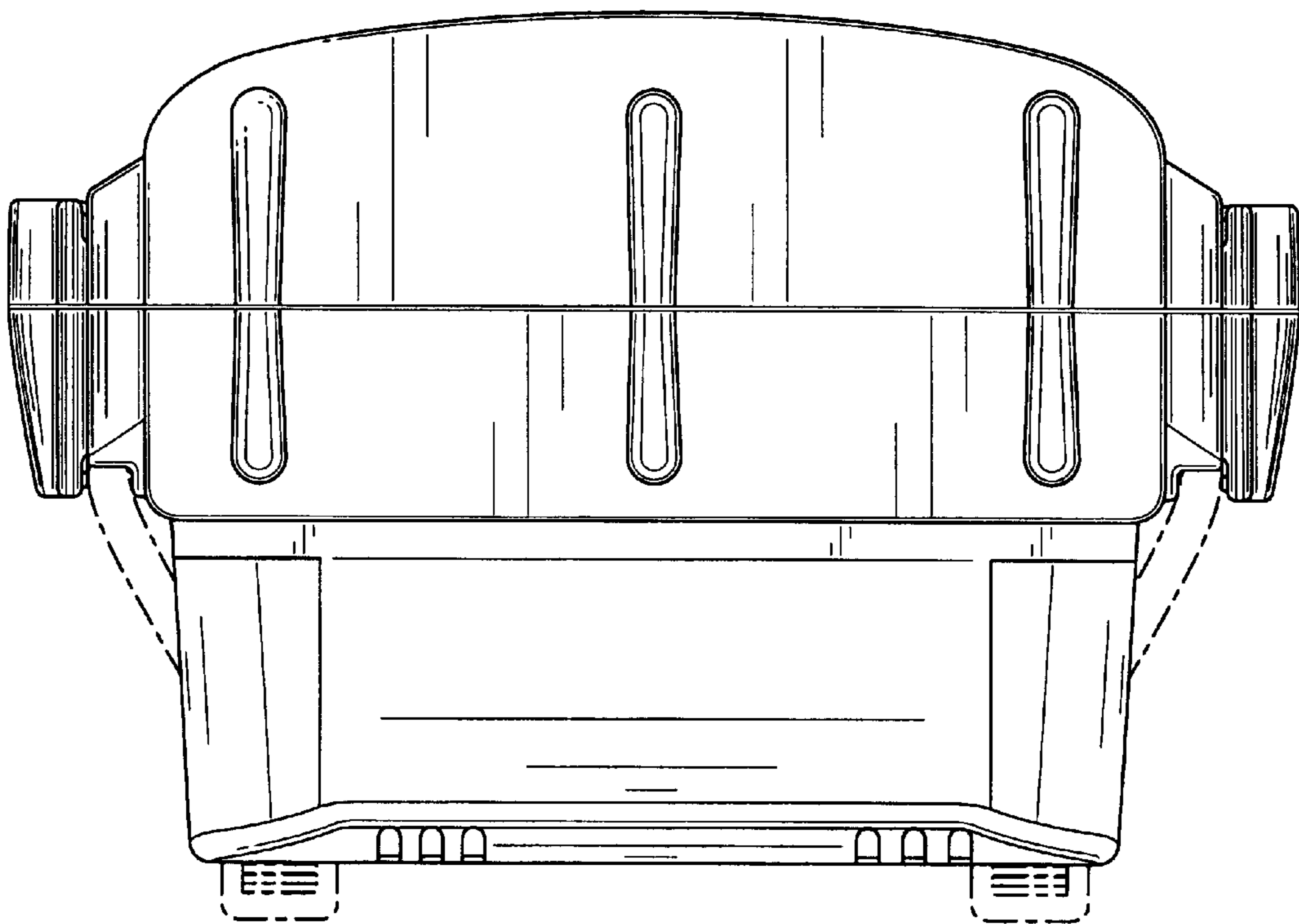


FIG. 7