



US00D530663S

(12) **United States Design Patent**
Curello et al.

(10) **Patent No.:** **US D530,663 S**

(45) **Date of Patent:** **** Oct. 24, 2006**

(54) **FUEL SUPPLY FOR FUEL CELLS**
(75) Inventors: **Andrew J. Curello**, Hamden, CT (US);
Ken Cooper, Orange, CT (US);
Constance R. Stepan, Oxford, CT (US)

(73) Assignee: **Societe BIC**, Clichy Cedex (FR)

(**) Term: **14 Years**

(21) Appl. No.: **29/205,092**

(22) Filed: **May 7, 2004**

(51) **LOC (8) Cl.** **13-02**

(52) **U.S. Cl.** **D13/103; D13/104**

(58) **Field of Classification Search** D13/102-106,
D13/110, 118-119, 184; 429/96-100, 163,
429/176

See application file for complete search history.

(56) **References Cited**

U.S. PATENT DOCUMENTS

D240,630 S	*	7/1976	Matsutani	D13/102
D269,088 S	*	5/1983	Genaro et al.	D14/137
D323,642 S	*	2/1992	Liao	D13/119
D329,634 S	*	9/1992	Mizusugi et al.	D13/103
D335,277 S	*	5/1993	Hattori	D13/103
D363,055 S	*	10/1995	Kobayashi et al.	D13/103
D402,641 S	*	12/1998	Heijnen	D13/184

D412,486 S	*	8/1999	Gray et al.	D13/103
D417,861 S	*	12/1999	Maeyama	D13/103
D431,808 S	*	10/2000	Ogasawara	D13/103
D477,275 S	*	7/2003	Wada	D13/103
6,610,443 B1	*	8/2003	Paulot et al.	429/181
2004/0062985 A1	*	4/2004	Aamodt et al.	429/176

* cited by examiner

Primary Examiner—Alan P. Douglas

Assistant Examiner—Rosemary K. Tarcza

(74) *Attorney, Agent, or Firm*—The H.T. Than Law Group

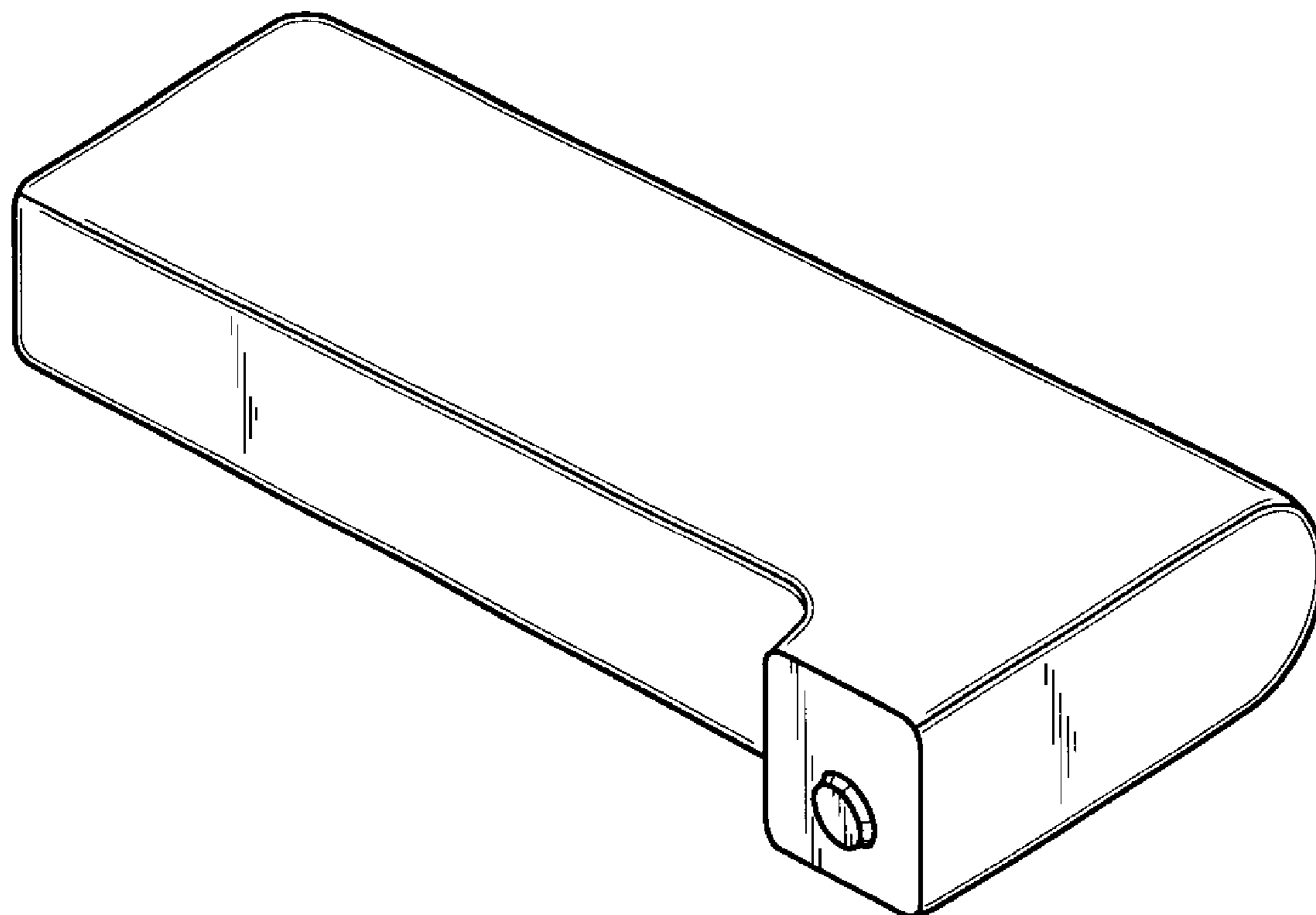
(57) **CLAIM**

The ornamental design for a fuel supply for fuel cells, as shown and described.

DESCRIPTION

FIG. 1 is a perspective view of a fuel supply for fuel cells showing our new design;
FIG. 2 is a top view thereof;
FIG. 3 is a bottom view thereof;
FIG. 4 is a front view thereof;
FIG. 5 is a back view thereof;
FIG. 6 is an end view thereof;
FIG. 7 is the other end view thereof; and,
FIG. 8 is a perspective view thereof with a background shown in broken lines, said broken lines are for illustrative purposes only.

1 Claim, 3 Drawing Sheets



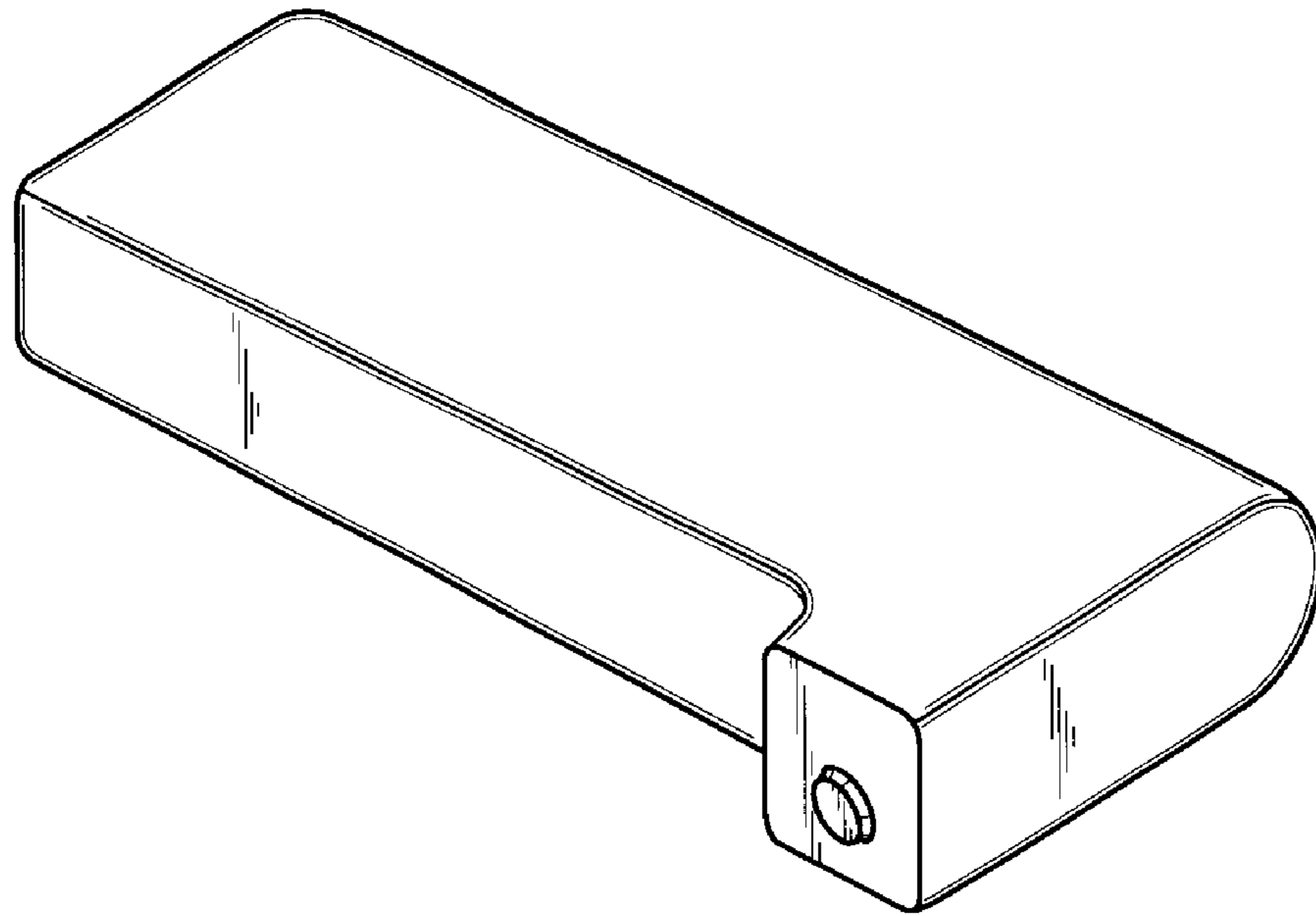


Fig. 1

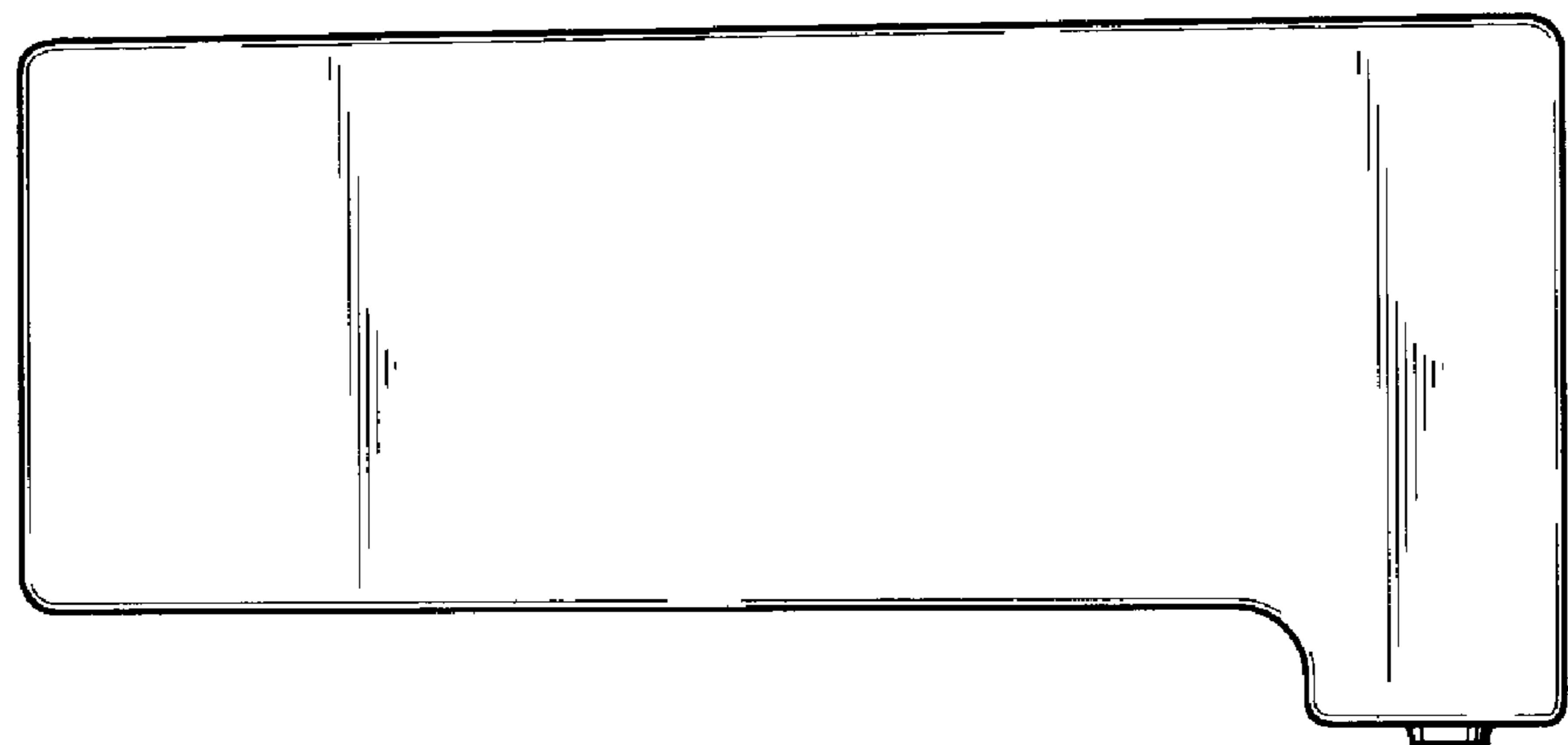


Fig. 2

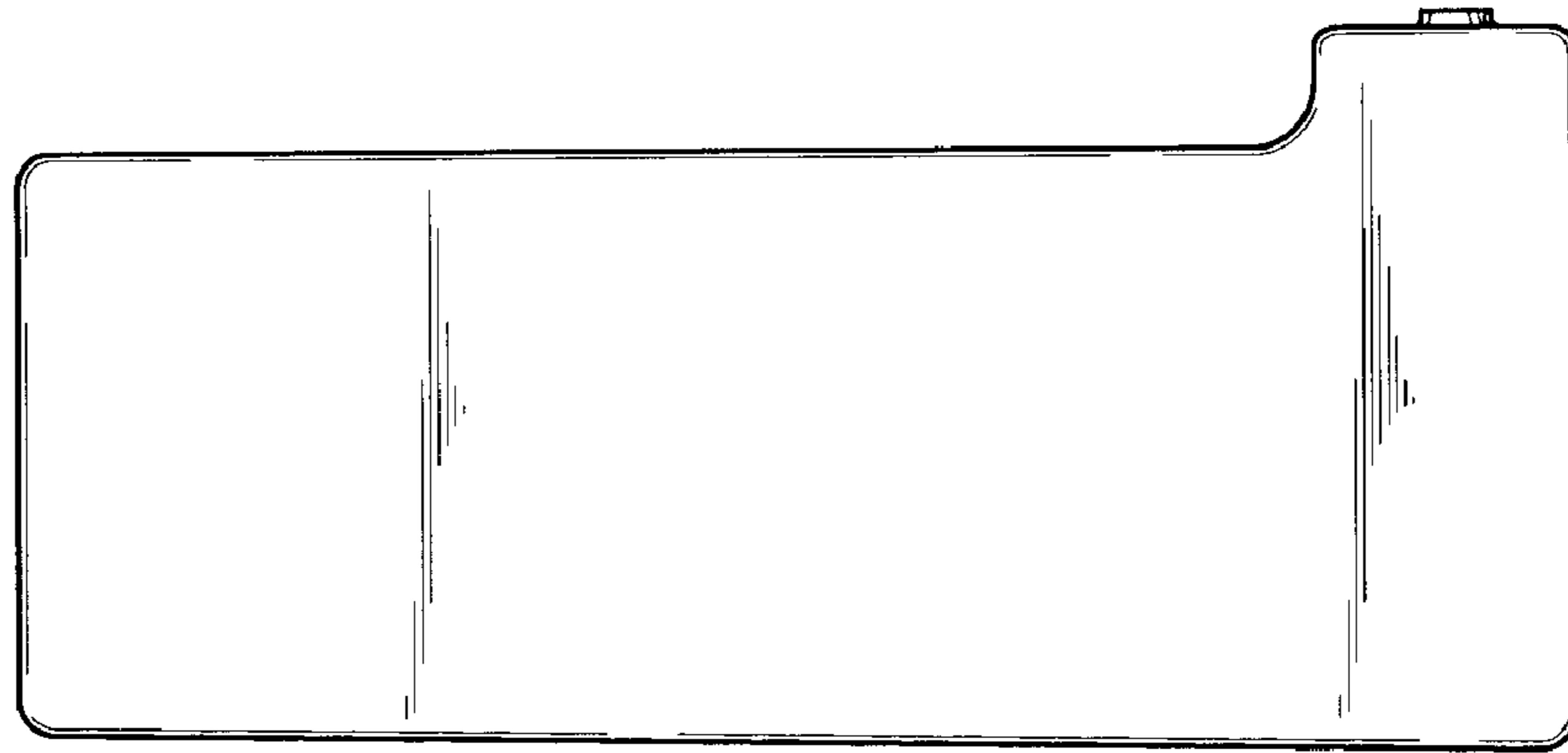


Fig. 3

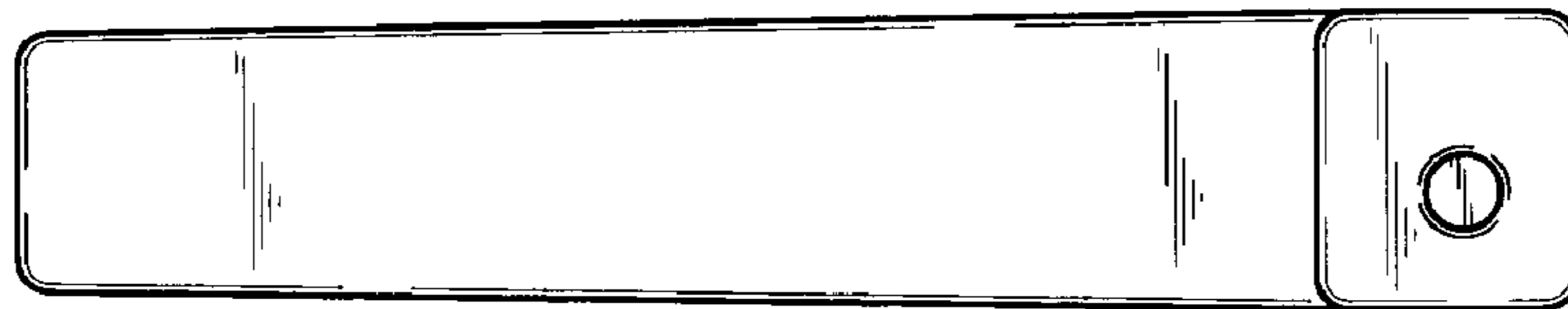


Fig. 4

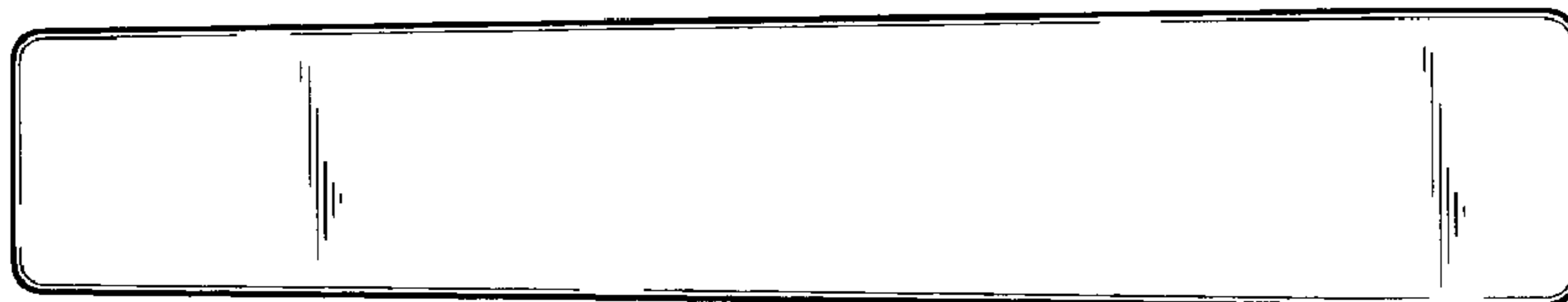


Fig. 5

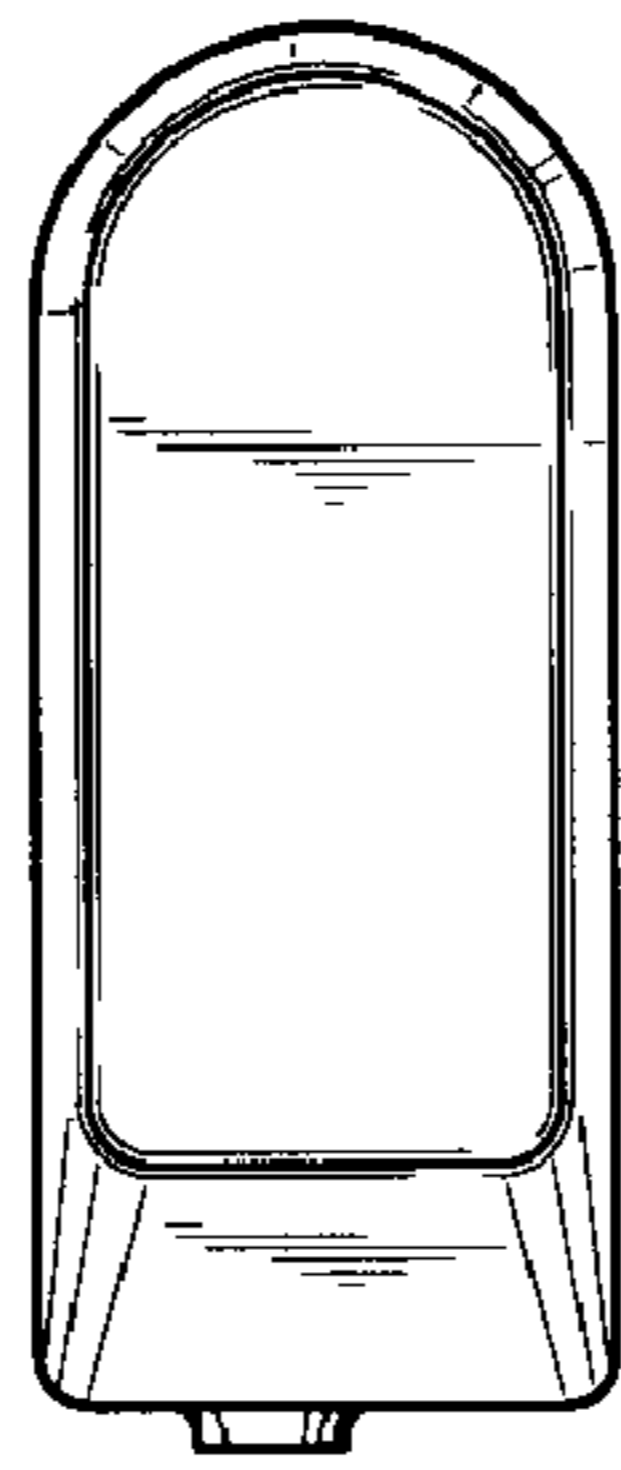


Fig. 6

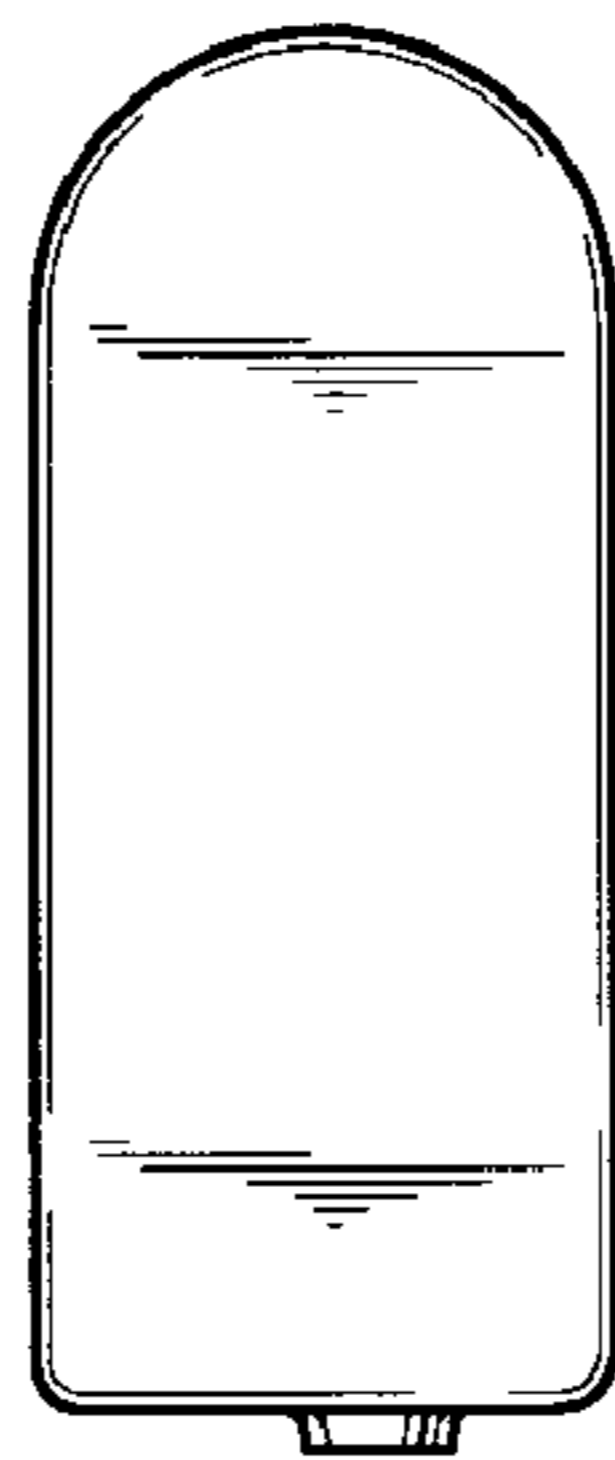


Fig. 7

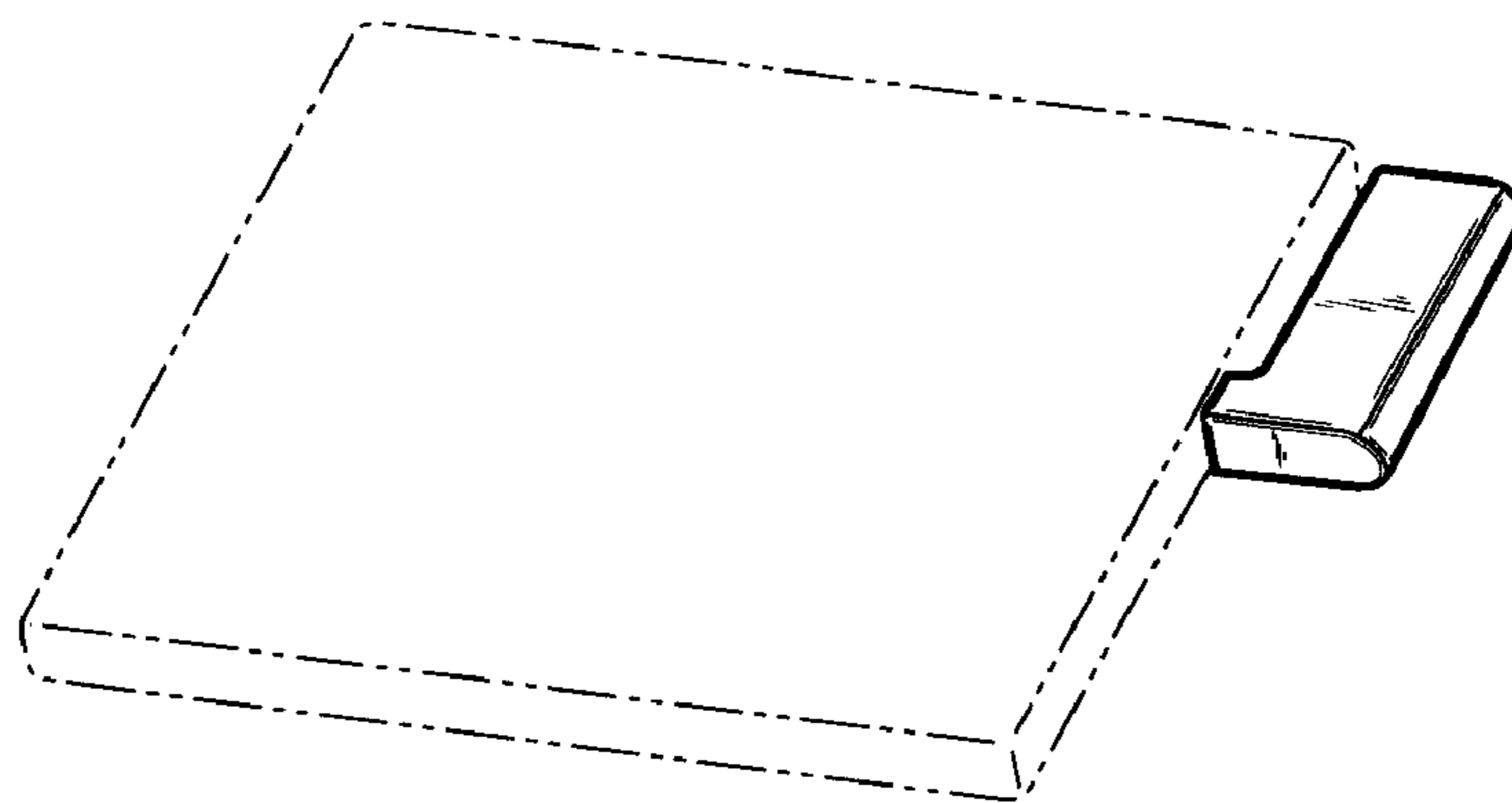


Fig. 8