



US00D530662S

(12) **United States Design Patent**
Kokkonen et al.

(10) **Patent No.:** **US D530,662 S**

(45) **Date of Patent:** **** Oct. 24, 2006**

(54) **ENERGY PRODUCTION UNIT**

(75) Inventors: **Ville Kokkonen**, Helsinki (FI); **Niklas Lindfors**, Helsinki (FI); **Asko Pesonen**, Vantaa (FI); **Sampsa Piira**, Helsinki (FI); **Mikko Salonen**, Helsinki (FI)

(73) Assignee: **Wartsila Finland Oy**, Vaasa (FI)

(**) Term: **14 Years**

(21) Appl. No.: **29/218,341**

(22) Filed: **Nov. 30, 2004**

(30) **Foreign Application Priority Data**

May 31, 2004 (FI) M20040090

(51) **LOC (8) Cl.** **13-02**

(52) **U.S. Cl.** **D13/101**

(58) **Field of Classification Search** D13/101-103,
D13/184, 199; D23/202, 351-352; 220/86.2,
220/562, 746; 429/34, 96-100, 121, 163,
429/176

See application file for complete search history.

(56) **References Cited**

U.S. PATENT DOCUMENTS

D274,513 S * 7/1984 Frezzolini D13/103

D321,680 S * 11/1991 Blount et al. D13/103
5,510,205 A * 4/1996 Ozer 429/91
5,573,870 A * 11/1996 Andrews 429/96
D404,020 S * 1/1999 Zimmerman D12/218
6,455,189 B1 * 9/2002 Nadeau et al. 429/121
6,674,264 B1 * 1/2004 Sato et al. 320/101

* cited by examiner

Primary Examiner—Stella Reid

Assistant Examiner—Daniel Bui

(74) *Attorney, Agent, or Firm*—Smith-Hill and Bedell

(57) **CLAIM**

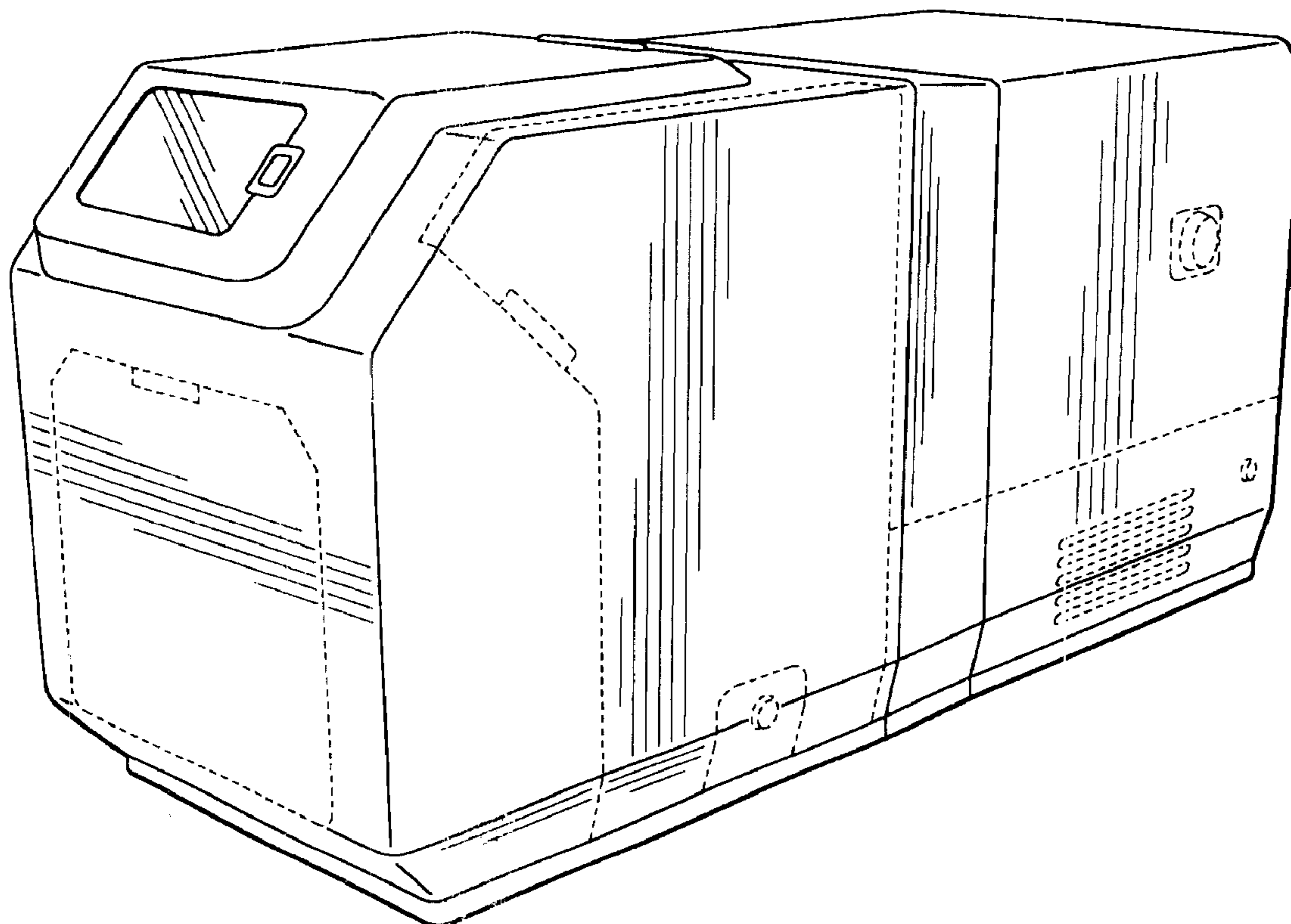
The ornamental design for an energy production unit, as shown and described.

DESCRIPTION

FIG. 1 is a perspective view from the left of an energy production unit showing our new design, FIG. 2 is a perspective view from the right thereof, FIG. 3 is a top plan view thereof, FIG. 4 is a right elevation thereof, FIG. 5 is a left elevation thereof, FIG. 6 is a front elevation thereof; and, FIG. 7 is a rear elevation thereof.

The broken line showing of the environment is for illustrative purposes only and forms no part of the claimed design.

1 Claim, 5 Drawing Sheets



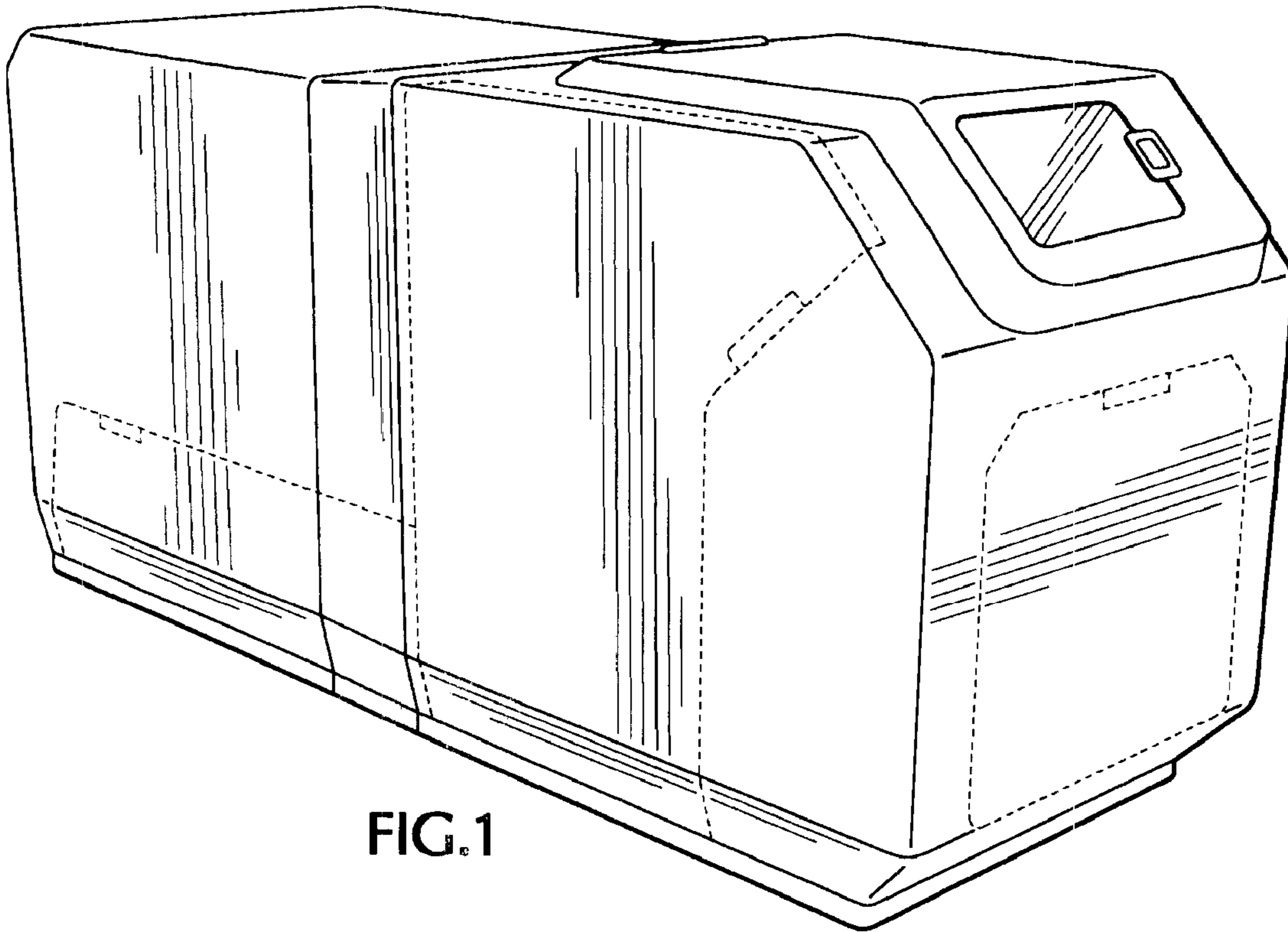


FIG. 1

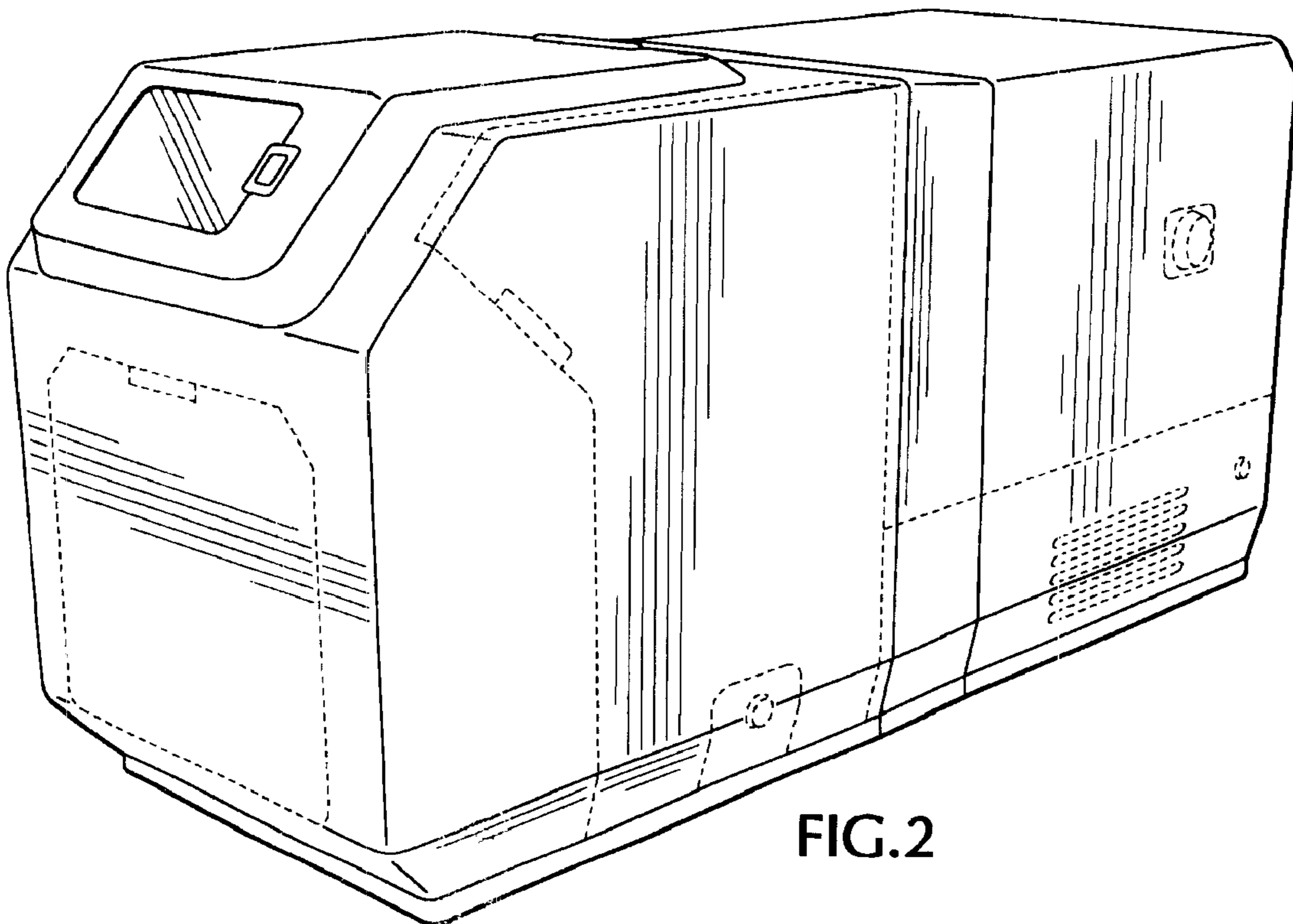


FIG. 2

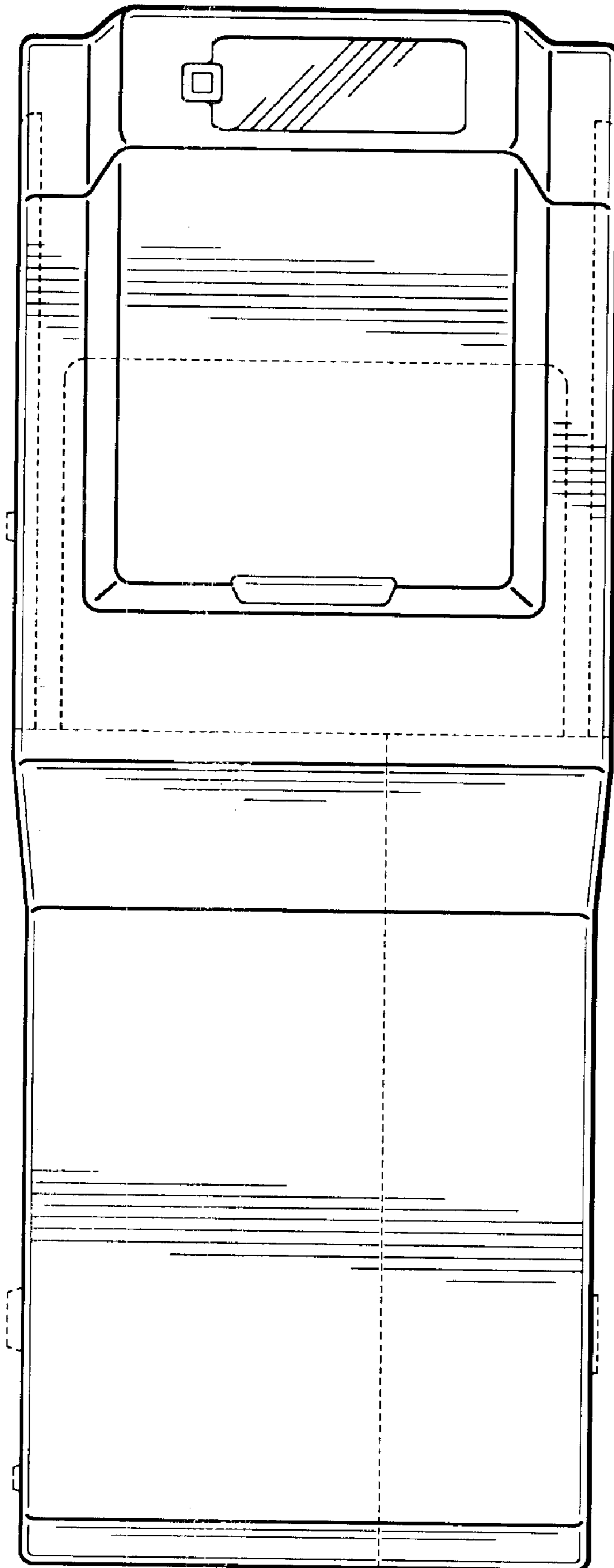


FIG. 3

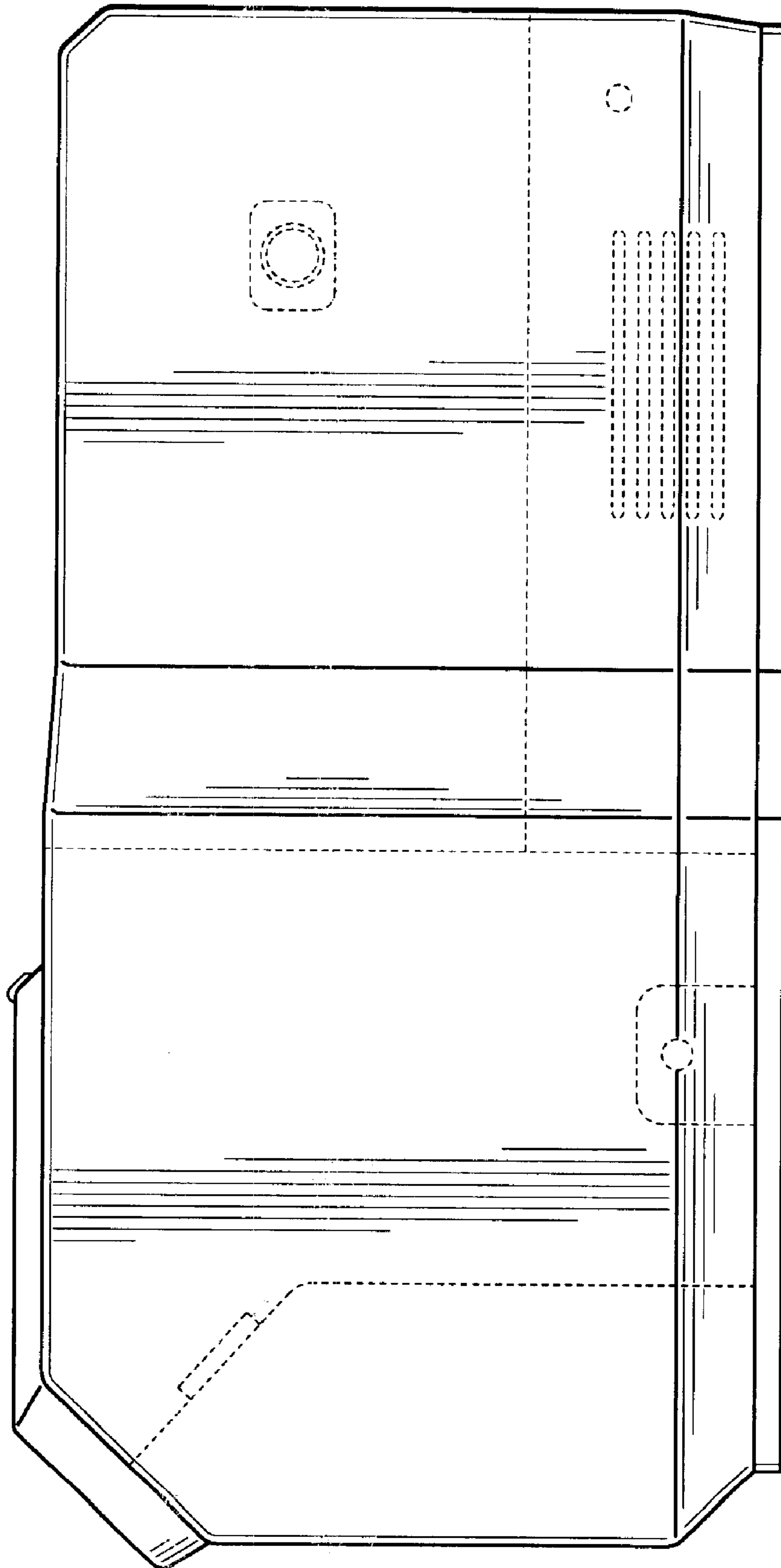


FIG.4

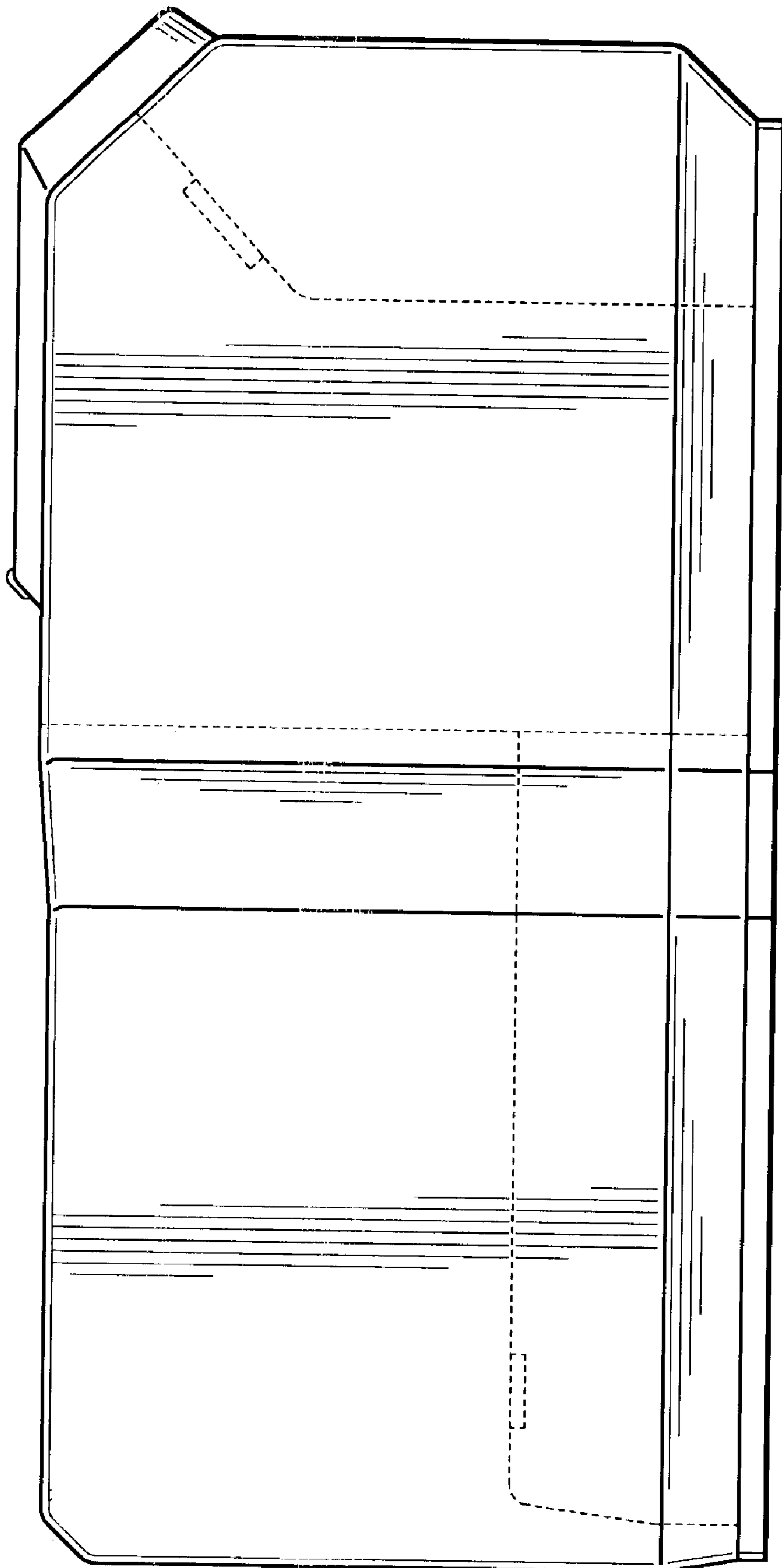


FIG.5

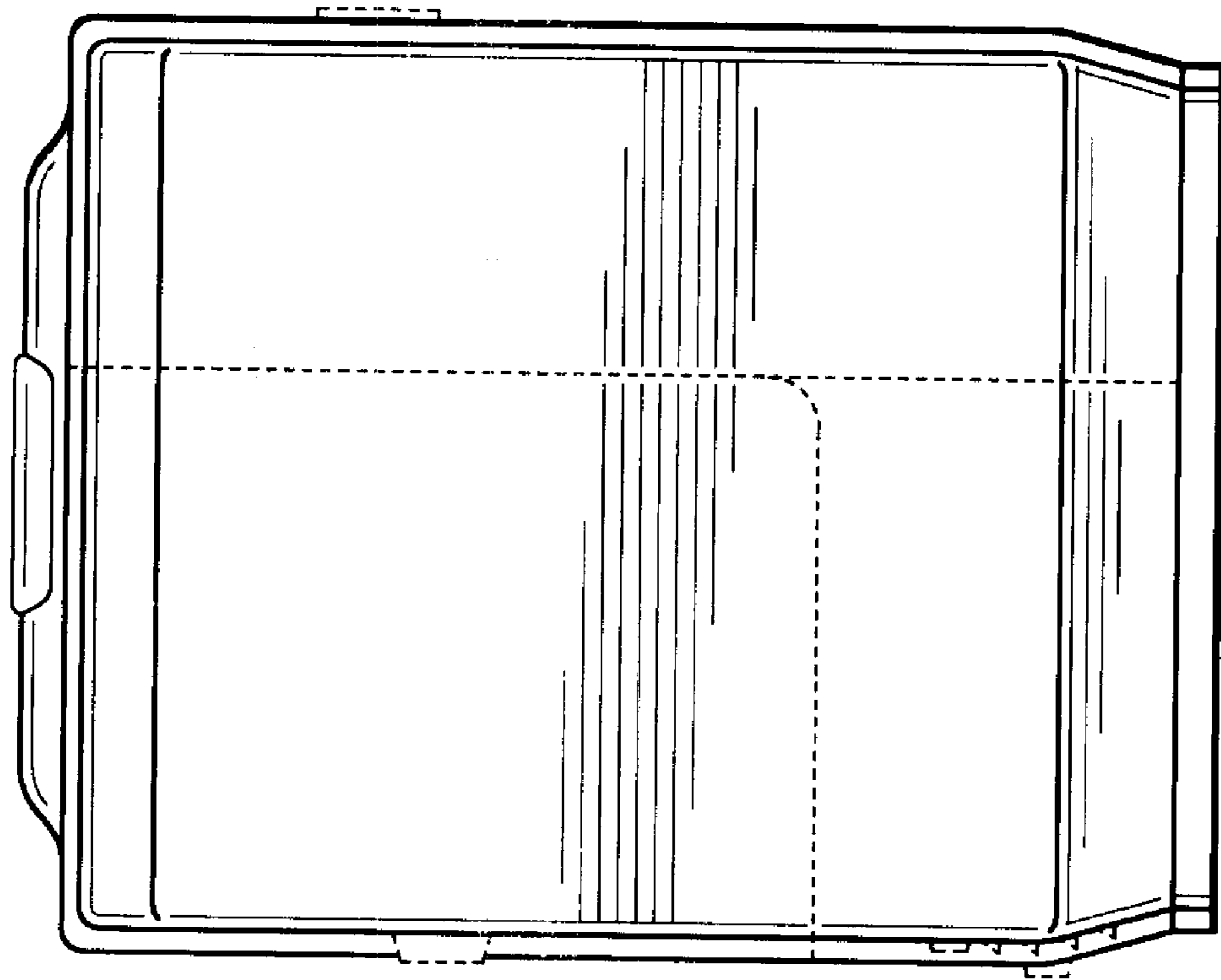


FIG. 6

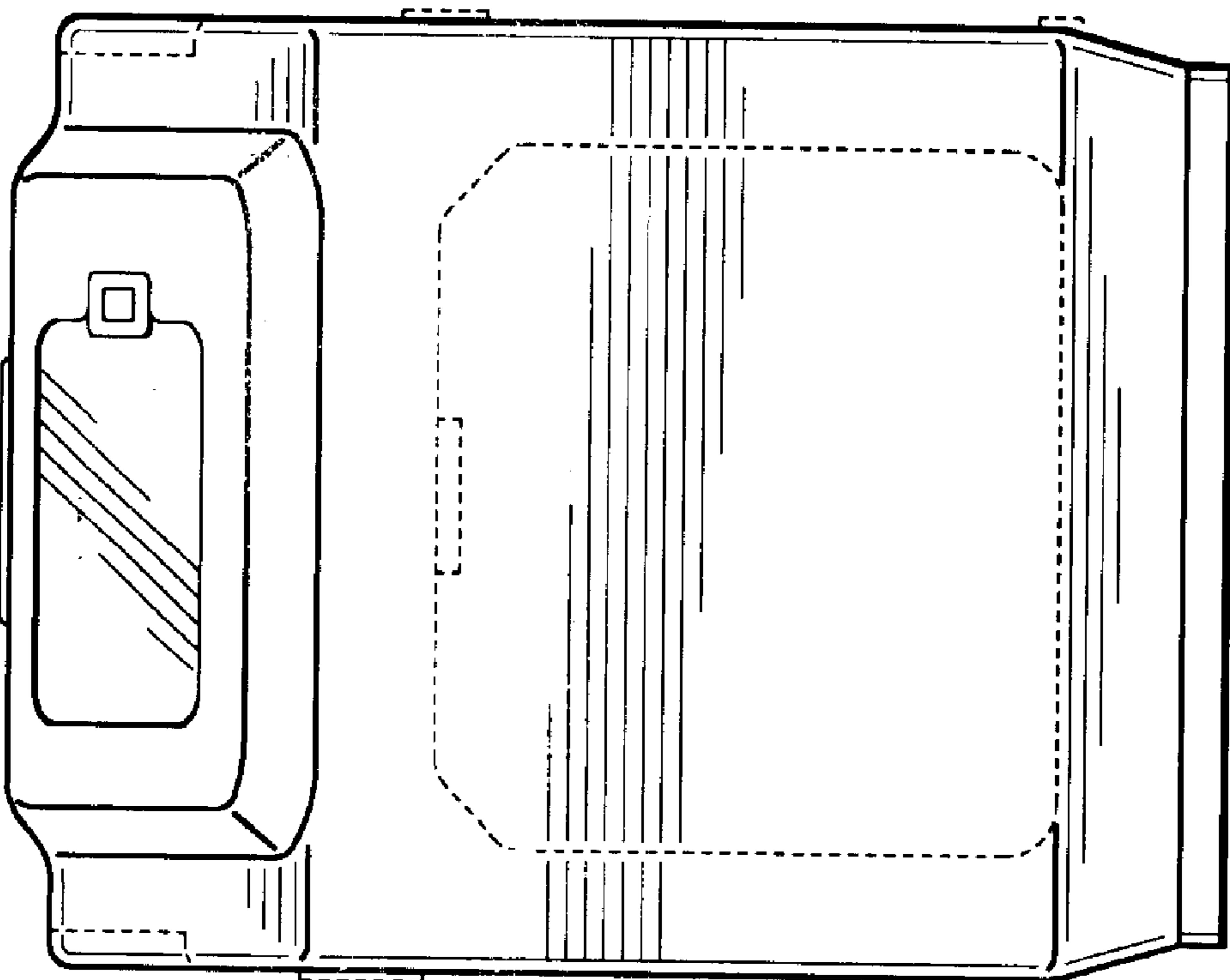


FIG. 7