



US00D530652S

(12) **United States Design Patent**
Tambornino

(10) **Patent No.:** **US D530,652 S**

(45) **Date of Patent:** **** Oct. 24, 2006**

(54) **SLOPED FACED HITCH**

(75) Inventor: **Curt Tambornino**, Fall Creek, WI (US)

(73) Assignee: **Curt Manufacturing, Inc.**, Eau Claire, WI (US)

(**) Term: **14 Years**

(21) Appl. No.: **29/231,102**

(22) Filed: **Jun. 1, 2005**

Related U.S. Application Data

(62) Division of application No. 11/126,722, filed on May 11, 2005.

(51) **LOC (8) Cl.** **12-16**

(52) **U.S. Cl.** **D12/162**

(58) **Field of Classification Search** D12/162,
D12/400; 280/468-470, 292, 483-486, 490,
280/455.1, 415.1-417.1, 511-514, 504-507;
D8/381; 224/532-535, 521, 924

See application file for complete search history.

(56) **References Cited**

U.S. PATENT DOCUMENTS

5,503,422	A	4/1996	Austin	
5,549,316	A	8/1996	Jones	
5,735,539	A	4/1998	Kravitz	
5,884,931	A	3/1999	McCoy	
6,203,048	B1	3/2001	Adair	
6,234,510	B1 *	5/2001	Hammons	280/477
6,481,258	B1	11/2002	Belinky	
D466,844	S *	12/2002	Billings	D12/162
D469,723	S *	2/2003	McCoy et al.	D12/162
6,536,794	B1	3/2003	Hancock et al.	
6,581,953	B1 *	6/2003	Jerry	280/483
6,709,002	B1	3/2004	Tambornino	

6,746,038 B1 6/2004 McCoy et al.
2002/0140205 A1 10/2002 Adams

* cited by examiner

Primary Examiner—Stacia Cadmus

(74) *Attorney, Agent, or Firm*—Schewchuk IP Services, LLC; Jeffrey D. Shewchuk

(57) **CLAIM**

The ornamental design for a sloped faced hitch, as shown and described.

DESCRIPTION

FIG. 1 is a perspective view of a sloped faced hitch in accordance with the present invention.

FIG. 2 is a perspective view from below showing the sloped faced hitch of FIG. 1.

FIG. 3 is top plan view of the sloped faced hitch of FIGS. 1-2.

FIG. 4 is a side elevational view of the sloped faced hitch of FIGS. 1-3. The opposite side elevational view is a mirror image of FIG. 4.

FIG. 5 is a bottom plan view of the sloped faced hitch of FIGS. 1-4.

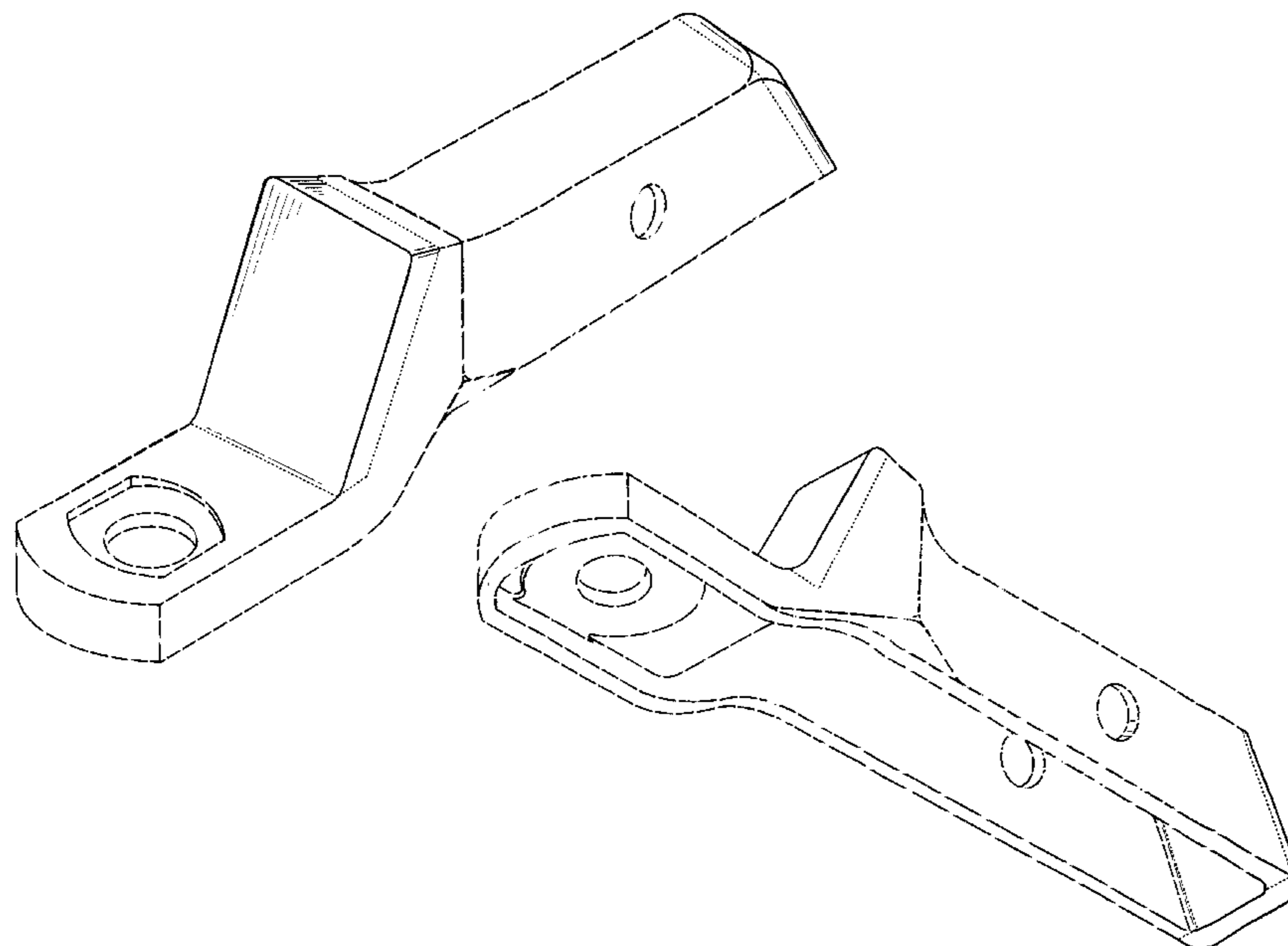
FIG. 6 is a rear view of the sloped faced hitch of FIGS. 1-5.

FIG. 7 is a front view of the sloped face hitch of FIG. 1-6; and,

FIG. 8 is a cross-sectional view taken along lines 8-8 in FIGS. 3 and 5.

The characteristic feature of the ornamental design resides in the matching opposite slope between the leading edge of the hitch tube engagement portion and the trailing edge of the bridge portion. The broken line showing of environment is for illustrative purposes only and forms no part of the claimed design. The dotted lines depict the boundary of the claimed design.

1 Claim, 3 Drawing Sheets



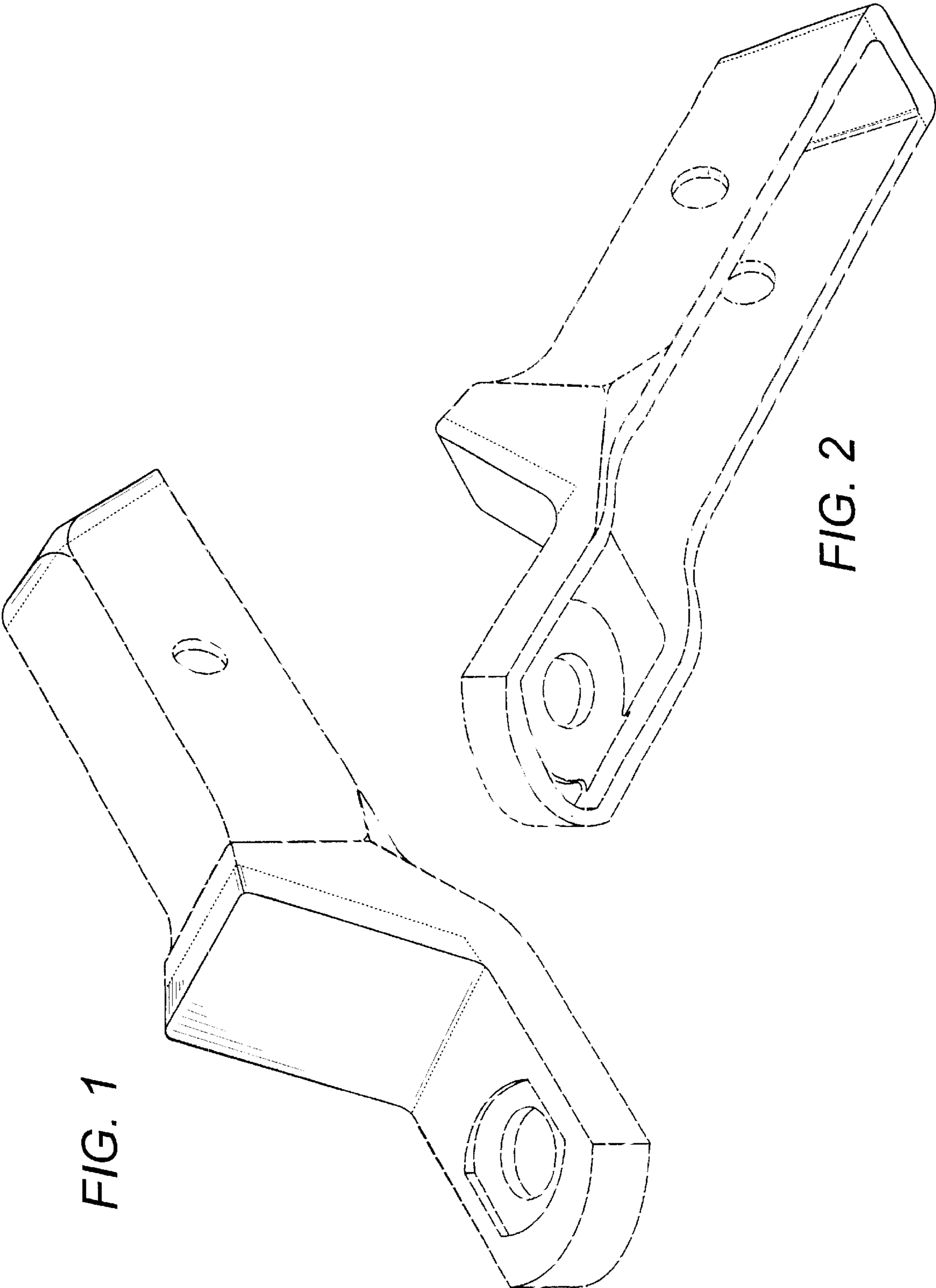


FIG. 1

FIG. 2

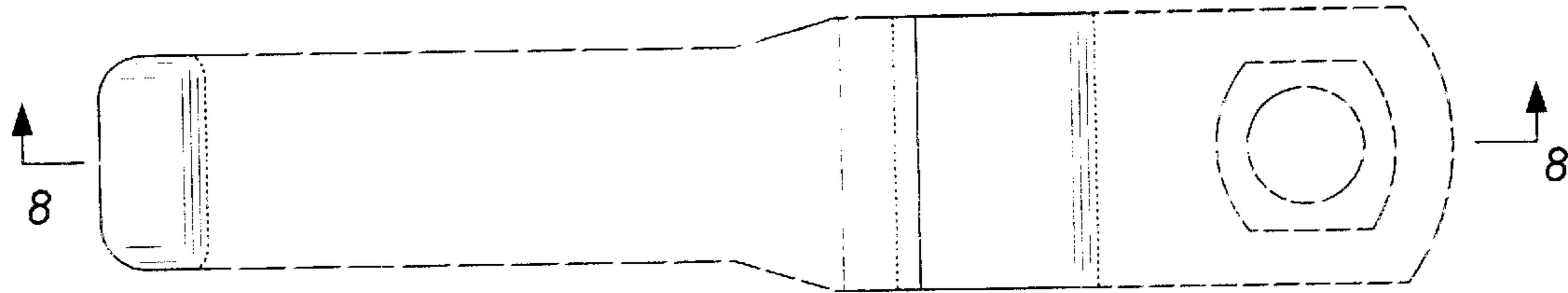


FIG. 3

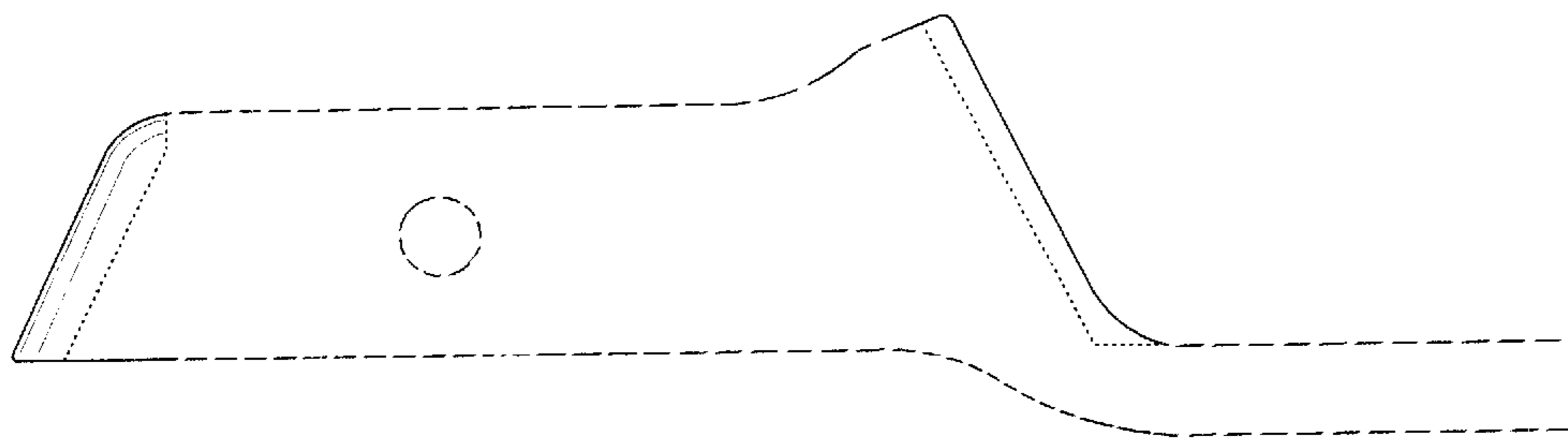


FIG. 4

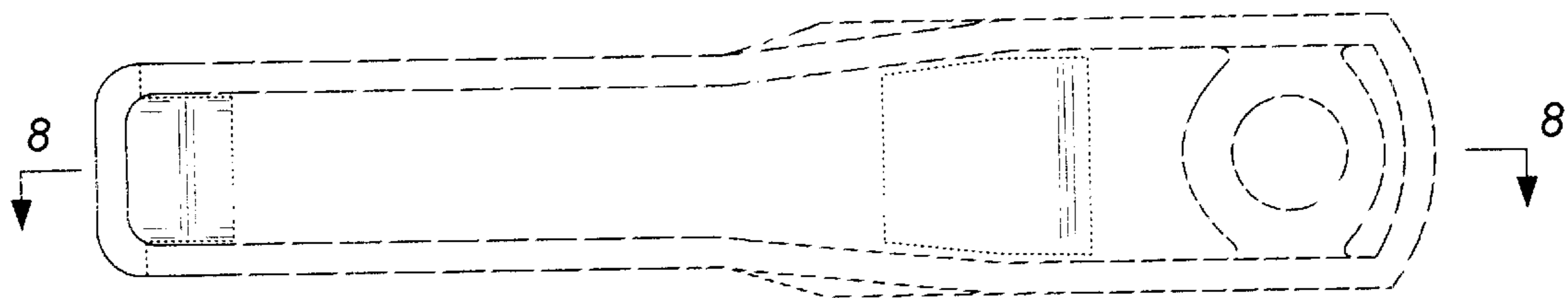


FIG. 5

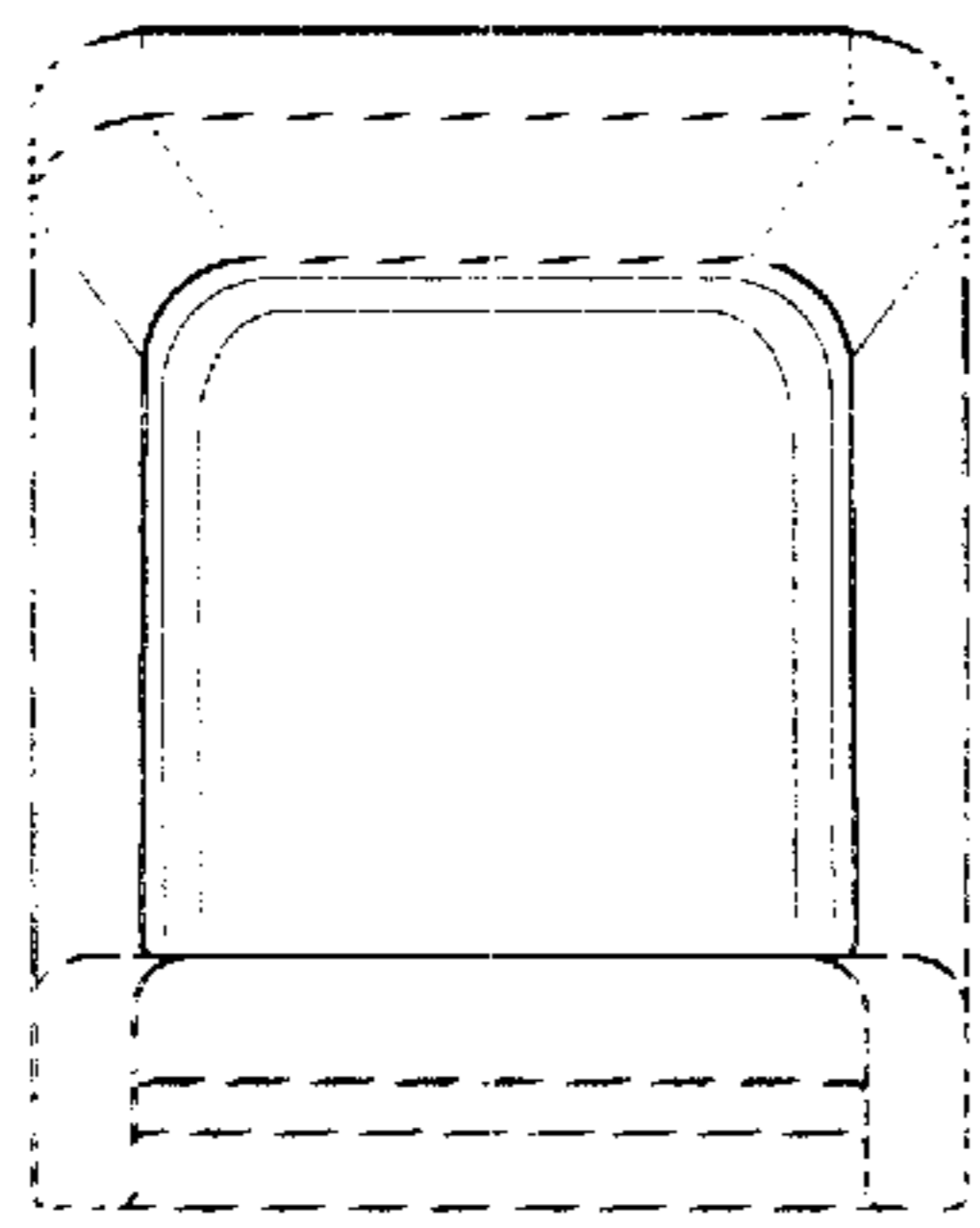


FIG. 6

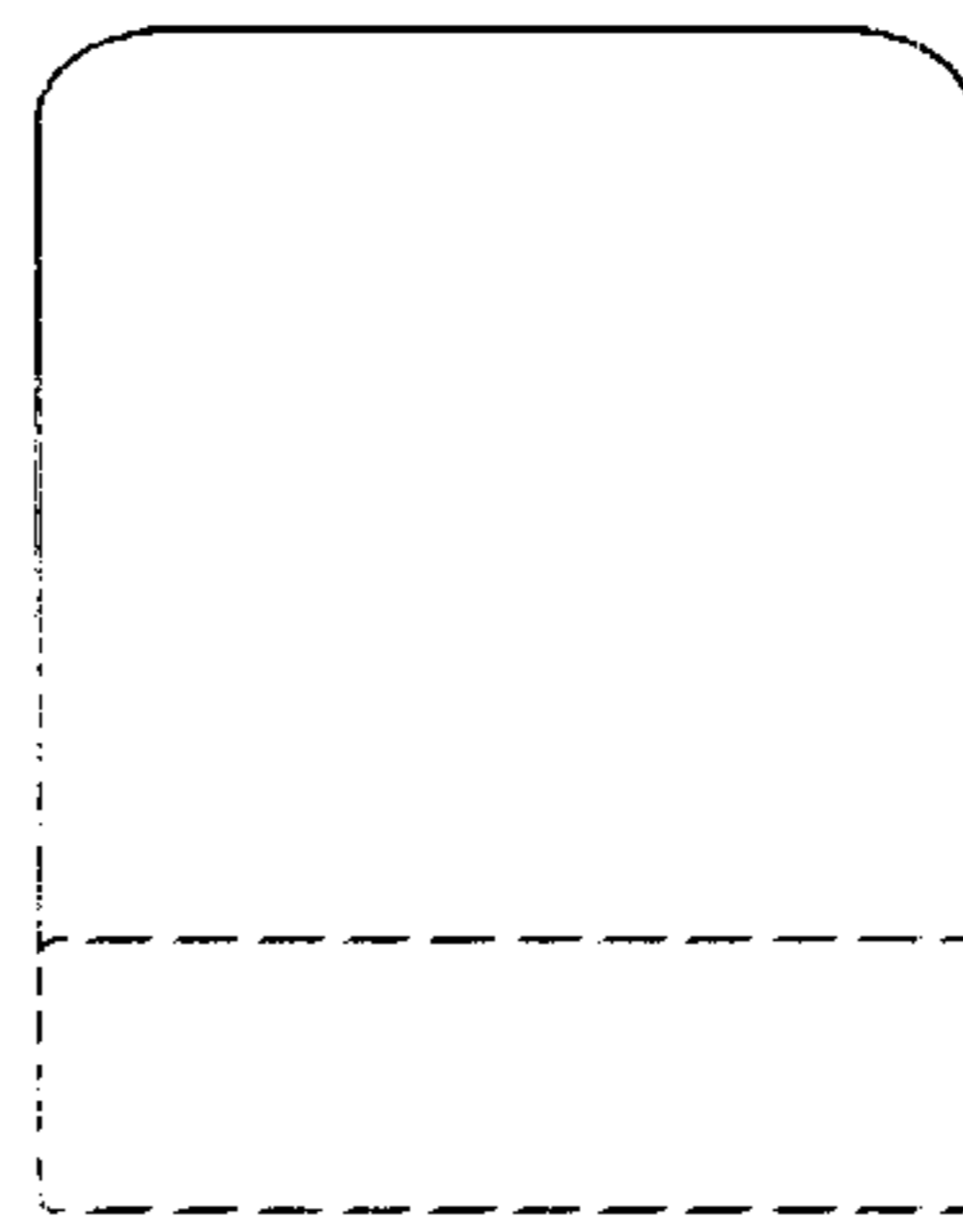


FIG. 7

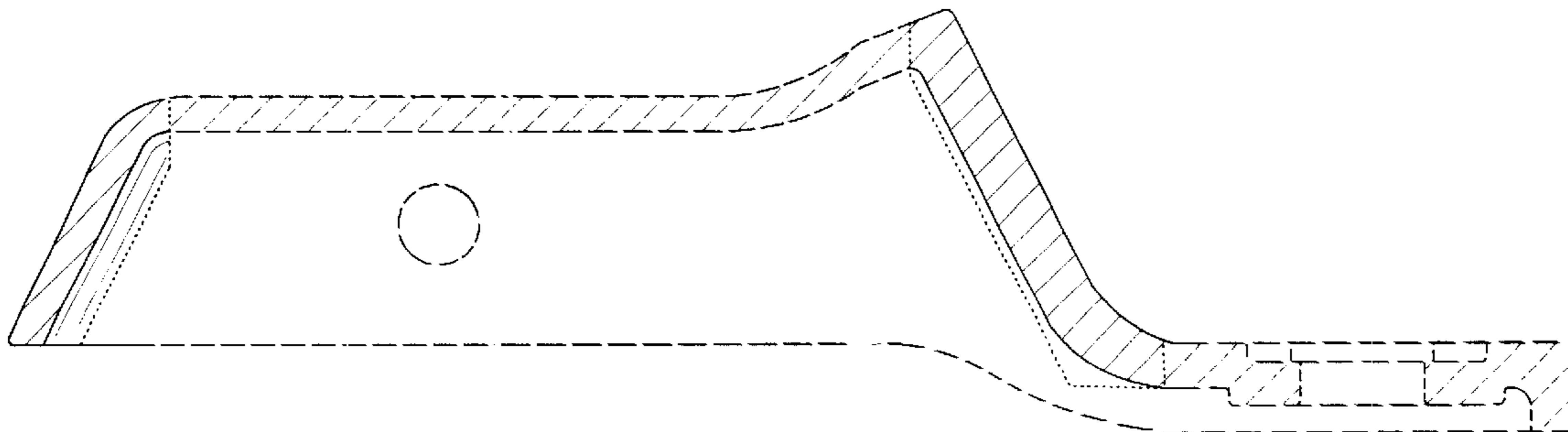


FIG. 8