



US00D530651S

(12) **United States Design Patent**  
**Shaffer**

(10) **Patent No.:** **US D530,651 S**

(45) **Date of Patent:** **\*\* Oct. 24, 2006**

(54) **FOOT LIFTER HAVING A FLEXIBLE BAND**

6,880,845 B1 \* 4/2005 Broyles et al. .... 280/250.1

(76) Inventor: **Charles M. Shaffer**, 1205 Healthshire Dr., Centerville, OH (US) 45459

\* cited by examiner

*Primary Examiner*—Marcus A. Jackson

(\*\*) Term: **14 Years**

(74) *Attorney, Agent, or Firm*—Jacox, Meckstroth & Jenkins

(21) Appl. No.: **29/231,941**

(57) **CLAIM**

(22) Filed: **Jun. 13, 2005**

The ornamental design of a foot lifter having a flexible band, as shown and described.

(51) **LOC (8) Cl.** ..... **12-12**

(52) **U.S. Cl.** ..... **D12/133**

(58) **Field of Classification Search** ..... D12/128-133;  
280/250.1, 647; 297/DIG. 4, 423.1, 423.17,  
297/466

**DESCRIPTION**

See application file for complete search history.

FIG. 1 is a perspective view of a foot lifter having a flexible band showing my new design;

FIG. 2 is a front view thereof, the rear view being a mirror image;

FIG. 3 is a side view thereof, the opposite side view being a mirror image;

FIG. 4 is a top view thereof; and,

FIG. 5 is a bottom view thereof.

(56) **References Cited**

**U.S. PATENT DOCUMENTS**

D315,539 S \* 3/1991 Okamoto ..... D12/133

D395,263 S \* 6/1998 Ponce ..... D12/133

**1 Claim, 1 Drawing Sheet**

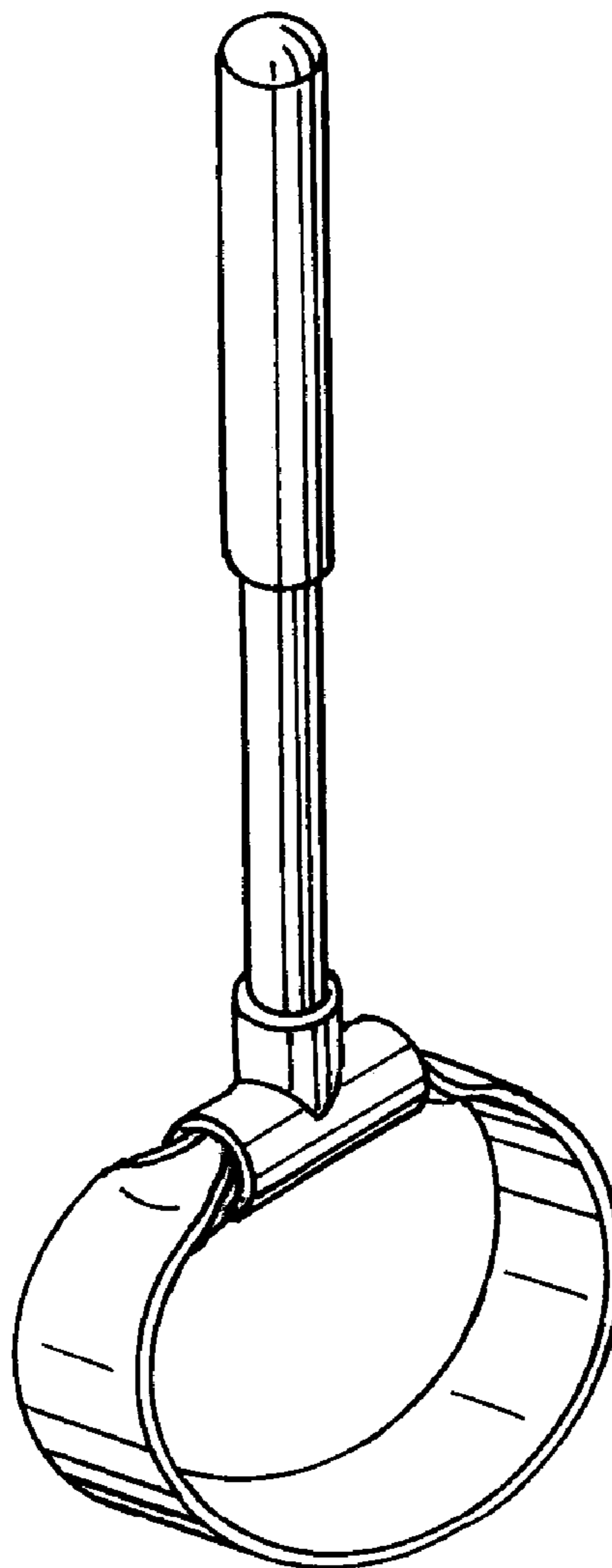


FIG-1

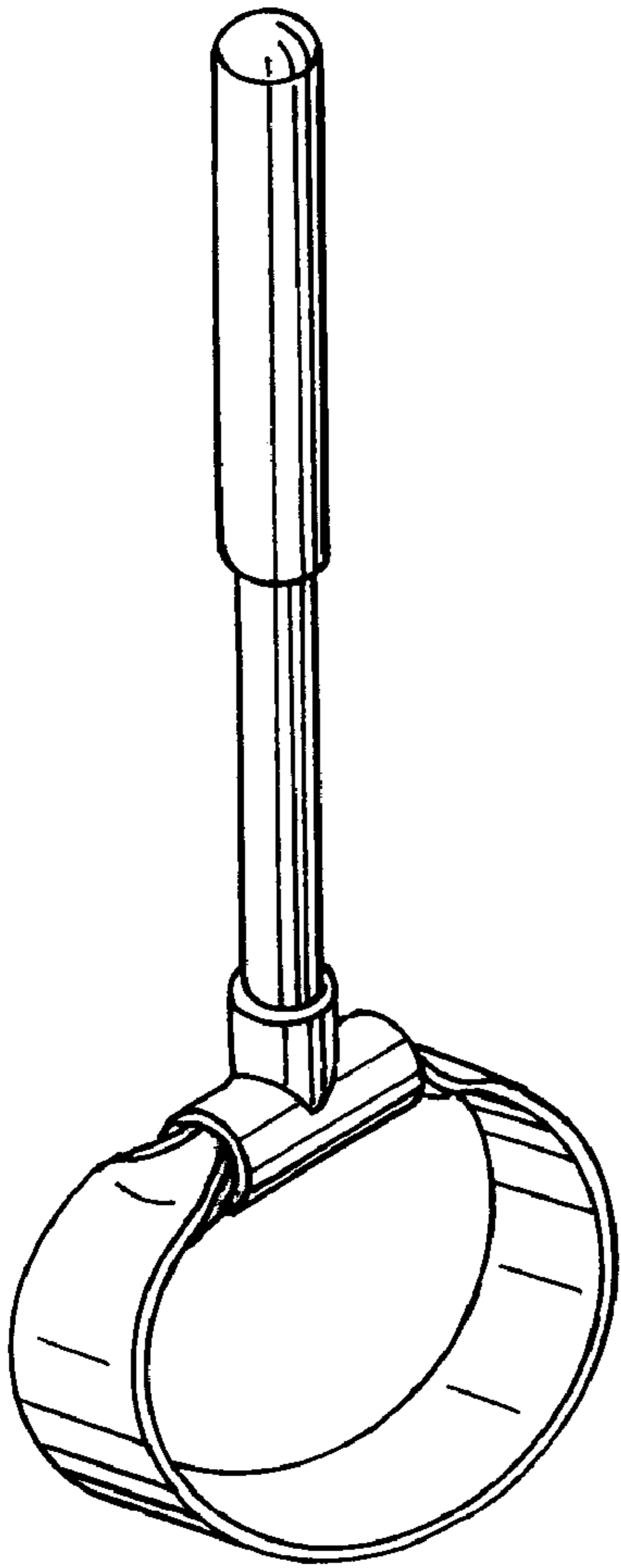


FIG-3



FIG-2

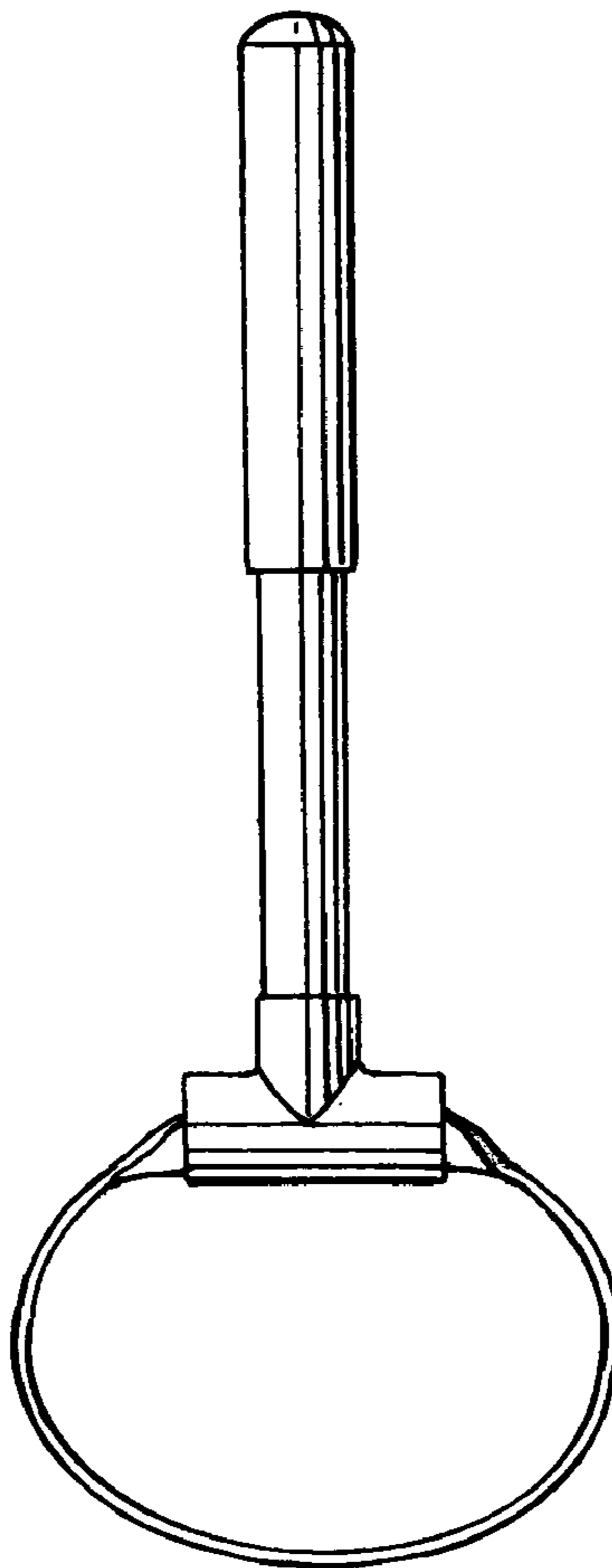


FIG-4

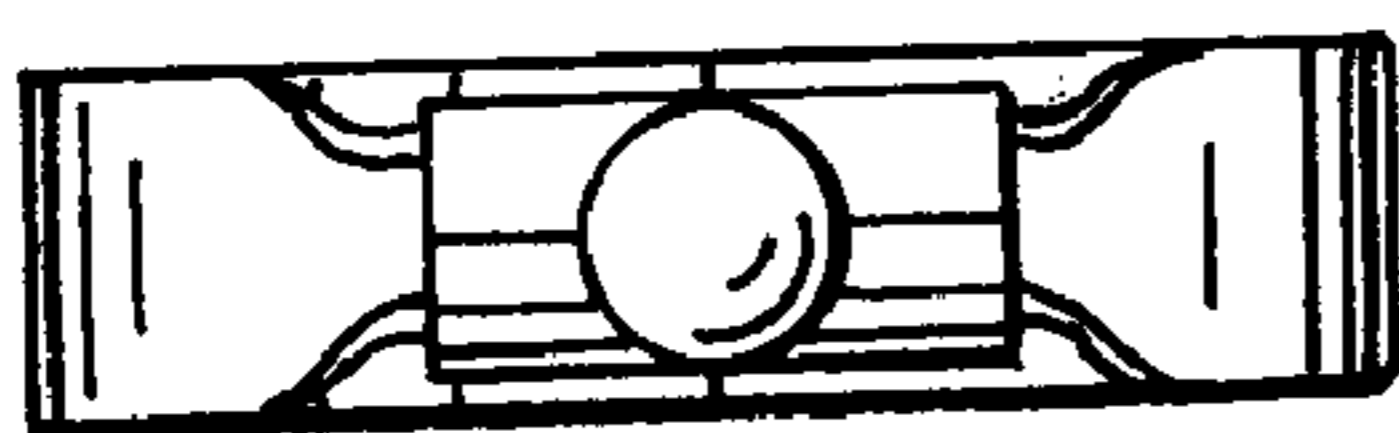


FIG-5

