



US00D530647S

(12) **United States Design Patent**  
**McRoy**

(10) **Patent No.:** **US D530,647 S**

(45) **Date of Patent:** **\*\* Oct. 24, 2006**

(54) **HOCKEY STICK FLAG DISPLAY**  
(76) Inventor: **Michael E. McRoy**, 4309 Willow Lake Rd., Raleigh, NC (US) 27616

5,291,849 A \* 3/1994 Zeitler ..... 116/174  
D390,102 S \* 2/1998 Drew ..... D21/727  
D421,079 S \* 2/2000 Ryu ..... D21/727  
D499,666 S \* 12/2004 Ciaccia ..... D11/181

(\*\*) Term: **14 Years**

\* cited by examiner

(21) Appl. No.: **29/197,931**

*Primary Examiner*—Louis S. Zarfaz  
*Assistant Examiner*—Anhdao Doan

(22) Filed: **Jan. 21, 2004**

(57) **CLAIM**

(51) **LOC (8) Cl.** ..... **11-05**

The ornamental design for a hockey stick flag display, as shown and described.

(52) **U.S. Cl.** ..... **D11/181**

(58) **Field of Classification Search** ..... D11/165–168,  
D11/172, 181–183; 116/173–175; D21/573,  
D21/727

**DESCRIPTION**

See application file for complete search history.

FIG. 1 is a left perspective view of a hockey stick flag display showing my design;  
FIG. 2 is an enlarged rear view thereof;  
FIG. 3 is an enlarged front view thereof;  
FIG. 4 is a left side view thereof, the right view being a mirror image;  
FIG. 5 is an enlarged handle area view thereof;  
FIG. 6 is a top view thereof; and,  
FIG. 7 is a bottom view thereof.

(56) **References Cited**

**U.S. PATENT DOCUMENTS**

D20,234 S \* 10/1890 Kevan ..... D11/166  
D224,119 S \* 7/1972 Scire ..... D11/157  
D252,078 S \* 6/1979 Filliben ..... D11/172  
D264,863 S \* 6/1982 Walmsley ..... D21/727  
D265,075 S \* 6/1982 Ornatek ..... D11/166

**1 Claim, 4 Drawing Sheets**

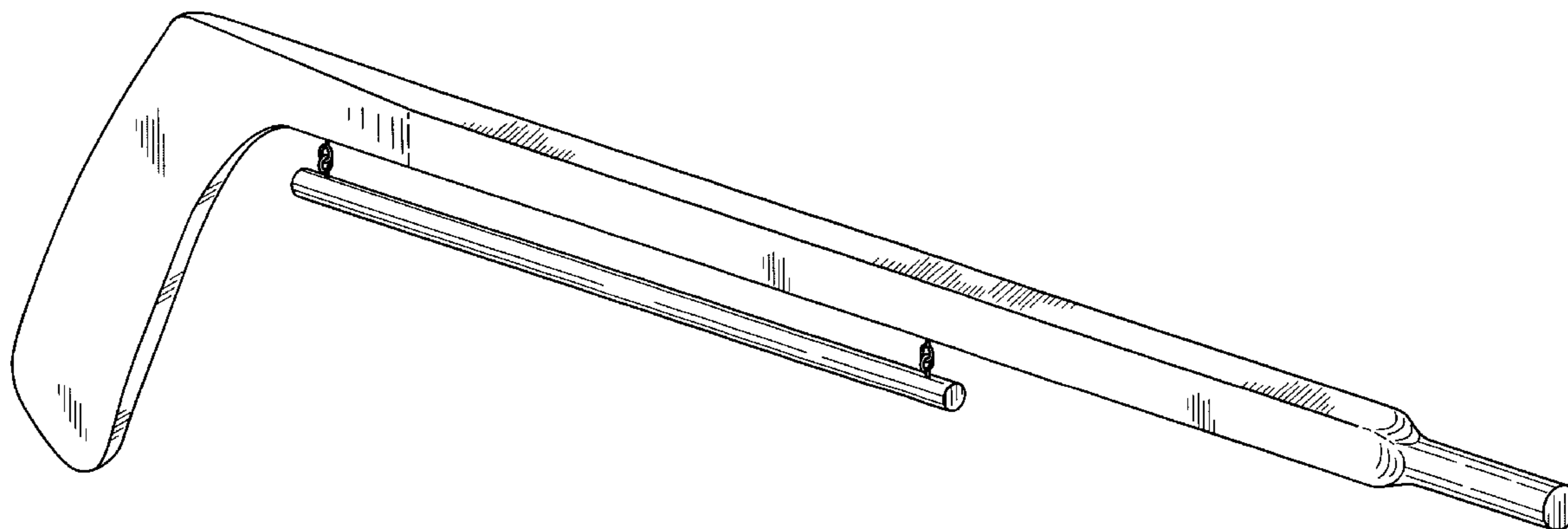
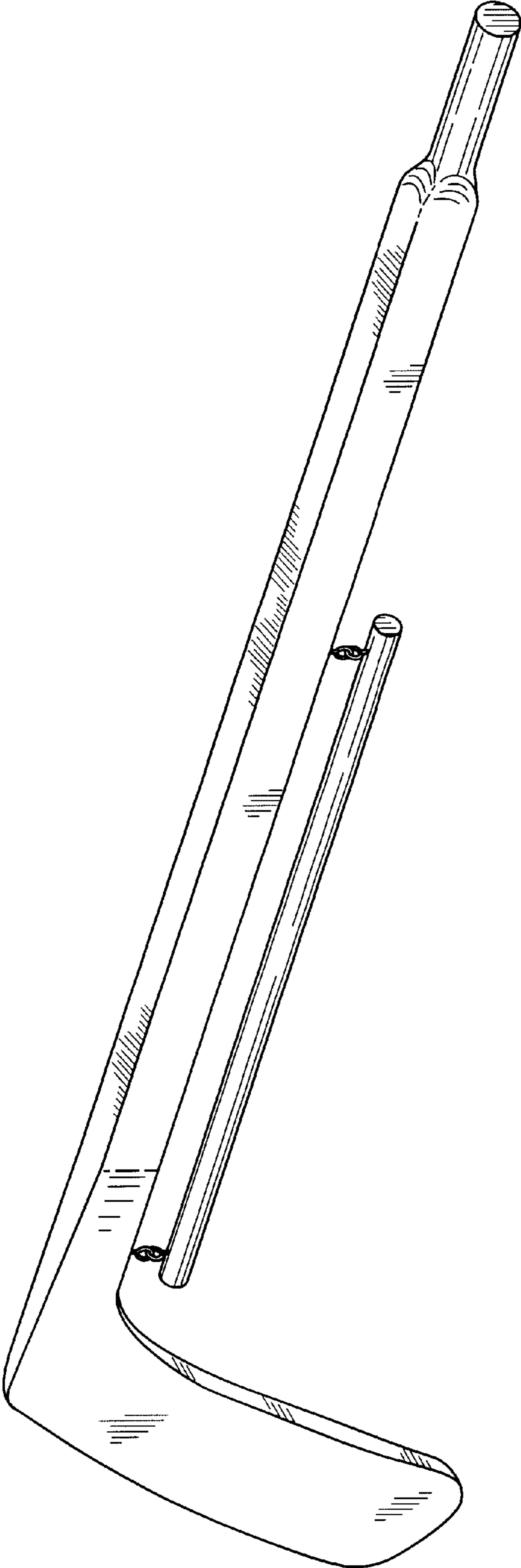
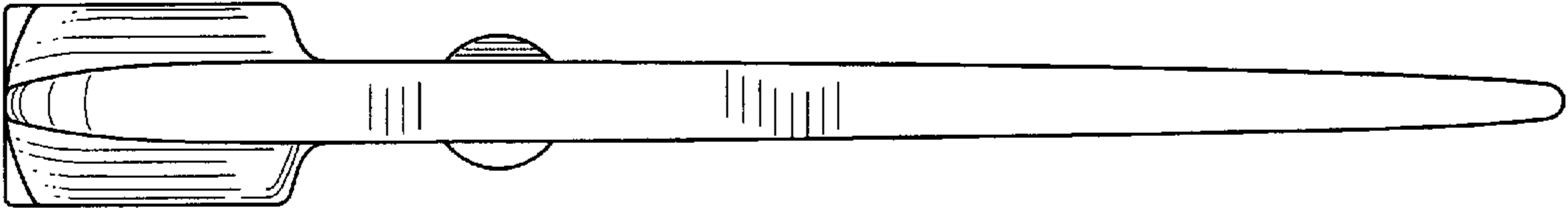


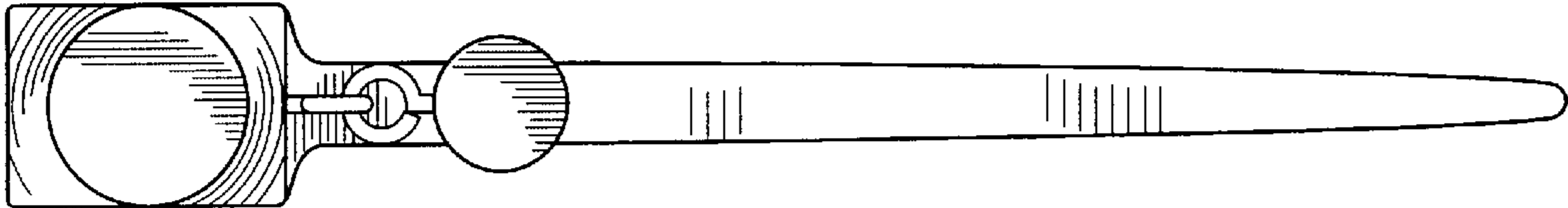
FIG. 1



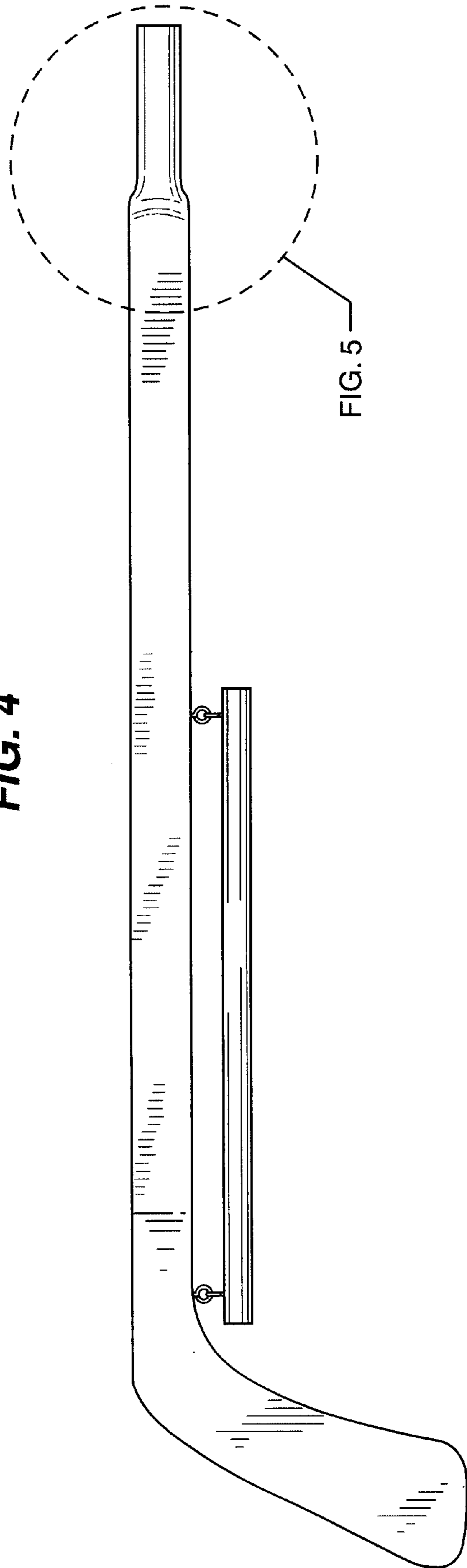
**FIG. 3**



**FIG. 2**

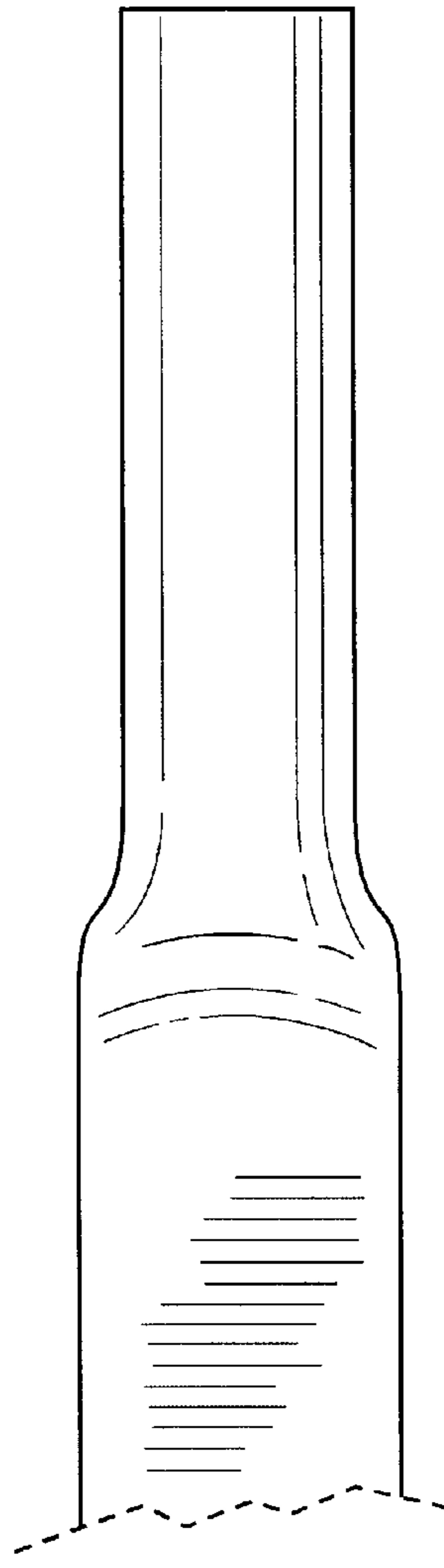


**FIG. 4**

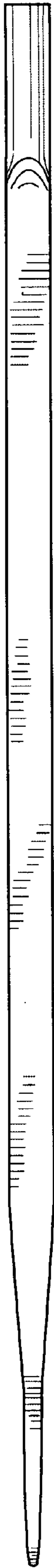


**FIG. 5**

**FIG. 5**



**FIG. 6**



**FIG. 7**

