



US00D530639S

(12) **United States Design Patent**
Conigliaro

(10) **Patent No.:** **US D530,639 S**

(45) **Date of Patent:** **** Oct. 24, 2006**

(54) **MATTRESS DEPRESSION TEST APPARATUS**

6,786,083 B1 * 9/2004 Bain et al. 73/78

(76) Inventor: **Charles Conigliaro**, 2126 NW.
Plumbago Triangle, Stuart, FL (US)
34994

* cited by examiner

Primary Examiner—Antoine D. Davis

(74) *Attorney, Agent, or Firm*—Kevin Redmond

(**) Term: **14 Years**

(57) **CLAIM**

(21) Appl. No.: **29/225,127**

The ornamental design for a mattress depression test apparatus, as shown and described.

(22) Filed: **Mar. 14, 2005**

DESCRIPTION

(51) **LOC (8) Cl.** **10-04**

(52) **U.S. Cl.** **D10/83; D10/83**

(58) **Field of Classification Search** D10/86;
73/78, 81–85, 161, 172, 790–791, 805.4,
73/806, 818–819, 865.9

FIG. 1 is a side elevation view of the invention positioned to measure mattress depression.

FIG. 2 is a top view of the invention in the position of FIG. 1; and,

FIG. 3 is a rear elevation view of the invention.

See application file for complete search history.

The second side view has not been shown because it is essentially a mirror image of the first side view.

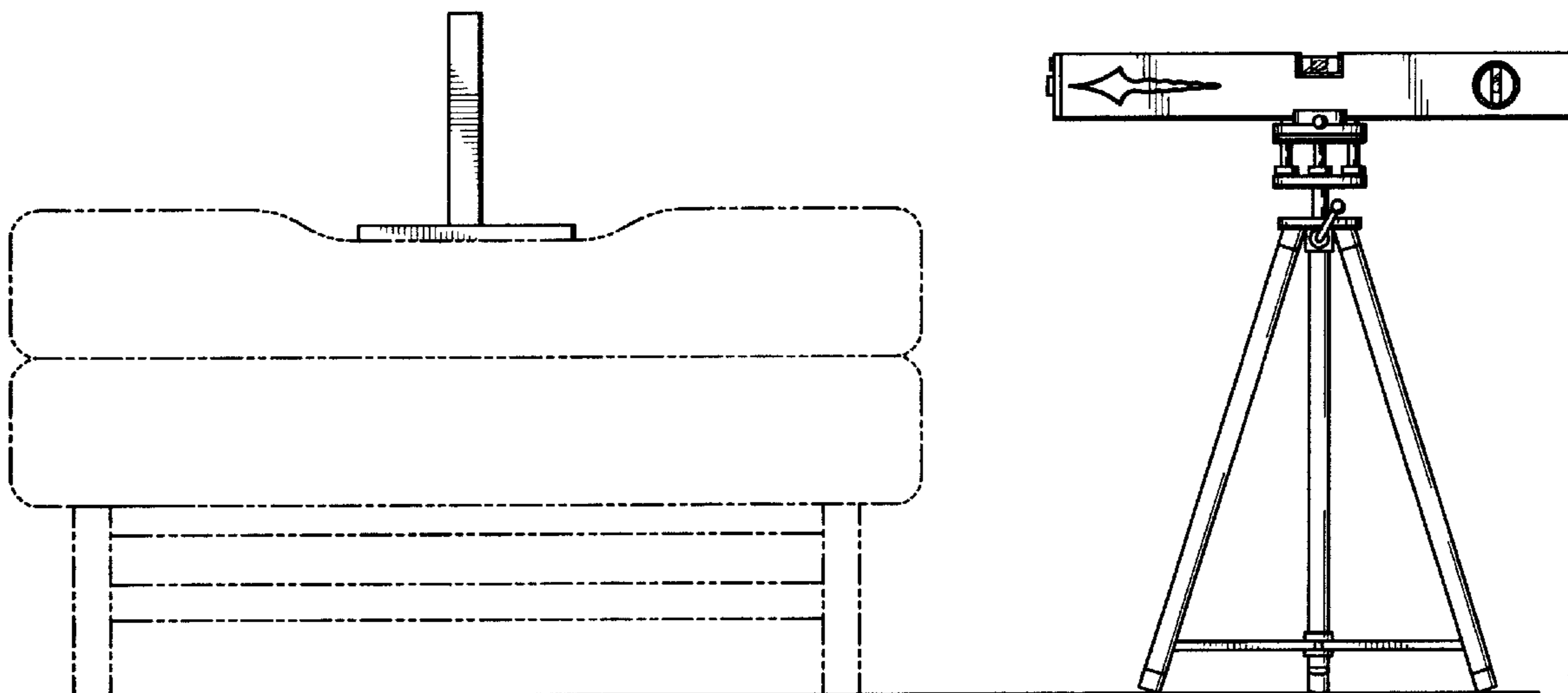
The front view has not been shown as it would not reveal anything that the existing views have not already shown.

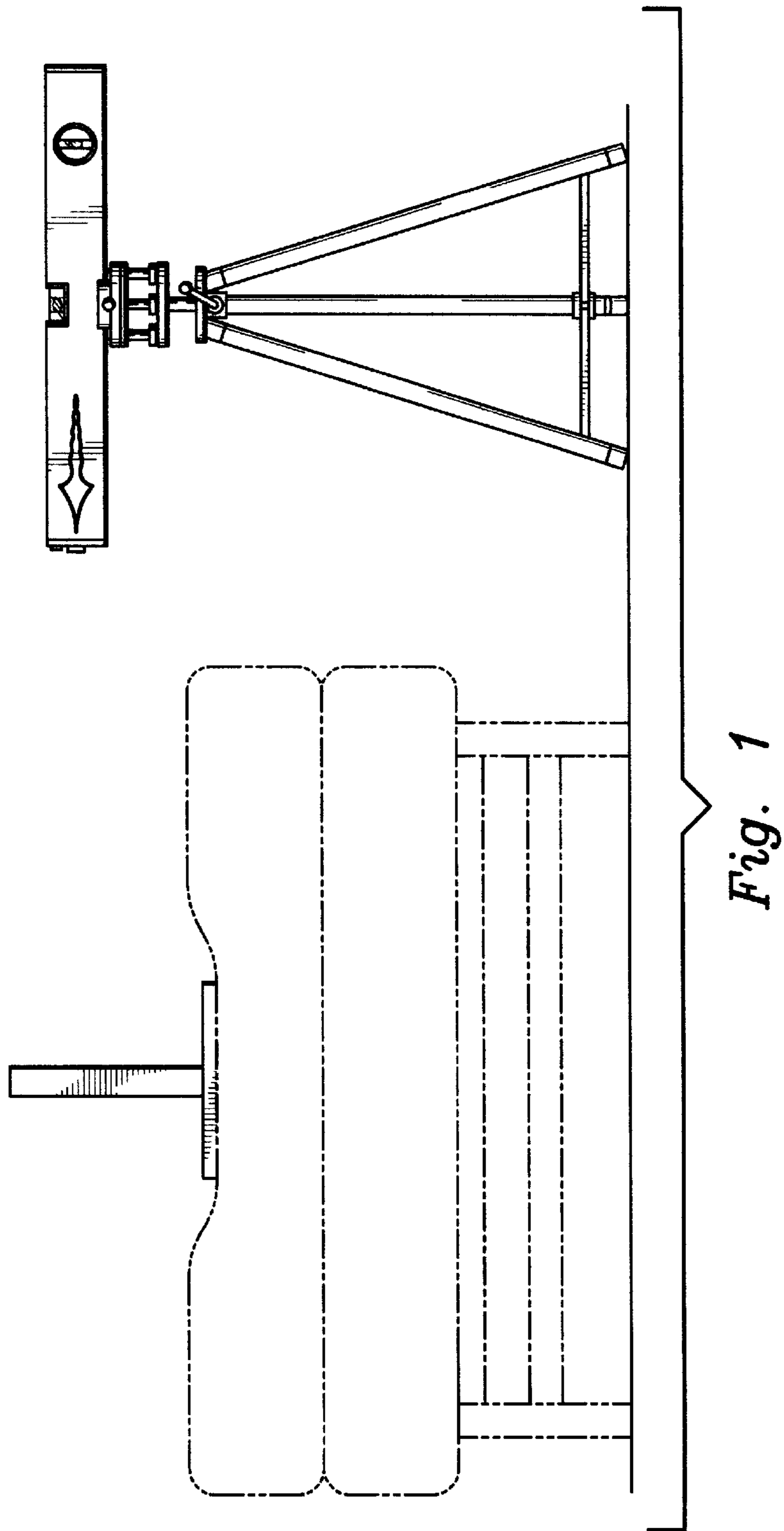
(56) **References Cited**

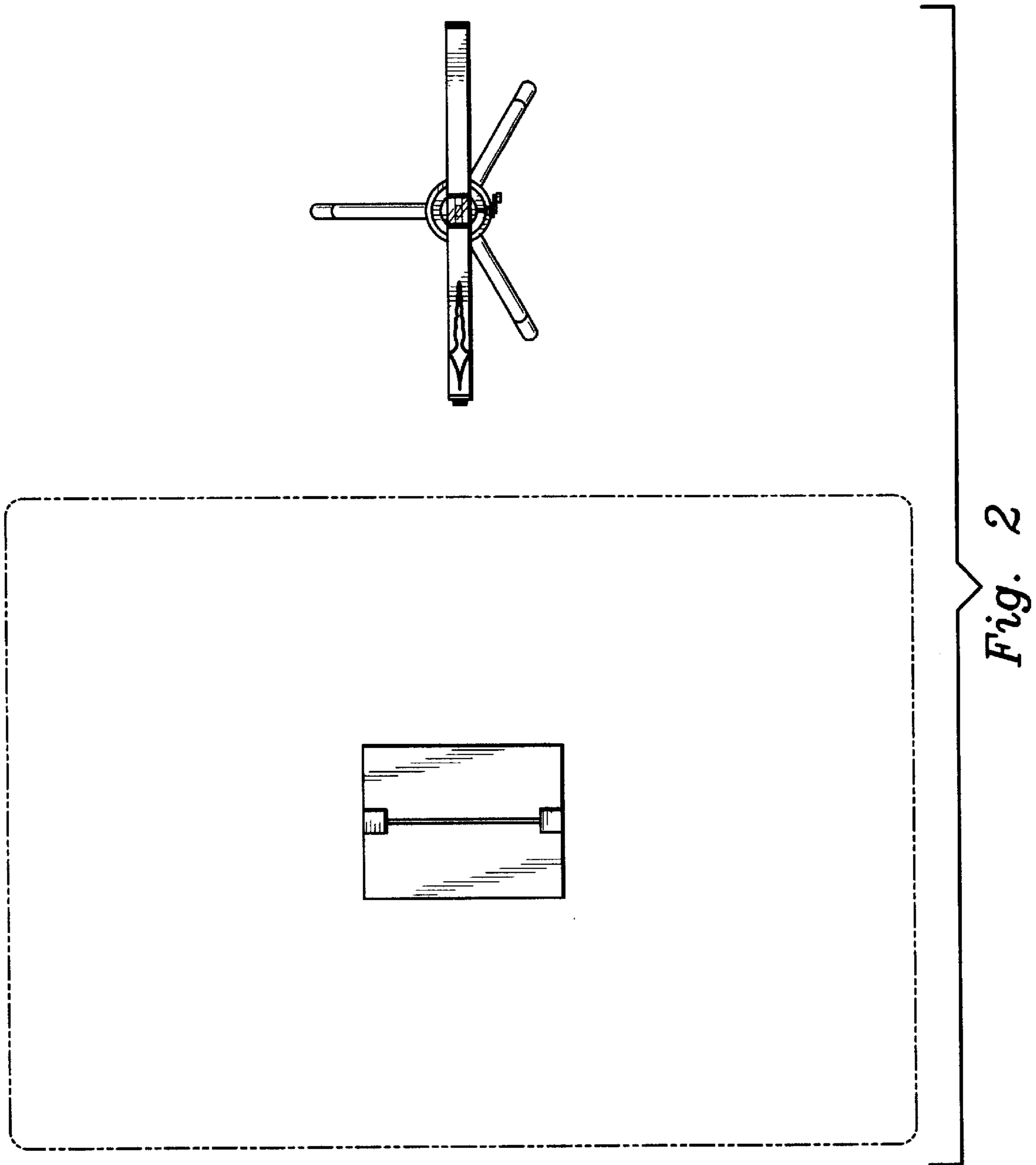
U.S. PATENT DOCUMENTS

- 3,195,347 A * 7/1965 Janapol 73/806
- 3,334,517 A * 8/1967 Janapol 73/806

1 Claim, 3 Drawing Sheets







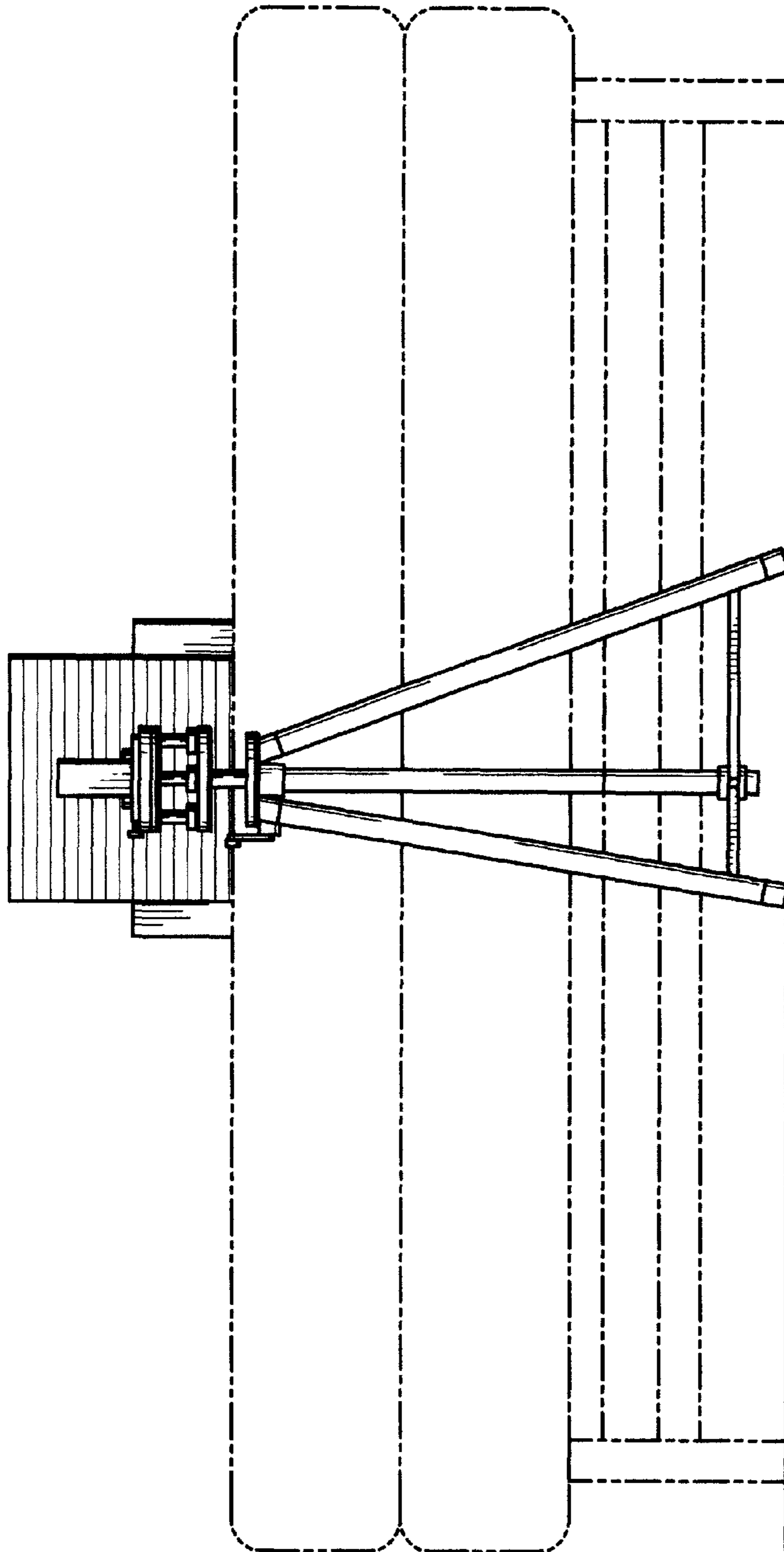


Fig. 3