



US00D530638S

(12) **United States Design Patent**
Shimizu et al.

(10) **Patent No.:** **US D530,638 S**

(45) **Date of Patent:** **** Oct. 24, 2006**

(54) **SENSOR CHIP FOR BIOCHEMICAL ANALYZER**

(75) Inventors: **Hitoshi Shimizu**, Ashigarakami-gun (JP); **Katsuaki Muraishi**, Ashigarakami-gun (JP); **Tatsuo Fujikura**, Ashigarakami-gun (JP); **Hirohiko Tsuzuki**, Ashigarakami-gun (JP); **Kouji Kuruma**, Ashigarakami-gun (JP); **Masayasu Konishi**, Odawara (JP); **Yoshiyuki Kunuki**, Ashigarakami-gun (JP)

(73) Assignee: **Fuji Photo Film Co., Ltd.**, Kanagawa (JP)

(**) Term: **14 Years**

(21) Appl. No.: **29/237,426**

(22) Filed: **Sep. 1, 2005**

(30) **Foreign Application Priority Data**

Mar. 1, 2005 (JP) 2005-0005940

(51) **LOC (8) Cl.** **10-04**

(52) **U.S. Cl.** **D10/81**

(58) **Field of Classification Search** D10/81;
204/403.01, 412; 205/775; 422/56, 101; 435/278.2;
436/73, 80, 164, 169, 172, 178; 600/365
See application file for complete search history.

(56) **References Cited**

U.S. PATENT DOCUMENTS

D379,662 S * 6/1997 Pearson et al. D10/81

D379,663 S * 6/1997 Pearson et al. D10/81
6,751,491 B1 * 6/2004 Lew et al. 600/345
6,787,368 B1 * 9/2004 Wong et al. 435/287.2
6,866,758 B1 * 3/2005 Bhullar et al. 204/403.02
6,998,246 B1 * 2/2006 Schaffler et al. 435/181
2003/0046811 A1 * 3/2003 Chang et al. 600/365
2004/0124098 A1 * 7/2004 Huang et al. 205/775
2006/0070878 A1 * 4/2006 Wu et al. 204/403.01

* cited by examiner

Primary Examiner—Antoine D. Davis

(74) *Attorney, Agent, or Firm*—Young & Thompson

(57) **CLAIM**

The ornamental design for a sensor chip for biochemical analyzer, as shown.

DESCRIPTION

FIG. 1 is a perspective view of a sensor chip for biochemical analyzer, showing our new design;

FIG. 2 is a front elevational view thereof;

FIG. 3 is a rear elevational view thereof;

FIG. 4 is a top plan view thereof;

FIG. 5 is a bottom plan view thereof;

FIG. 6 is an end elevational view thereof from the left of FIG. 2; and,

FIG. 7 is an end elevational view thereof from the right of FIG. 2.

1 Claim, 4 Drawing Sheets

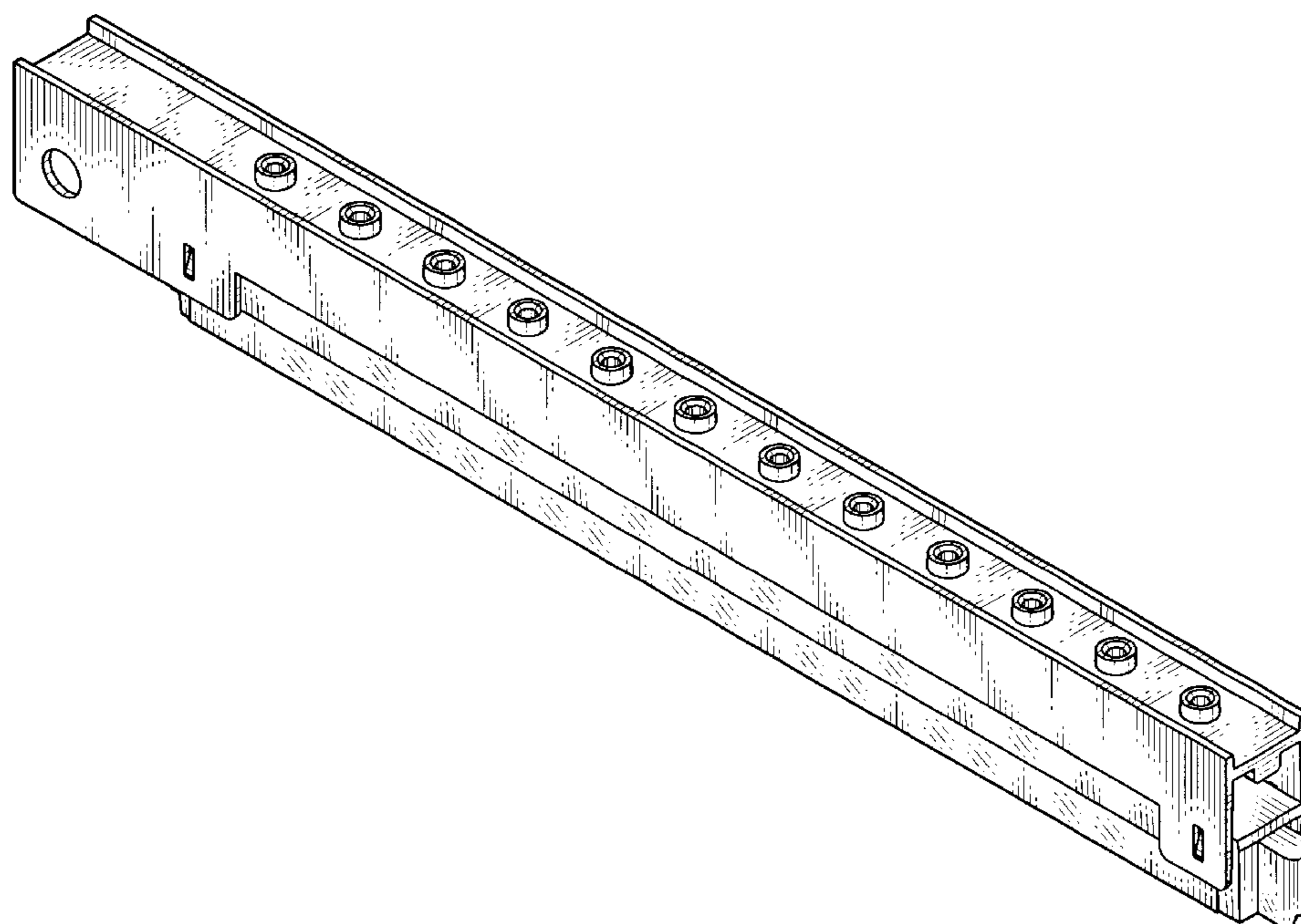


FIG.1

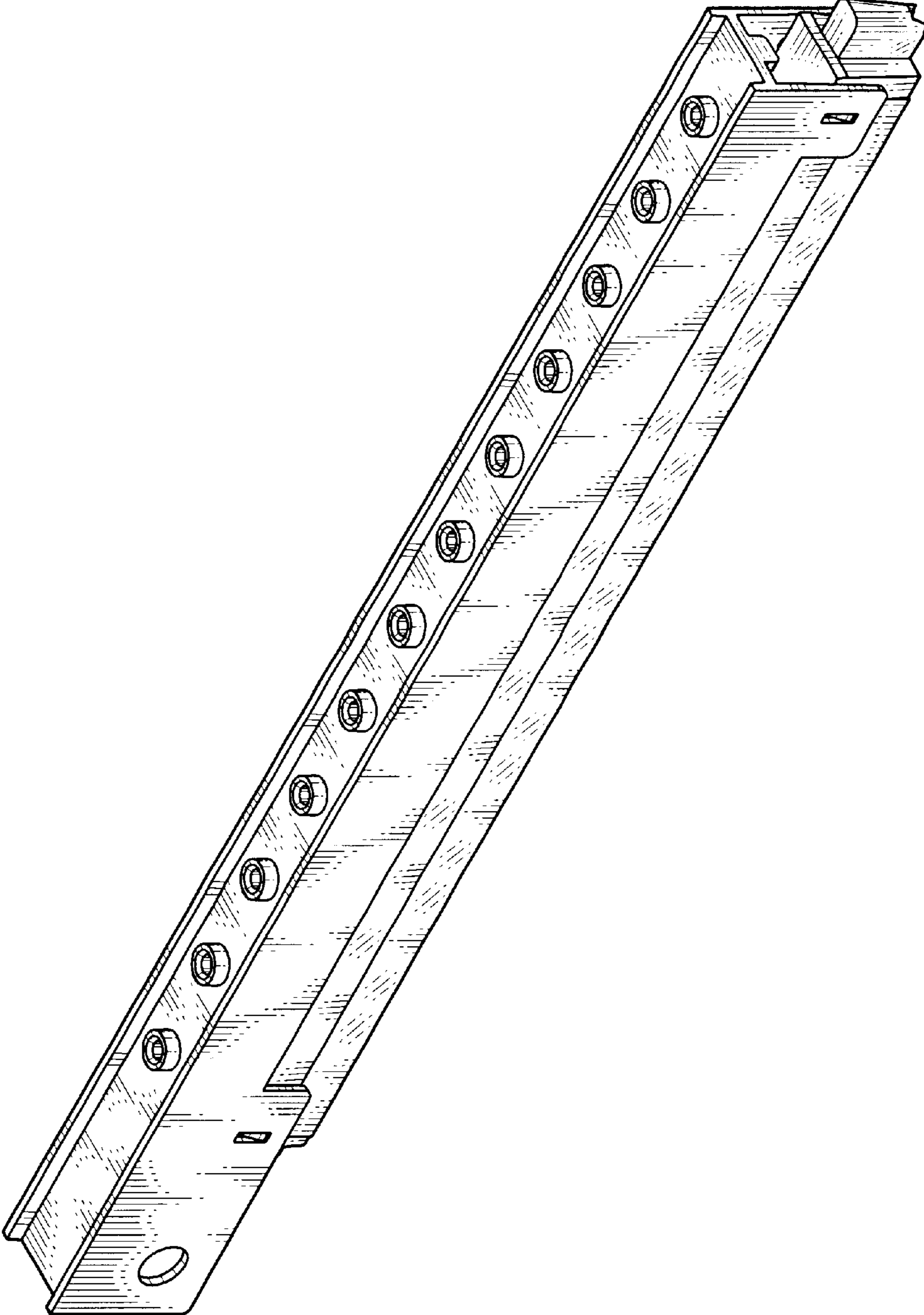


FIG. 2

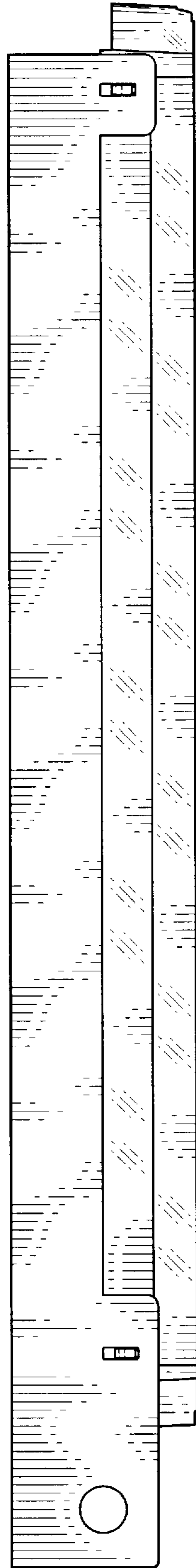


FIG. 3

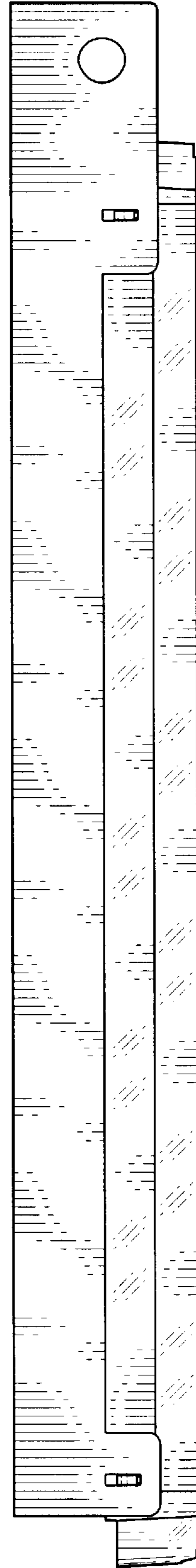


FIG.4

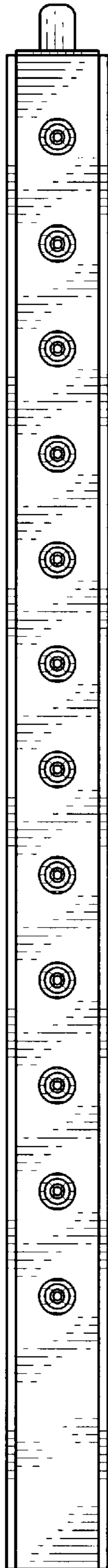


FIG.5

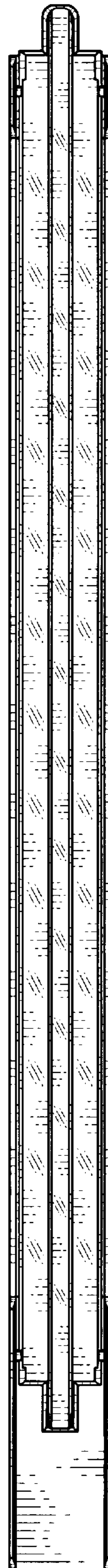


FIG.6

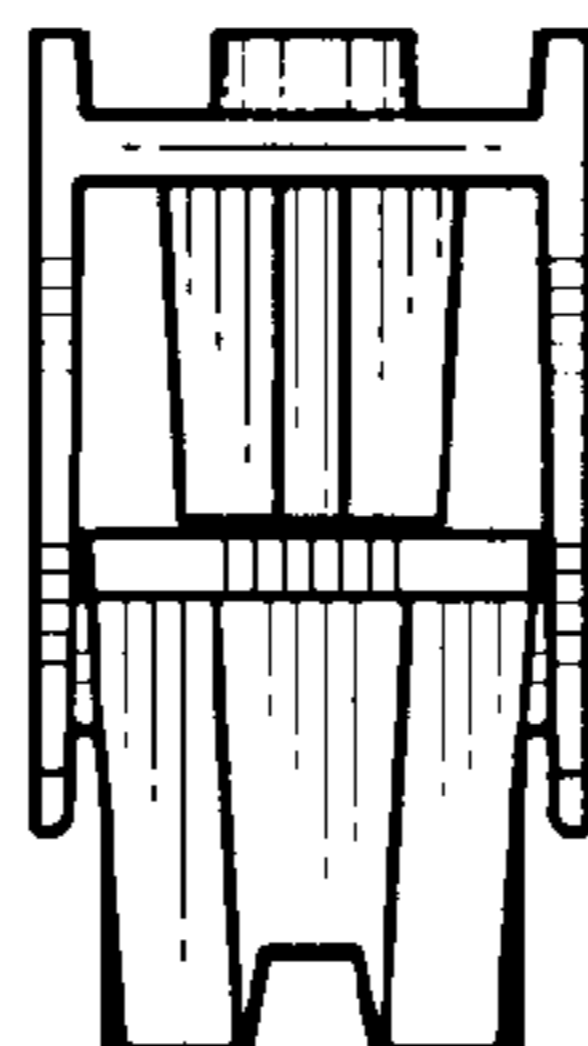


FIG.7

