



US00D530636S

(12) **United States Design Patent**
Manning

(10) **Patent No.:** **US D530,636 S**

(45) **Date of Patent:** **** Oct. 24, 2006**

(54) **ILLUMINATED RULER**

(76) Inventor: **Stephen R. Manning**, P.O. Box 1394,
Buda, TX (US) 78610

(**) Term: **14 Years**

(21) Appl. No.: **29/230,158**

(22) Filed: **May 18, 2005**

(51) **LOC (8) Cl.** **10-04**

(52) **U.S. Cl.** **D10/71**

(58) **Field of Classification Search** D10/64,
D10/71; 33/483-495, 1 L, 366, 707
See application file for complete search history.

(56) **References Cited**

U.S. PATENT DOCUMENTS

202,545	A	4/1878	Holmes	
1,474,804	A	11/1923	Tyrrell	
4,974,164	A	* 11/1990	Lewis et al.	33/1 L
5,243,504	A	9/1993	Sejzer	
5,313,713	A	* 5/1994	Heger et al.	33/366.14
5,519,592	A	5/1996	Helms	

5,637,838	A	6/1997	Arey et al.
D388,345	S	12/1997	Burns
D448,687	S	10/2001	Landwerlen
6,415,521	B1	7/2002	Schnell
6,615,520	B1	9/2003	Landers, Jr. et al.

* cited by examiner

Primary Examiner—Antoine D. Davis

(74) *Attorney, Agent, or Firm*—Stephen R. Greiner

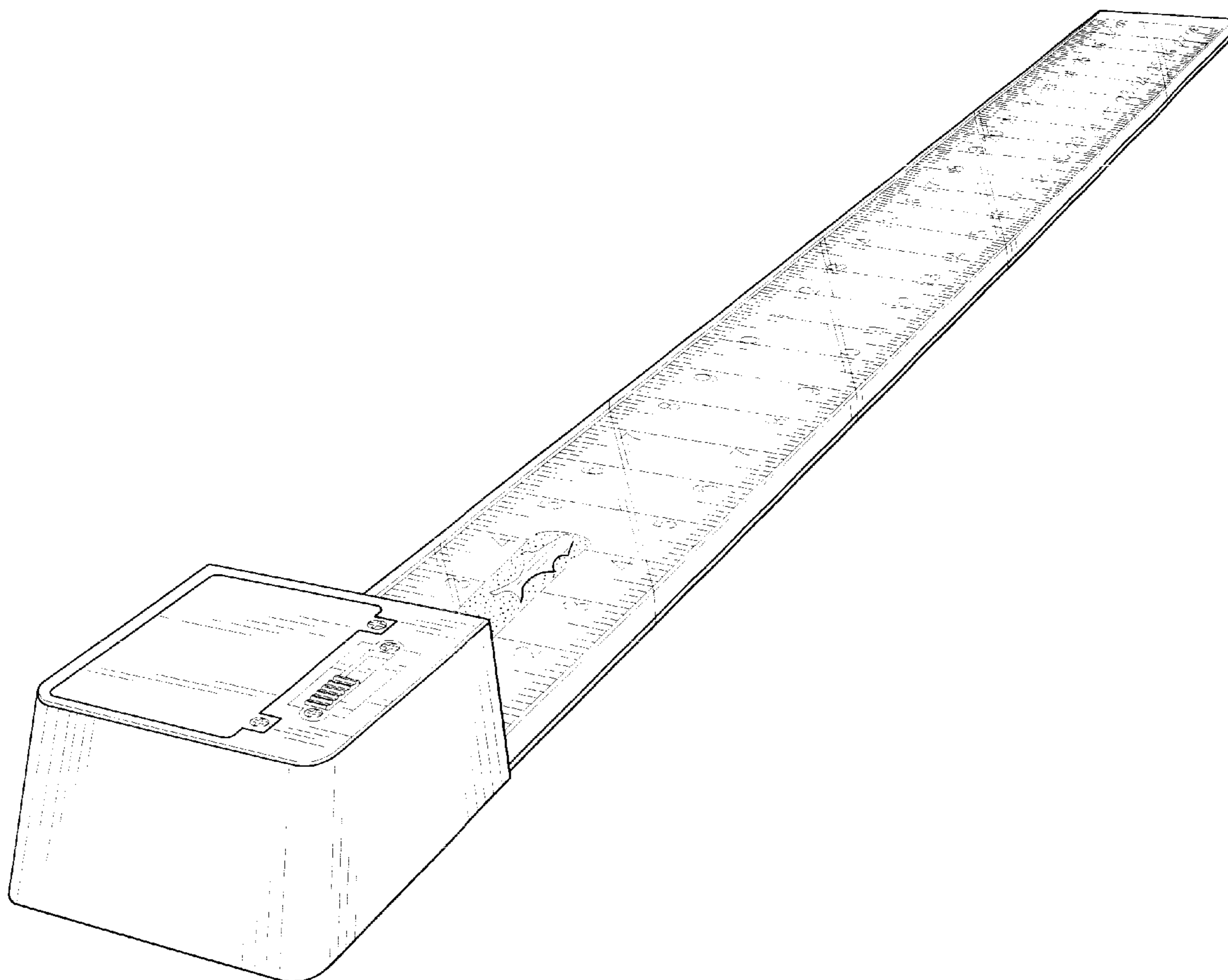
(57) **CLAIM**

The ornamental design for an illuminated ruler, as shown and described.

DESCRIPTION

FIG. 1 is an enlarged perspective view of an illuminated ruler showing my new design;
FIG. 2 is a top view thereof;
FIG. 3 is a bottom view thereof;
FIG. 4 is a front elevational view thereof;
FIG. 5 is a rear elevational view thereof; and,
FIG. 6 is a right side elevational view with the left side being a mirror image thereof.

1 Claim, 2 Drawing Sheets



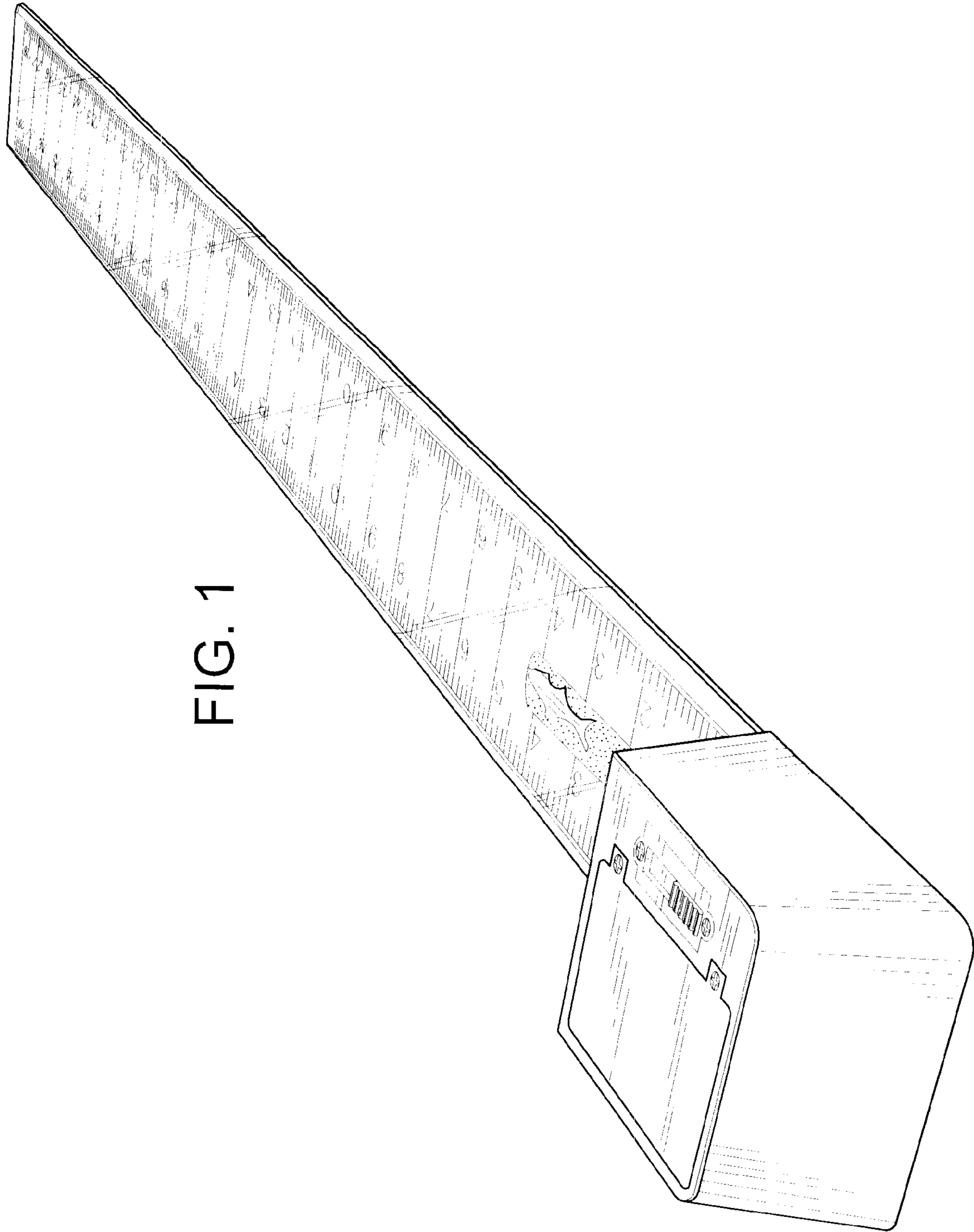


FIG. 1

FIG. 2

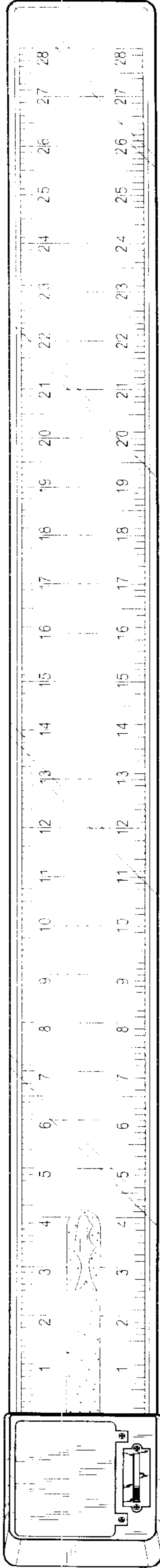


FIG. 3

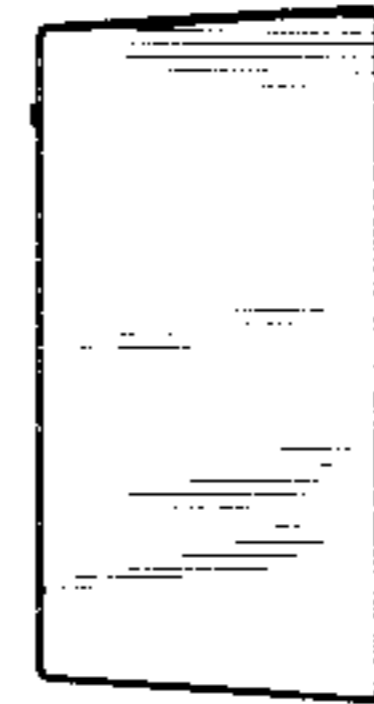
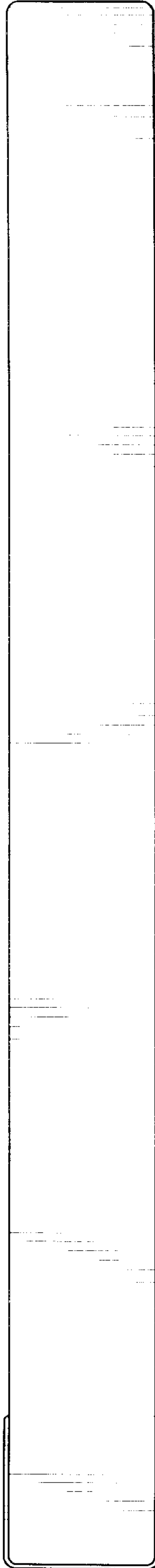


FIG. 4

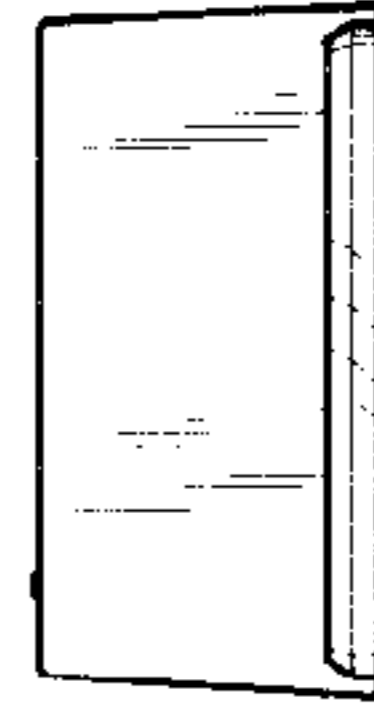


FIG. 5

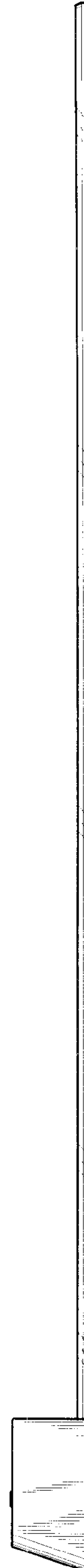


FIG. 6