



US00D530633S

(12) **United States Design Patent** (10) **Patent No.:** **US D530,633 S**
Moore (45) **Date of Patent:** **** *Oct. 24, 2006**

(54) **OPENED MODEL 1000 THERMOSTAT**

D470,114 S * 2/2003 Amborn et al. D10/49

* cited by examiner

(75) Inventor: **Glenn A. Moore**, Montgomery, IL (US)

Primary Examiner—Antoine D. Davis

(73) Assignee: **Braeburn Systems LLC**, Montgomery, IL (US)

(74) *Attorney, Agent, or Firm*—Dillis V. Allen, Esq.

(*) Notice: This patent is subject to a terminal disclaimer.

(57) **CLAIM**

The ornamental design for an opened model 1000 thermostat, as shown.

(**) Term: **14 Years**

DESCRIPTION

(21) Appl. No.: **29/240,205**

FIG. 1 is a perspective view of the present opened model 1000 thermostat design;

(22) Filed: **Oct. 6, 2005**

FIG. 2 is a front view of the present opened model 1000 thermostat design;

(51) **LOC (8) Cl.** **10-04**

(52) **U.S. Cl.** **D10/49; D10/50**

(58) **Field of Classification Search** D10/46–50;
236/46 R, 47, 49.3, 51, 84, 94; 400/485
See application file for complete search history.

FIG. 3 is a right side view of the present opened model 1000 thermostat design;

FIG. 4 is a left side view of the present opened model 1000 thermostat design;

FIG. 5 is a top view of the present opened model 1000 thermostat design;

FIG. 6 is a bottom view of the present opened model 1000 thermostat design; and,

FIG. 7 is a rear view of the present opened model 1000 thermostat design.

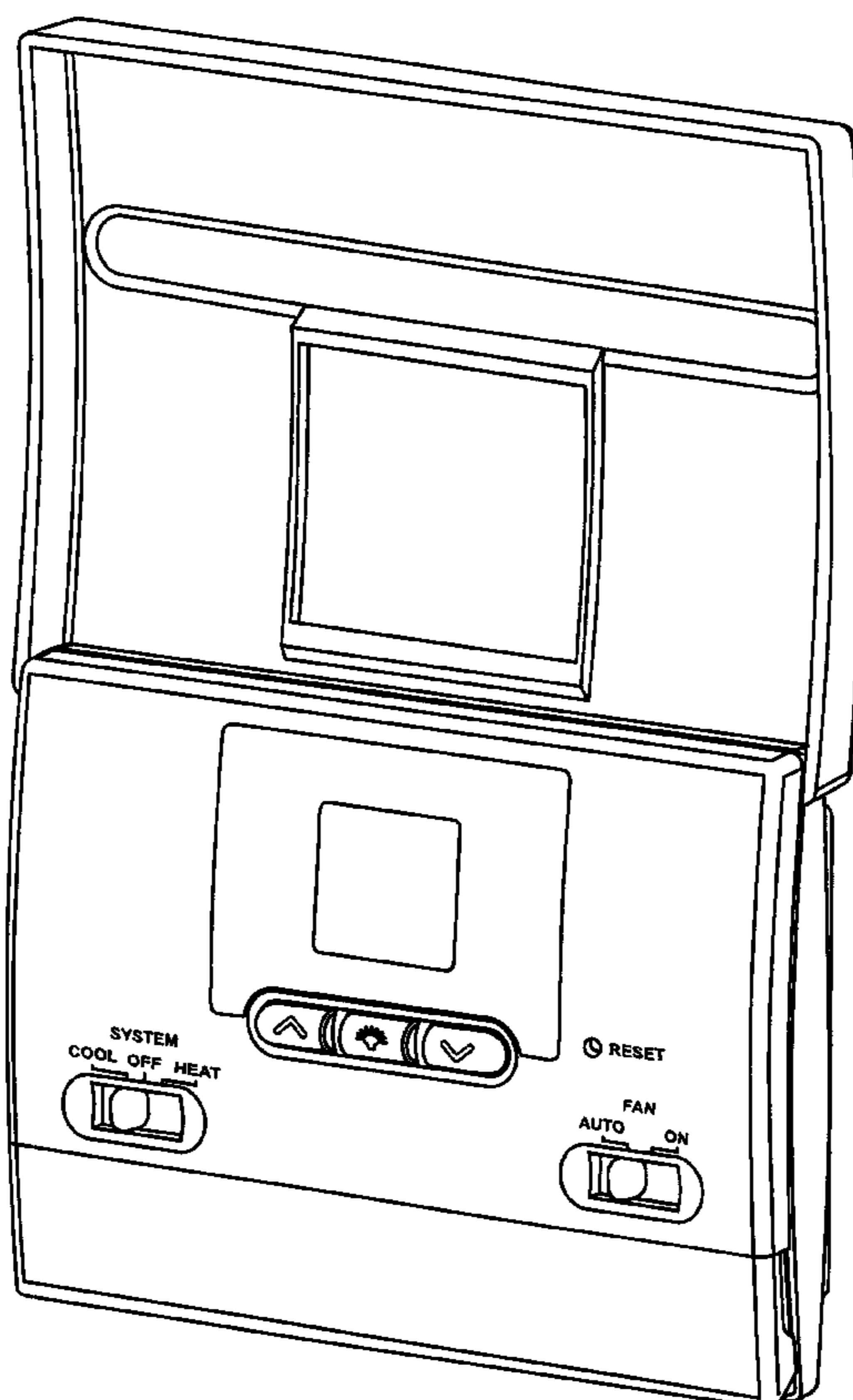
(56) **References Cited**

U.S. PATENT DOCUMENTS

D386,990 S * 12/1997 Gee, II D10/50

D457,821 S * 5/2002 Amborn et al. D10/49

1 Claim, 2 Drawing Sheets



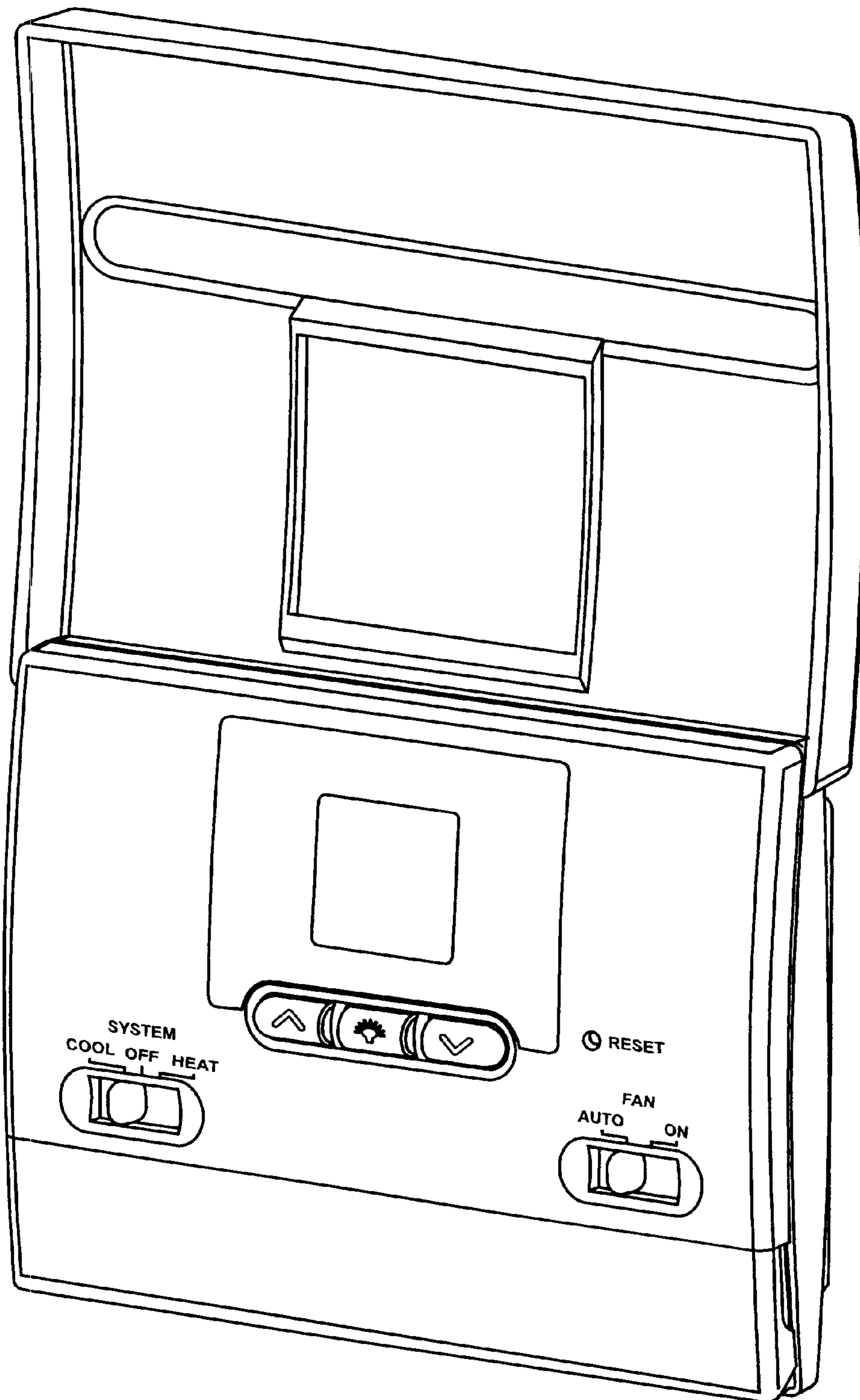


Fig. 1

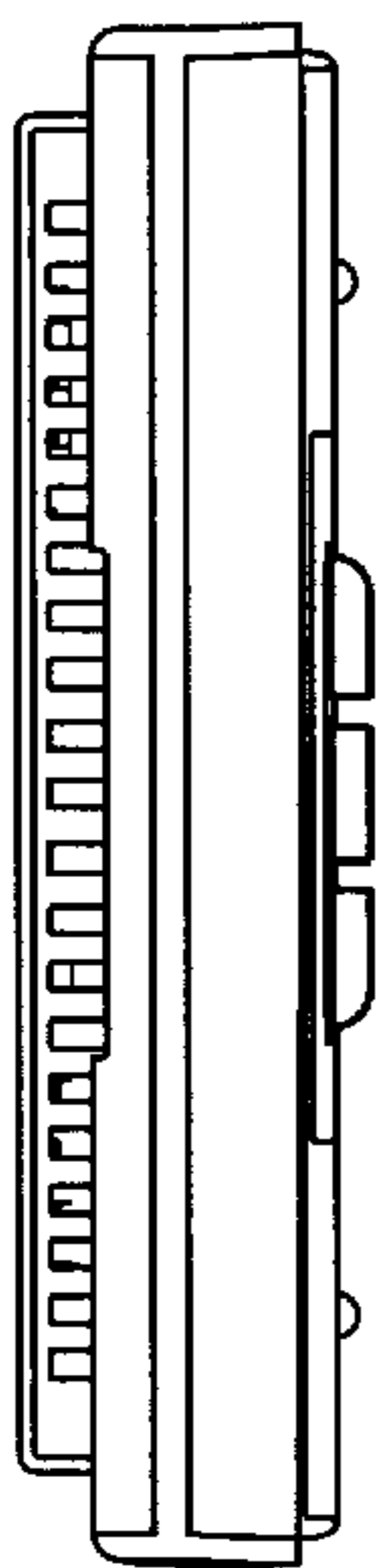


Fig. 5

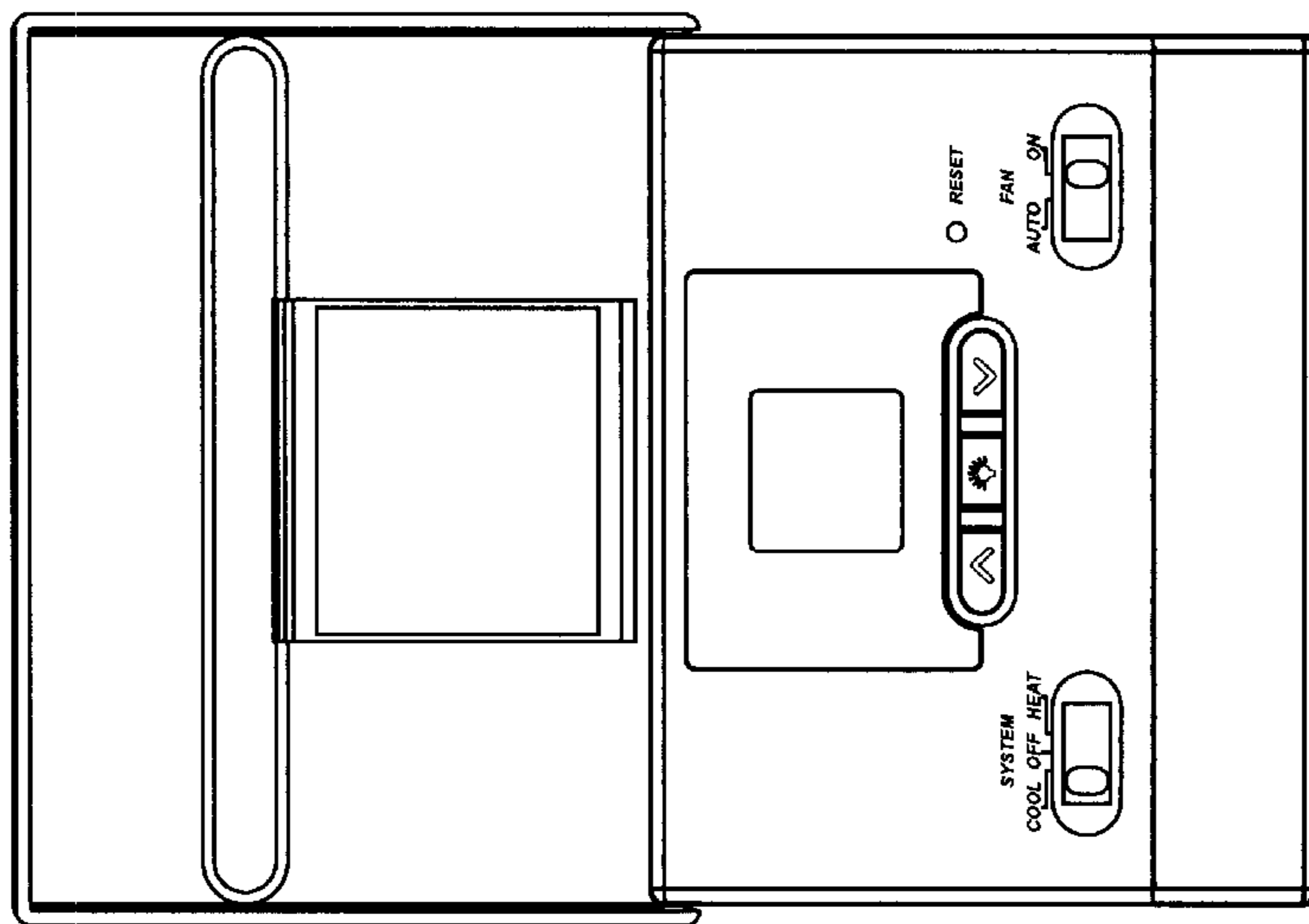


Fig. 3

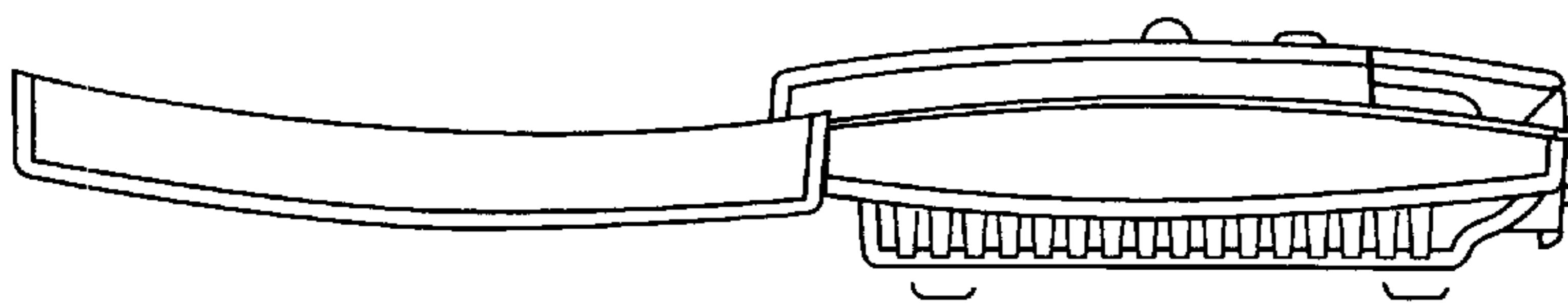


Fig. 4

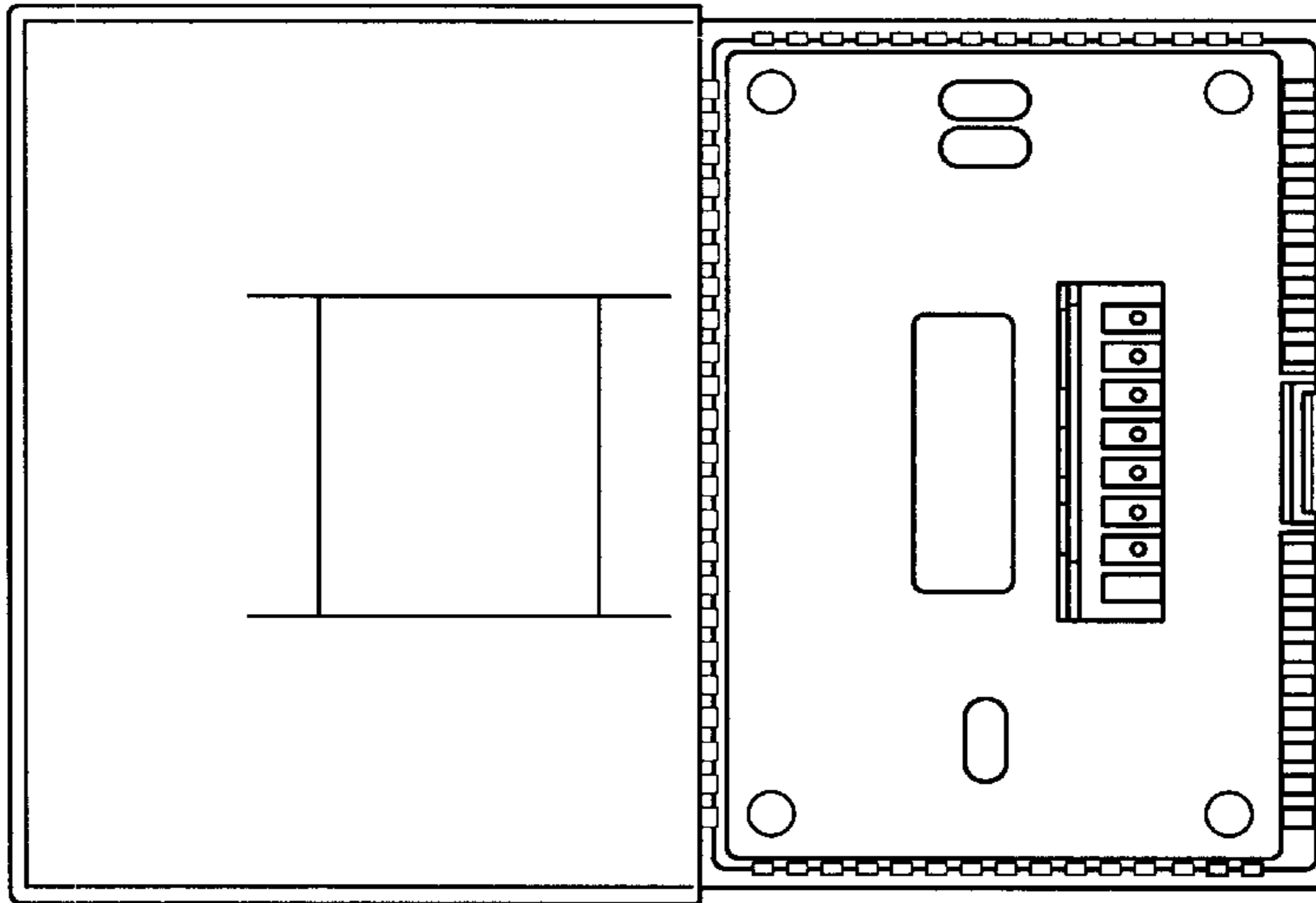


Fig. 7

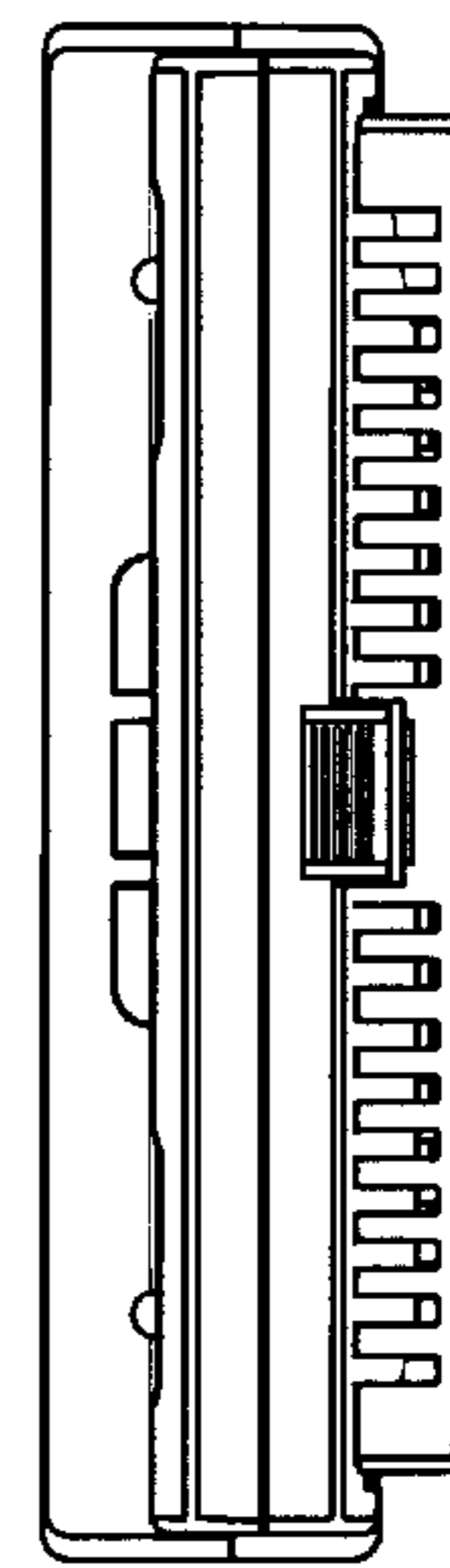


Fig. 6

Fig. 2