



US00D530631S

(12) **United States Design Patent**
Tsuruta et al.

(10) **Patent No.:** **US D530,631 S**
(45) **Date of Patent:** **** Oct. 24, 2006**

(54) **SHAPE DETECTING APPARATUS**

(56) **References Cited**

(75) Inventors: **Katsumi Tsuruta**, Nagoya (JP); **Takeo Iwasaki**, Nagoya (JP); **Hiroyuki Sasaki**, Chita (JP)

U.S. PATENT DOCUMENTS

6,707,554 B1 * 3/2004 Miltner et al. 356/433

* cited by examiner

Primary Examiner—Antoine D. Davis

(74) *Attorney, Agent, or Firm*—Oliff & Berridge, PLC

(73) Assignee: **Brother Industries, Ltd.**, Nagoya (JP)

(57) **CLAIM**

(**) Term: **14 Years**

The ornamental design for shape detecting apparatus, as shown and described.

DESCRIPTION

(21) Appl. No.: **29/240,221**

FIG. 1 is a perspective view of a shape detecting apparatus;

(22) Filed: **Oct. 12, 2005**

FIG. 2 is a front view thereof;

(30) **Foreign Application Priority Data**

Apr. 15, 2005 (JP) 2005-011361

FIG. 3 is a top view thereof;

(51) **LOC (8) Cl.** **10-04**

FIG. 4 is a right-side view thereof;

(52) **U.S. Cl.** **D10/46**

FIG. 5 is a left-side view thereof;

(58) **Field of Classification Search** D10/46;

356/600–602, 612–615, 620–625, 629, 640,

356/2–3.01, 3.09; 250/237 G, 559.19, 559.22;

382/154, 245

FIG. 6 is a rear view thereof;

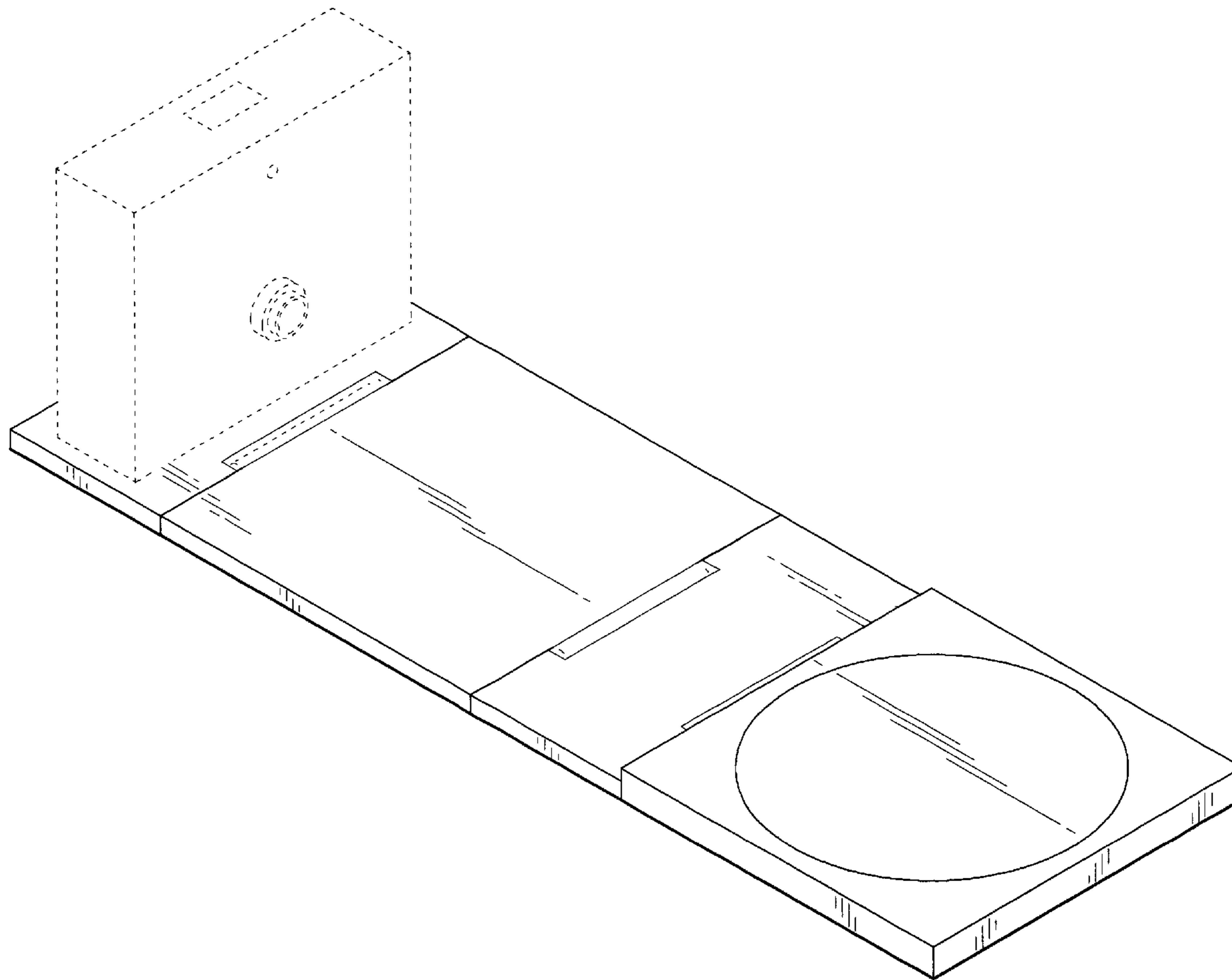
FIG. 7 is a bottom view thereof; and,

FIG. 8 is a cross-sectional view thereof taken along the lines 8—8 of FIG. 3.

The broken lines are for illustrative purposes only and form no part of the claimed design.

See application file for complete search history.

1 Claim, 5 Drawing Sheets



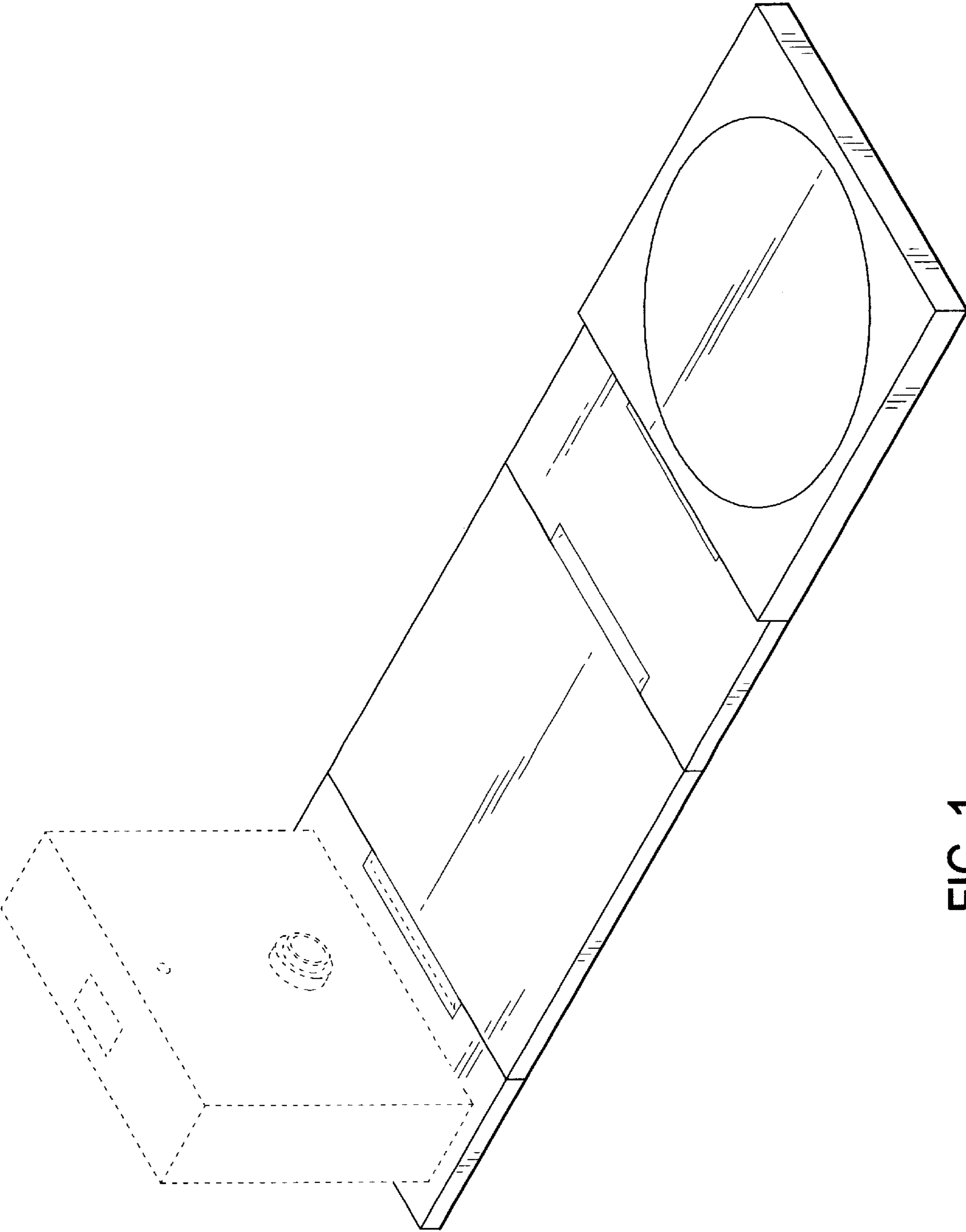


FIG. 1

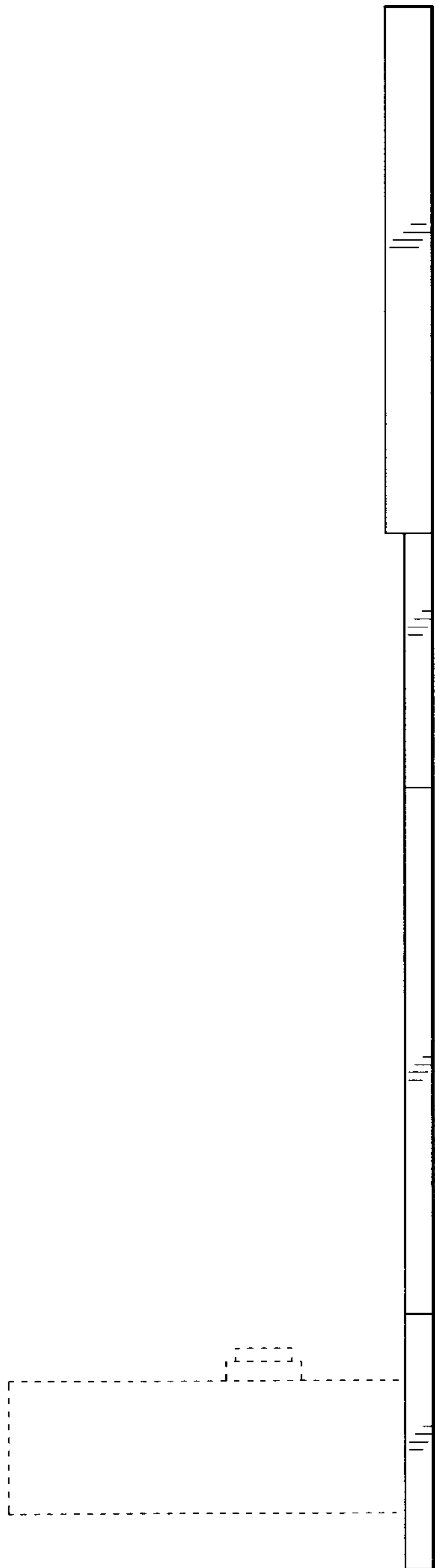


FIG. 2

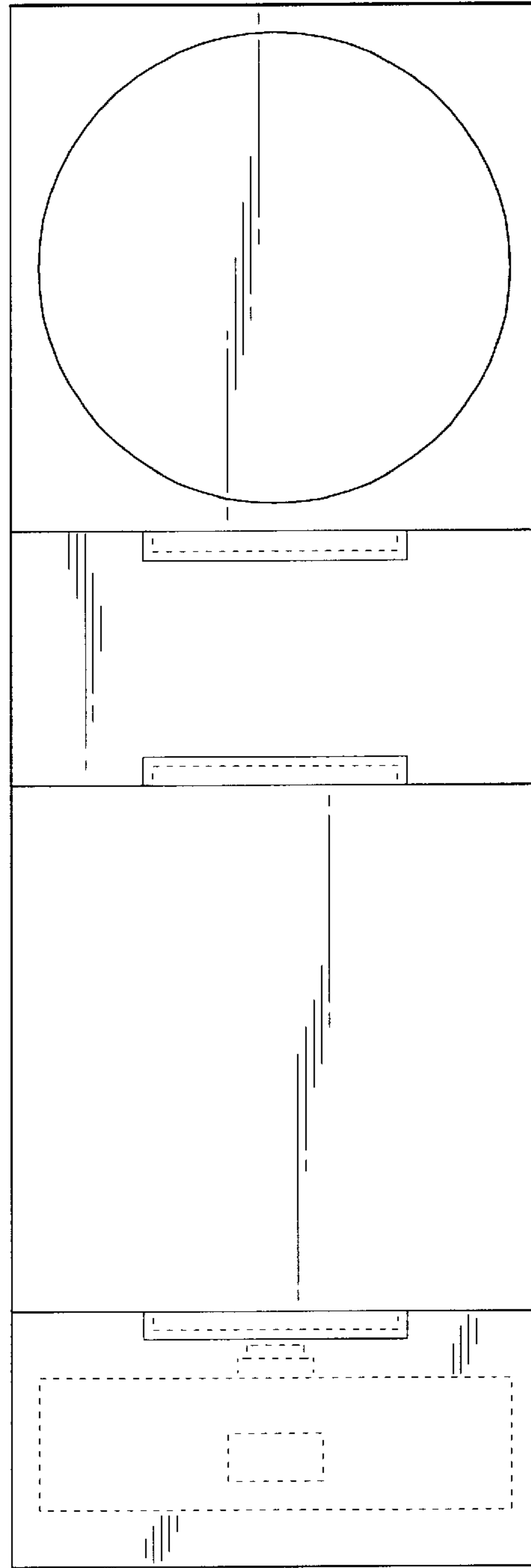


FIG. 3

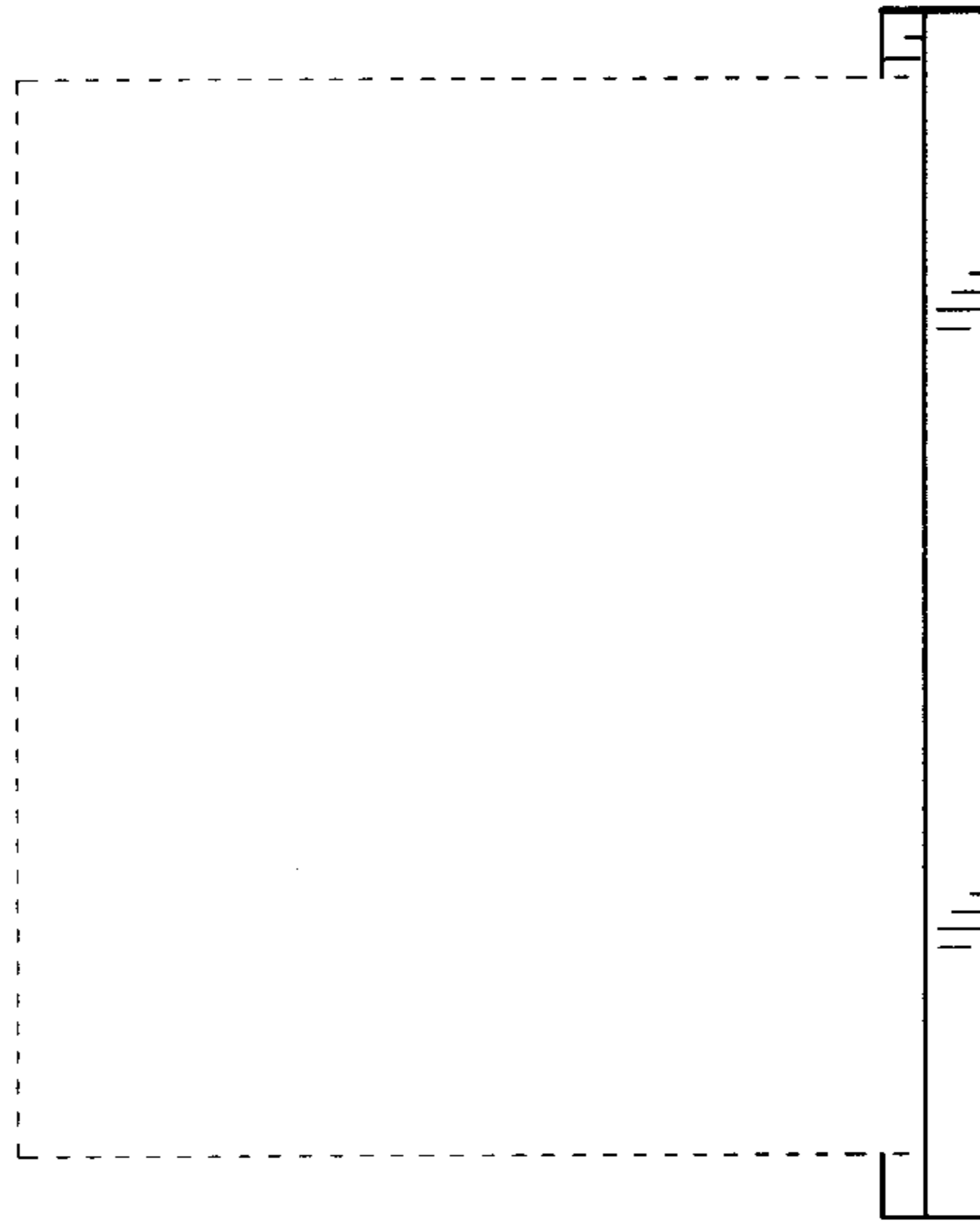


FIG. 4

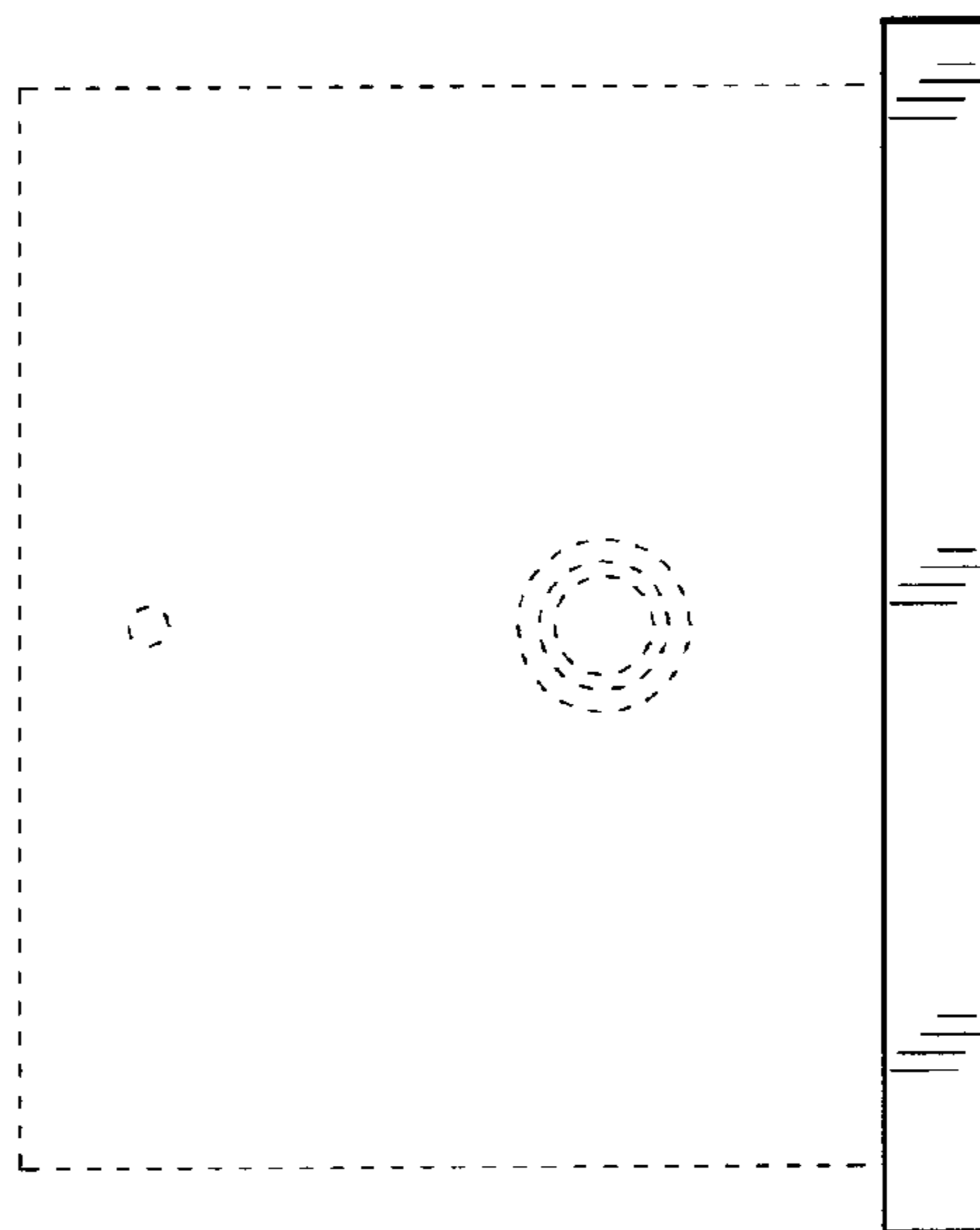


FIG. 5

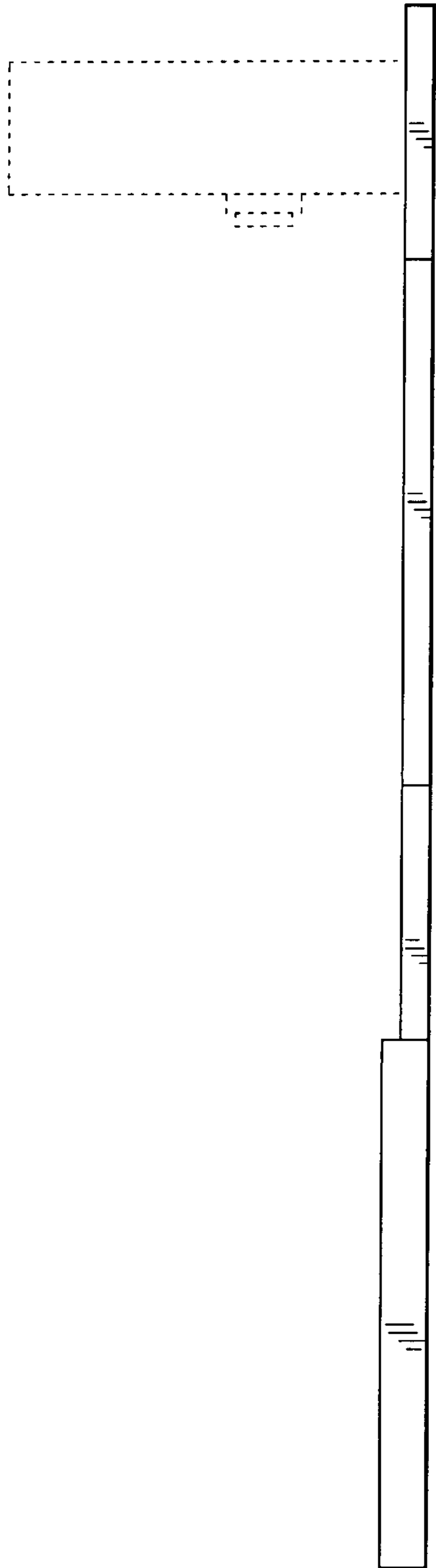


FIG. 6

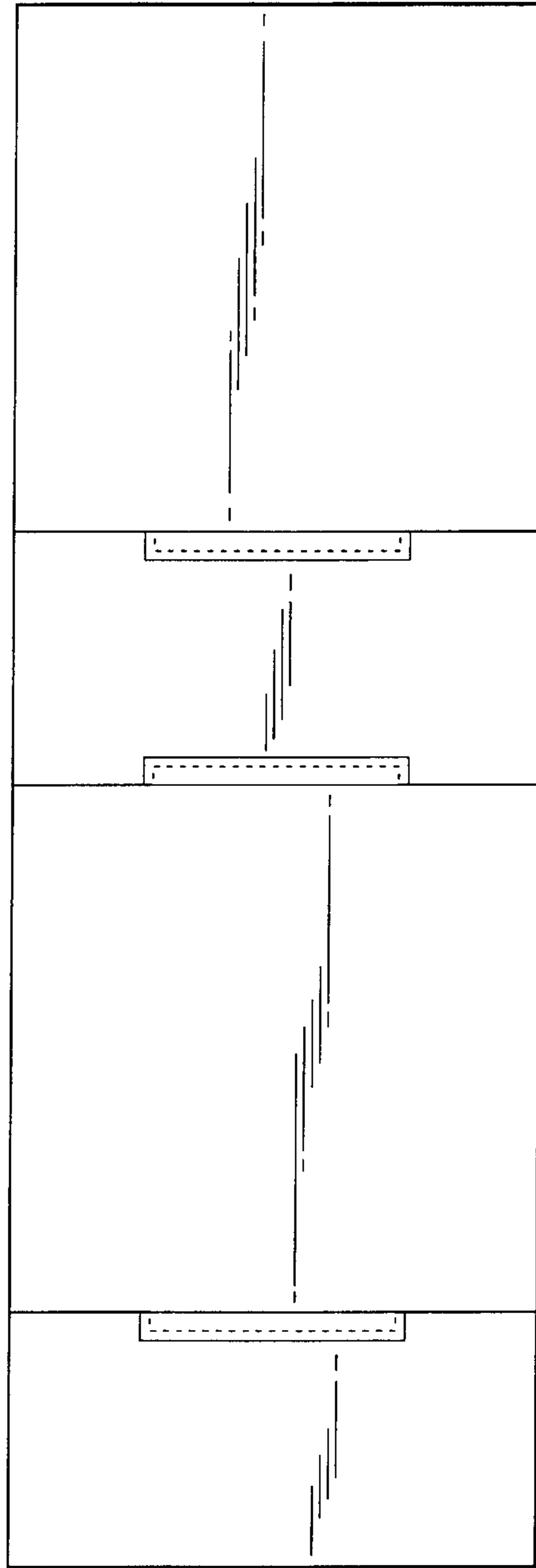


FIG. 7

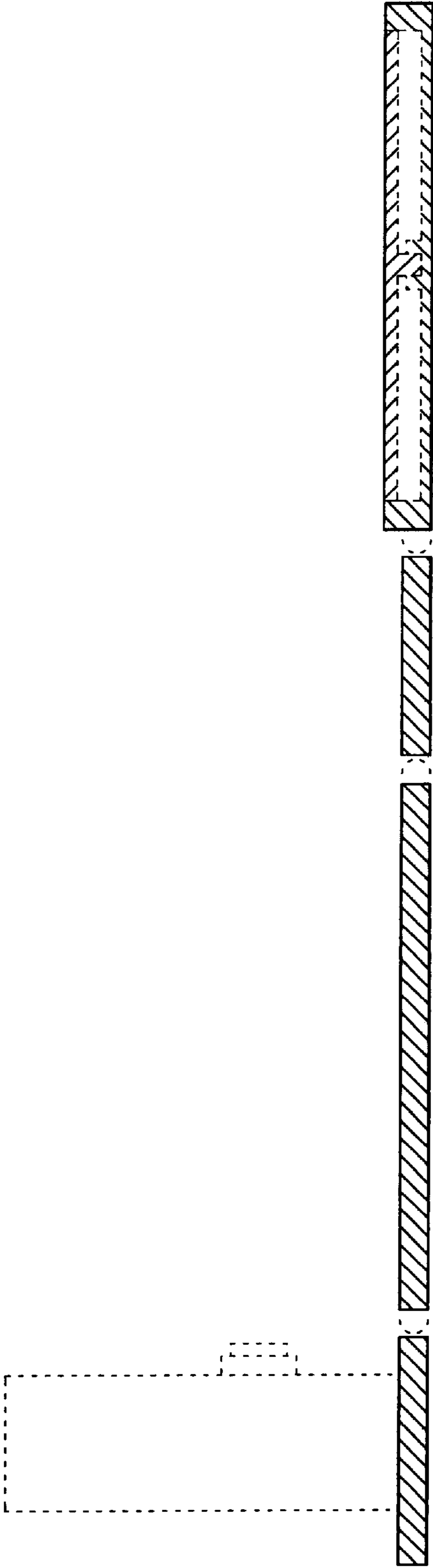


FIG. 8