



US00D530630S

(12) **United States Design Patent** (10) **Patent No.:** **US D530,630 S**
Calvani (45) **Date of Patent:** **** Oct. 24, 2006**

(54) **WATCH FRAME**

(75) Inventor: **Maria Cristina Calvani**, Cologny (CH)

(73) Assignee: **Rolex Watch U.S.A., Inc.**, New York, NY (US)

(**) Term: **14 Years**

(21) Appl. No.: **29/238,673**

(22) Filed: **Sep. 20, 2005**

(30) **Foreign Application Priority Data**

Mar. 22, 2005 (CH) 131652

(51) **LOC (8) Cl.** **10-02**

(52) **U.S. Cl.** **D10/38**

(58) **Field of Classification Search** D10/30-39,
D10/122-132; 368/276, 281, 282, 285, 294,
368/295, 316, 317, 21-27, 28-30, 82-84,
368/226, 228, 232, 250, 239-242, 223, 10

See application file for complete search history.

(56) **References Cited**

U.S. PATENT DOCUMENTS

D93,390 S	*	9/1934	Graef	D10/39
D366,216 S	*	1/1996	Bulgari	D10/39
D403,248 S	*	12/1998	Magninat	D10/30
D410,200 S	*	5/1999	Bulgari	D10/39
D443,531 S	*	6/2001	Bulgari	D10/32
D452,171 S	*	12/2001	Bodino	D10/32
D478,515 S	*	8/2003	Sugiura et al.	D10/32
D490,325 S	*	5/2004	de Limburg-Stirum	D10/39
D490,720 S	*	6/2004	Modolo	D10/32

OTHER PUBLICATIONS

Hong Kong Enterprise, Jun. 1990, p. 74, watch AL-225.*

Messe-Ruckblick, Jun. 1986, p. 29, watches.*

Wristwatches—A Handbook and Price Guide, by Brunner and Pfeiffer-Bell, Schiffer Publishing, 1993, p. 88, watches.*

W. Bell Catalog, 1987, p. 96, item No. 3, Jules Jurgensen watch.*

A. Lange & Söhne, Cabaret, Reference: 107.032, Annuario Di Orologi 2002/2003.

A. Lange & Söhne, Arkade, Reference: 103.021, Annuario Di Orologio 2002/2003.

A. Lange & Söhne, Arkade, Reference: 801.030, Annuario Di Orologio 2002/2003.

A. Lange & Söhne, Grande Arkade, Reference: 106.032, Annuario Di Orologio 2002/2003.

Audemars Piguet, Promesse, Reference: 67347BA.Z.1157 BA.01, Annuario Di Orologio 2002/2003.

Audemars Piguet, Promesse, Reference: 67461BC.Z.00023LZ.01, Annuario Di Orologio 2002/2003.

Audemars Piguet, Canapé, Reference: 15091BC.O.0002CR.02, Catalogue 2002.

Audemars Piguet, Canapé, Reference: 15091B4.O.0002CR.01, Catalogue 2002.

Audemars Piguet, Canapé, Reference: 6736OBC.O.0002CR.01, Catalogue 2002.

Audemars Piguet, Reference: 15121OR.O.0002 CR.01, Catalogue 2002.

Boucheron, Reflet Icare, Reference: WA005409, Annuario Di Orologio 2002/2003.

Boucheron, Reflet Icare, Reference: WA005516, Annuario Di Orologio 2002/2003.

(Continued)

Primary Examiner—Lucy Lieberman

(74) *Attorney, Agent, or Firm*—Sughrue Mion, PLLC

(57) **CLAIM**

The ornamental design for a watch frame, as shown.

DESCRIPTION

FIG. 1 is a top plan view of a watch frame showing my new design;

FIG. 2 is a front elevational view thereof;

FIG. 3 is a right side elevational view thereof;

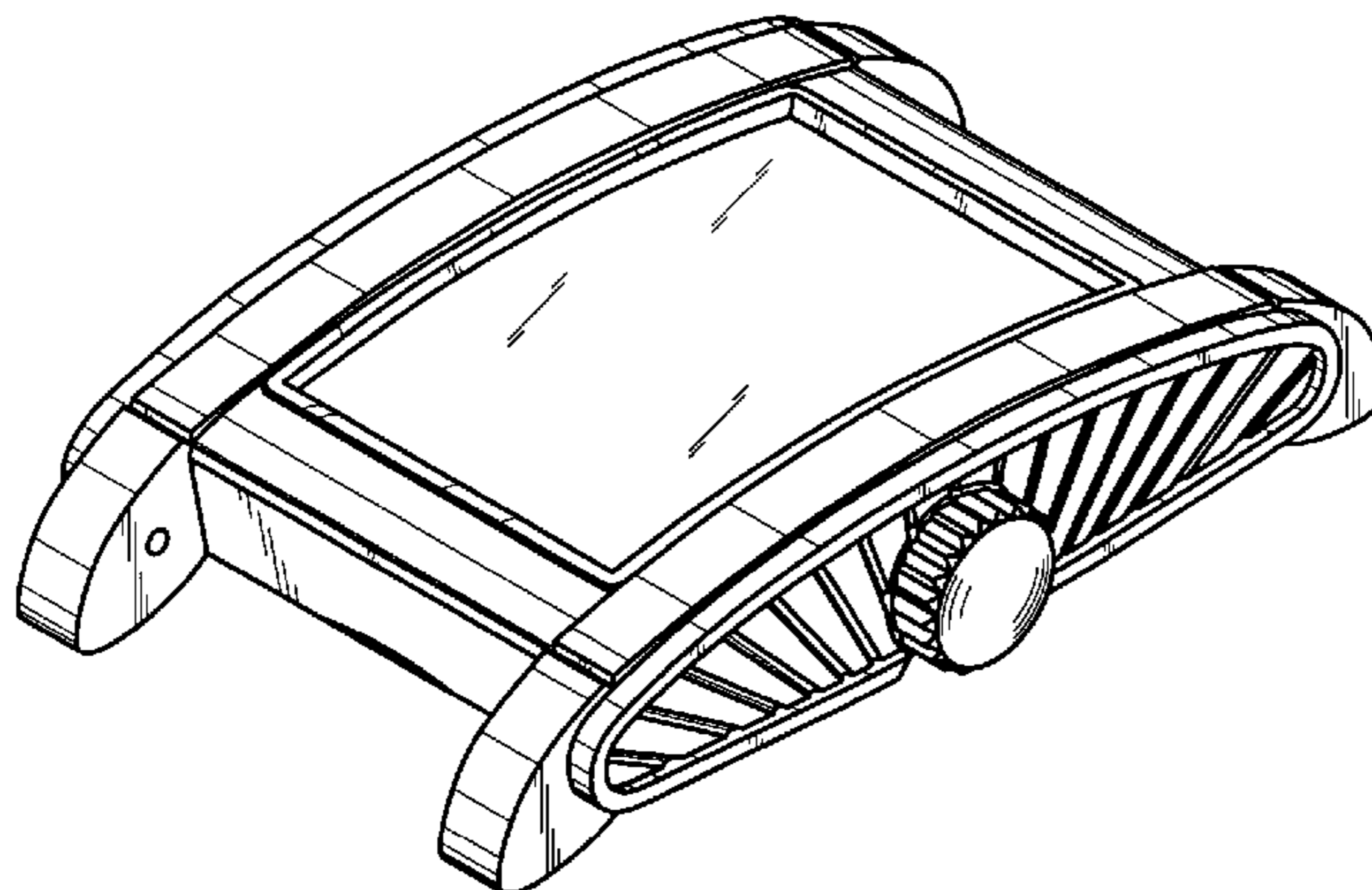
FIG. 4 is a bottom plan view thereof;

FIG. 5 is a rear elevational view thereof;

FIG. 6 is a left side elevational view thereof; and,

FIG. 7 is a perspective view of the top, front and right side thereof.

1 Claim, 3 Drawing Sheets



OTHER PUBLICATIONS

- Bréguet, Héritage, Reference: 3670BA/12/984, Annuario Di Orologio 2002/2003.
- Bulgari, Rettangolo, Reference: RT39GL, Annuario Di Orologio 2002/2003.
- Bulgari, Rettangolo, (compiled Jan. 2003).
- Bulova, Gold Collection Fashionable, Reference: BG 879 1, Annuario Di Orologio 2000/2001.
- Bulova, Gold Collection Gioielleria, Reference: BH 9381.2, Annuario Di Orologio 2002/2003.
- Bulova, Gold Collection Quartz Lady, Reference: BH 9251.2, Annuario Di Orologio 2002/2003.
- Cartier, Tank Américaine, Reference: MM, Catalogue 2002.
- Cartier, Tank Américaine, Reference: GM, Catalogue 2002.
- Cartier, Tank Américaine, Reference: GM, Catalogue 2002.
- Chopard, Strada ?, Reference: 41/7423/8, Site Jan. 2003 (compiled Jan. 2003).
- Girard-Perregaux, Reference: 25960.051.1151, Catalogue 2001 (compiled Jan. 2003).
- Girard-Perregaux, Reference: 25960.51.2162, Catalogue 2001 (compiled Jan. 2003).
- Girard-Perregaux, Reference: 25960.0.52.6756, Catalogue 2001 (compiled Jan. 2003).
- Girard-Perregaux, Reference: 25960.052.1161, Catalogue 2001 (compiled Jan. 2003).
- Glashütte, 1845 Karree Piccoli Secondi, Reference: 42-05-01-02-04, Annuario Di Orologi 2002/2003.
- Graham, Sprint, Reference: GR-SPR-OR-3PA, Annuario Di Orologi 2002/2003.
- Jaeger-LeCoultre, Reverso Memory, Reference: 255.140.822 B, Annuario Di Orologi 2000/2001.
- Jaeger-LeCoultre, Reverso Grande Taille, Reference: 270.340627 EB, Annuario Di Orologi 2000/2001.
- Jaeger-LeCoultre, Reverso Art Déco, Reference: 270.240.623 B, Annuario Di Orologi 2000/2001.
- Parmigiani, Forma Hebdomadaire, Reference: PF005716, Annuario Di Orologi 2002/2003.
- Patek Philippe, Gondolo Cabriolet, Reference: 5099RG, Annuario Di Orologi 2000/2001.
- Patek Philippe, Pagoda, (compiled Jan. 2003).
- Patek Philippe, Gondolo 5010, Reference: 5010J, (compiled Jan. 2003).
- Patek Philippe, Gondolo, Reference: 5024, (compiled Jan. 2003).
- Patek Philippe, Gondolo, Reference: 5014, (compiled Jan. 2003).
- Longines, Dolce Vita Classic, Reference: L5.502.6.16.6, (Catalogue 2000 / compiled Jan. 2003).
- Longines, Dolce Vita Classic, Reference: L5.655.6.16, (Catalogue 2000 / compiled Jan. 2003).
- Longines, Dolce Vita Classic, Reference L5.166.6.16.2, Annuario Di Orologi 2002/2003.
- Muller Franck, Cintré Curvex Gran Data, Reference: 2851 LTD, Annuario Di Orologi 2002/2003.
- Tiffany, Mark Regulator, listed Sep. 2002.
- Vacheron Constantin, Piccoli Secondi Rettangolare Anse A Goccia, Reference: 91001/000J, Annuario Di Orologi 2000/2001.
- Auguste Reymond, Charleston Maxi, (compiled Nov. 2004).
- Auguste Reymond, Classique, (compiled Nov. 2004).
- Auguste Reymond, Diva, (compiled Nov. 2004).
- Baume & Mercier, (compiled Nov. 2004).
- Bedat & Co., Geneve, (compiled Nov. 2004).
- Boucheron, Suivant, (compiled Nov. 2004).
- Boucheron, Precedent Suivant, (compiled Nov. 2004).
- Boucheron, Precedent Retour, (compiled Nov. 2004).
- Bulgari, (compiled Nov. 2004).
- Cartier, (compiled Nov. 2004).
- Dolce & Gabbana, Nov. 2004 (Chrono World, May 2002).
- Ebel, 1911 La Carree, 2004, (compiled Nov. 2004).
- Ebel, Tarawa, 2004, (compiled Nov. 2004).
- Harry Winston, The Avenue Collection, (compiled Nov. 2004).
- Eberhard & Co., 40034 Les Courbees, (compiled Nov. 2004).
- Laco (circa 1940), Chrono World 2002.
- Lanvin, (compiled Nov. 2004).
- Piaget, (compiled Nov. 2004).
- Michel Yacare, (compiled Nov. 2004).
- Yves Saint Laurent, (compiled Nov. 2004).

* cited by examiner

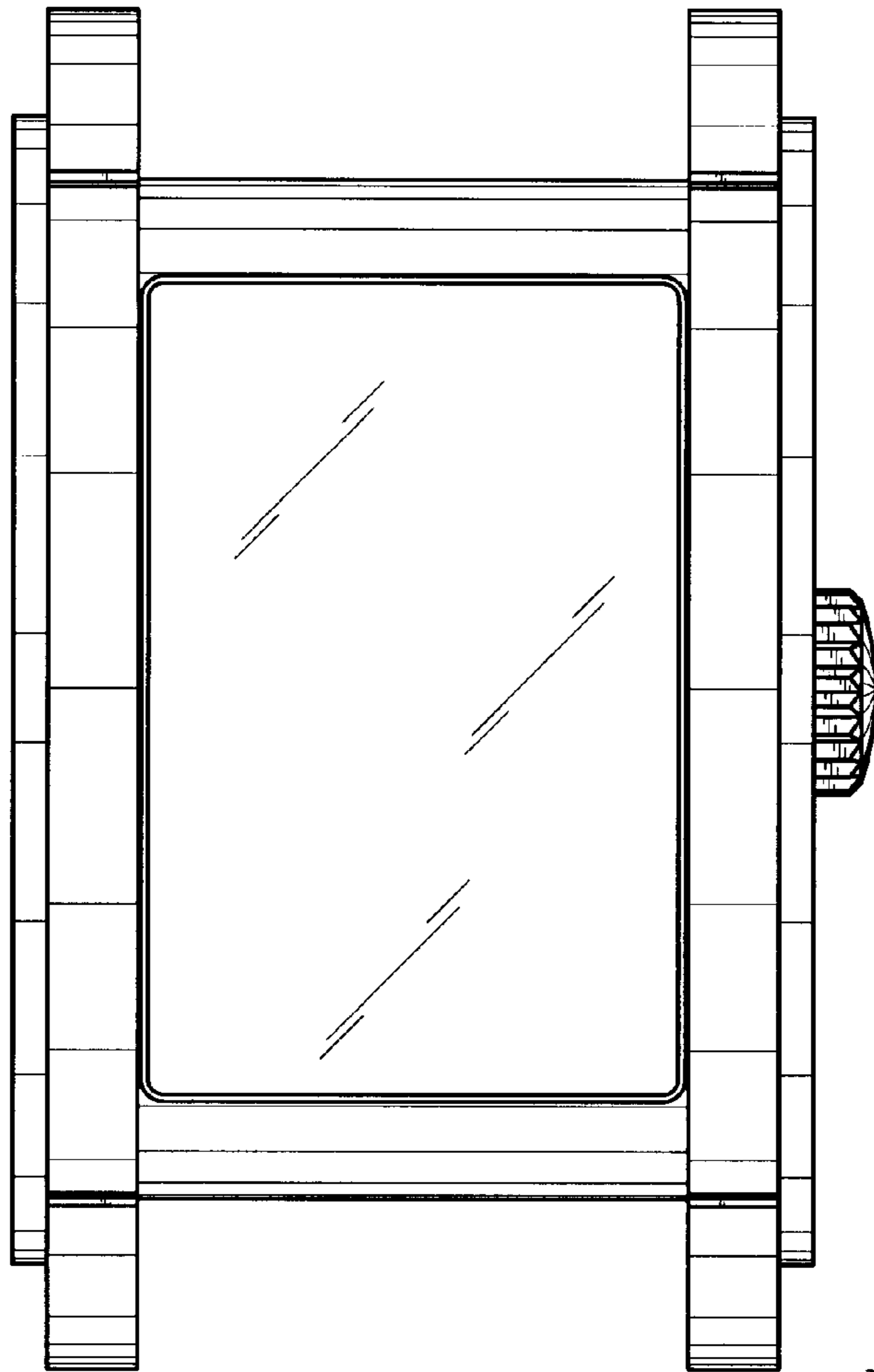


Fig. 1

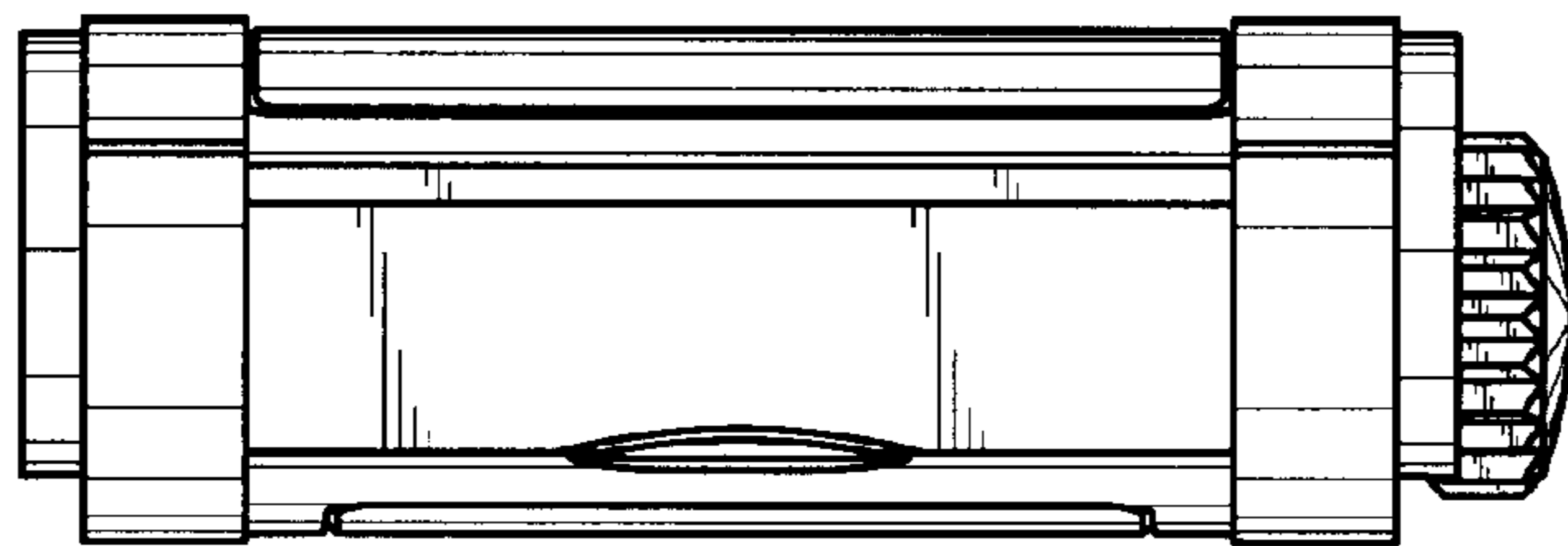


Fig. 2

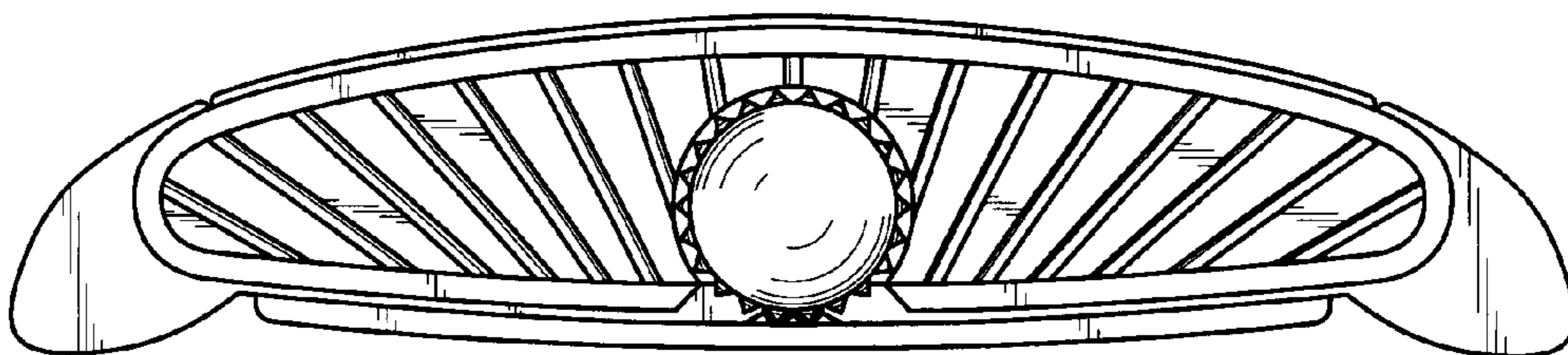


Fig. 3

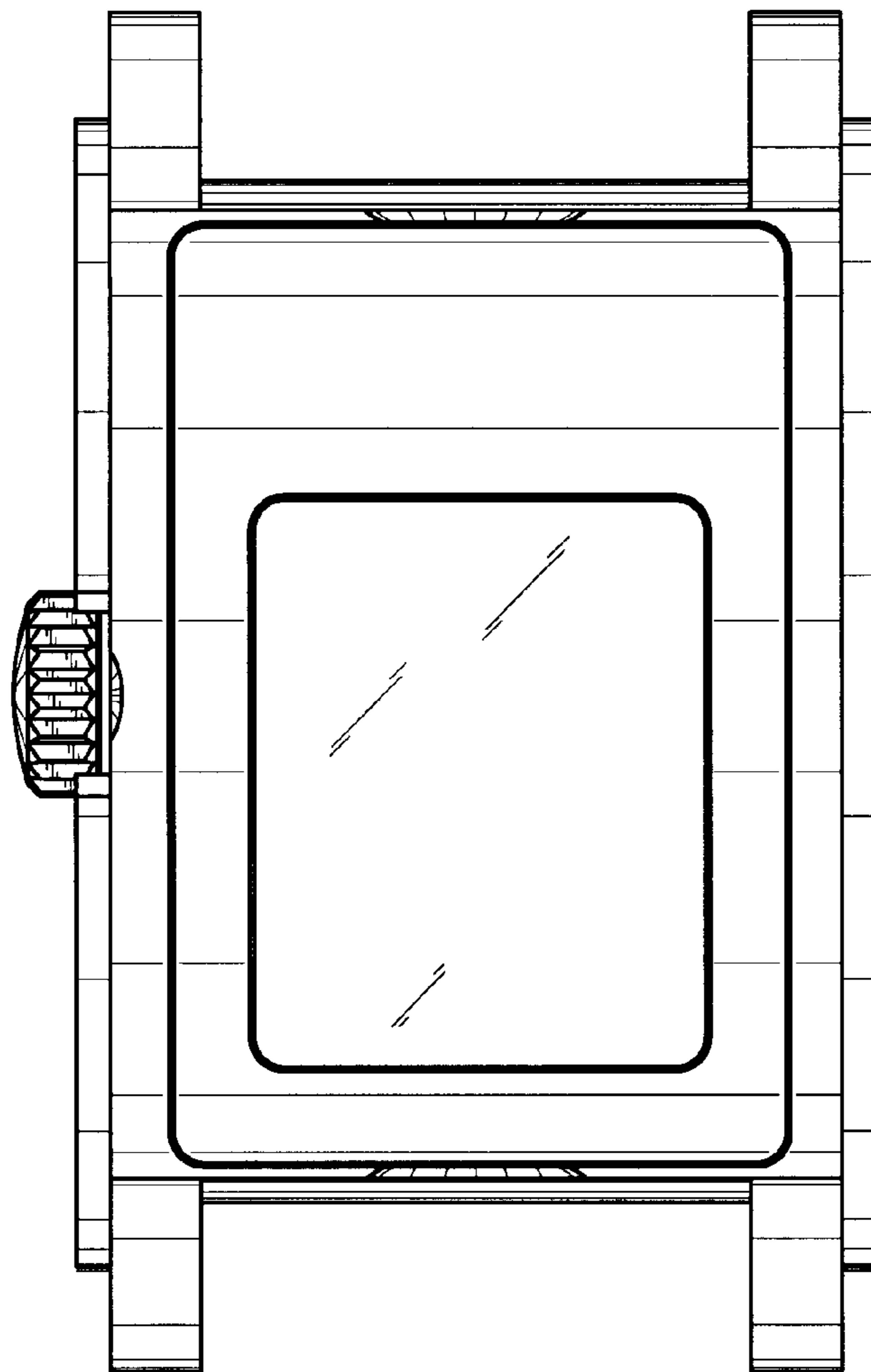


Fig. 4

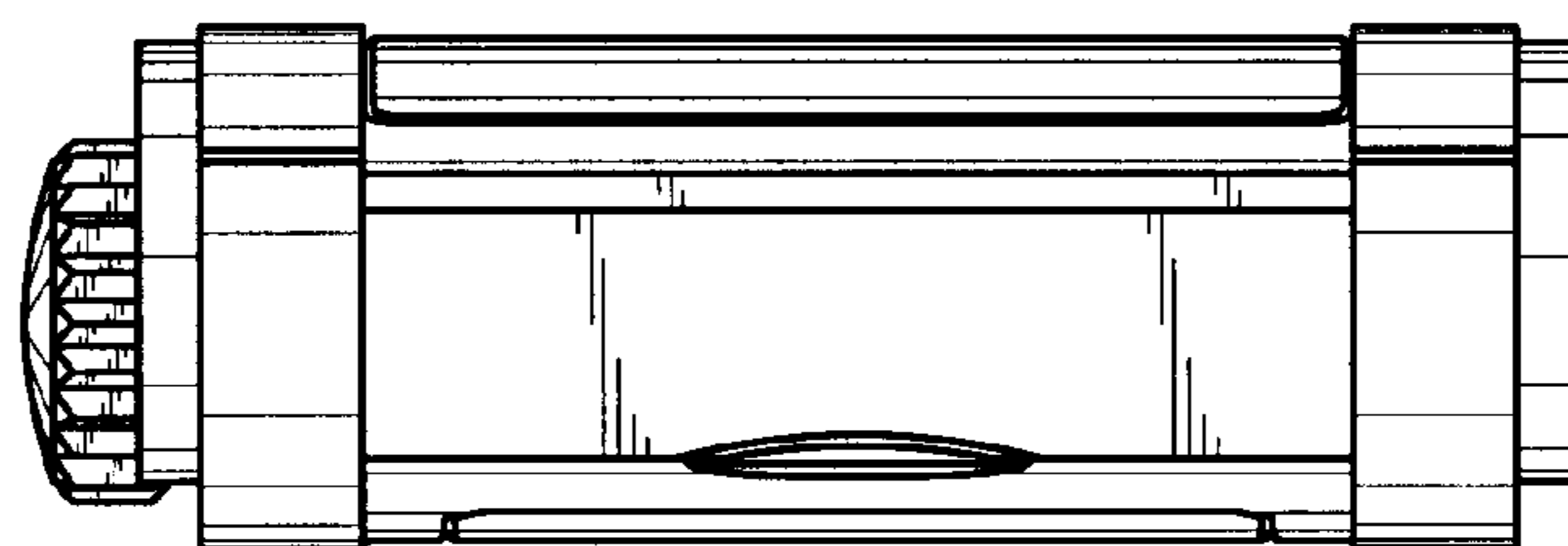


Fig. 5

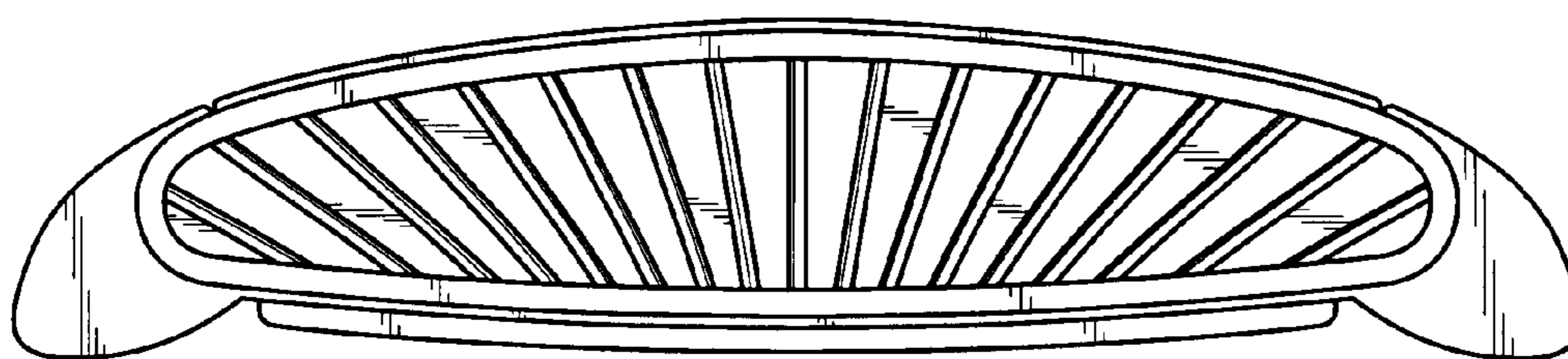


Fig. 6

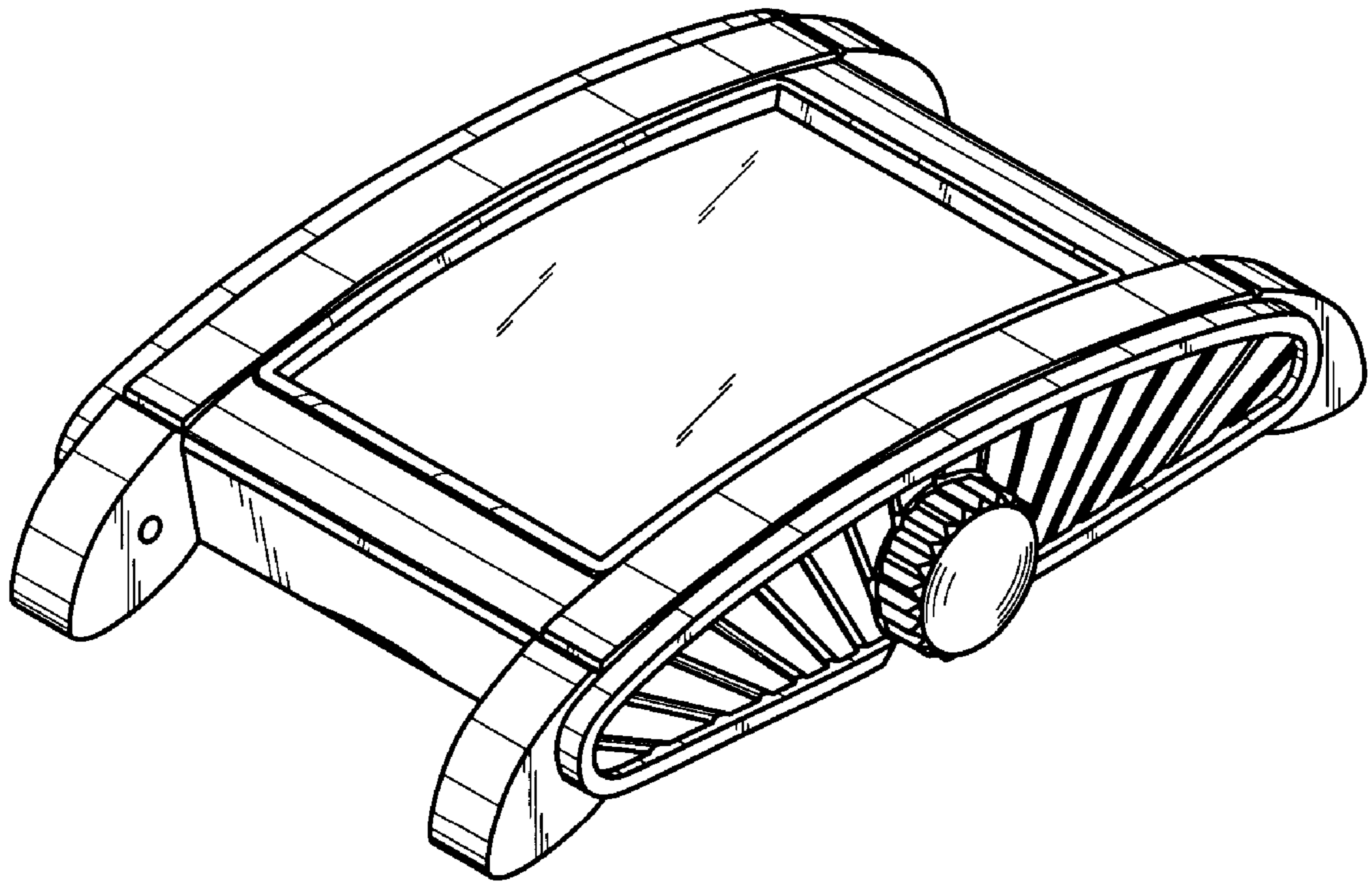


Fig. 7