



US00D530628S

(12) **United States Design Patent**
Raffy

(10) **Patent No.:** **US D530,628 S**

(45) **Date of Patent:** **** Oct. 24, 2006**

(54) **WRISTWATCH**

(75) **Inventor:** **Pascal Raffy**, Genolier (CH)

(73) **Assignee:** **Bovet Fleurier SA**, Fleurier (CH)

(**) **Term:** **14 Years**

(21) **Appl. No.:** **29/240,952**

(22) **Filed:** **Oct. 21, 2005**

(30) **Foreign Application Priority Data**

Jul. 27, 2005 (CH) 132056

(51) **LOC (8) Cl.** **10-02**

(52) **U.S. Cl.** **D10/32**

(58) **Field of Classification Search** D10/30-39,
D10/123-126; 368/276, 277, 281-283, 285,
368/10, 21, 28-30, 223, 228, 239-242, 232,
368/234

See application file for complete search history.

(56) **References Cited**

U.S. PATENT DOCUMENTS

D42,657 S * 6/1912 Wachter D10/32
1,085,857 A * 2/1914 Fitch 368/277
D47,376 S * 5/1915 DePollier D10/32
1,210,771 A * 1/1917 DePollier 368/277

D52,465 S * 9/1918 Block D10/32
D315,311 S * 3/1991 Ratajski D10/32
5,398,218 A * 3/1995 Munnier et al. 368/282
D386,984 S * 12/1997 Kubisch D10/39
D438,473 S * 3/2001 Dumas D10/39
D457,816 S * 5/2002 Guye D10/32
D473,477 S * 4/2003 Roden D10/32
D505,342 S * 5/2005 Hayek D10/39

* cited by examiner

Primary Examiner—Lucy Lieberman

(74) *Attorney, Agent, or Firm*—Sughrue Mion, PLLC

(57) **CLAIM**

The ornamental design for a wristwatch, as shown.

DESCRIPTION

FIG. 1 is a perspective view of the front and right side of a wristwatch showing my new design;
FIG. 2 is a front elevational view thereof;
FIG. 3 is a perspective view of the rear and left side thereof;
FIG. 4 is a rear elevational view thereof;
FIG. 5 is a right side elevational view thereof;
FIG. 6 is a left side elevational view thereof;
FIG. 7 is a top plan view thereof; and,
FIG. 8 is a bottom plan view thereof.

1 Claim, 2 Drawing Sheets

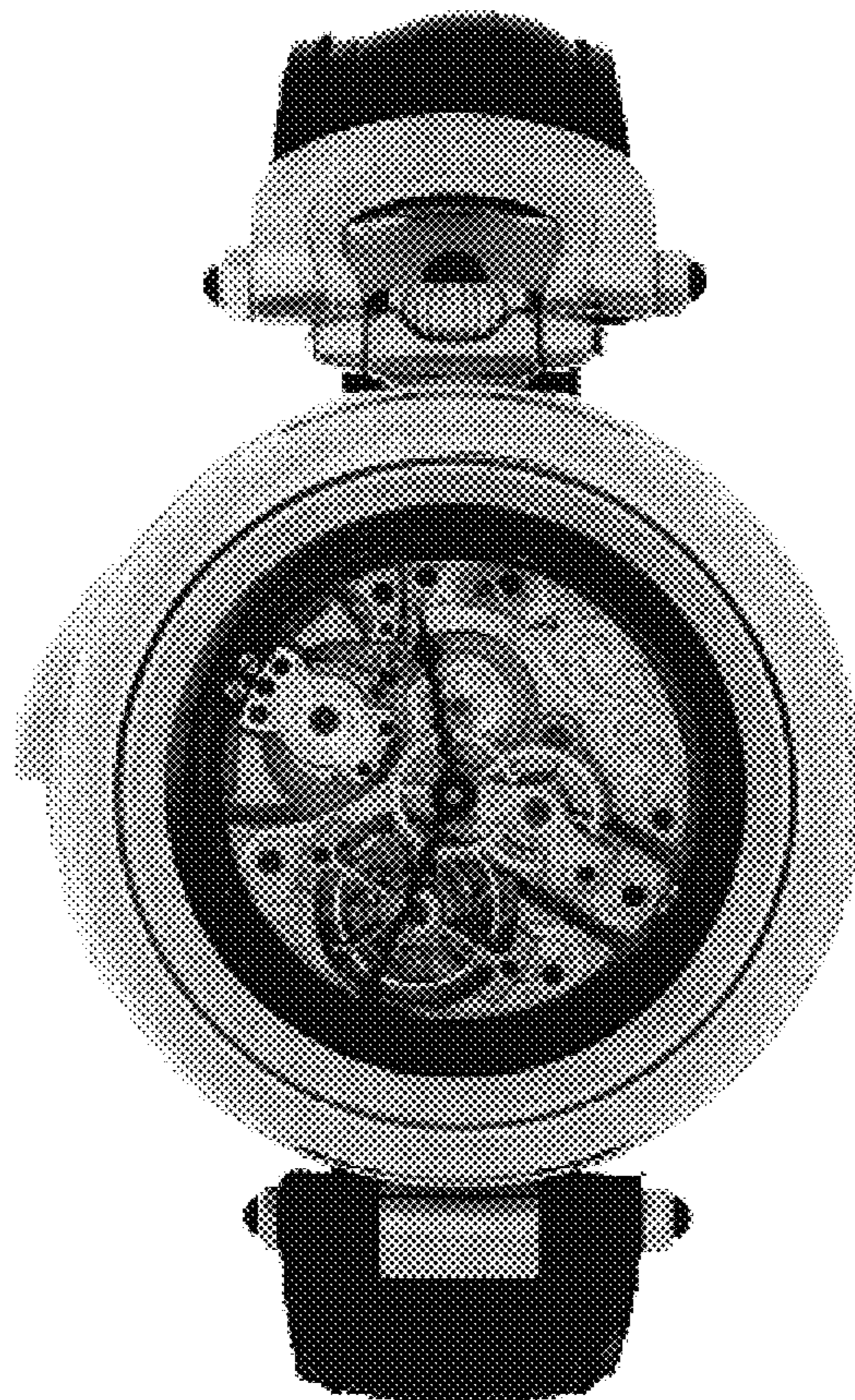


FIG. 1

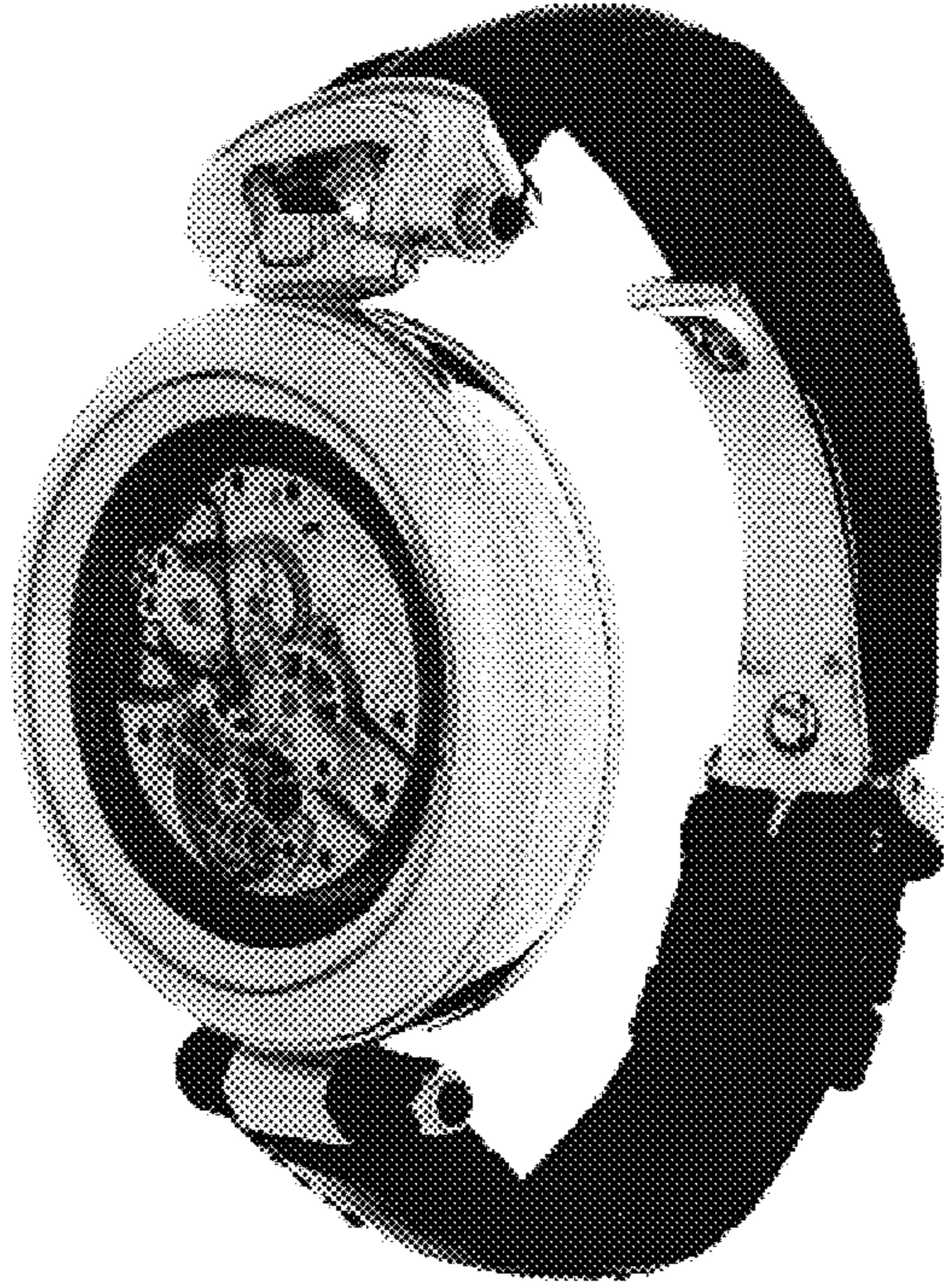


FIG. 3

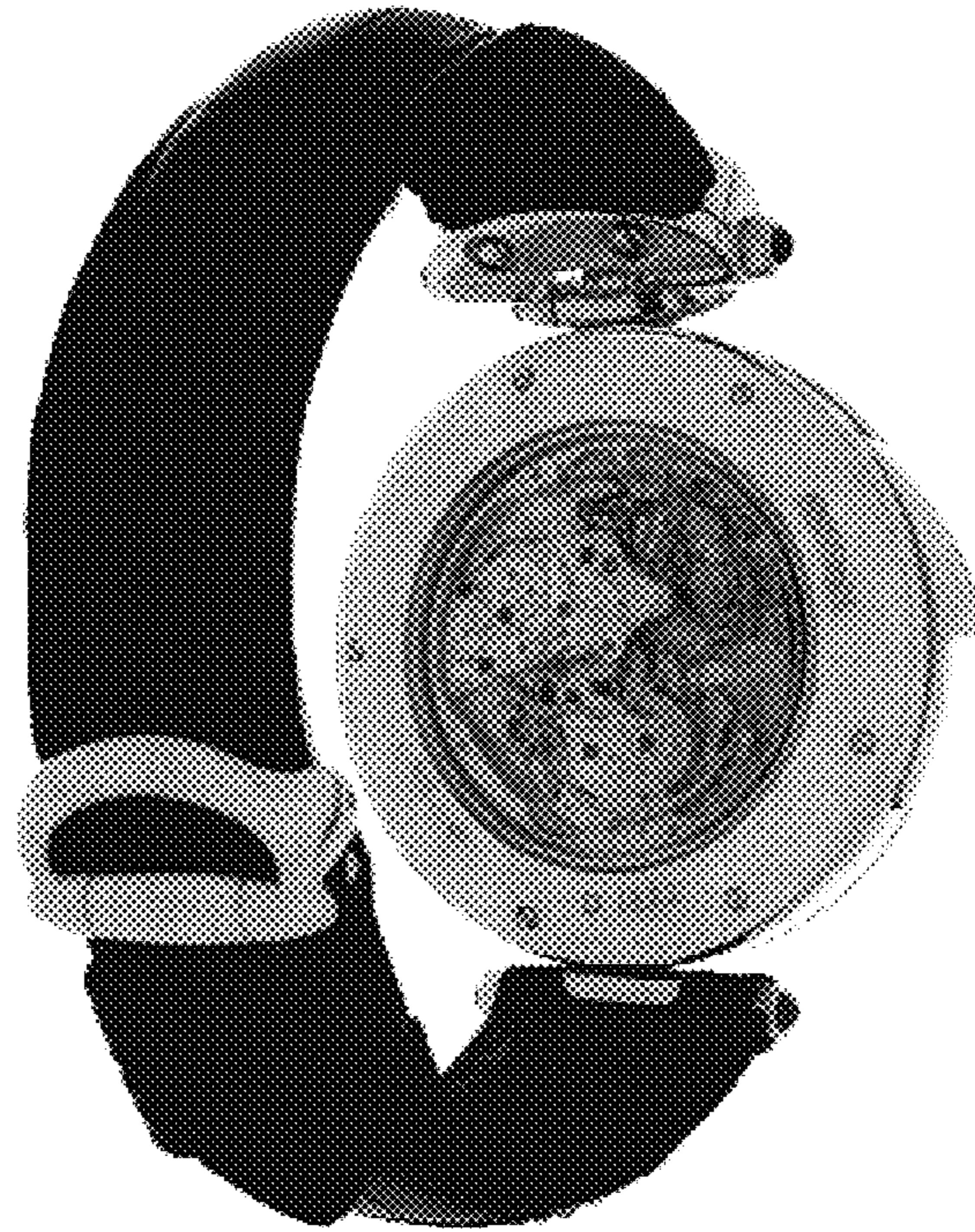


FIG. 2

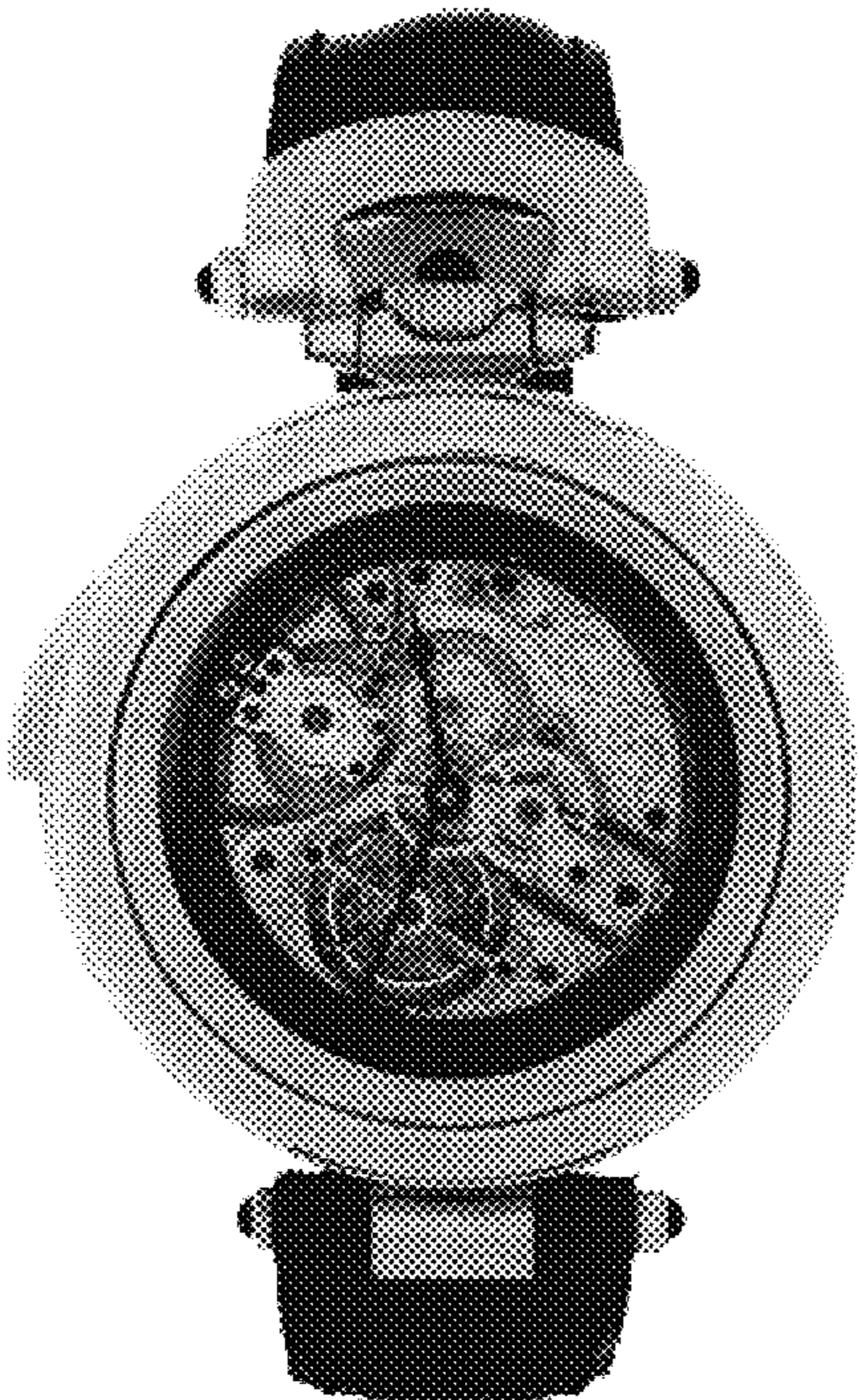


FIG. 4

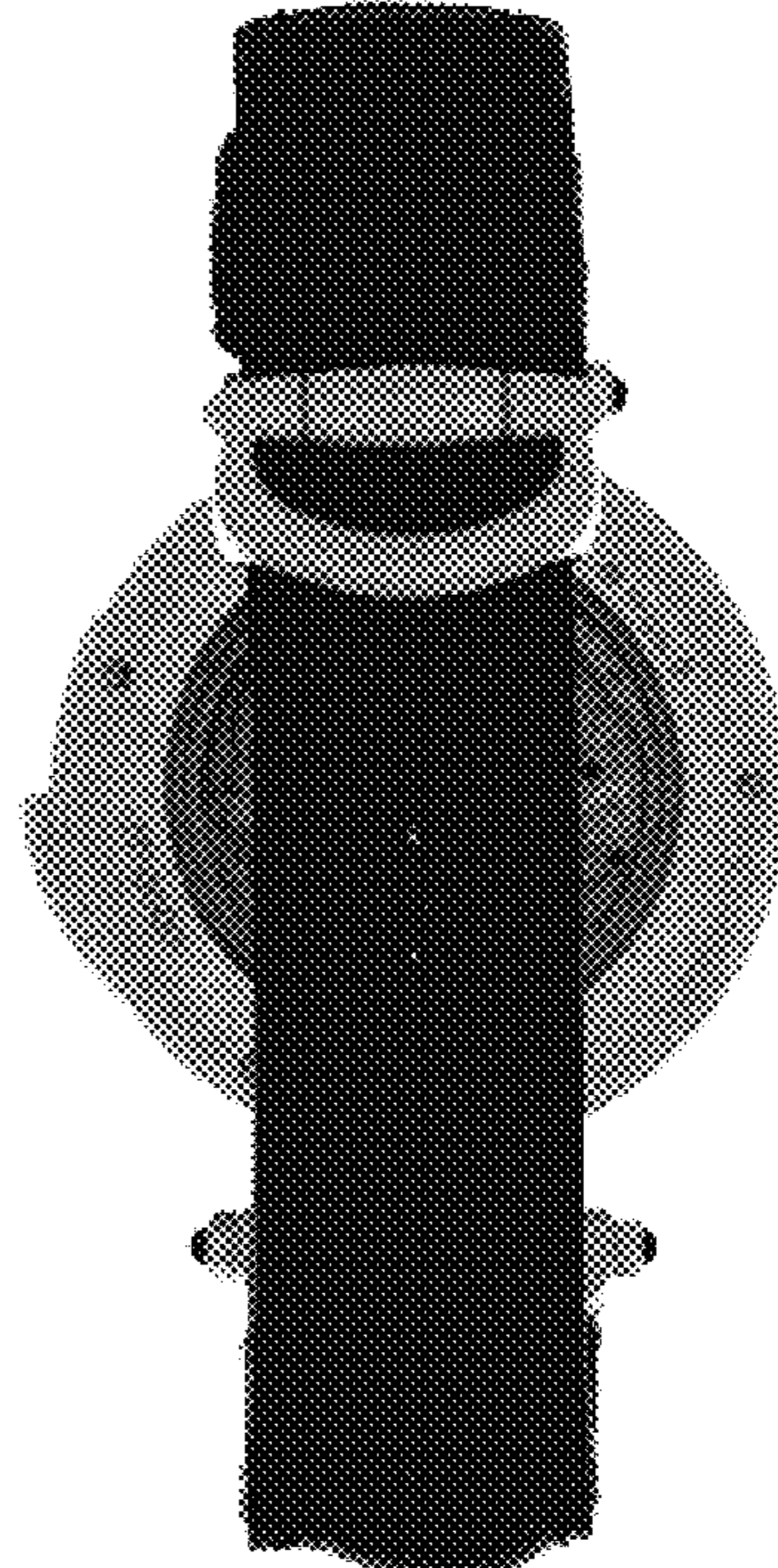


FIG. 5

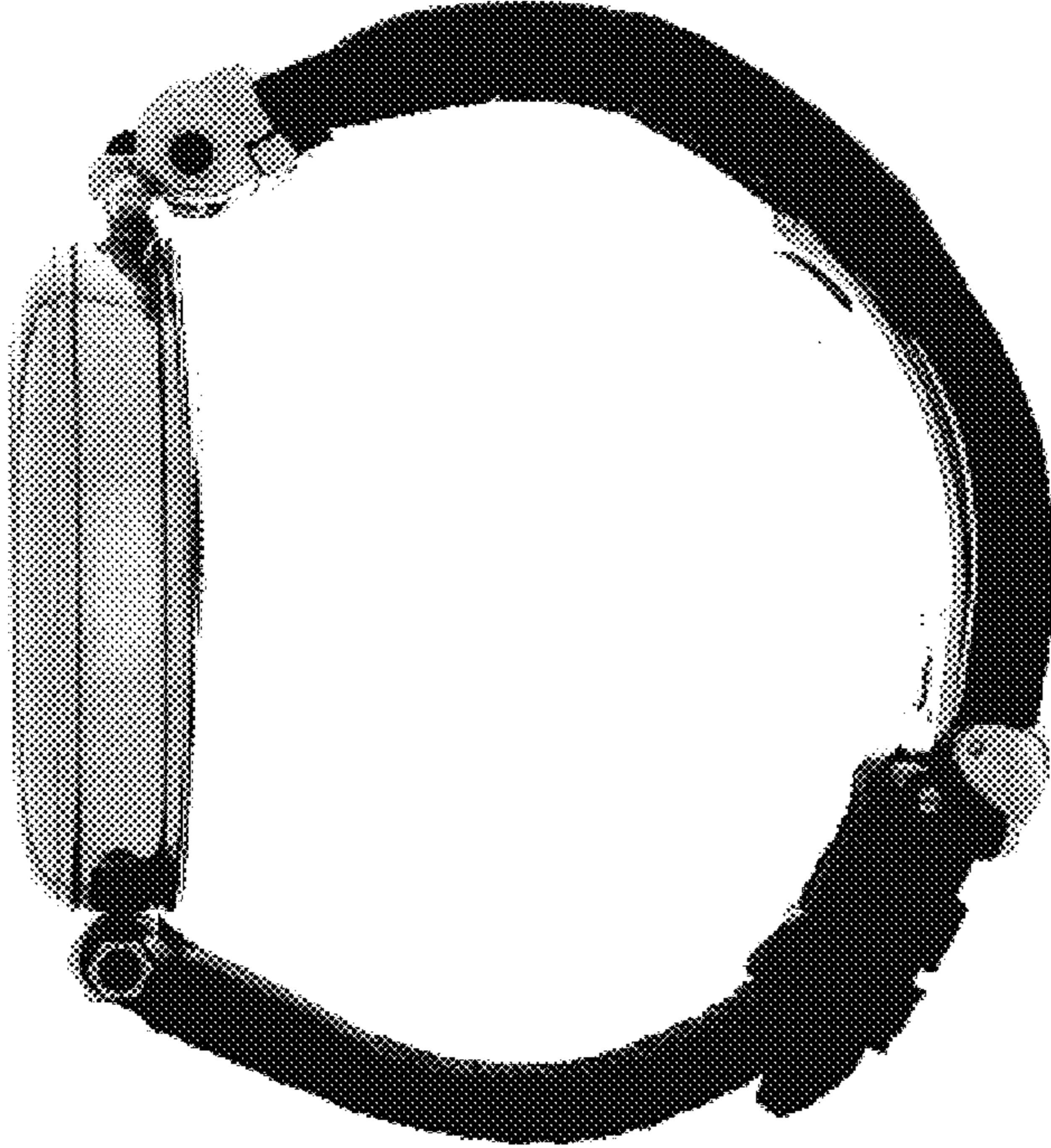


FIG. 7

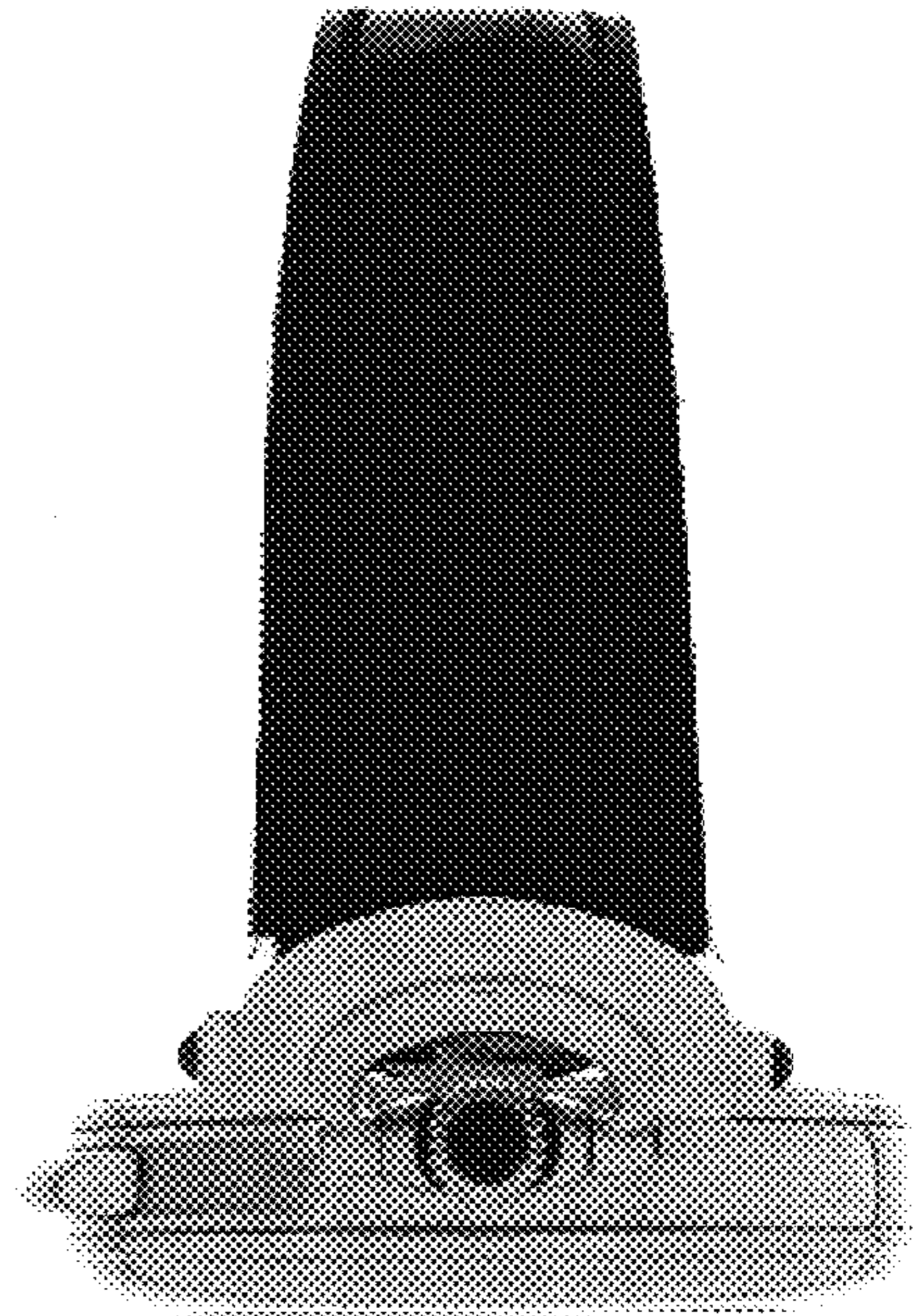


FIG. 6

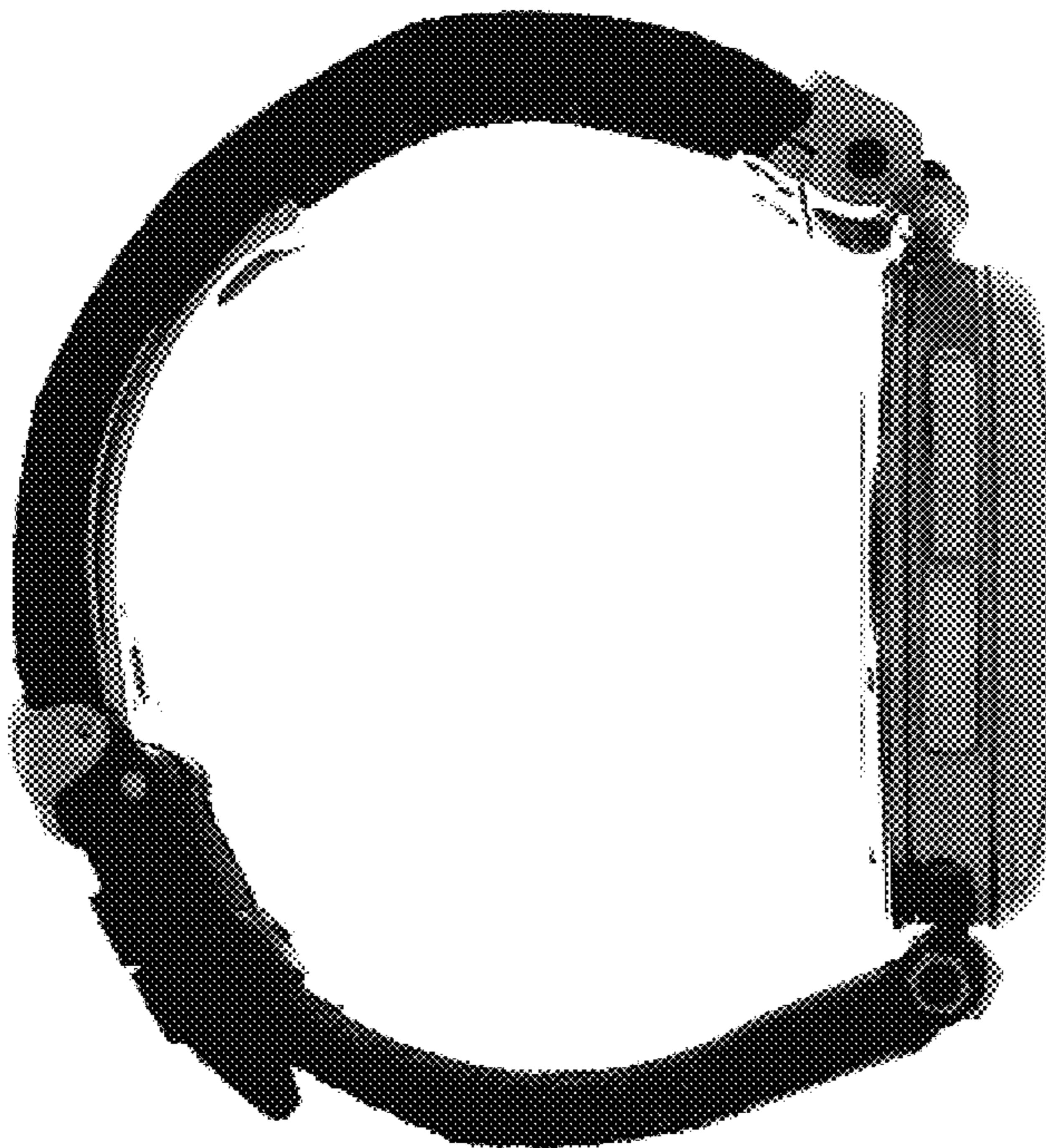


FIG. 8

