



US00D530622S

(12) **United States Design Patent**
Geiberger

(10) **Patent No.:** **US D530,622 S**

(45) **Date of Patent:** **** Oct. 24, 2006**

(54) **DISPENSER**

(75) Inventor: **Christoph Geiberger**, Königswinter
(DE)

(73) Assignee: **GlaxoSmithKline Consumer
Healthcare GmbH & Co. KG**, Buehl
(DE)

(**) Term: **14 Years**

(21) Appl. No.: **29/225,010**

(22) Filed: **Mar. 9, 2005**

(30) **Foreign Application Priority Data**

Sep. 15, 2004 (GB) 3018743

(51) **LOC (8) Cl.** **09-01**

(52) **U.S. Cl.** **D9/688**

(58) **Field of Classification Search** D9/688,
D9/500, 506, 529, 686, 690; 222/145.3, 209,
222/327

See application file for complete search history.

(56) **References Cited**

U.S. PATENT DOCUMENTS

D188,142 S * 6/1960 Sinel D9/686
D228,625 S * 10/1973 Pearce D9/500
4,936,493 A * 6/1990 Foster et al. 222/209

D316,959 S * 5/1991 Battezzore D9/689
D319,967 S * 9/1991 Battezzore D9/689
5,104,009 A * 4/1992 Battezzore 222/209
5,271,534 A * 12/1993 Fillmore et al. 222/380
D379,429 S * 5/1997 Weiss et al. D9/688
6,095,378 A * 8/2000 Potts et al. 222/402.1
D492,599 S * 7/2004 Enoki et al. D9/500

* cited by examiner

Primary Examiner—Stella Reid
Assistant Examiner—Rashida C. McCoy

(74) *Attorney, Agent, or Firm*—Nora Stein-Fernandez;
Theodore R. Furman

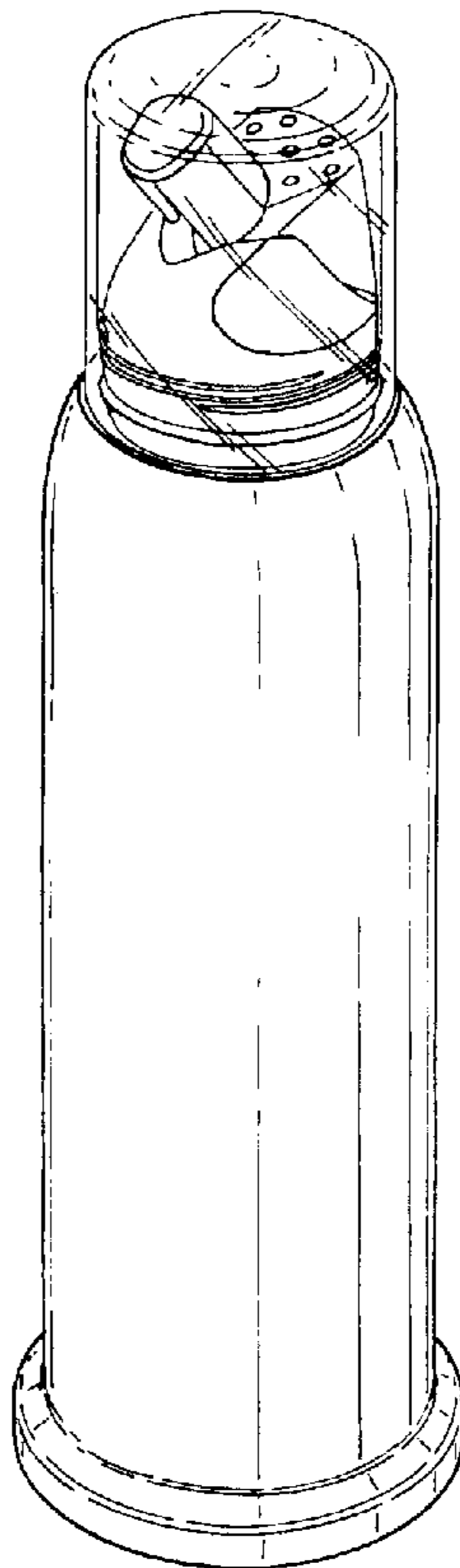
(57) **CLAIM**

I claim the ornamental design for a dispenser, as shown and described.

DESCRIPTION

FIG. 1 is a top, front, side perspective view of a dispenser showing my new design;
FIG. 2 is a front view;
FIG. 3 is a rear view;
FIG. 4 is a plan view;
FIG. 5 is an underneath plan view;
FIG. 6 is a side view; and,
FIG. 7 is a view of the other side.

1 Claim, 3 Drawing Sheets



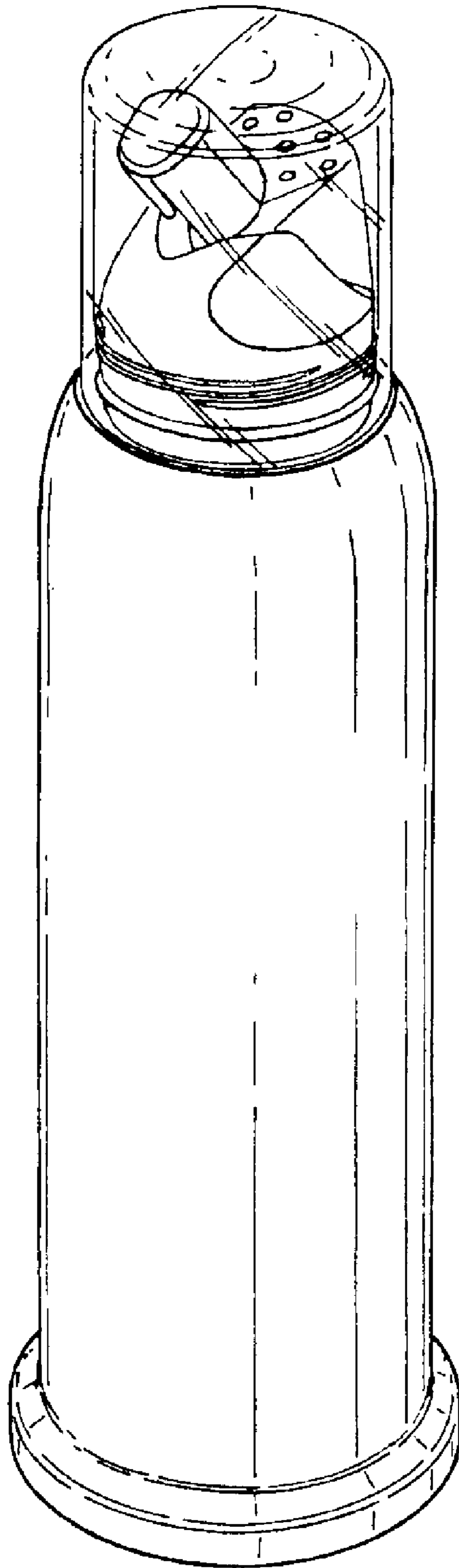


Fig. 1.

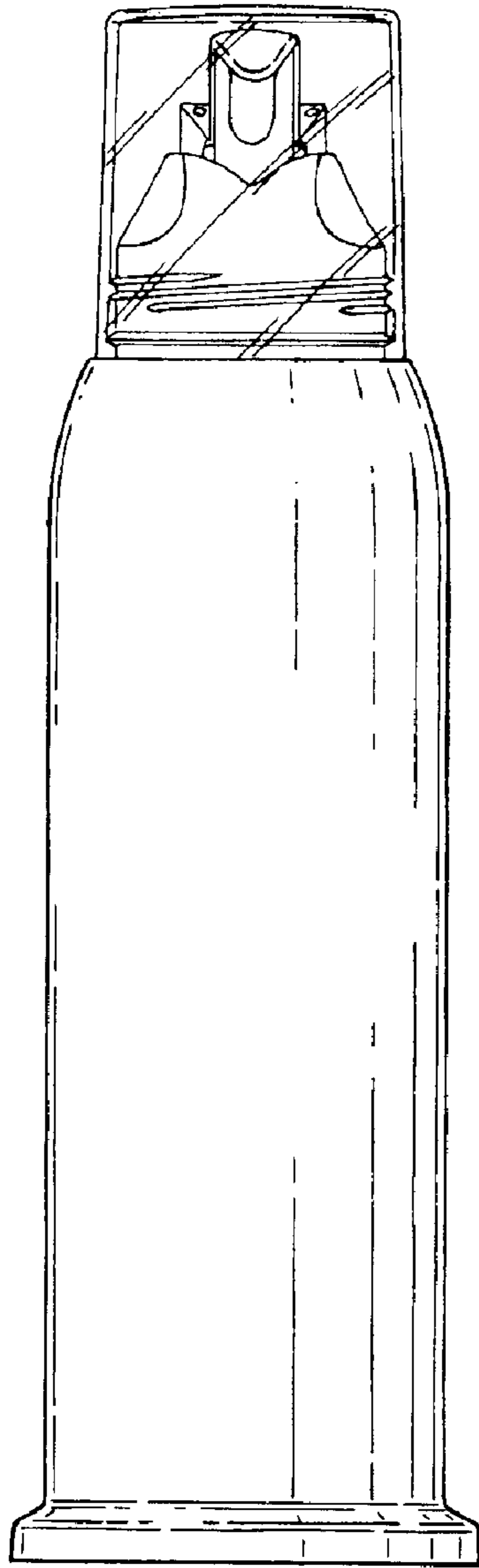


Fig.2.

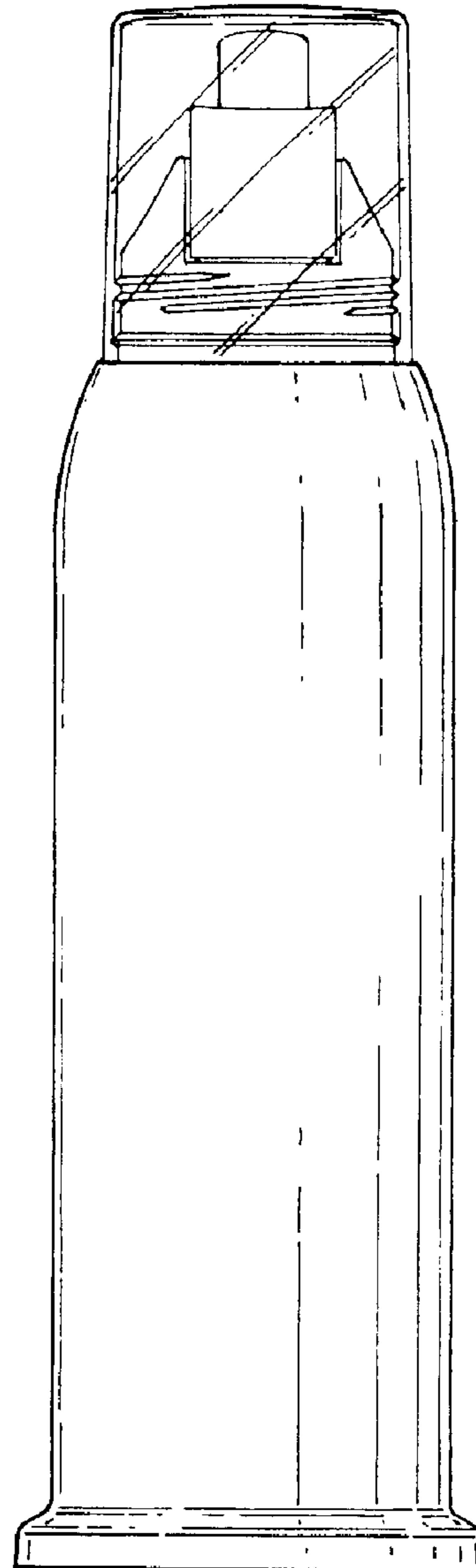


Fig.3.

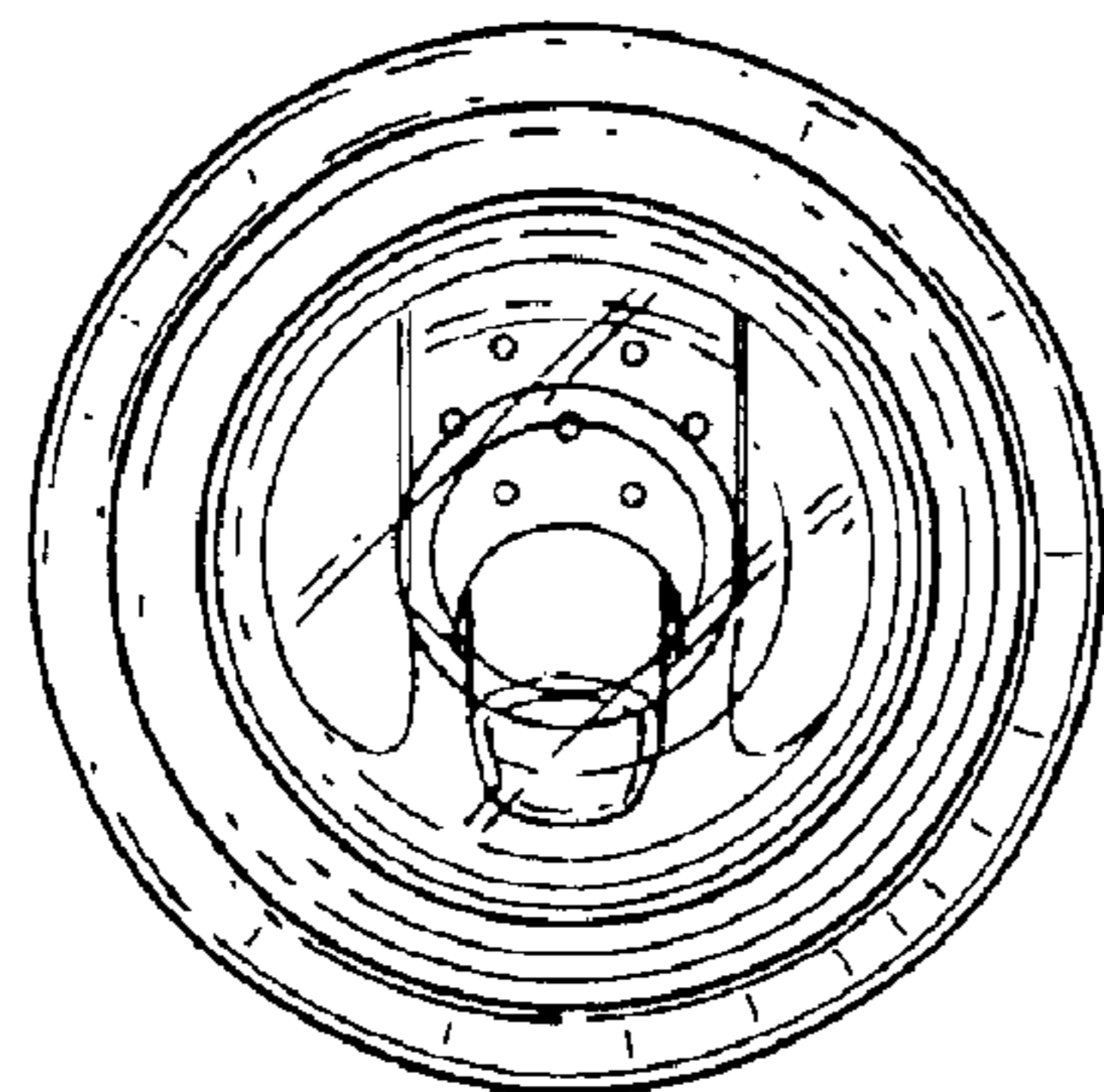


Fig.4.

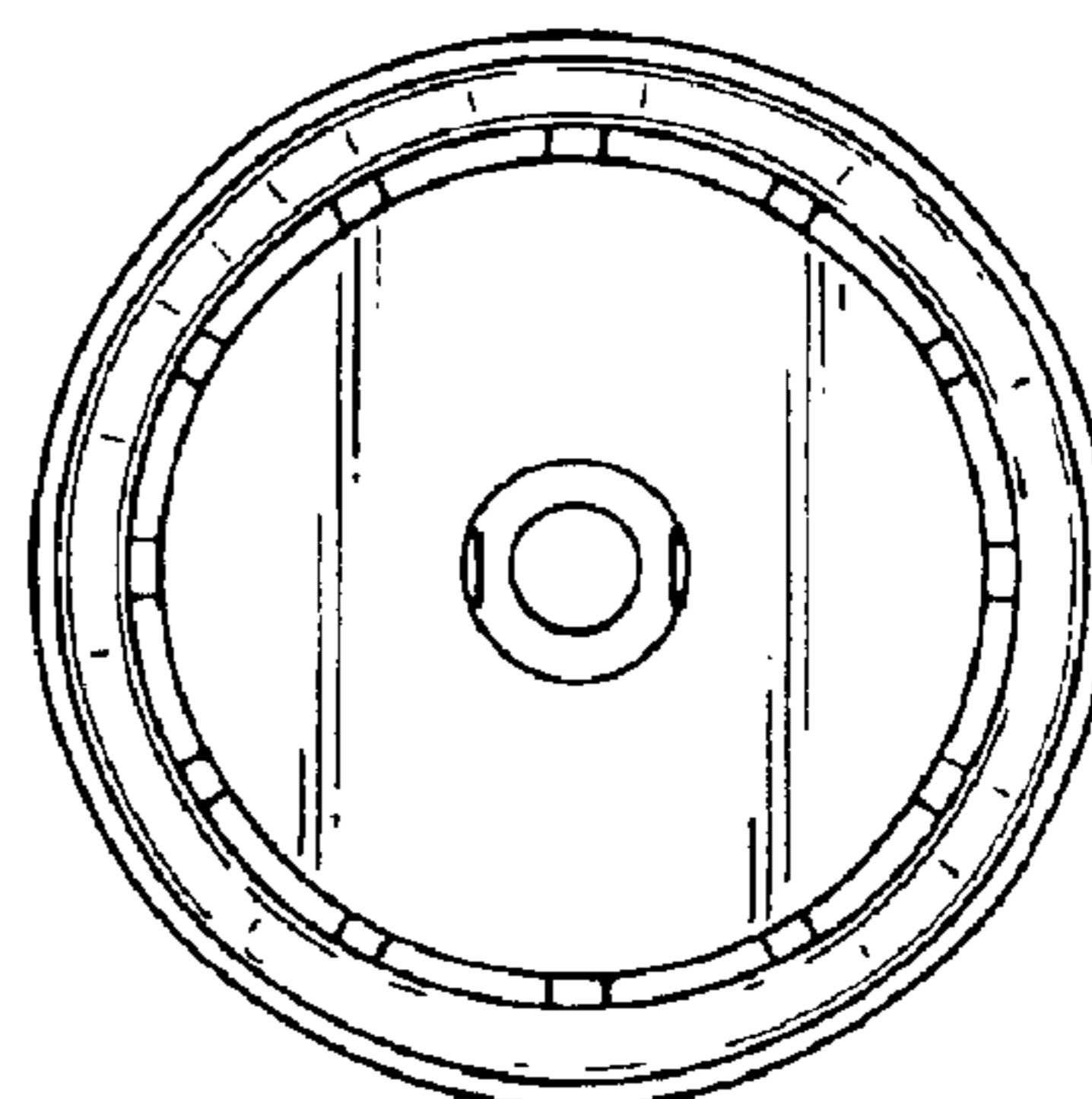


Fig.5.

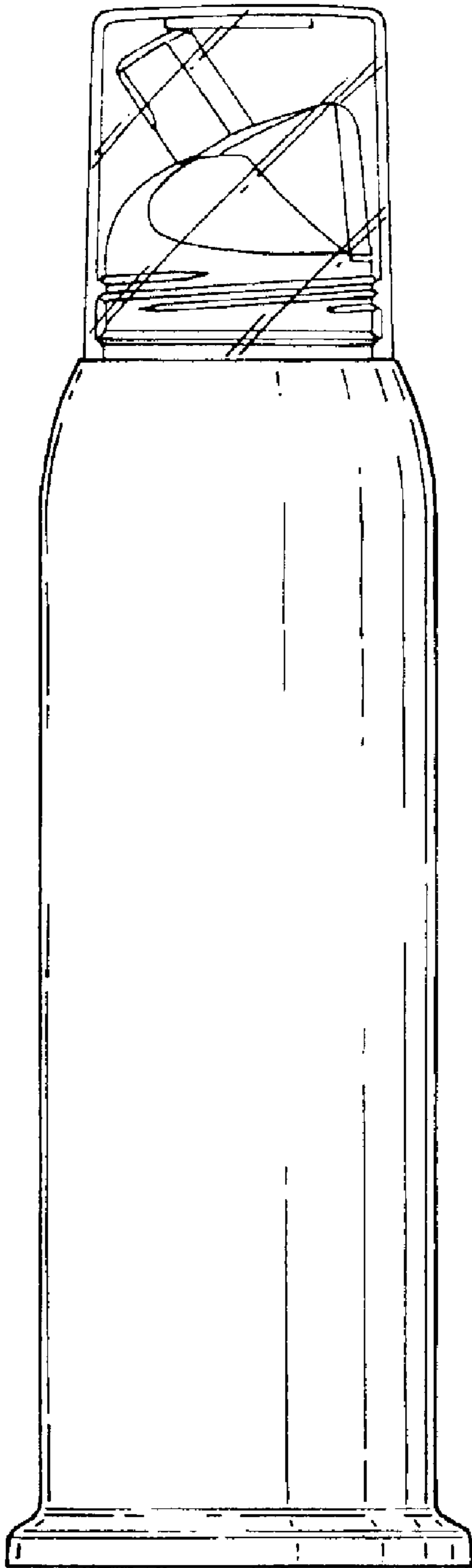


Fig.6.

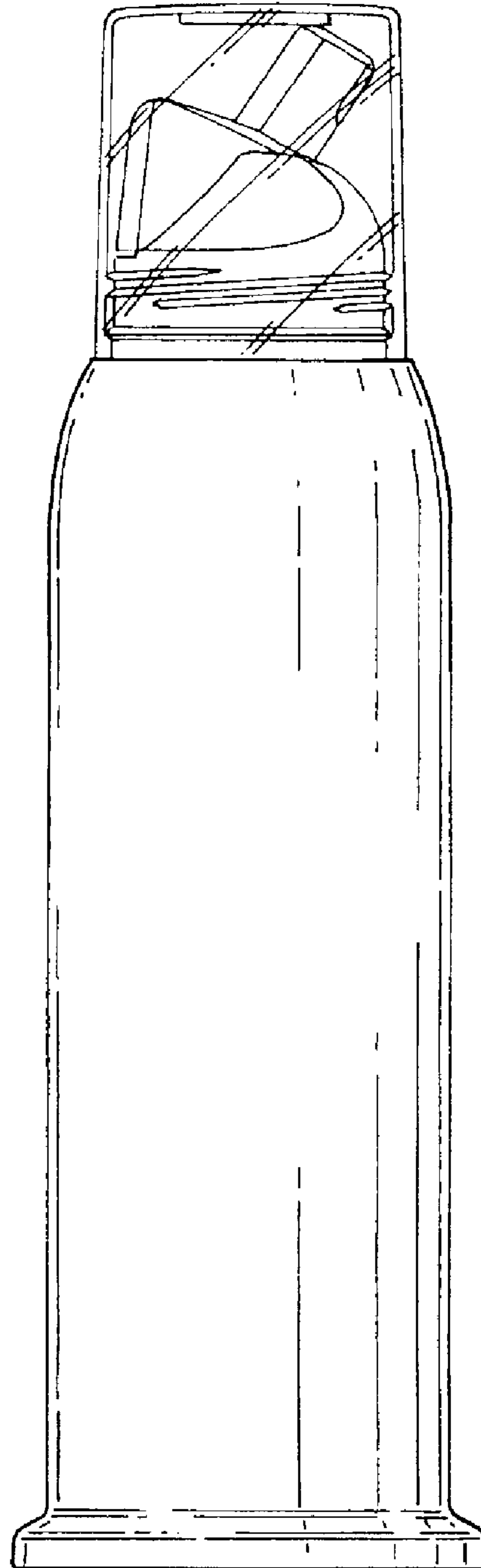


Fig.7.