



US00D530617S

(12) **United States Design Patent**  
**Little et al.**

(10) **Patent No.:** **US D530,617 S**  
(45) **Date of Patent:** **\*\* Oct. 24, 2006**

(54) **CONTAINER**

(75) Inventors: **J. Steven Little**, Wadsworth, OH (US);  
**James J. Miller**, Barberton, OH (US)

(73) Assignee: **Plastipak Packaging, Inc.**, Plymouth,  
MI (US)

(\*\*) Term: **14 Years**

(21) Appl. No.: **29/217,522**

(22) Filed: **Nov. 18, 2004**

(51) **LOC (8) Cl.** ..... **09-01**

(52) **U.S. Cl.** ..... **D9/543**

(58) **Field of Classification Search** ..... D9/434,  
D9/516, 523, 528, 530-531, 534-535, 537-543,  
D9/558, 570, 574-575; D7/300.1, 312, 318,  
D7/321, 510-511, 533, 535, 537-538, 521,  
D7/543, 612-615, 619.1, 622, 629; 215/381-385,  
215/396, 398; 220/669, 752, 771

See application file for complete search history.

(56) **References Cited**

**U.S. PATENT DOCUMENTS**

D89,681 S \* 4/1933 Crimmel et al. .... D9/544  
D209,018 S \* 10/1967 Holtz ..... D9/543  
D269,948 S \* 8/1983 Janssen ..... D9/523  
D284,728 S \* 7/1986 Trivison ..... D7/629  
D350,876 S \* 9/1994 VanValkenburg et al. .... D7/612  
D369,755 S \* 5/1996 Burcham et al. .... D7/612  
D370,850 S \* 6/1996 Beaver ..... D9/543

D389,067 S \* 1/1998 Lown ..... D9/543  
5,823,345 A \* 10/1998 Nask et al. .... 222/143  
D413,200 S \* 8/1999 Baker ..... D3/23  
D462,012 S \* 8/2002 Manderfield, Jr. .... D9/530  
D473,142 S \* 4/2003 Beaver ..... D9/530  
D476,898 S \* 7/2003 Schuller et al. .... D9/537  
D480,007 S \* 9/2003 Mungur et al. .... D9/538  
D500,679 S \* 1/2005 Walsh et al. .... D9/543  
D500,953 S \* 1/2005 Nottingham et al. .... D9/528

\* cited by examiner

*Primary Examiner*—Ian Simmons

*Assistant Examiner*—Dana Sipos

(74) *Attorney, Agent, or Firm*—Robert H. Bachman

(57) **CLAIM**

The ornamental design for a container, as shown and described.

**DESCRIPTION**

FIG. 1 is a right side elevational view of the container of the present invention;

FIG. 2 is a front elevational view thereof, shown at an enlarged scale;

FIG. 3 is a rear elevational view thereof;

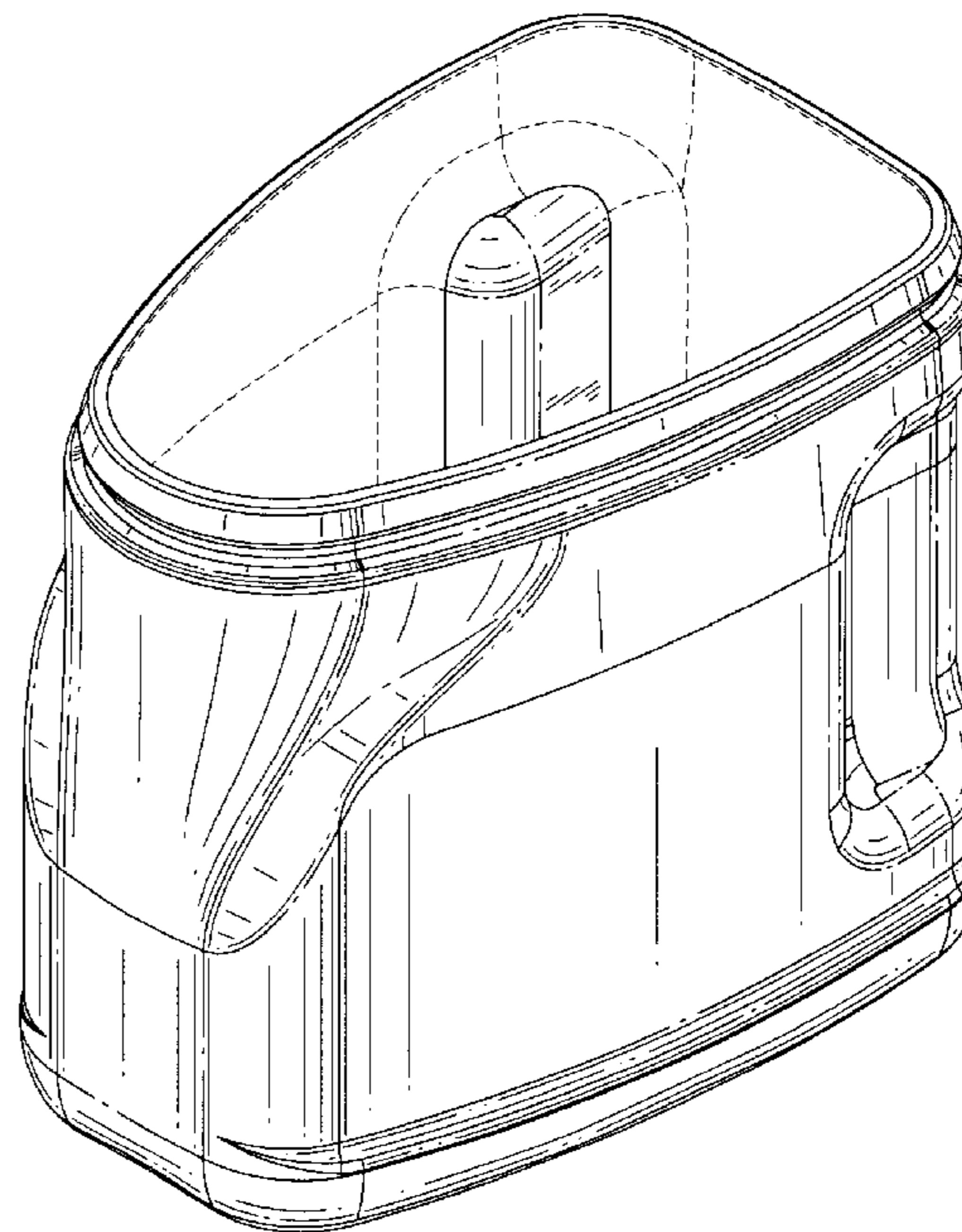
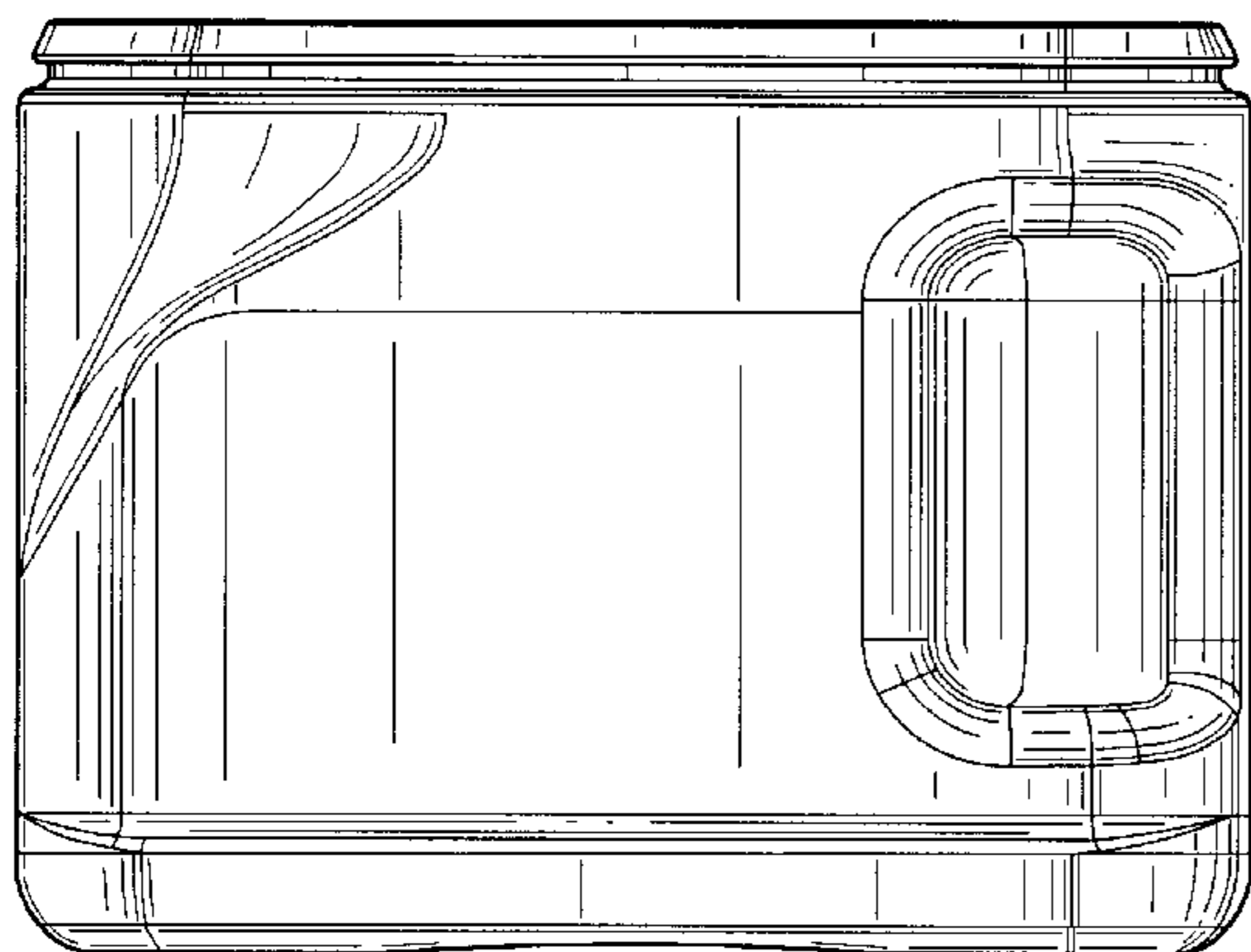
FIG. 4 is a top plan view thereof;

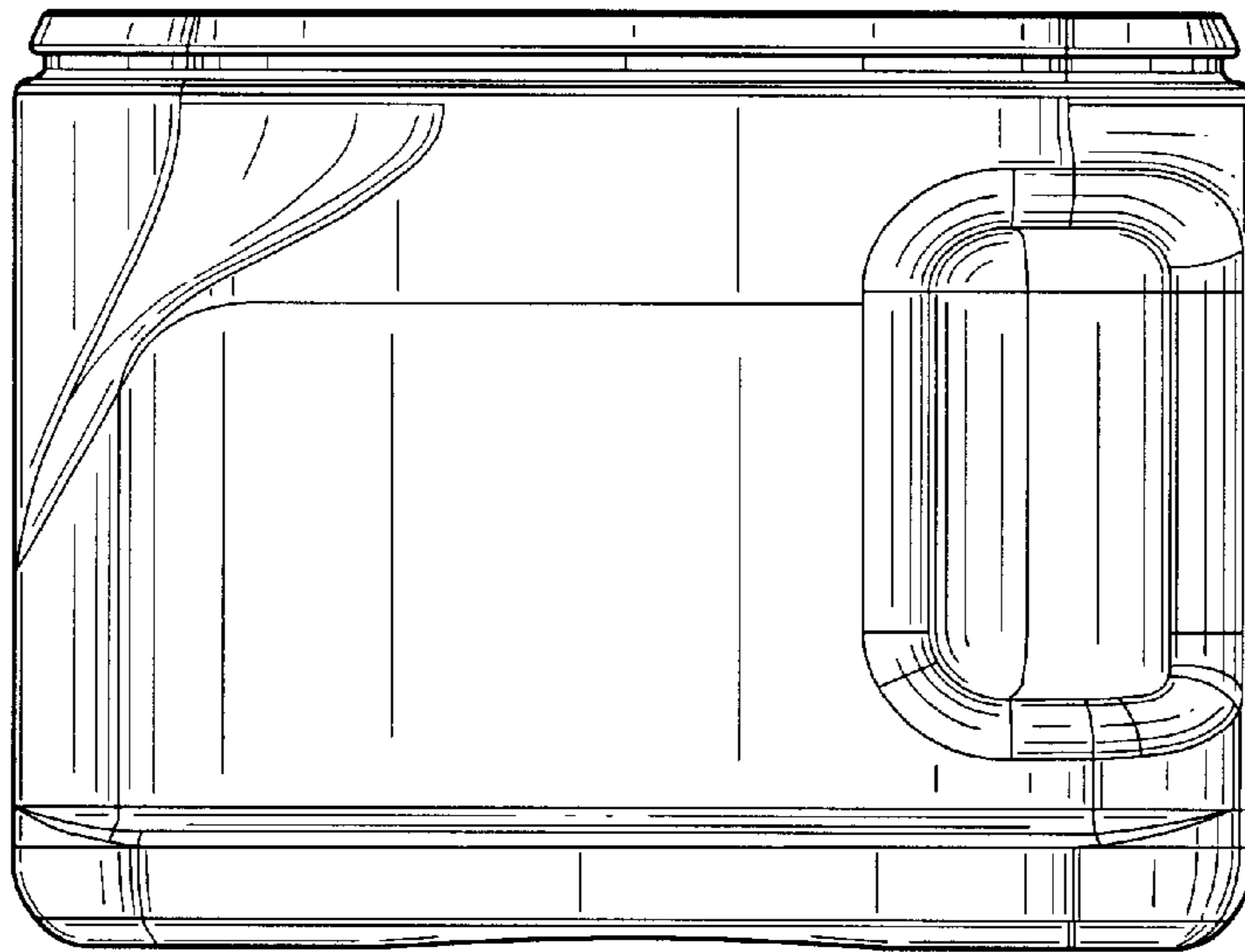
FIG. 5 is a bottom plan view thereof; and,

FIG. 6 is a perspective view thereof showing the top, front and right side.

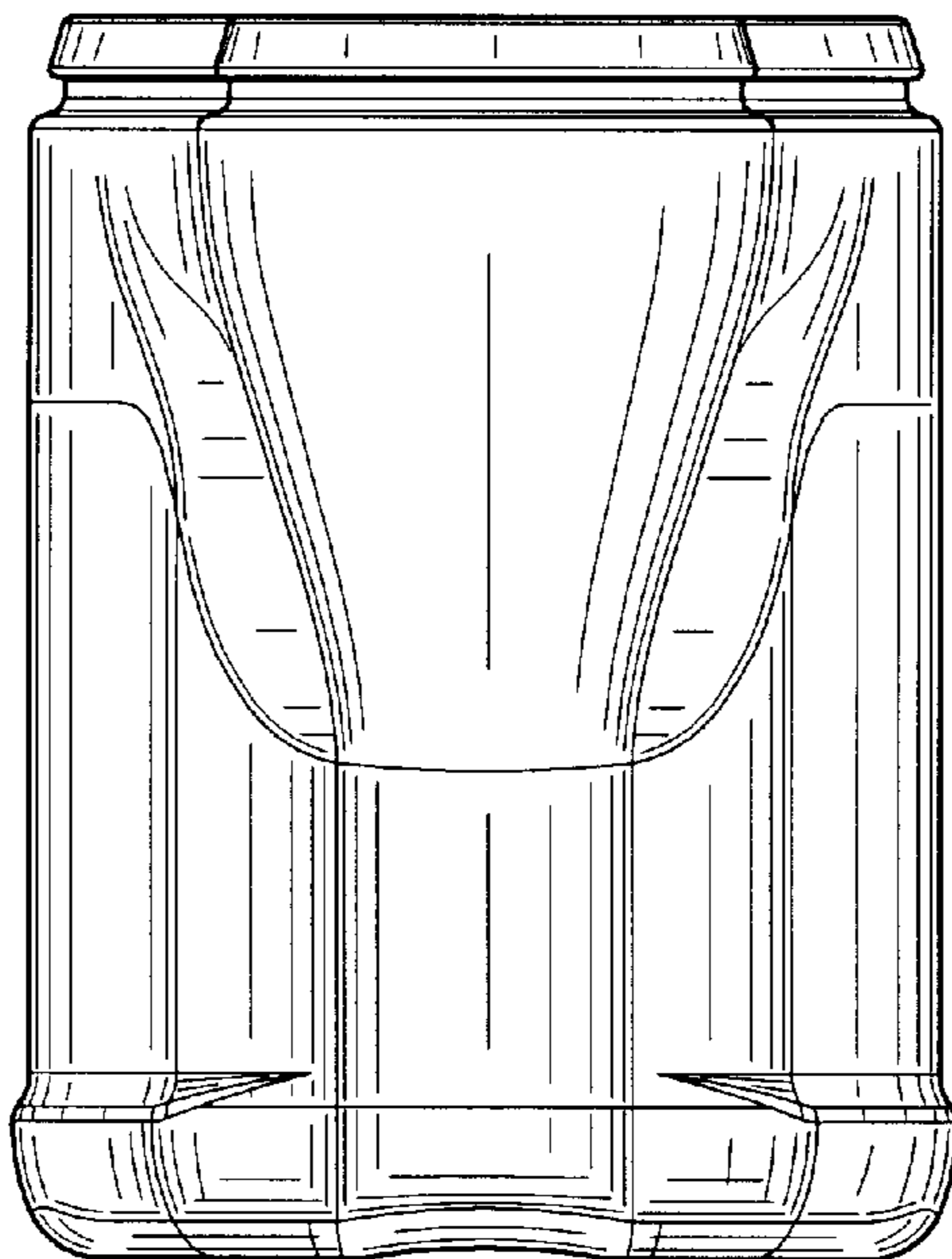
The broken lines in the drawings are for illustrative purposes only and form no part of the claimed design.

**1 Claim, 3 Drawing Sheets**

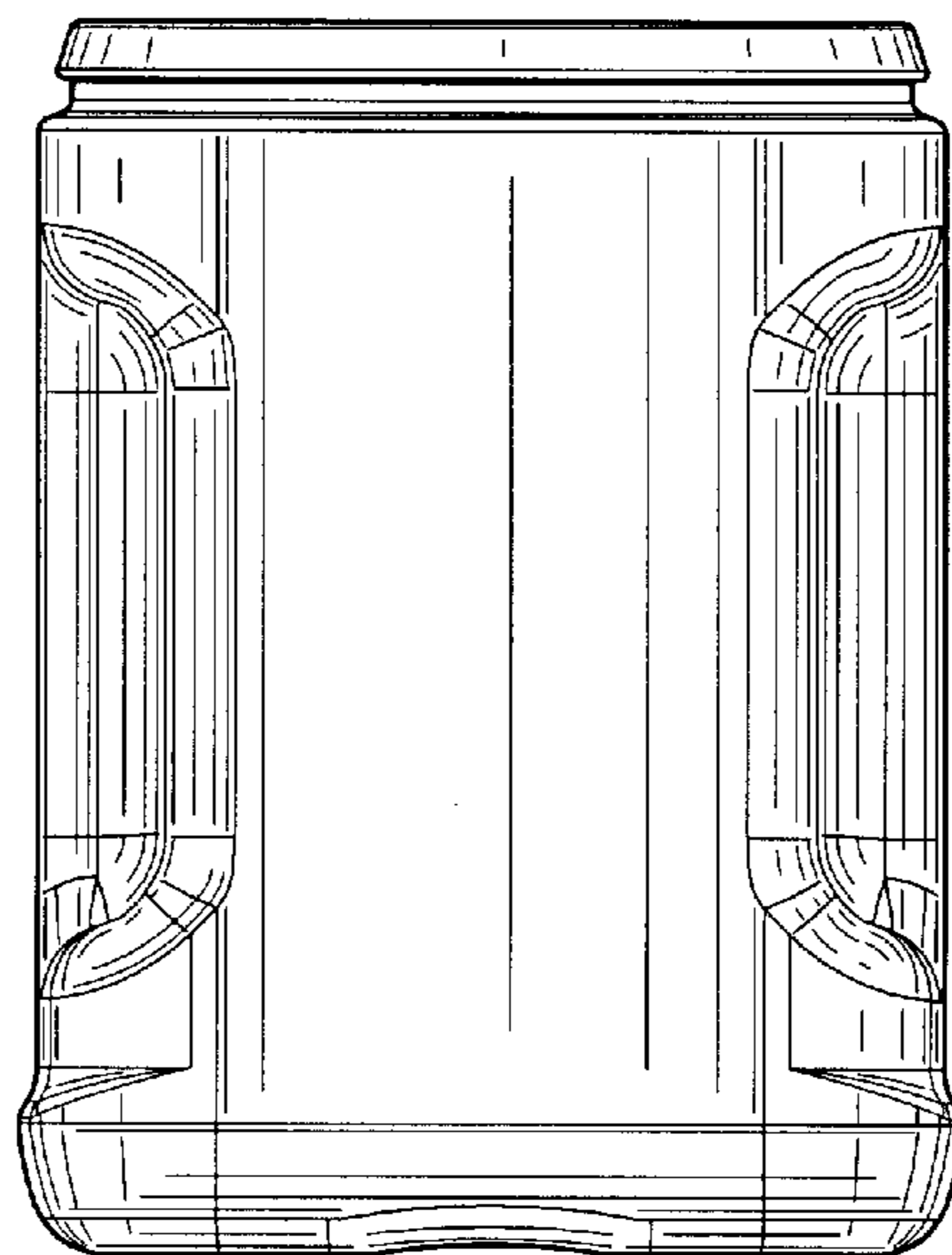




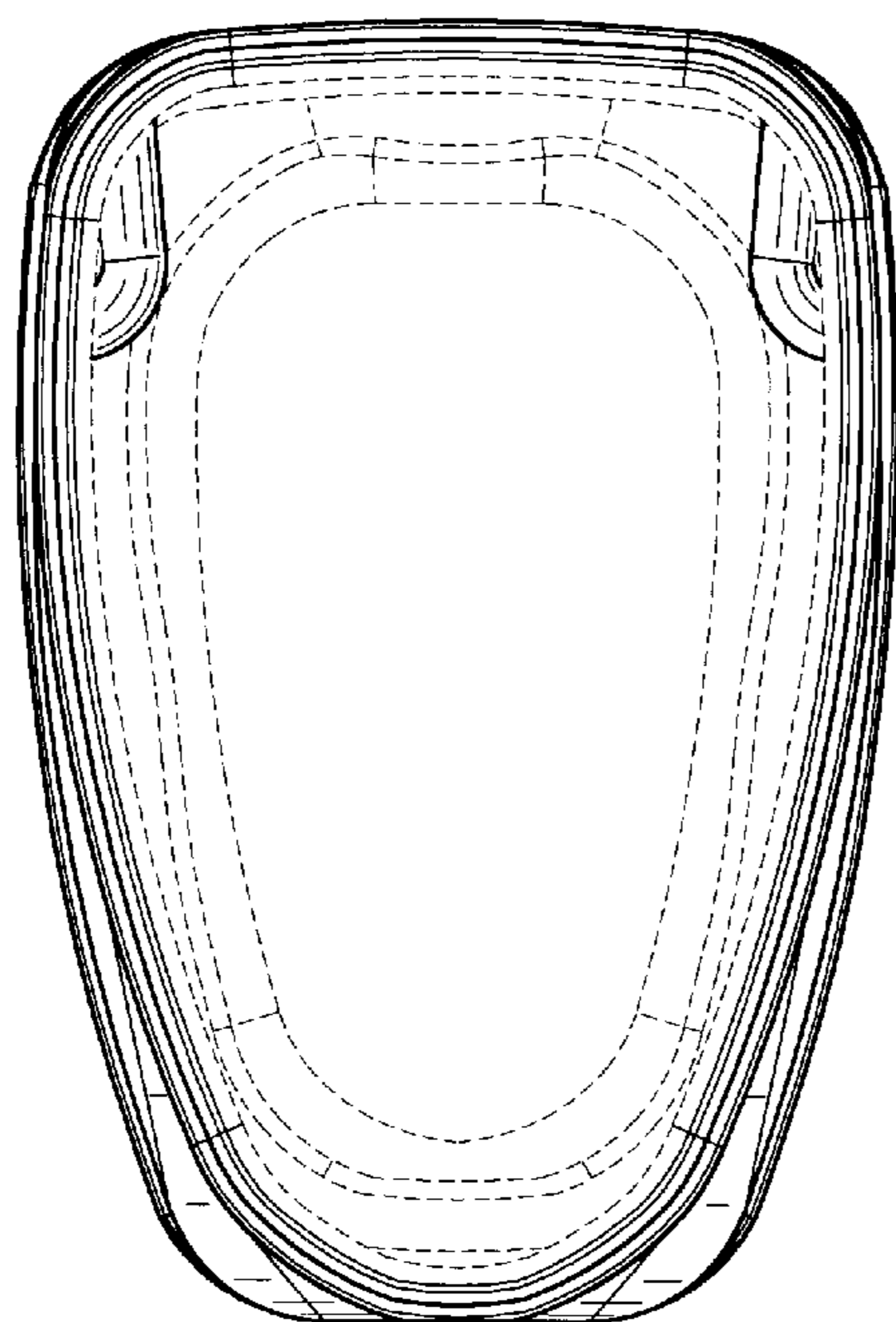
*FIG. 1*



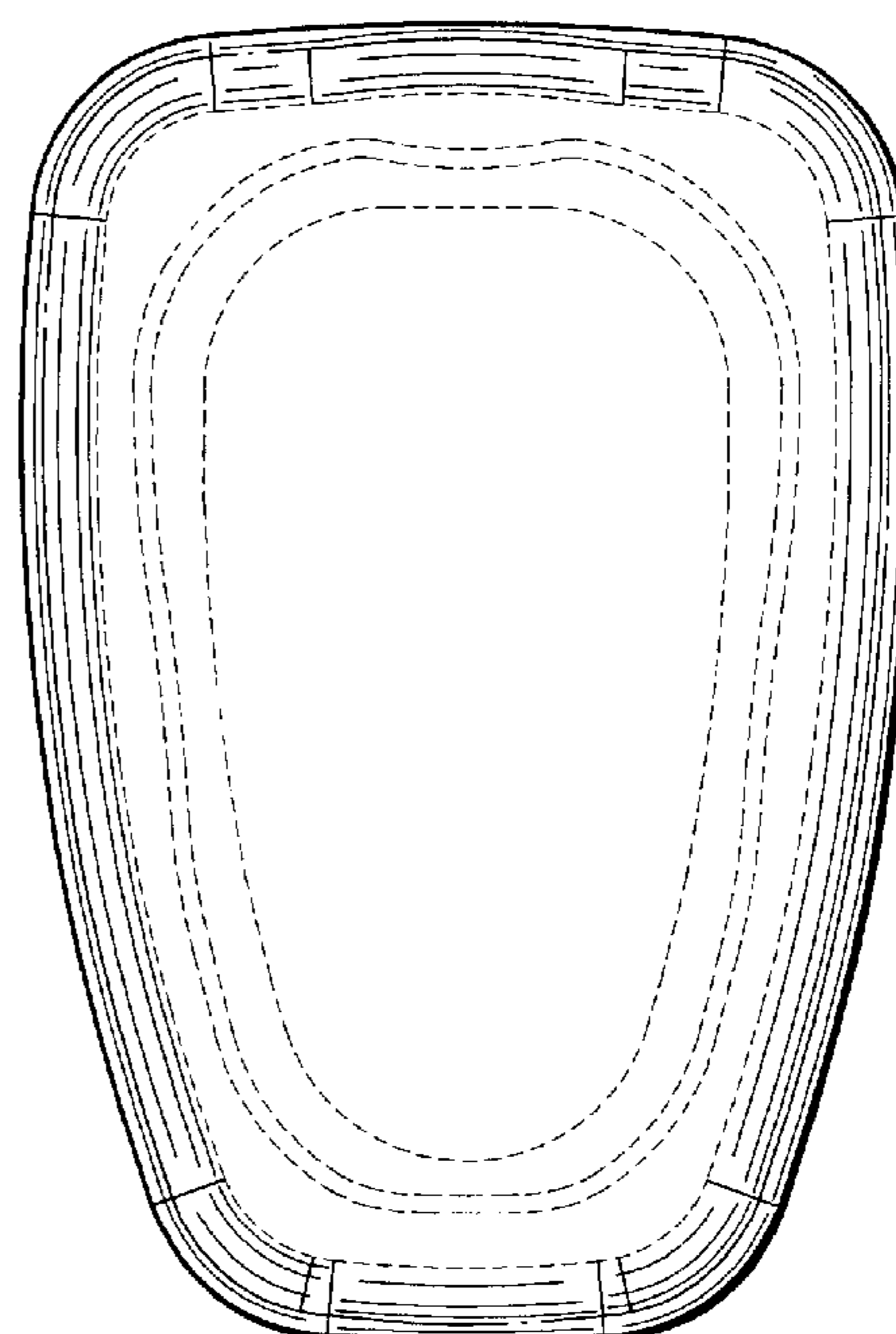
*FIG. 2*



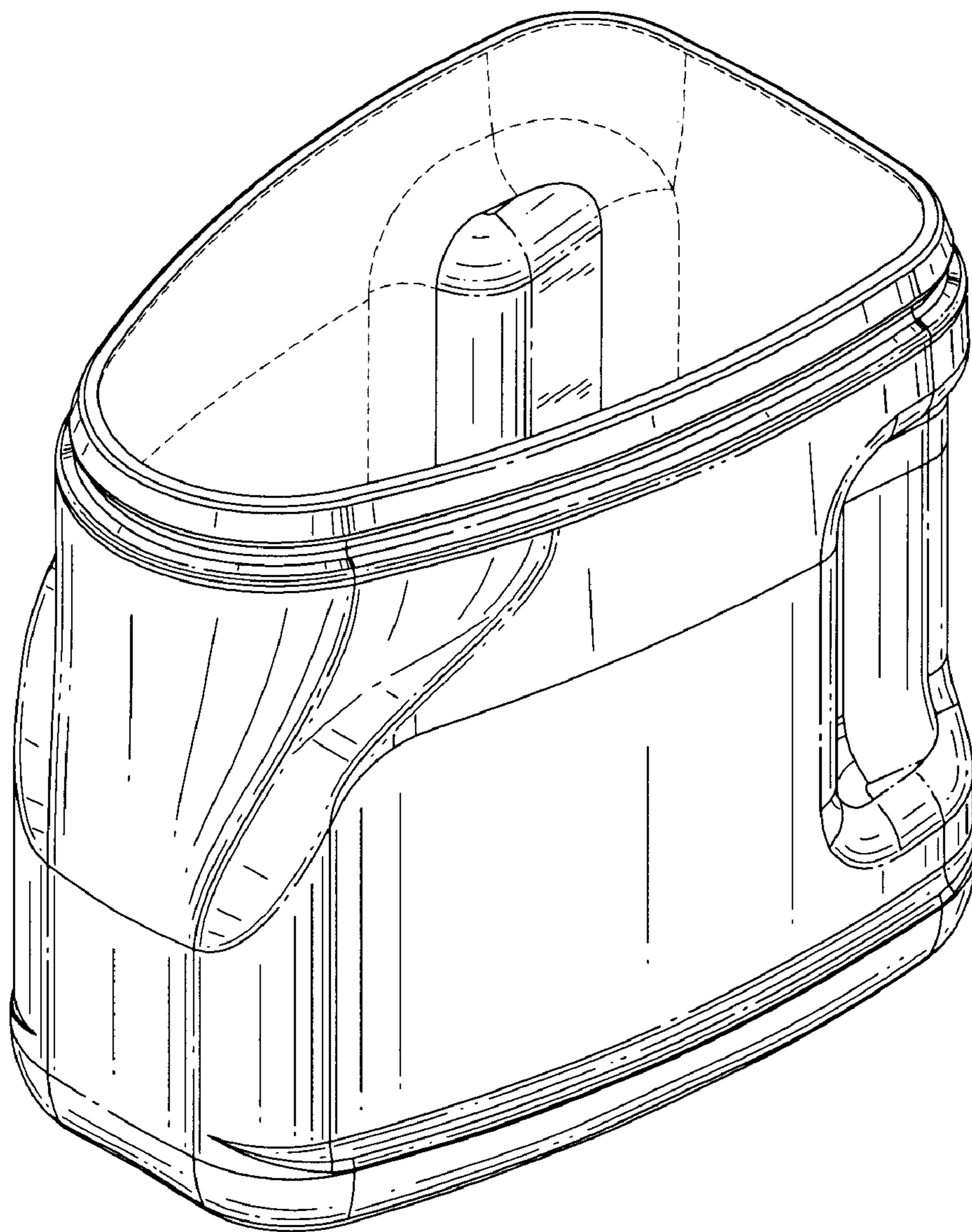
*FIG. 3*



*FIG. 4*



*FIG. 5*



*FIG. 6*