



US00D530612S

(12) **United States Design Patent** (10) **Patent No.:** **US D530,612 S**
Lohrman et al. (45) **Date of Patent:** **** Oct. 24, 2006**

(54) **CONTAINER CLOSURE**
(75) Inventors: **Richard D. Lohrman**, North Aurora, IL (US); **Mike Xiaoli Ma**, San Jose, CA (US)
(73) Assignee: **Portola Packaging, Inc.**, Batavia, IL (US)
(**) Term: **14 Years**

D337,697 S 7/1993 Giugiaro
D369,748 S 5/1996 Zemlo et al.
D370,631 S 6/1996 Zemlo et al.
D371,074 S 6/1996 Zemlo et al.
D375,264 S * 11/1996 Galarza et al. D9/453
D378,803 S * 4/1997 Bolen et al. D9/449
5,853,097 A * 12/1998 Ekkert 215/295
D405,695 S 2/1999 Zelmo
D408,284 S 4/1999 Ekkert et al.
D409,089 S * 5/1999 Nguyen D9/452
D409,491 S 5/1999 Ullrich et al.
5,950,849 A 9/1999 Ekkert et al.
5,967,351 A 10/1999 Ekkert
6,783,014 B1 8/2004 Luker

(21) Appl. No.: **29/240,008**
(22) Filed: **Oct. 4, 2005**

(51) **LOC (8) Cl.** **09-07**
(52) **U.S. Cl.** **D9/453**
(58) **Field of Classification Search** D9/453,
D9/452, 449, 447, 446, 443, 436, 435; D8/312,
D8/310; D7/510, 507, 396.2, 393, 392.1,
D7/305; D23/250; D13/174; 220/296; 215/318,
215/256, 252, 219; 206/385

FOREIGN PATENT DOCUMENTS

GB 1361180 7/1974

OTHER PUBLICATIONS

US 5,853,007, 12/1998, Ekkert (withdrawn)

* cited by examiner

Primary Examiner—Robert M. Spear
Assistant Examiner—Susan Bennett Hattan
(74) *Attorney, Agent, or Firm*—Dorsey & Whitney LLP

See application file for complete search history.

(56) **References Cited**

U.S. PATENT DOCUMENTS

D24,862 S * 11/1895 Abbott D9/453
D30,766 S 5/1899 Lindemeyr
D34,169 S 3/1901 Bertels
D44,163 S 6/1913 Baxler et al.
D49,120 S 5/1916 Hoffman
D59,597 S 11/1921 Hyatt
D112,464 S 12/1938 Lewis
D145,011 S 6/1946 Derham
D153,956 S 5/1949 Lay
D155,298 S 9/1949 LaFalce
D160,448 S 10/1950 Waite
D202,827 S 11/1965 Elkner
D233,138 S 10/1974 Vogel
D250,467 S 12/1978 O'Banlon
D253,289 S 10/1979 Kato
D279,596 S 7/1985 Rademacher
4,568,006 A 2/1986 Mueller et al.
D290,323 S 6/1987 Weernink

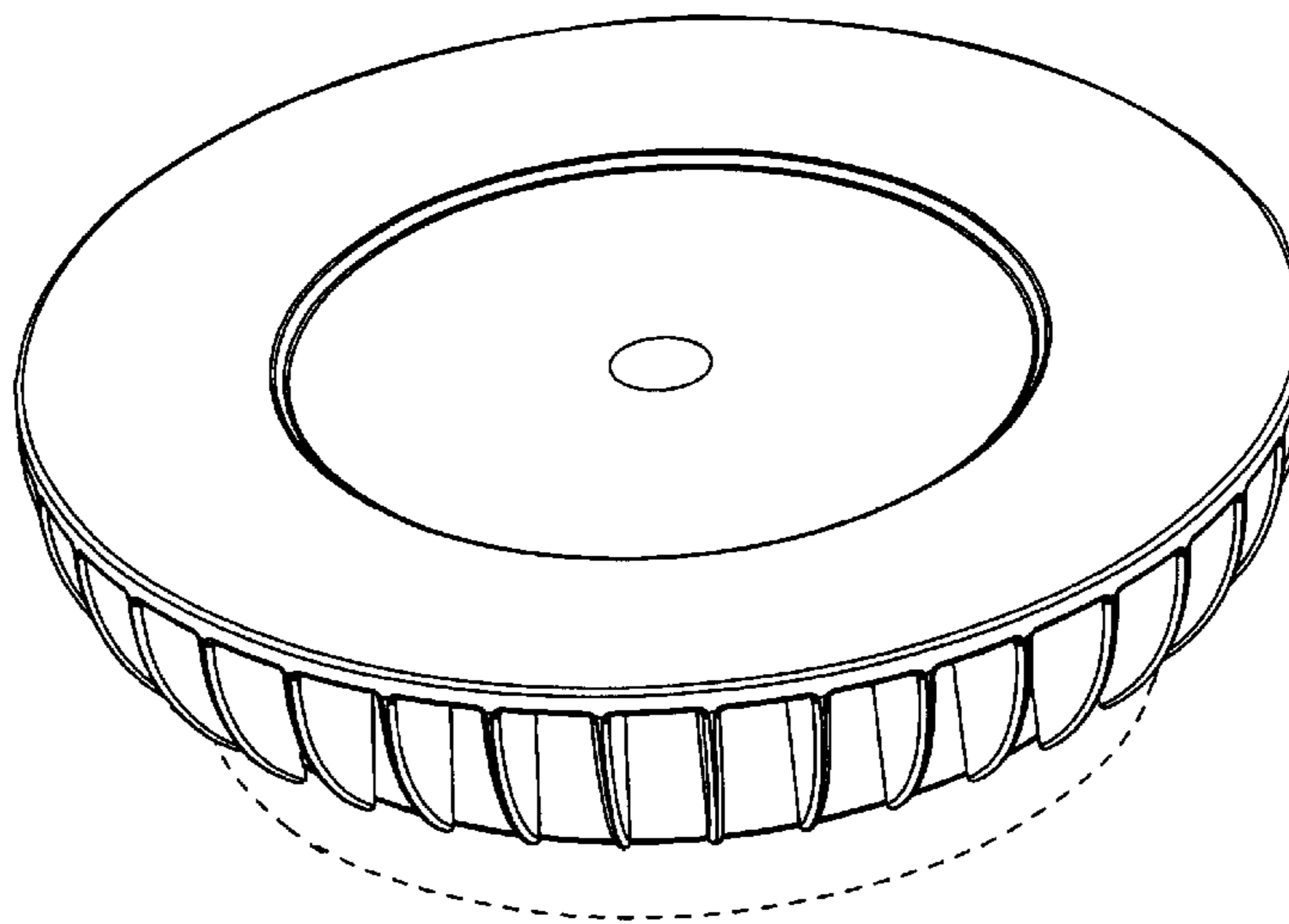
(57) **CLAIM**

The ornamental design for a container closure, as shown and described.

DESCRIPTION

FIG. 1 is an upper perspective view of a container closure showing our new design;
FIG. 2 is a lower perspective view thereof;
FIG. 3 is a top plan view thereof;
FIG. 4 is a bottom plan view thereof; and,
FIG. 5 is a front elevational view thereof, with the rear, left and right views being identical.
The broken lines showing of a tamper-evidencing band, internal threads and other internal structure is for illustrative purposes only and forms no part of the claimed design.

1 Claim, 3 Drawing Sheets



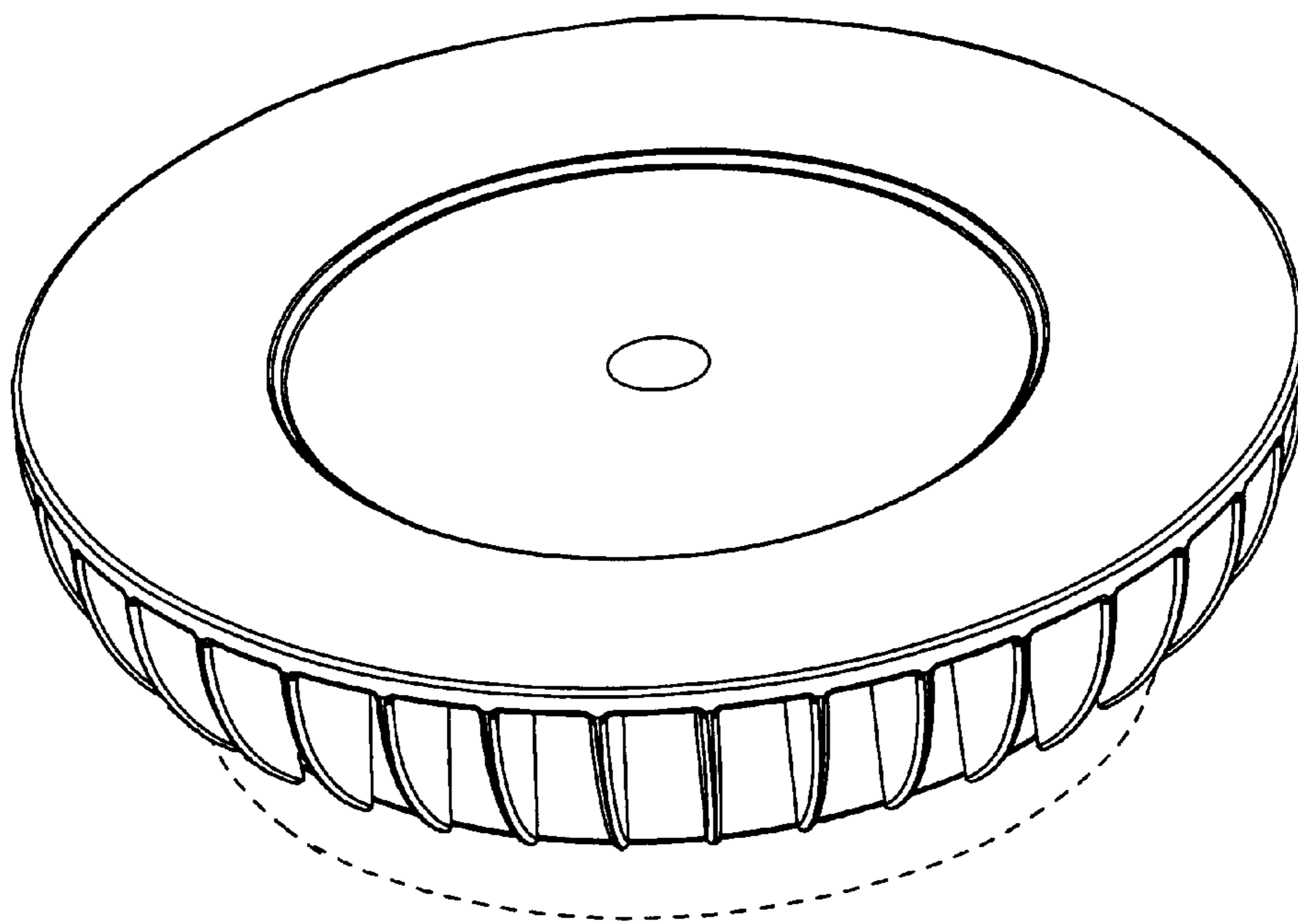


FIG. 1

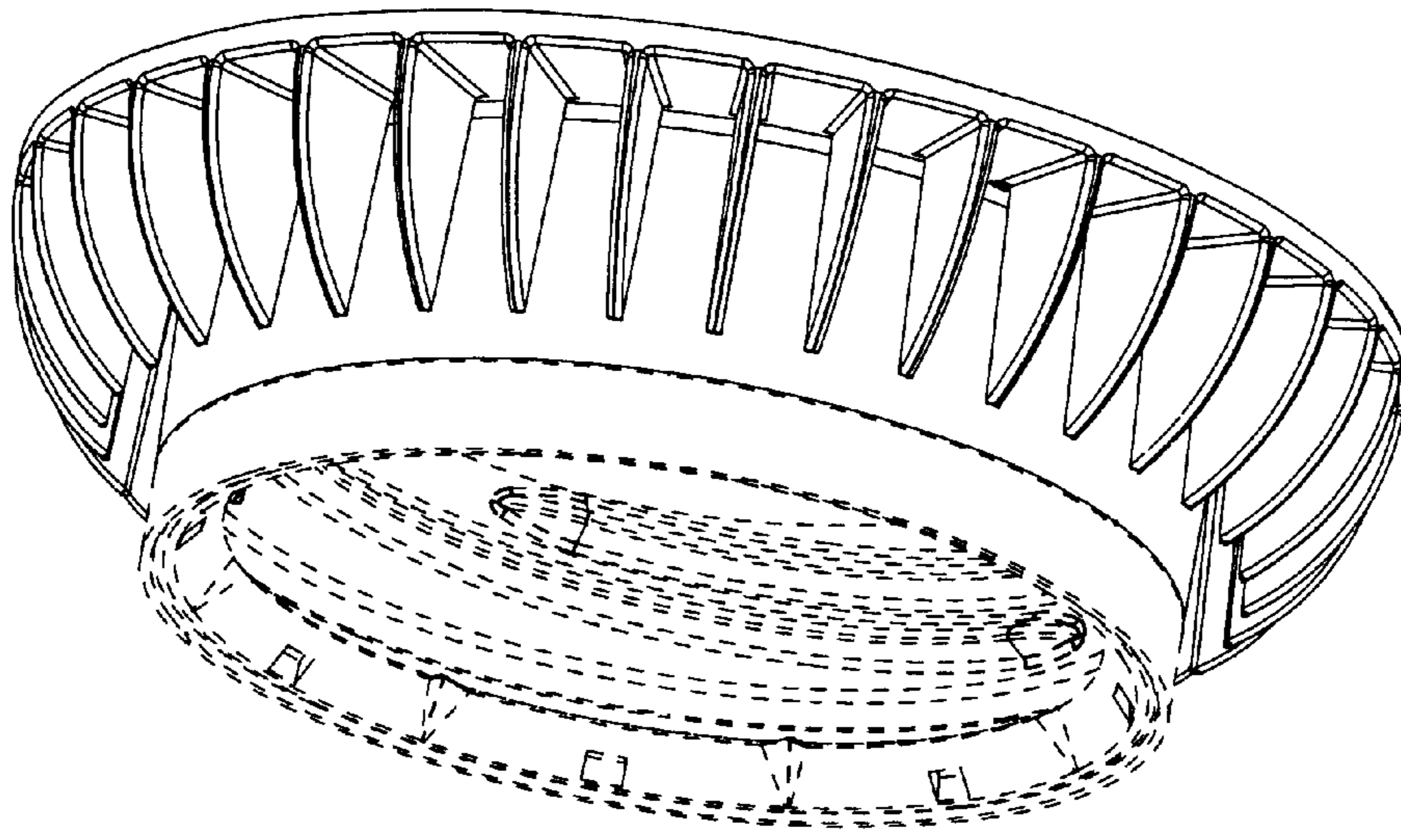


FIG. 2

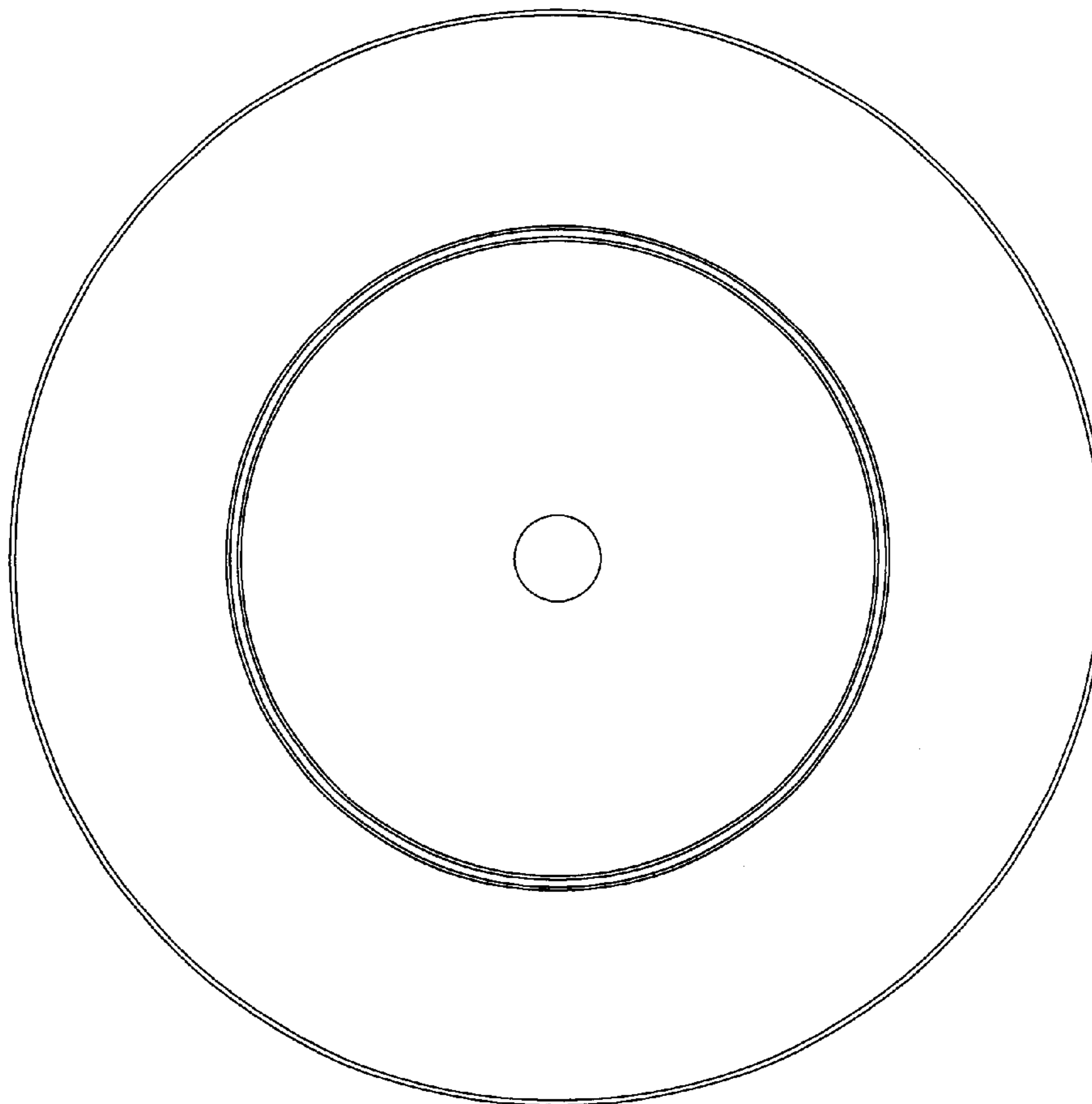


FIG. 3

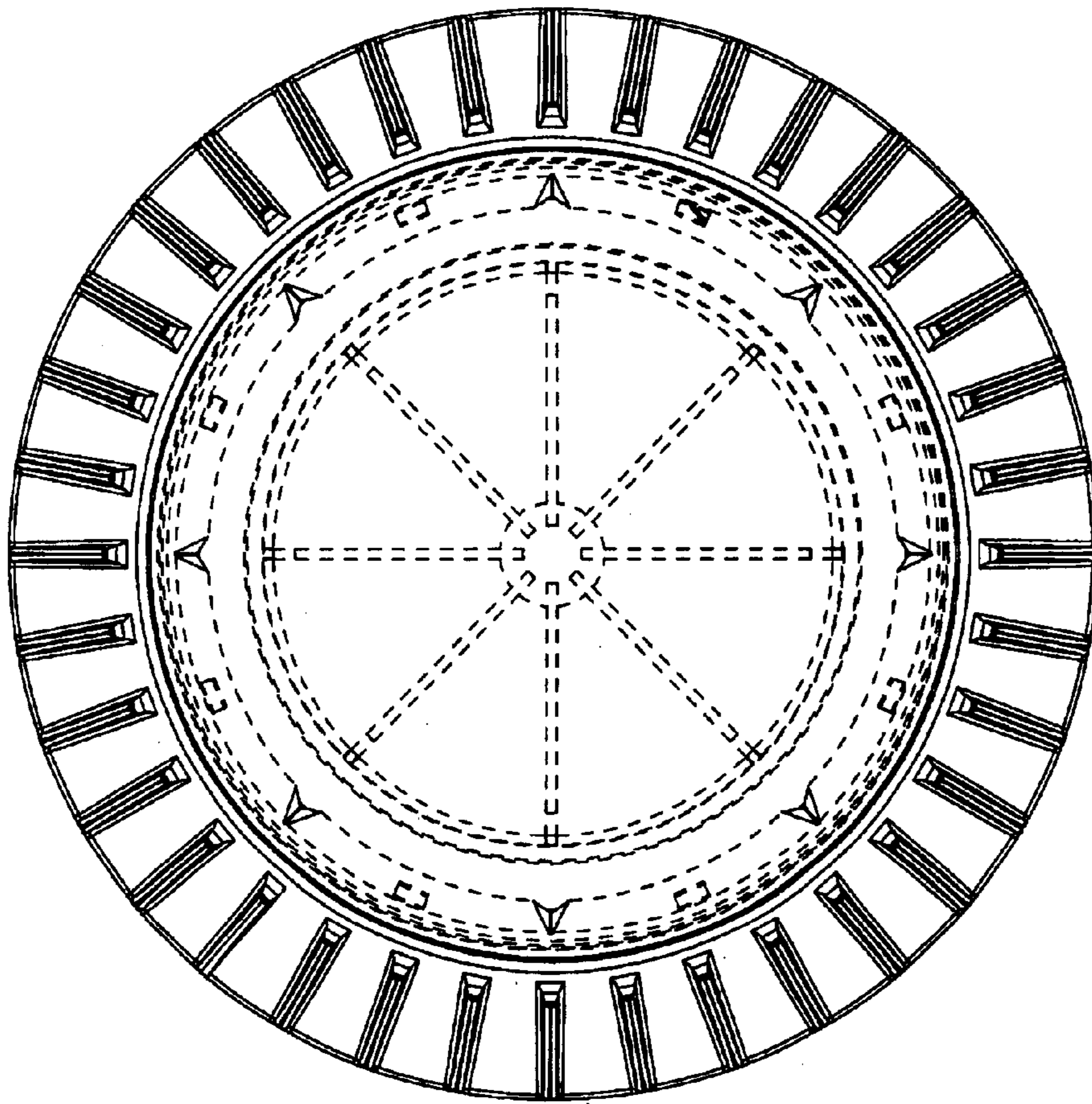


FIG. 4

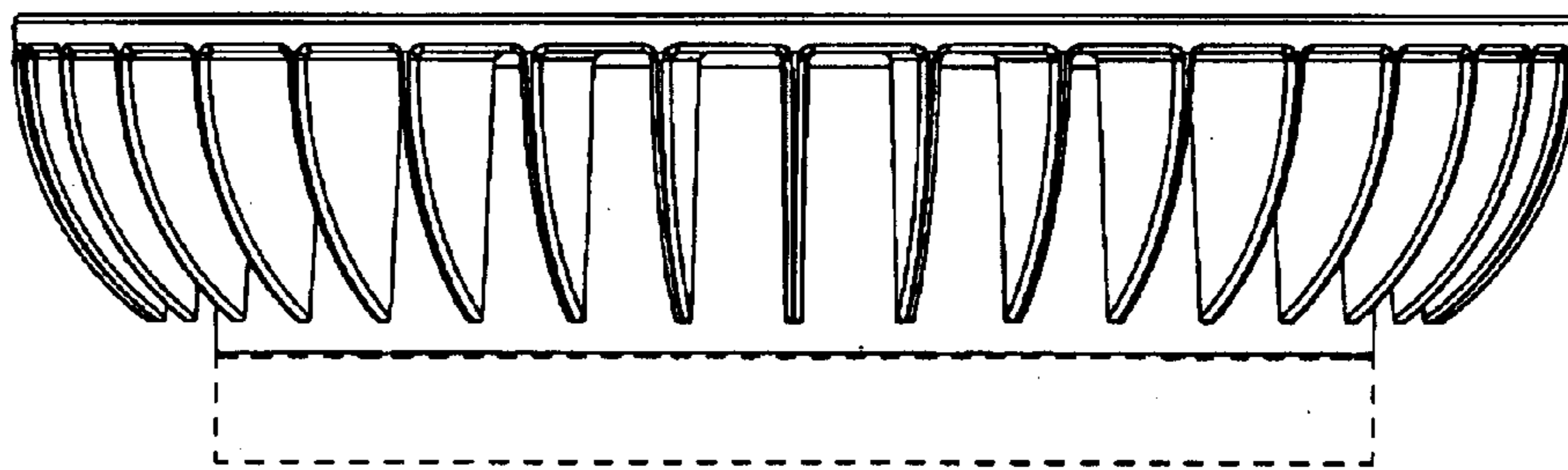


FIG. 5