



US00D530611S

(12) **United States Design Patent**
Nusbaum et al.

(10) **Patent No.:** **US D530,611 S**
(45) **Date of Patent:** **** Oct. 24, 2006**

(54) **BOTTLE CAP**

(75) Inventors: **Philippe Nusbaum**, Daix (FR);
Yannick Celerier, Aluze (FR); **Jeremy Le Cam**, Dijon (FR)

(73) Assignee: **Bericap**, Longvic (FR)

(**) Term: **14 Years**

(21) Appl. No.: **29/232,310**

(22) Filed: **Jun. 16, 2005**

Related U.S. Application Data

(63) Continuation-in-part of application No. 11/032,292, filed on Jan. 10, 2005, which is a continuation of application No. PCT/FR03/02061, filed on Jul. 2, 2003.

(30) **Foreign Application Priority Data**

Jul. 12, 2002 (FR) 02 08850
Jul. 12, 2002 (FR) 02 08849
Dec. 17, 2004 (EM) 000274170-0001
Dec. 17, 2004 (EM) 000274170-0002

(51) **LOC (8) Cl.** **09-07**

(52) **U.S. Cl.** **D9/449; D9/446; D9/453**

(58) **Field of Classification Search** D9/499,
D9/453, 452, 449, 447, 446, 443, 435, 450;
D7/900, 511, 510, 509, 397, 317, 392.1, 314,
D7/396.2, 312; 222/570, 568, 567; 221/63;
220/710, 709, 708, 707, 706, 705

See application file for complete search history.

(56) **References Cited**

U.S. PATENT DOCUMENTS

D226,555 S * 3/1973 Weber D9/446
D280,802 S * 10/1985 Cho D9/446

D302,120 S * 7/1989 Niwa et al. D9/417
5,007,555 A * 4/1991 Beck 220/254.3
D367,424 S * 2/1996 Thanisch D9/446
D398,851 S * 9/1998 Gaiser et al. D9/453
D419,447 S * 1/2000 Molloy D9/449
D480,305 S * 10/2003 Nusbaum et al. D9/449
D490,315 S * 5/2004 Kiser D9/449

* cited by examiner

Primary Examiner—Gary D. Watson

Assistant Examiner—Susan Bennett Hattan

(74) *Attorney, Agent, or Firm*—Harness, Dickey & Pierce, P.L.C.

(57) **CLAIM**

The invention claimed is the ornamental design for a bottle cap, as shown and described.

DESCRIPTION

FIG. 1 is a front elevational view showing a bottle cap of the new design;

FIG. 2 is a front perspective view showing the bottle cap of the new design;

FIG. 3 is a rear perspective view showing the bottle cap of the new design;

FIG. 4 is a front perspective view showing the bottle cap of the new design, with the top in an open position;

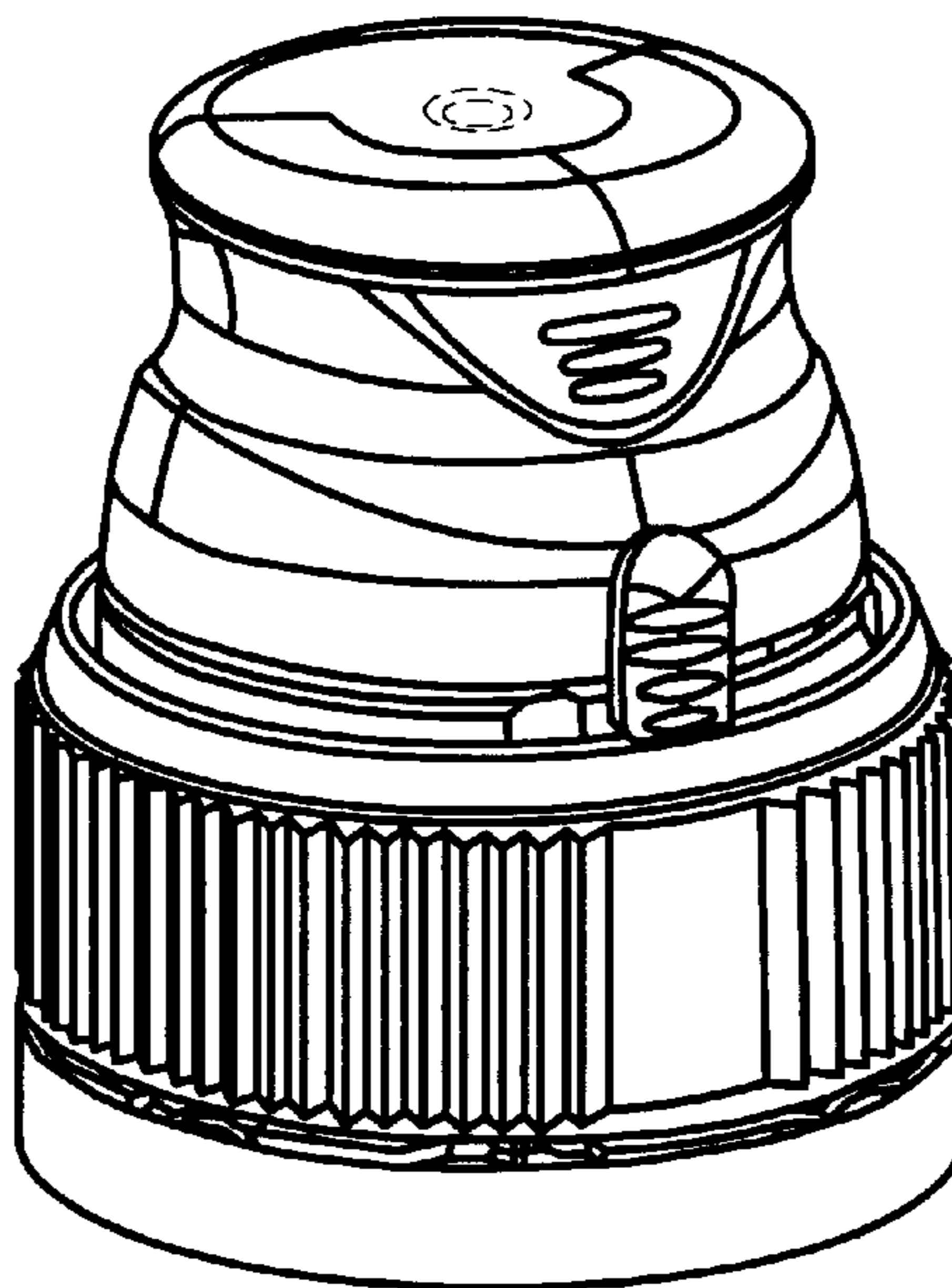
FIG. 5 is a side elevational view showing the bottle cap of the new design, with the top in an open position;

FIG. 6 is a side elevational view showing the bottle cap of the new design; and,

FIG. 7 is a top elevational view showing the bottle cap of the new design.

The broken lines within the drawings are for illustrative purposes only and form no part of the presently claimed invention.

1 Claim, 3 Drawing Sheets



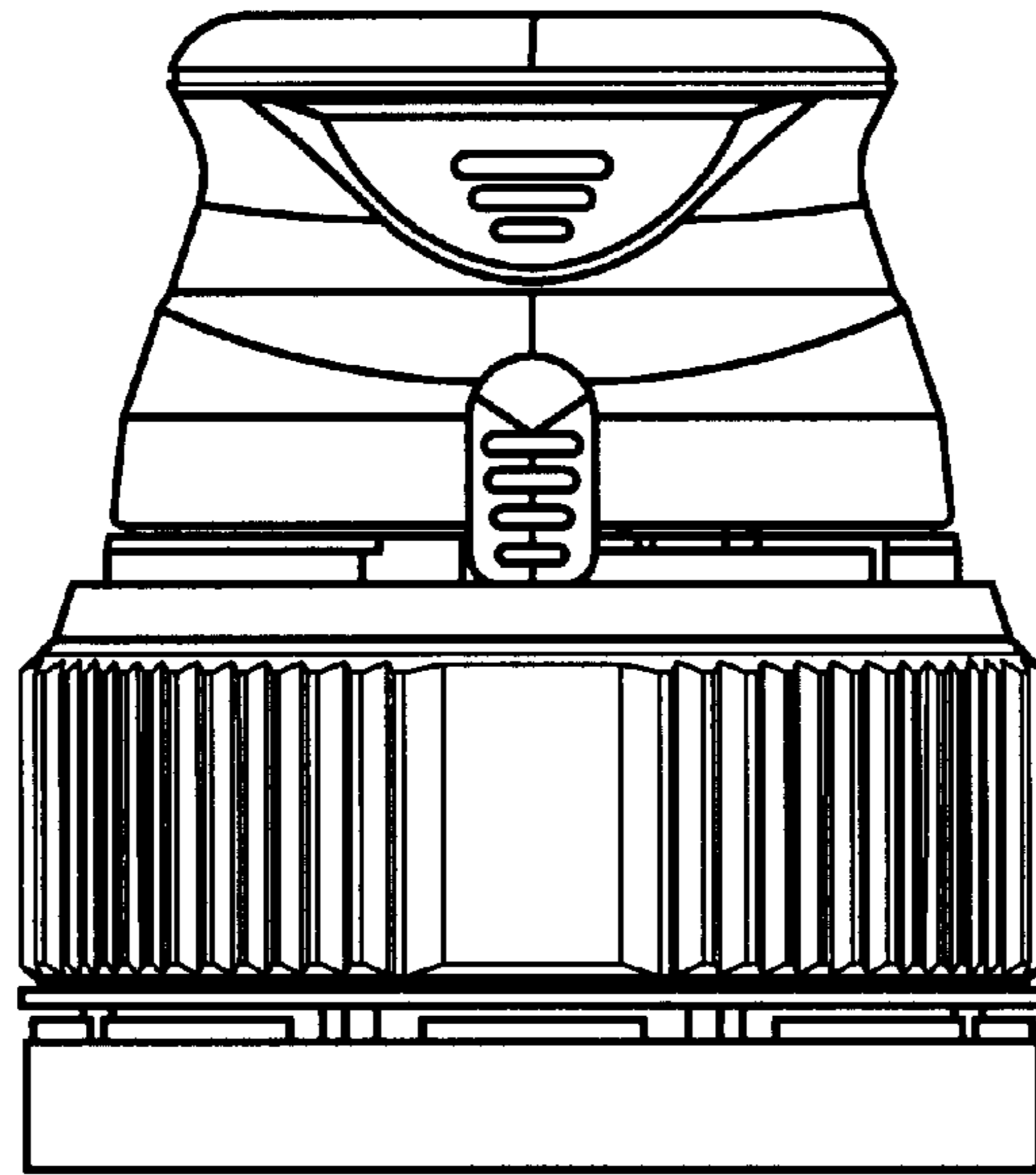


FIG - 1

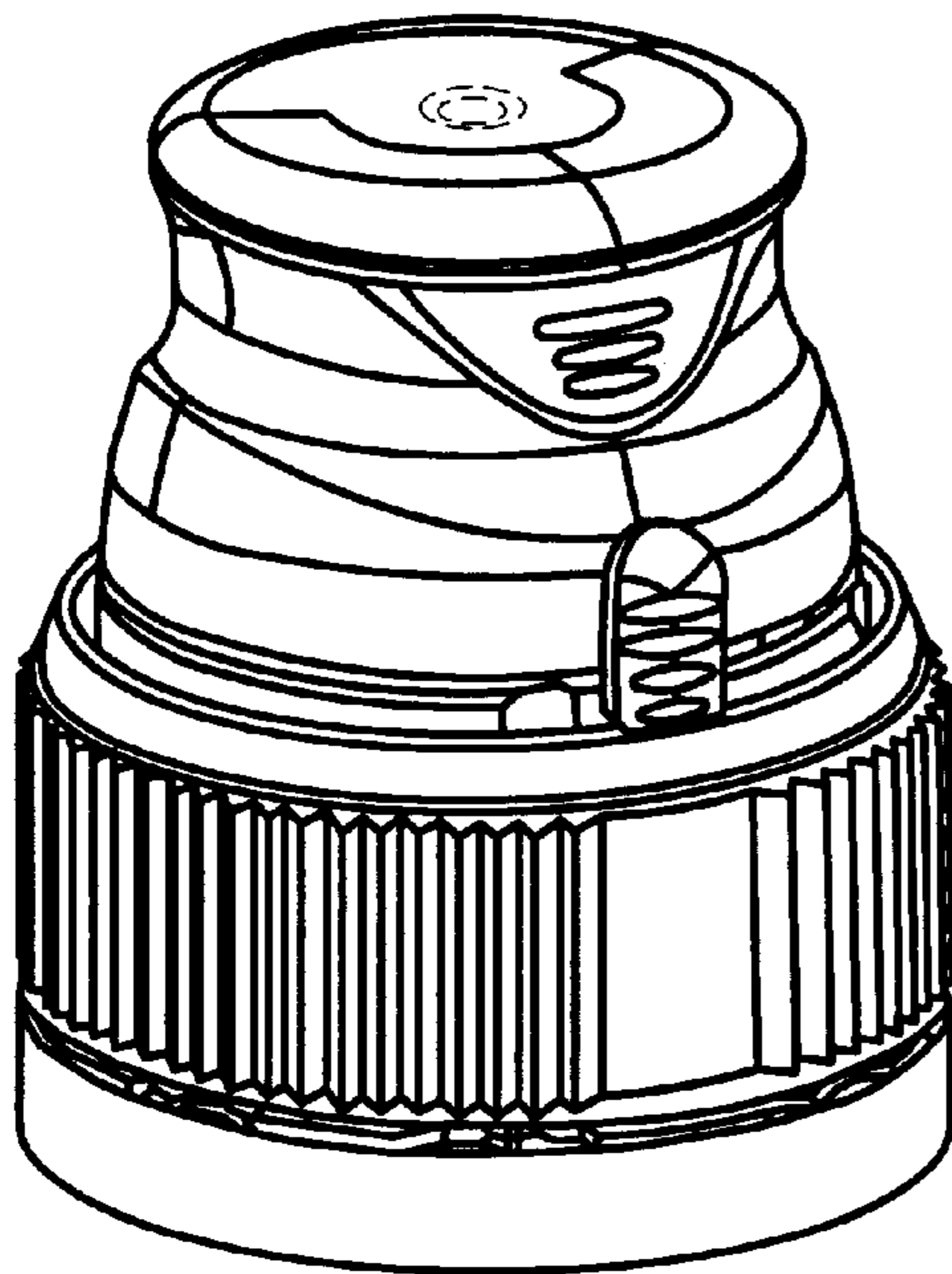


FIG - 2

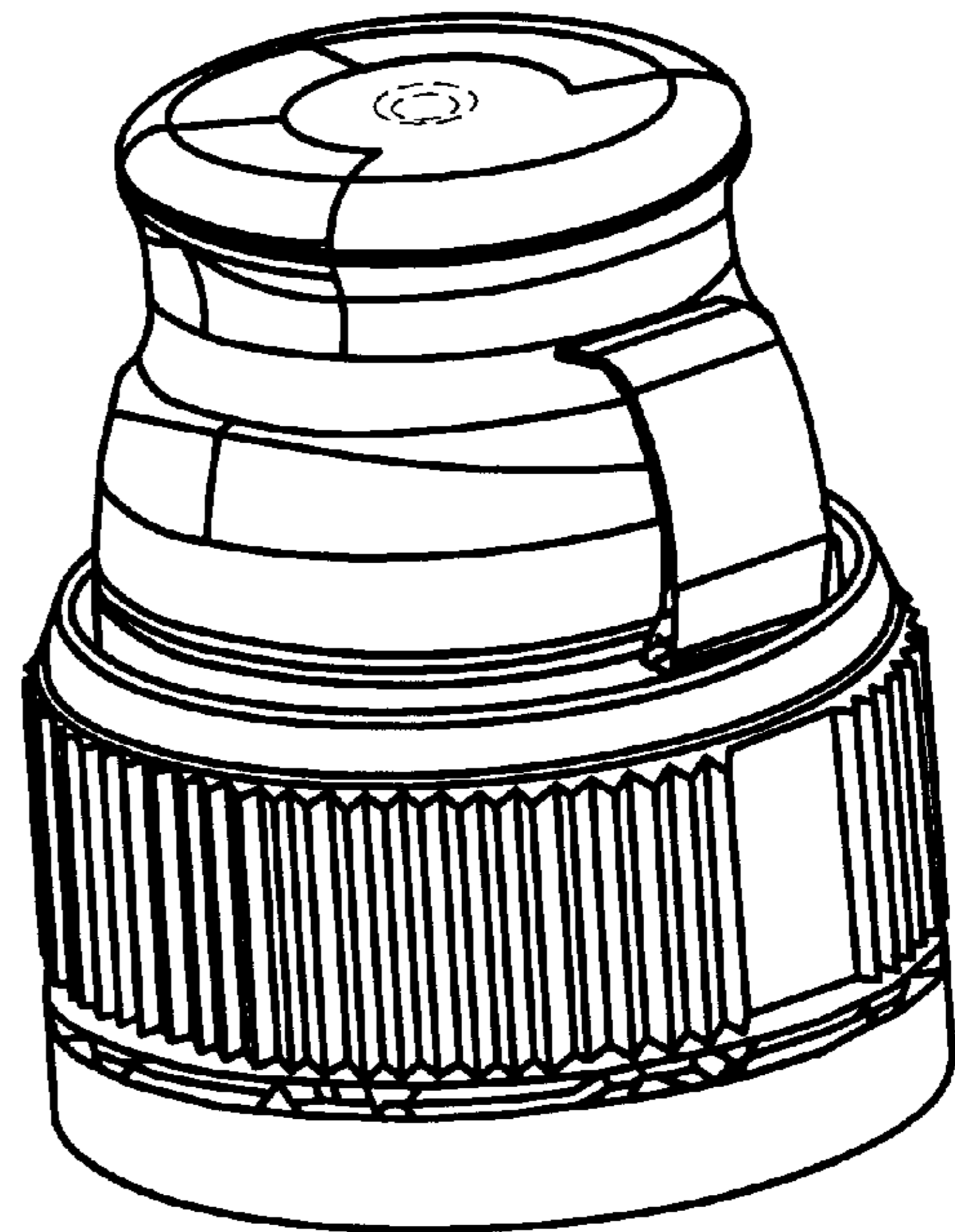


FIG - 3

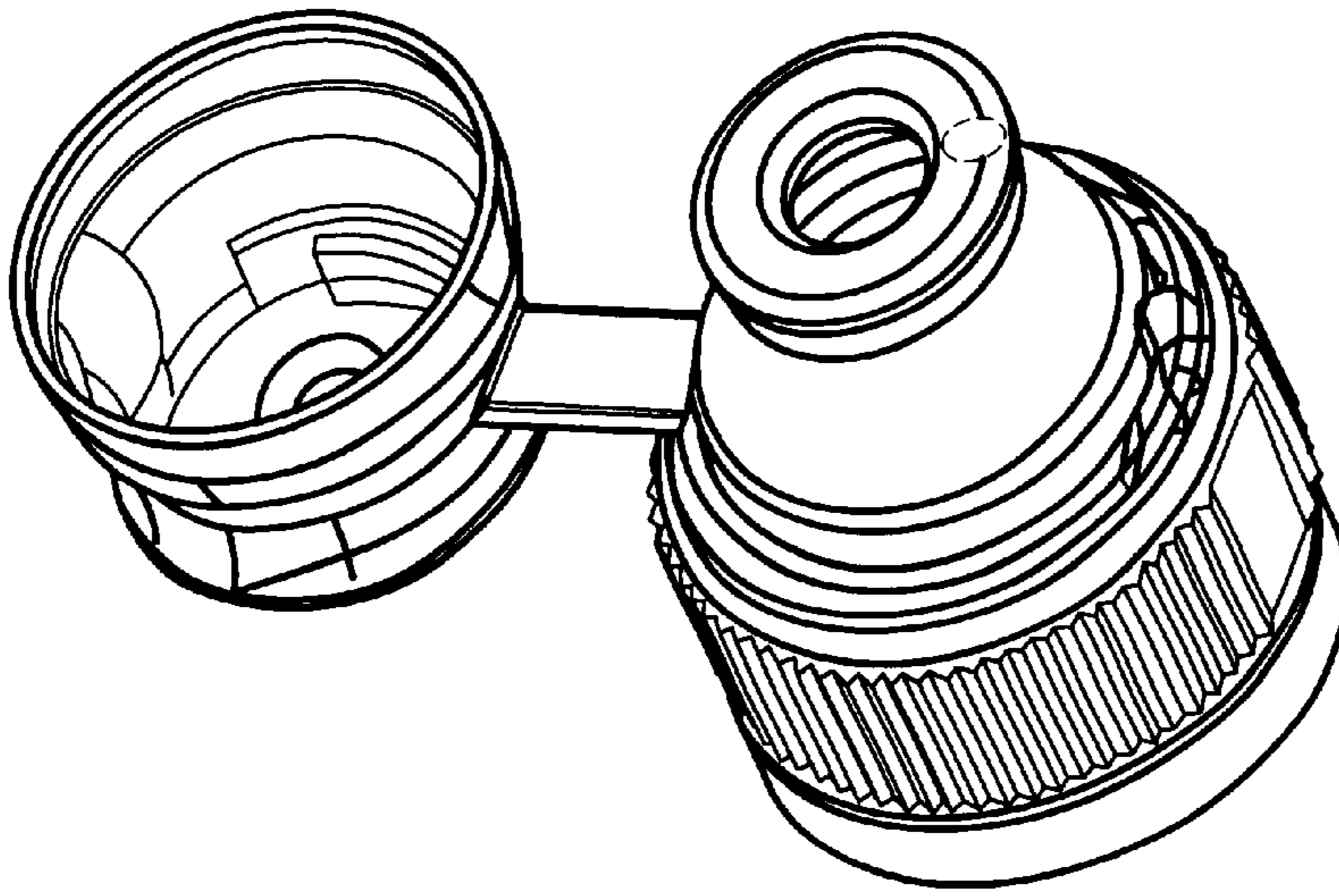


FIG - 4

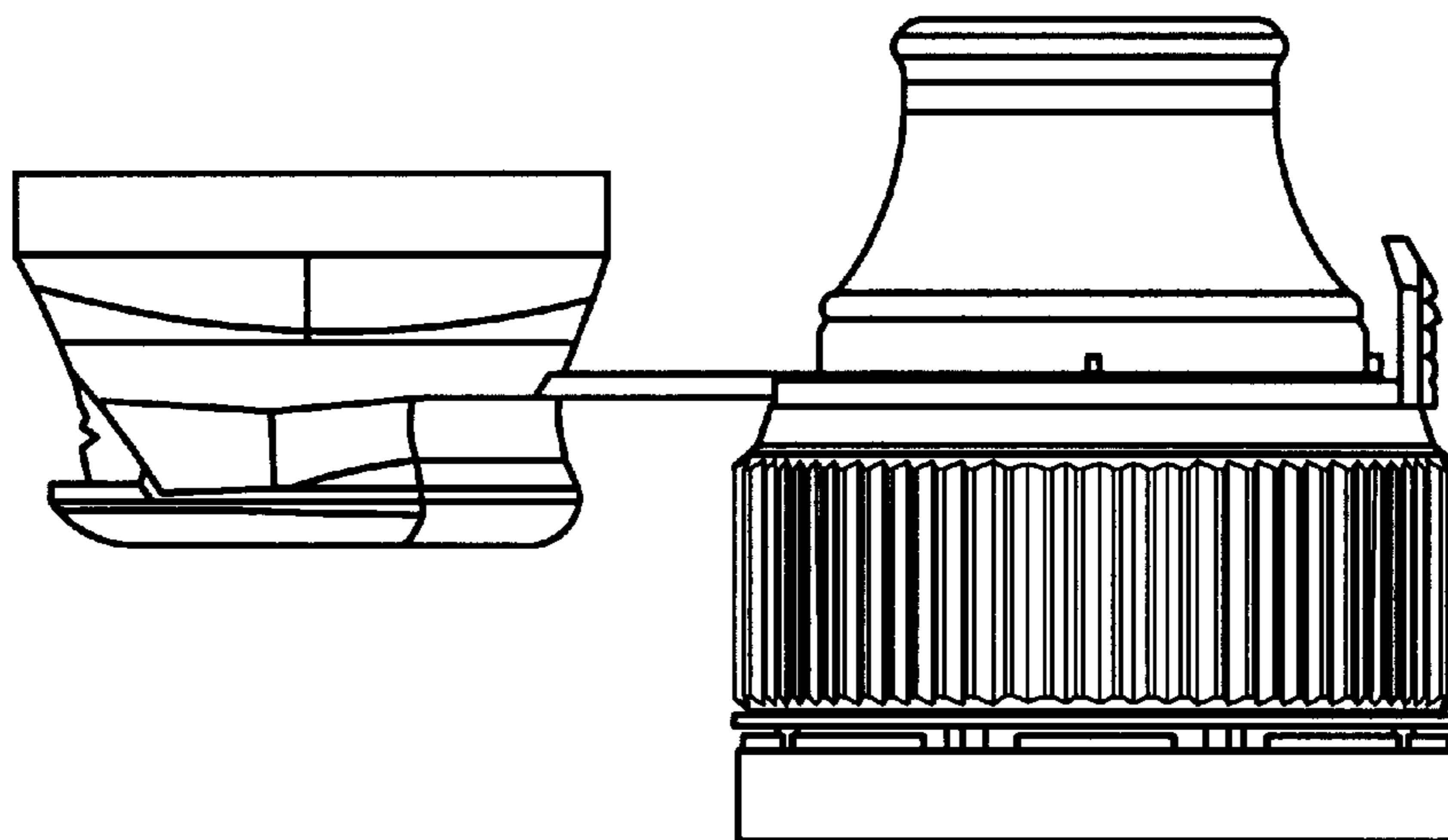


FIG - 5

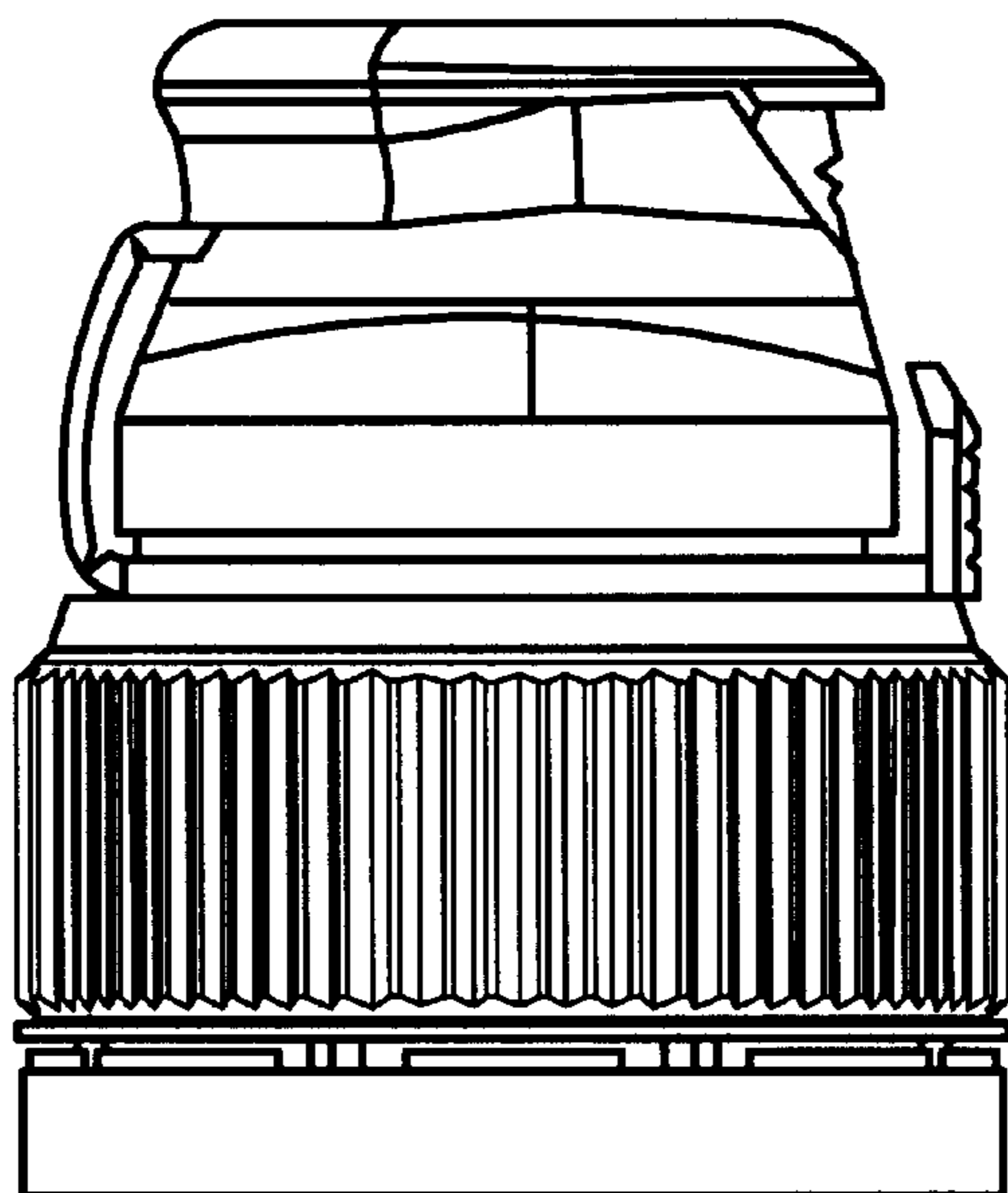


FIG - 6

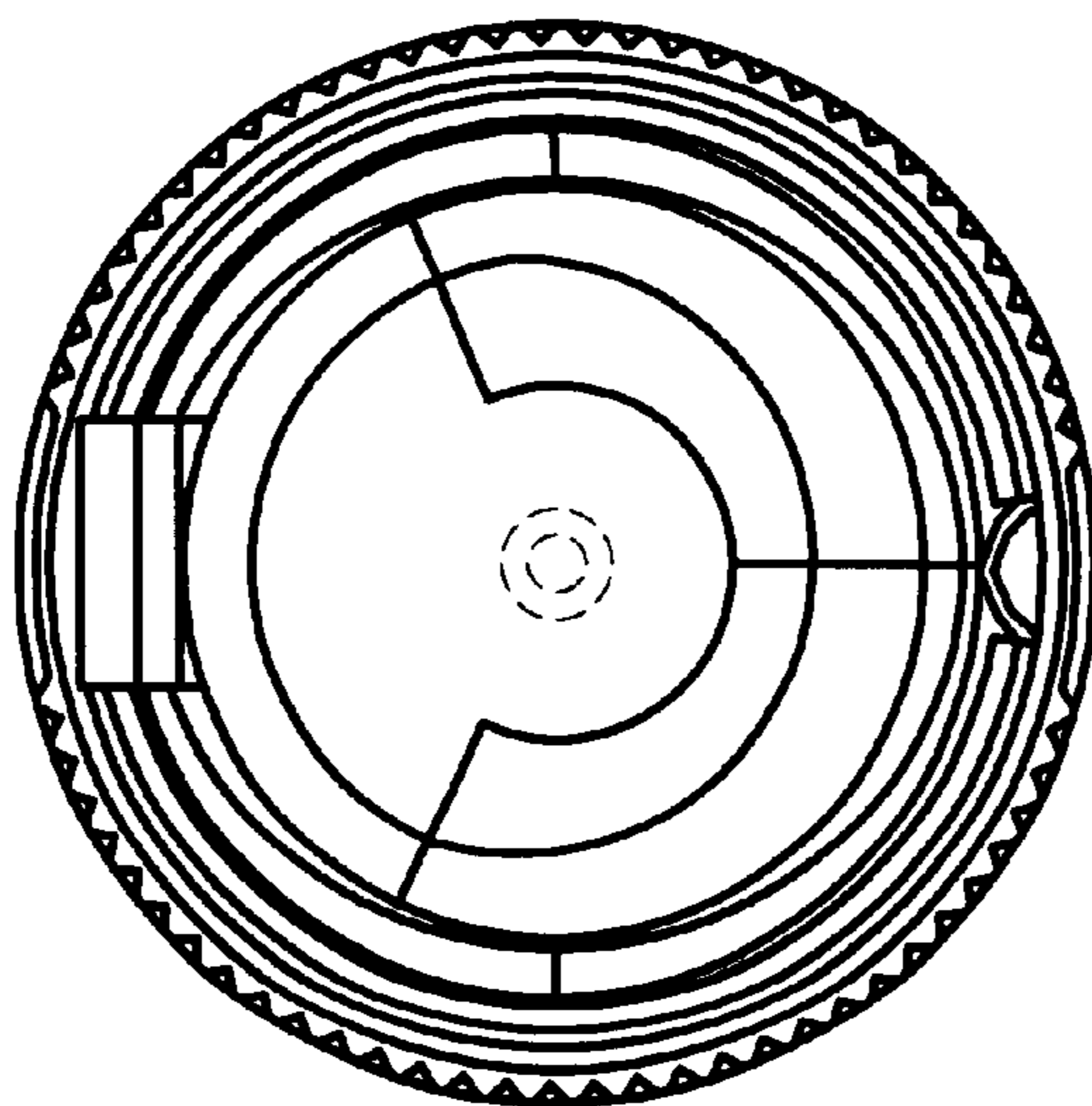


FIG - 7