



US00D530606S

(12) **United States Design Patent** (10) **Patent No.:** **US D530,606 S**
Liebe et al. (45) **Date of Patent:** **** Oct. 24, 2006**

(54) **CONTAINER LID**

(75) Inventors: **Thomas Liebe**, Thun (CH); **Heinz Reinhard**, Schnottwil (CH)

(73) Assignee: **Hoffmann Neopac AG**, Thun (CH)

(**) Term: **14 Years**

(21) Appl. No.: **29/234,703**

(22) Filed: **Jul. 21, 2005**

(30) **Foreign Application Priority Data**

Jan. 24, 2005 (EP) 000283403

(51) **LOC (8) Cl.** **09-07**

(52) **U.S. Cl.** **D9/440; D9/449**

(58) **Field of Classification Search** D9/734,
D9/454, 453, 447, 443, 440, 435, 449, 420;
D7/392.1; D6/515-518; 222/575; 221/282,
221/26; 206/824, 812, 389, 233, 225

See application file for complete search history.

(56) **References Cited**

U.S. PATENT DOCUMENTS

3,872,996 A	3/1975	Dogliotti	220/254
D255,995 S	7/1980	Kinslow	D9/275
D312,781 S	* 12/1990	Rigby	D9/420
D364,344 S	11/1995	Shaw	D9/421
5,785,179 A	* 7/1998	Buczynski et al.	206/494
D413,419 S	* 8/1999	Arbak et al.	D34/1
D434,979 S	12/2000	Liu	D9/415
D464,884 S	* 10/2002	Sumpmann et al.	D9/432
D465,685 S	* 11/2002	Dellerman et al.	D9/435
D471,804 S	3/2003	Staples	D9/423
D473,461 S	4/2003	Joubert	D9/423
D474,402 S	* 5/2003	Baerenwald	D9/420
D479,420 S	* 9/2003	White et al.	D6/518
D481,942 S	11/2003	Elgebrant	D9/424
D509,732 S	9/2005	Staples	D9/423
D513,175 S	* 12/2005	Fielder et al.	D9/447

* cited by examiner

Primary Examiner—Robert M. Spear
Assistant Examiner—Susan Bennett Hattan

(74) *Attorney, Agent, or Firm*—Gifford, Krass, Groh, Sprinkle, Anderson & Citowski, P.C.

(57) **CLAIM**

The ornamental design for a container lid, as shown and described.

DESCRIPTION

FIG. 1 is a perspective view of an inventive container lid in a closed position with a mated container shown in broken lines;

FIG. 2 is a perspective view of an inventive lid depicted in FIG. 1 in a partially open position;

FIG. 3 is a perspective view of an inventive lid depicted in FIG. 1 in a fully open position;

FIG. 4 is a top view of the inventive lid depicted in FIG. 1; FIG. 5 is a left side view of the inventive lid depicted in FIG. 1;

FIG. 6 is a front view of the inventive lid depicted in FIG. 1;

FIG. 7 is a rear view of the inventive lid depicted in FIG. 1

FIG. 8 is a perspective view of a dimensionally different embodiment of inventive container lid in a closed position with a mated container shown in broken lines;

FIG. 9 is a perspective view of an inventive lid depicted in FIG. 1 in a fully open position;

FIG. 10 is a top view of the inventive lid depicted in FIG. 1;

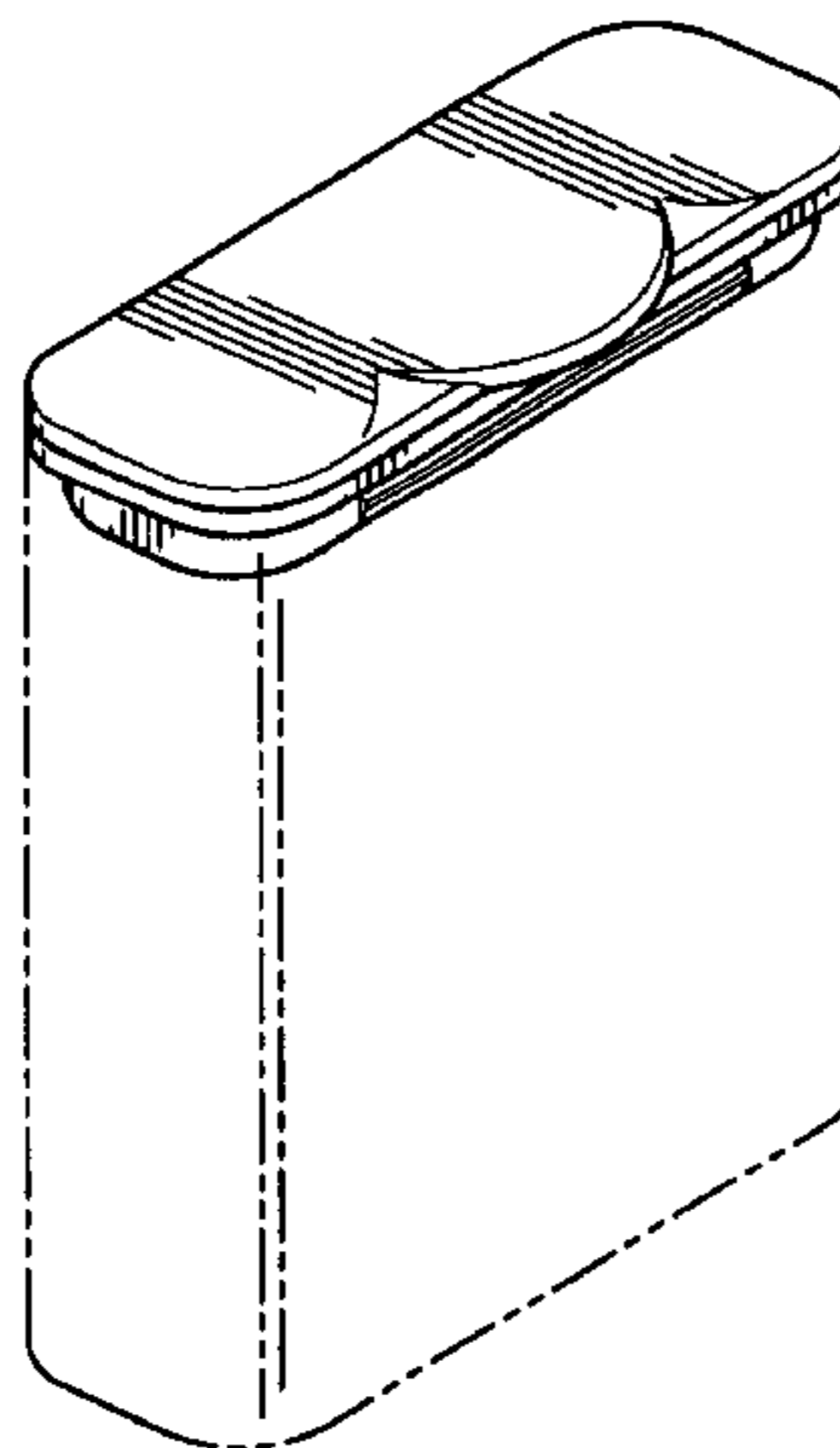
FIG. 11 is a left side view of the inventive lid depicted in FIG. 1;

FIG. 12 is a front view of the inventive lid depicted in FIG. 1; and,

FIG. 13 is a rear view of the inventive lid depicted in FIG. 1.

The broken lines in the drawings are for illustrative purposes only and form no part of the claimed design.

1 Claim, 2 Drawing Sheets



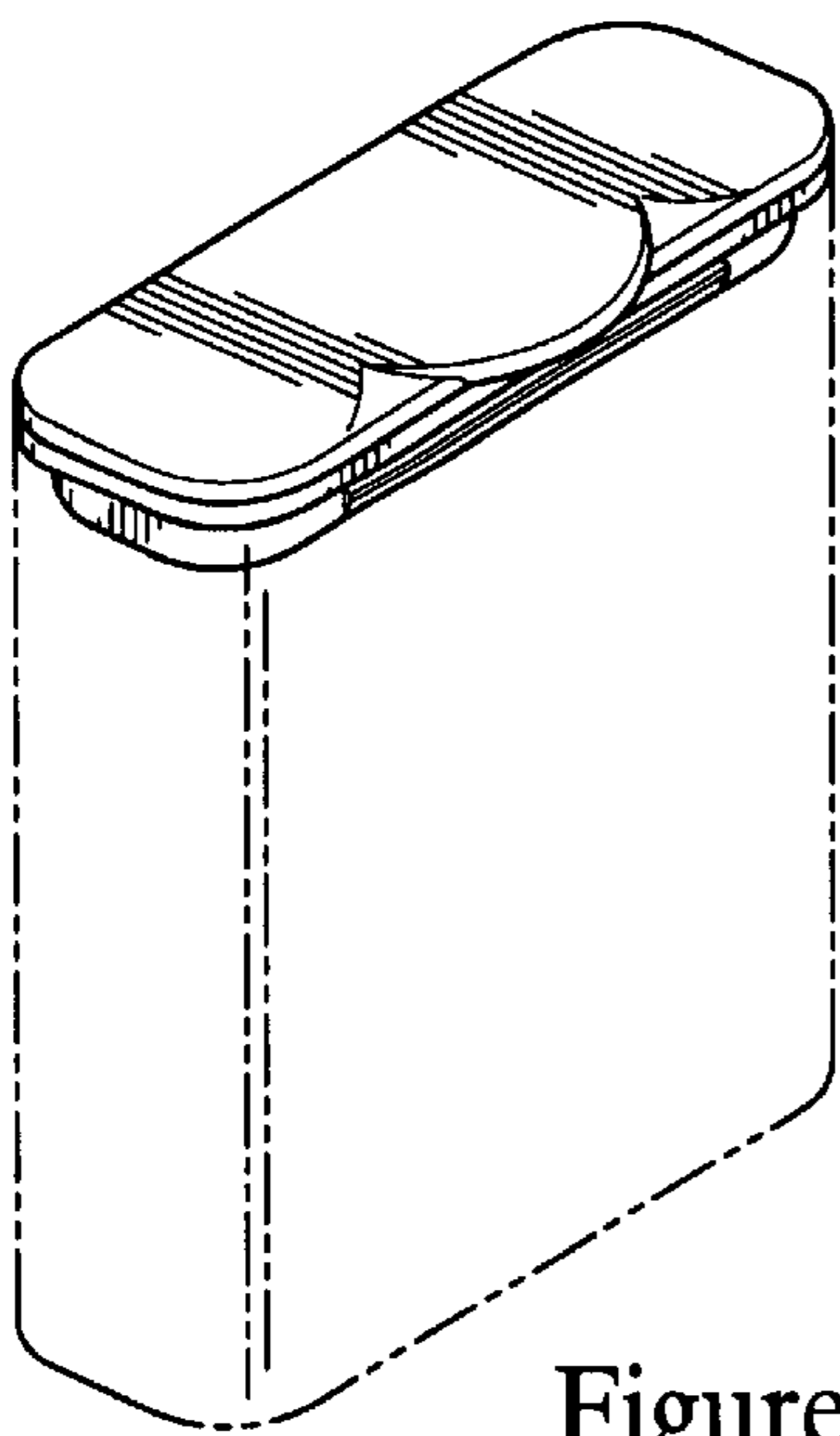


Figure 1

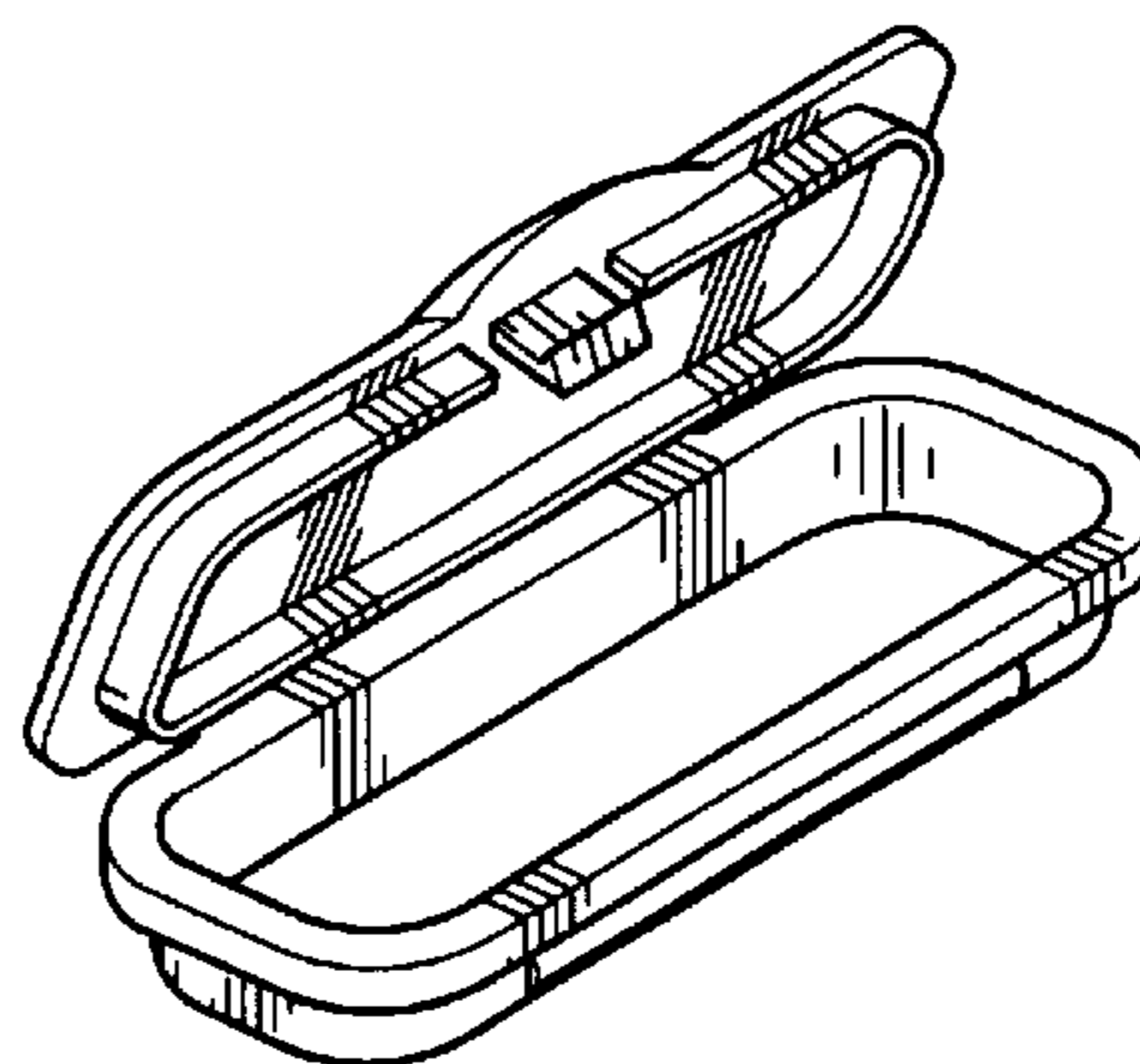


Figure 2

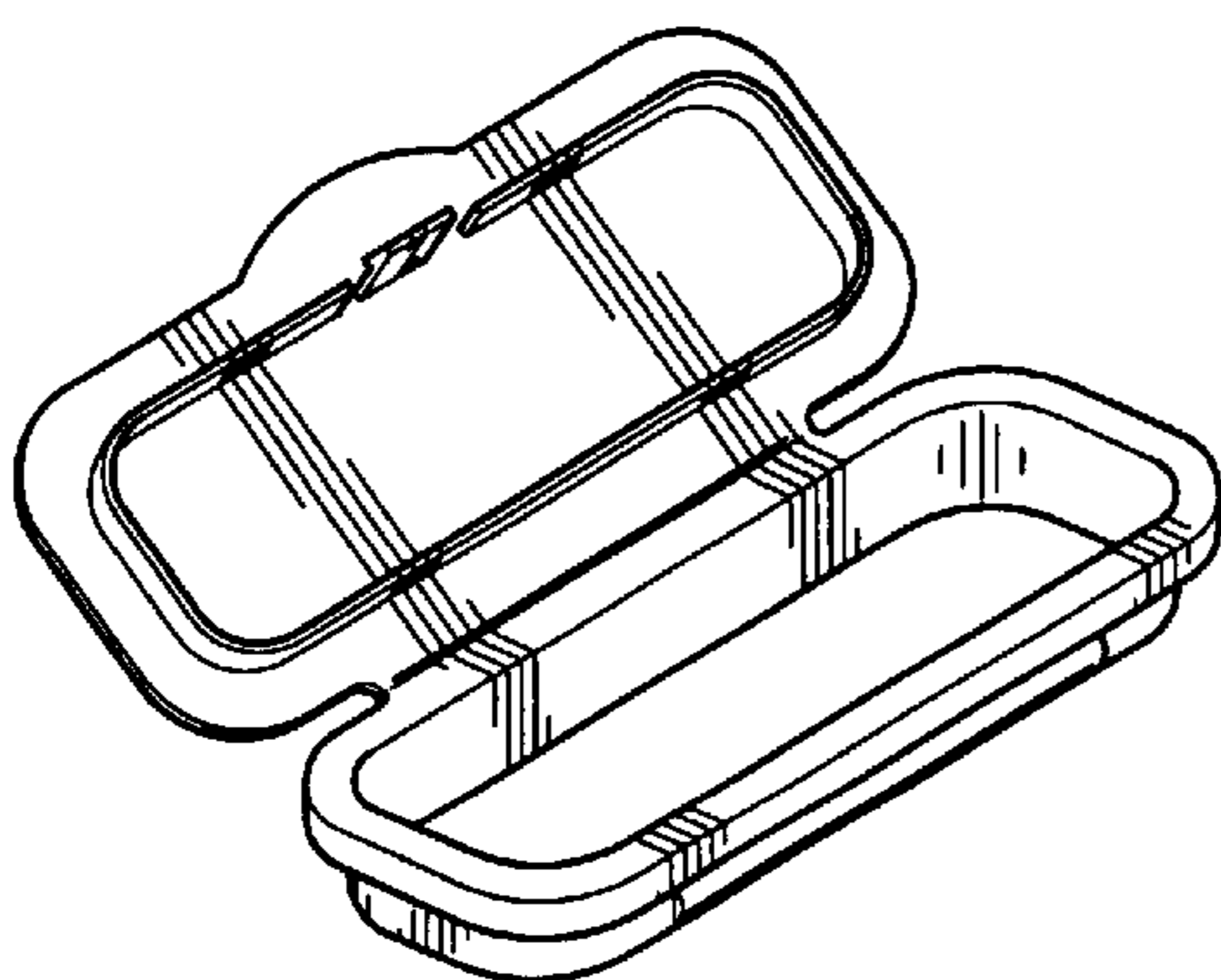


Figure 3

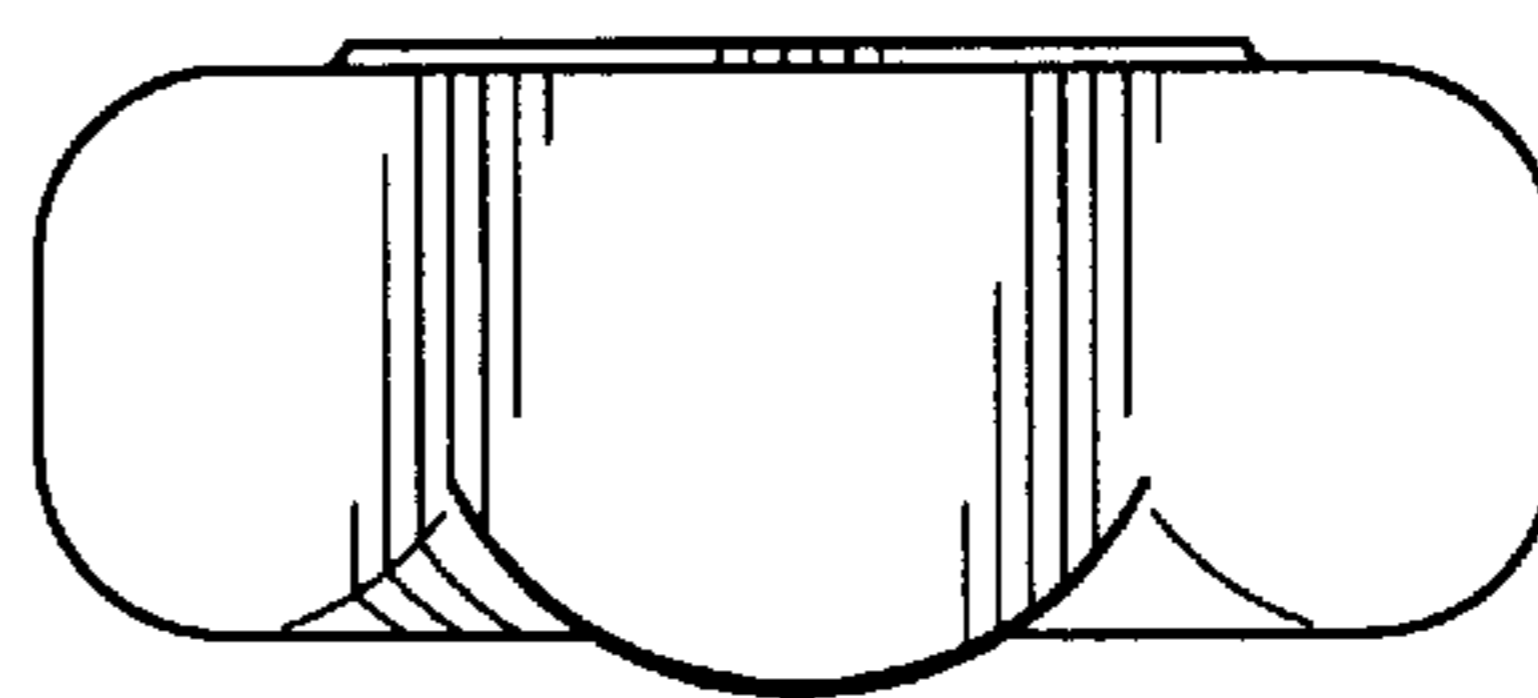


Figure 4



Figure 6



Figure 5

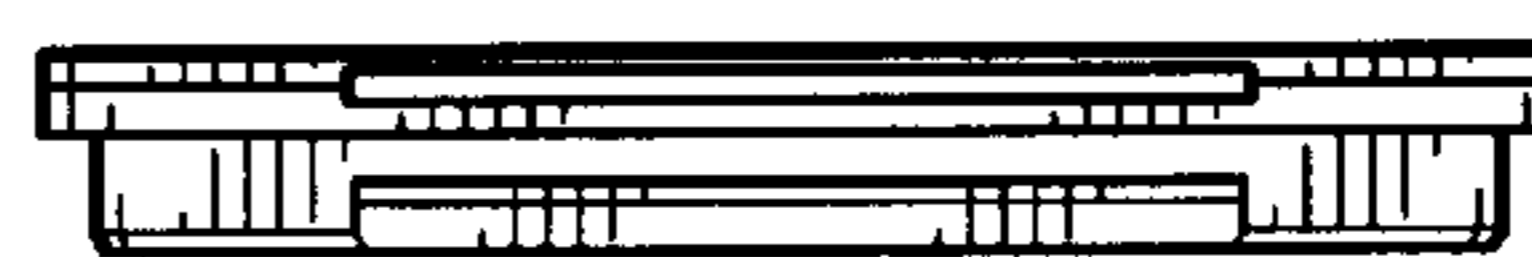


Figure 7

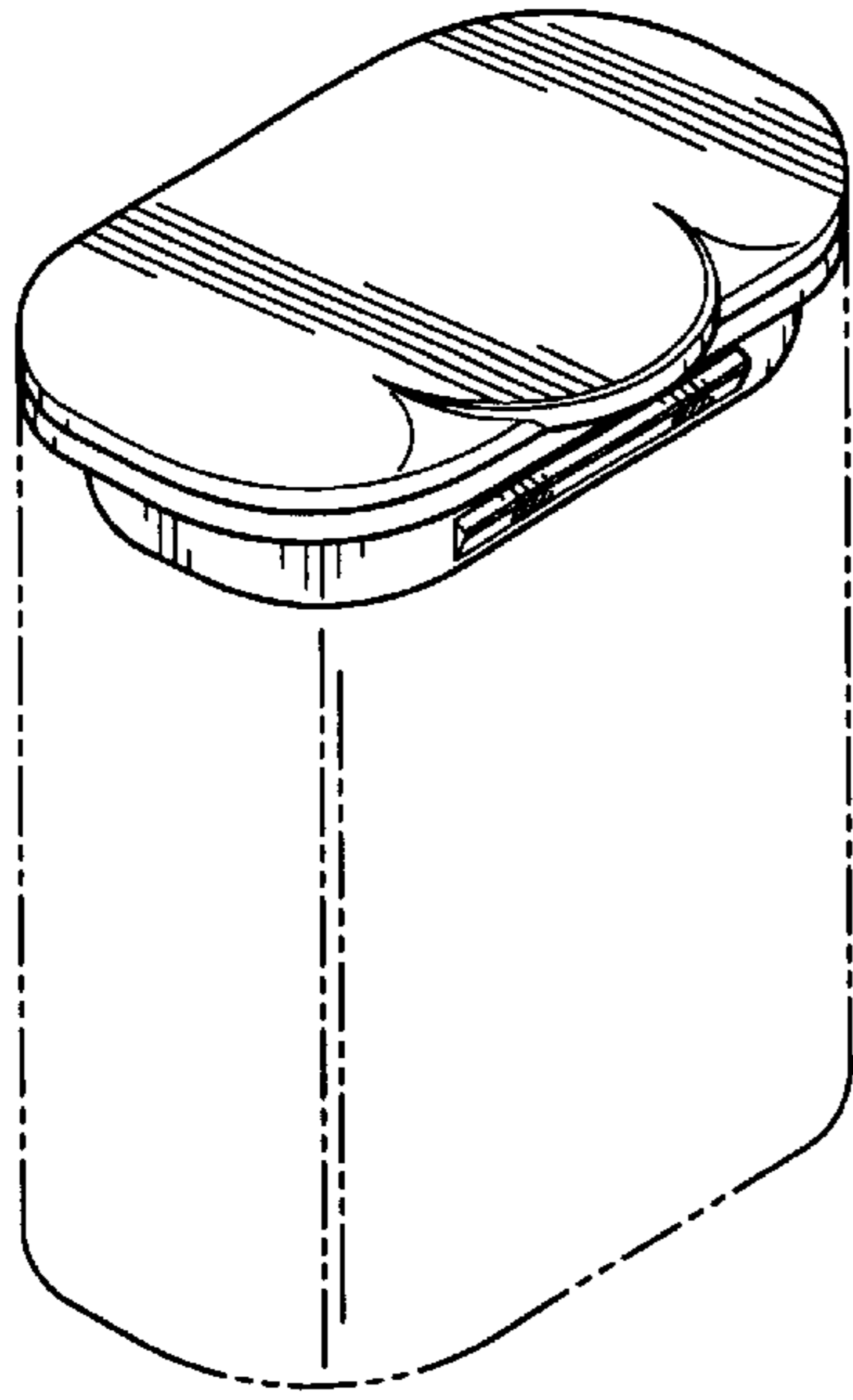


Figure 8

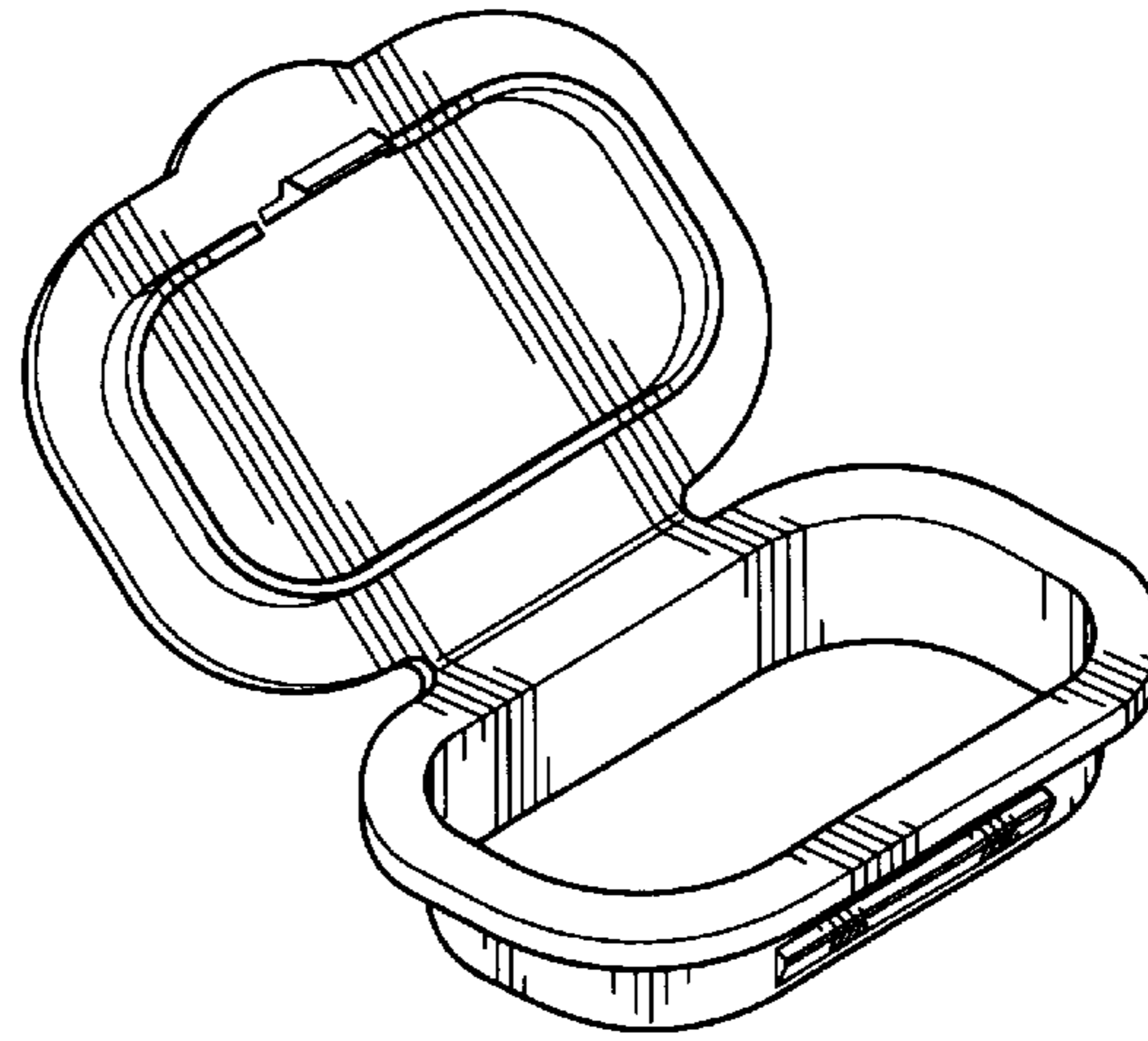


Figure 9

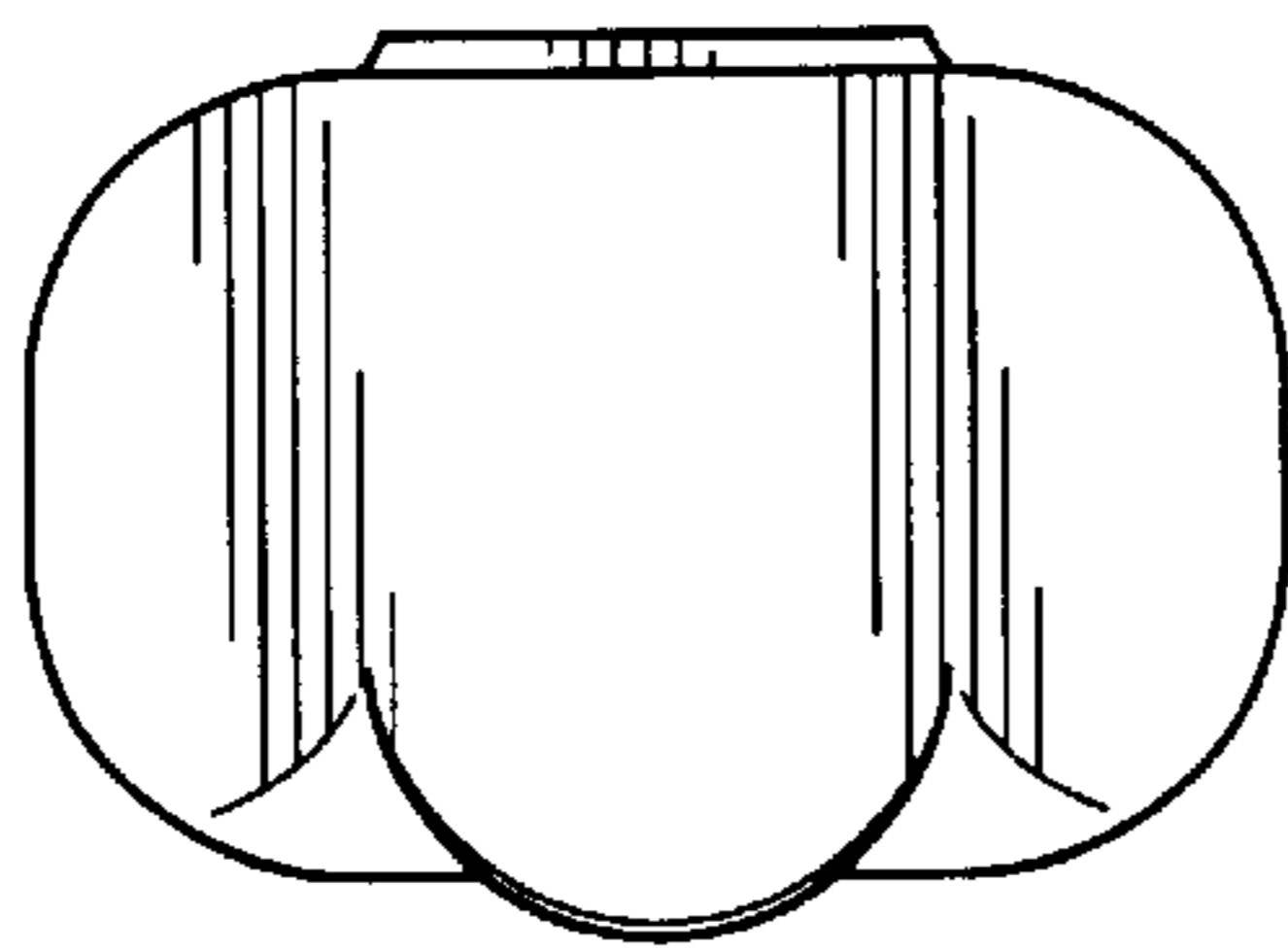


Figure 10

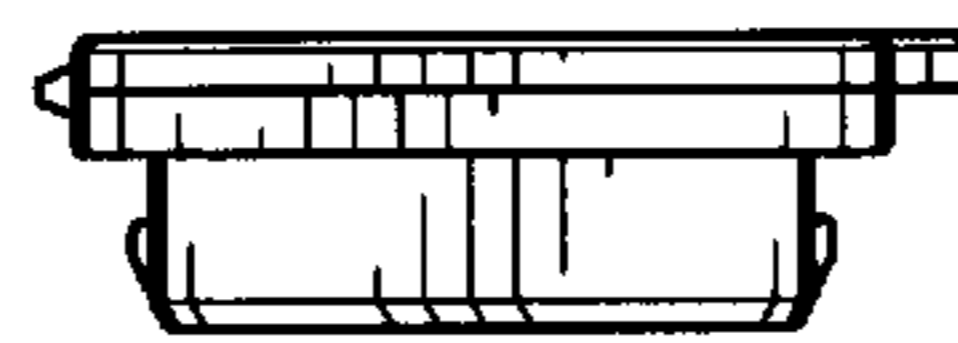


Figure 11



Figure 12



Figure 13