

US00D530603S

(12) **United States Design Patent**
Lohrman et al.

(10) **Patent No.:** **US D530,603 S**
(45) **Date of Patent:** **** Oct. 24, 2006**

(54) **CONTAINER CLOSURE HAVING A PULL TAB**

(75) Inventors: **Richard D. Lohrman**, North Aurora, IL (US); **David D. Morrocco**, Johnston, RI (US); **Peter J. Swierk**, Cumberland, RI (US); **Roger R. Fontaine**, North Smithfield, RI (US)

(73) Assignee: **Portola Packaging, Inc.**, Batavia, IL (US)

(**) Term: **14 Years**

(21) Appl. No.: **29/205,207**

(22) Filed: **May 11, 2004**

(51) **LOC (8) Cl.** **09-07**

(52) **U.S. Cl.** **D9/438**

(58) **Field of Classification Search** D9/607,
D9/601, 518, 499, 454, 449, 447, 438; 220/273,
220/272, 271, 270, 269, 265, 260, 254.7,
220/254.3; 215/304

See application file for complete search history.

(56) **References Cited**

U.S. PATENT DOCUMENTS

- 3,031,111 A 4/1962 Stull
- 3,135,441 A 6/1964 Wise et al.
- 3,269,617 A 8/1966 Goth
- D208,592 S * 9/1967 Hanlon et al. D9/438
- 3,395,839 A 8/1968 Vercillo
- 3,458,080 A 7/1969 Laurizio
- 3,459,315 A 8/1969 Labarre
- 3,610,484 A 10/1971 Matzka
- 3,998,354 A 12/1976 Song
- 4,019,663 A 4/1977 Krautkramer
- 4,022,357 A 5/1977 Dwinell
- 4,183,442 A * 1/1980 Scharf et al. 220/271
- 4,356,939 A 11/1982 Fitte
- 4,380,303 A 4/1983 Allen et al.
- 4,408,697 A 10/1983 Yoshikawa et al.
- 4,453,646 A 6/1984 Harrild
- 4,463,867 A 8/1984 Nagel

- 4,669,640 A 6/1987 Ando et al.
- 4,671,420 A 6/1987 Marcus
- 4,682,702 A 7/1987 Gach
- 4,703,610 A 11/1987 Bach
- 4,706,837 A 11/1987 Cooke
- 4,727,999 A 3/1988 Gach
- 4,733,787 A 3/1988 Knopf et al.
- 4,746,025 A 5/1988 Krautkramer et al.
- 4,757,911 A 7/1988 Larkin et al.
- 4,801,037 A 1/1989 Hayashida et al.
- 4,807,769 A 2/1989 Gach

(Continued)

FOREIGN PATENT DOCUMENTS

- CA 685952 5/1964
- FR 1523236 5/1968
- GB 0935117 8/1963
- GB 2041896 9/1980
- GB 2192179 1/1988
- GB 2211164 6/1989
- GB 2337740 12/1999
- GB 2374068 10/2002
- WO WO 90/014287 A1 11/1990
- WO WO 03/051737 A3 6/2003

Primary Examiner—Robert M. Spear
Assistant Examiner—Susan Bennett Hattan
(74) *Attorney, Agent, or Firm*—Dorsey & Whitney LLP

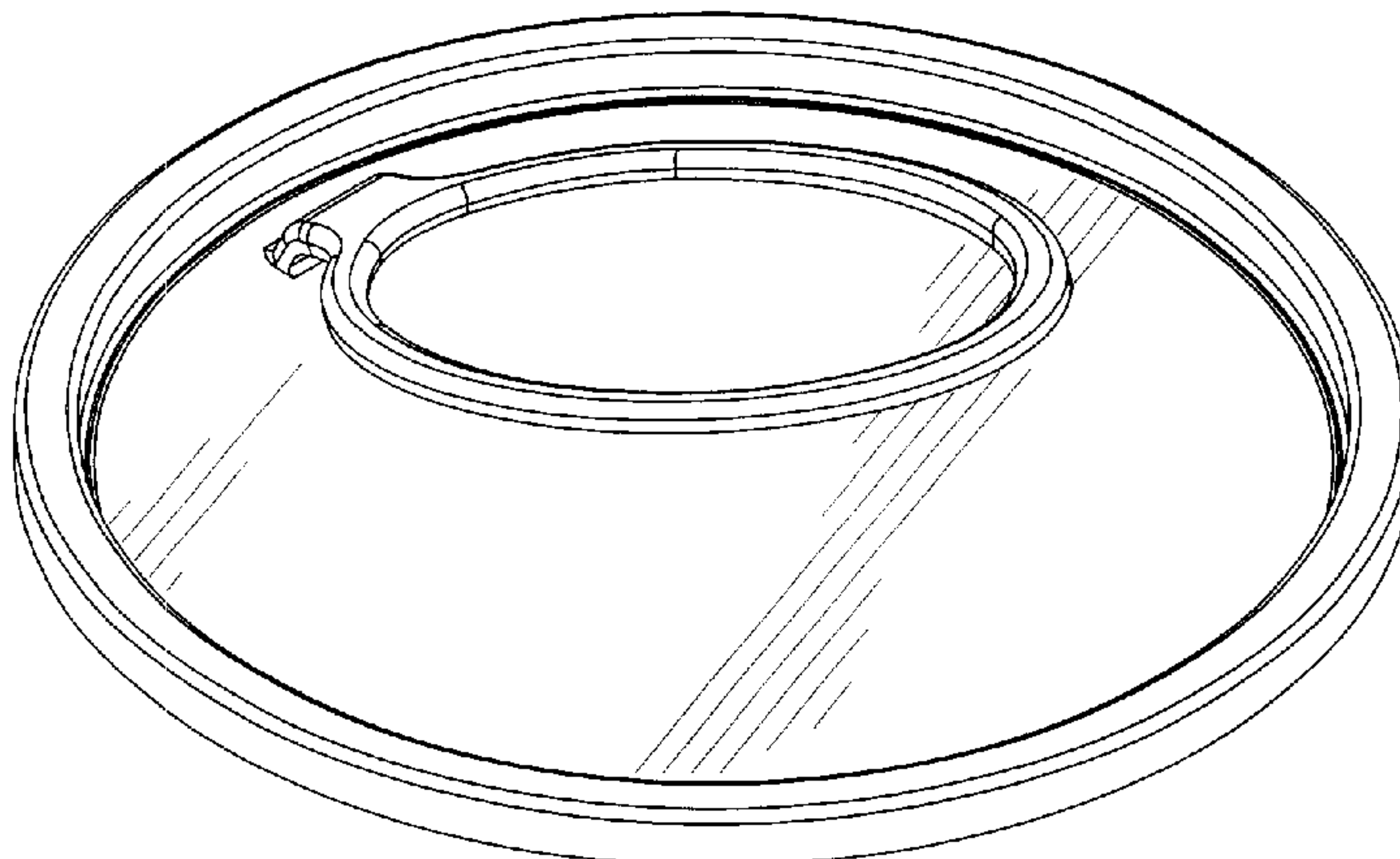
(57) **CLAIM**

The ornamental design for a container closure having a pull tab, as shown and described.

DESCRIPTION

FIG. 1 is an upper perspective view of a container closure having a pull tab showing our new design; FIG. 2 is another perspective view thereof; FIG. 3 is a top plan view thereof; FIG. 4 is a front elevational view thereof; FIG. 5 is a right side elevational view thereof, the left side view being a mirror image thereof; and, FIG. 6 is a rear elevational view thereof.

1 Claim, 2 Drawing Sheets



US D530,603 S

Page 2

U.S. PATENT DOCUMENTS

4,819,819	A	4/1989	Robertson, Jr.		5,597,082	A	1/1997	Luch et al.
4,850,503	A	7/1989	Larsson		5,678,719	A	10/1997	Adams et al.
4,887,765	A	12/1989	Rausing		5,735,426	A	4/1998	Babcock et al.
4,948,003	A	8/1990	Munoz		5,755,360	A	5/1998	Elliot
4,948,015	A	8/1990	Kawajiri et al.		5,765,747	A	6/1998	Lawson
D314,337	S	* 2/1991	Norton	D9/438	5,810,184	A	9/1998	Adams et al.
D314,338	S	* 2/1991	Piltz	D9/438	5,839,627	A	11/1998	Hicks et al.
5,004,126	A	4/1991	Klesius		5,915,574	A	6/1999	Adams et al.
5,069,372	A	12/1991	Kawajiri		5,957,312	A	9/1999	Adams et al.
5,108,029	A	4/1992	Abrams et al.		6,000,566	A	12/1999	Kost
5,133,486	A	7/1992	Moore et al.		6,086,523	A	7/2000	Adams et al.
5,174,465	A	12/1992	Luch et al.		6,129,228	A	10/2000	Adams et al.
5,176,300	A	1/1993	Kishikawa et al.		6,231,491	B1	5/2001	Adams et al.
5,249,695	A	10/1993	Luch et al.		D450,582	S	11/2001	Adams et al.
5,271,519	A	12/1993	Adams et al.		6,464,096	B1	10/2002	Adams et al.
5,272,855	A	12/1993	Togi et al.		6,467,638	B1	10/2002	Gzybowski et al.
5,301,849	A	4/1994	Guglielmini et al.		6,550,646	B1	4/2003	Takahara et al.
5,303,837	A	4/1994	Adams et al.		6,591,999	B1	7/2003	Molin et al.
5,303,838	A	4/1994	Luch et al.		6,779,675	B1	* 8/2004	Cousseau 220/270
5,348,183	A	9/1994	Luch et al.		2001/0015355	A1	8/2001	Adams et al.
5,348,184	A	9/1994	Adams et al.		2004/0094551	A1	5/2004	Mavin et al.
5,397,013	A	3/1995	Adams et al.		2005/0029267	A1	* 2/2005	Martin et al. 220/270
5,512,228	A	4/1996	Adams et al.					

* cited by examiner

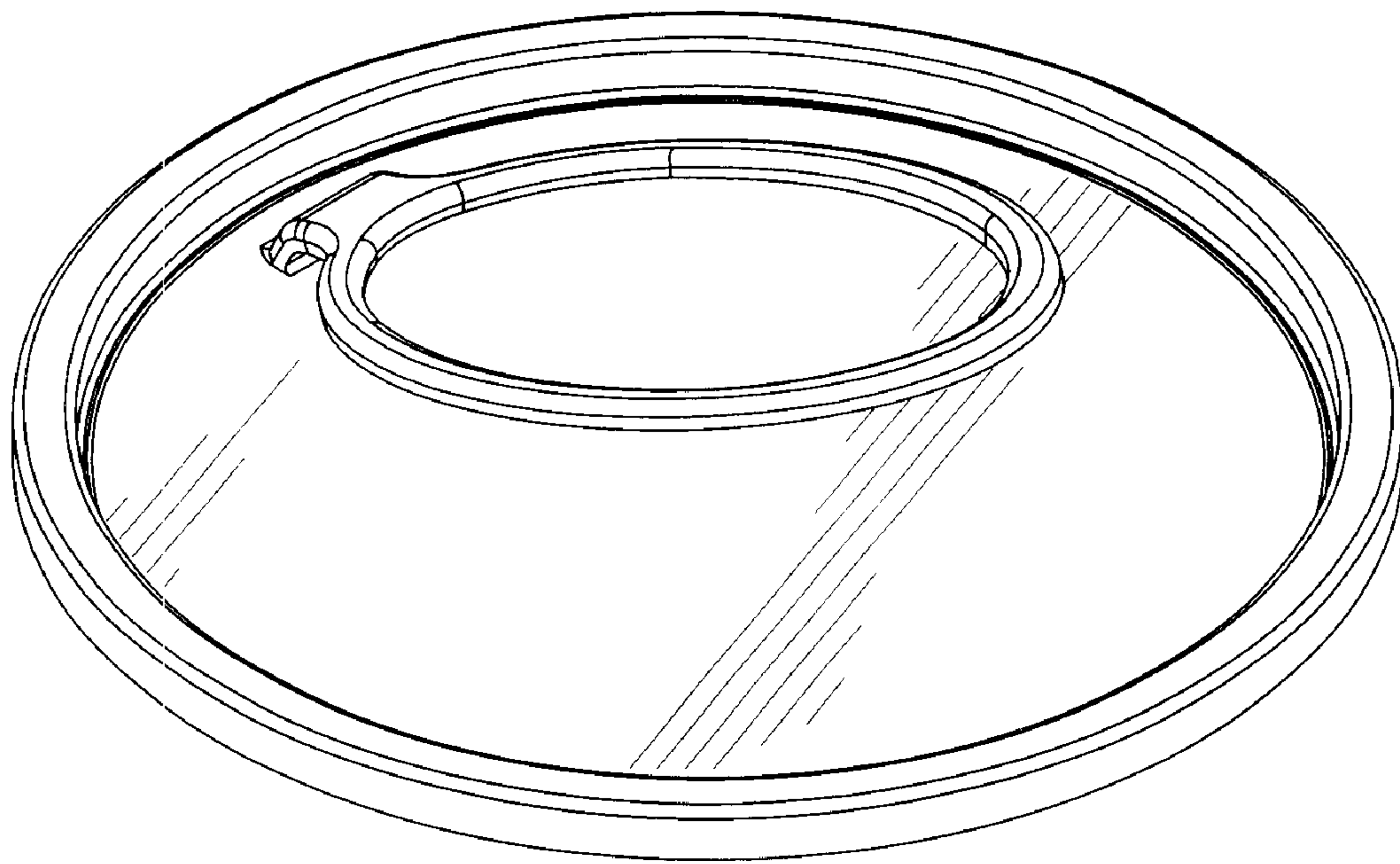


FIG. 1

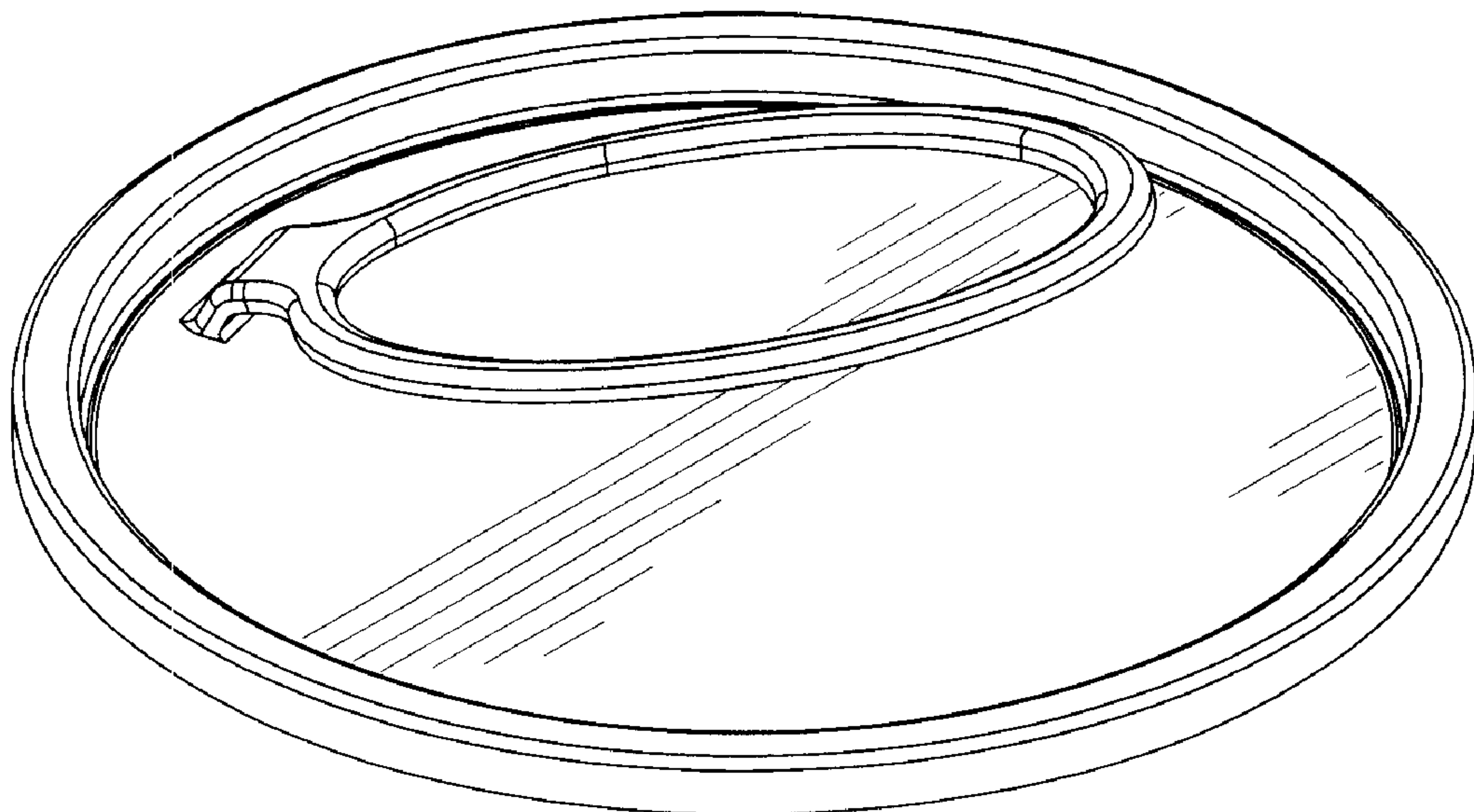


FIG. 2

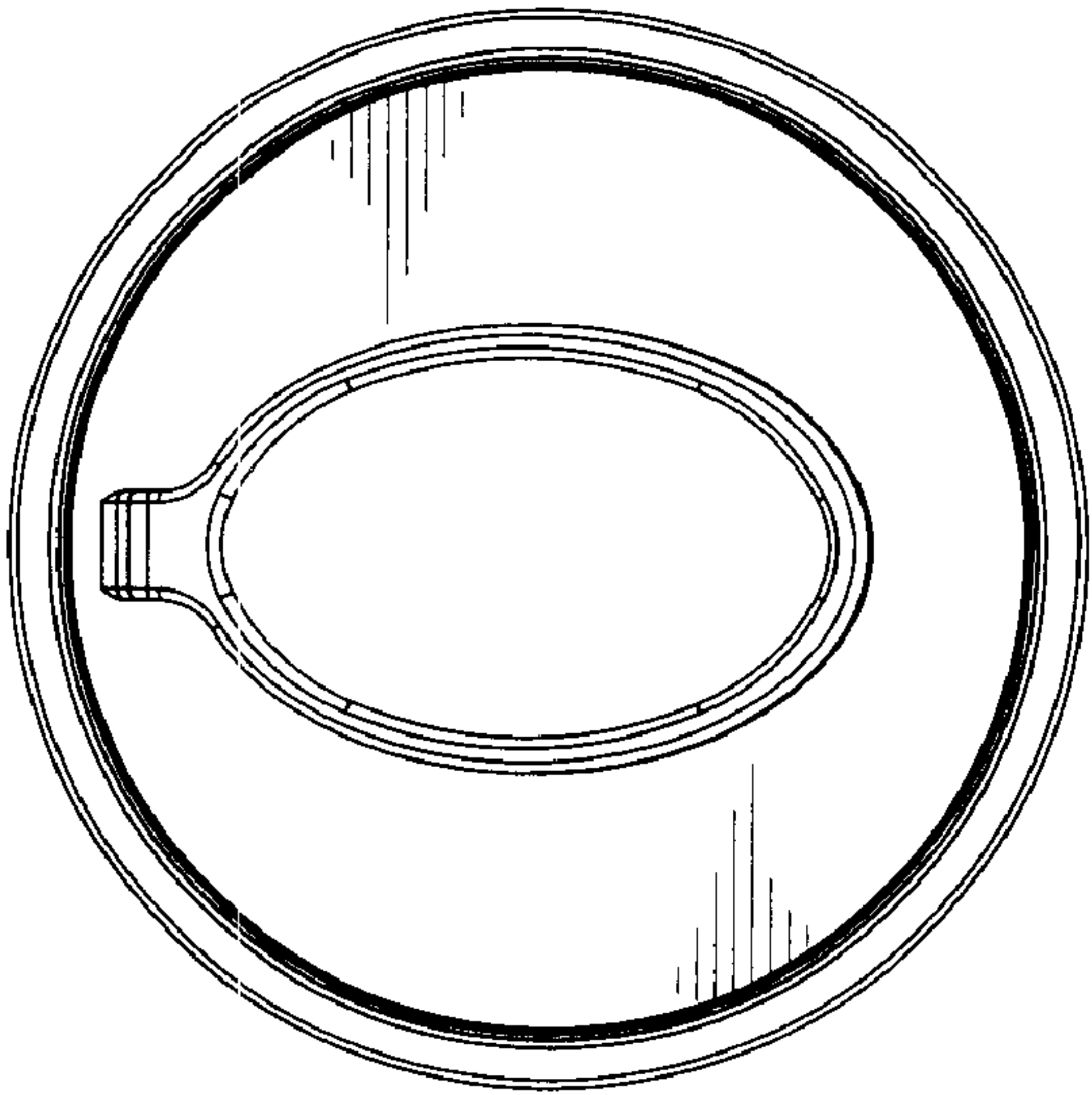


FIG. 3

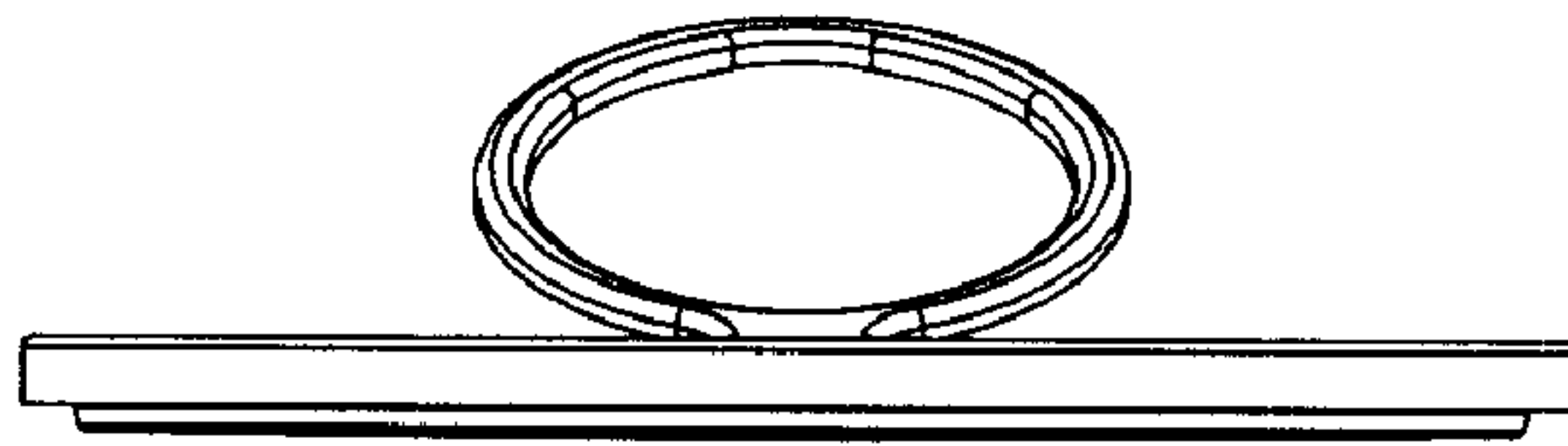


FIG. 4



FIG. 5

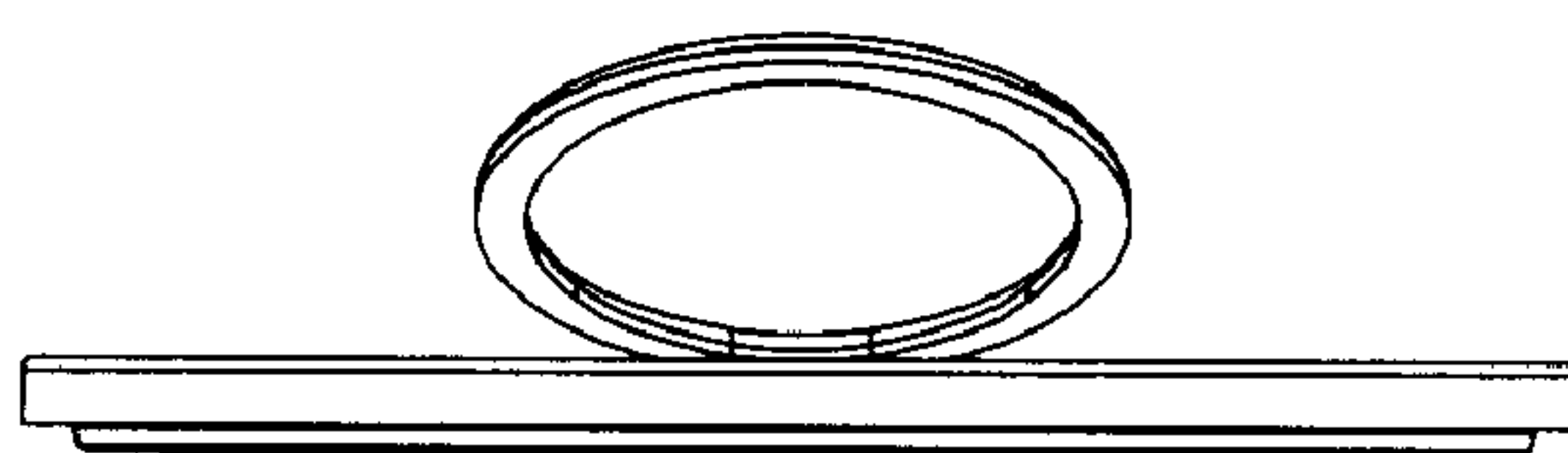


FIG. 6