



US00D530600S

(12) **United States Design Patent**  
**Krisel et al.**

(10) **Patent No.:** **US D530,600 S**  
(45) **Date of Patent:** **\*\* Oct. 24, 2006**

(54) **CABLE TIE**  
(75) Inventors: **Robert J. Krisel**, Oak Forest, IL (US);  
**Richard A. Marcus**, Oak Forest, IL (US)  
(73) Assignee: **Panduit Corp.**, Tinley Park, IL (US)  
(\*\*) Term: **14 Years**  
(21) Appl. No.: **29/215,367**  
(22) Filed: **Oct. 18, 2004**  
(51) **LOC (8) Cl.** ..... **08-08**  
(52) **U.S. Cl.** ..... **D8/396**  
(58) **Field of Classification Search** ..... D8/394-396;  
24/16 PB, 339  
See application file for complete search history.

4,135,749 A 1/1979 Caveney et al.  
4,191,334 A 3/1980 Bulanda et al.  
4,214,349 A 7/1980 Munch  
4,236,280 A 12/1980 Kreiseder  
4,272,870 A \* 6/1981 McCormick ..... 24/16 PB  
4,366,602 A 1/1983 Conlon et al.  
4,399,592 A 8/1983 Chopp, Jr. et al.  
RE31,689 E 10/1984 Bulanda et al.  
4,532,679 A \* 8/1985 Scott ..... 24/16 PB  
4,658,478 A \* 4/1987 Paradis ..... 24/16 PB  
4,688,302 A 8/1987 Caveney et al.  
4,728,064 A 3/1988 Caveney  
4,754,529 A \* 7/1988 Paradis ..... 24/16 PB  
4,866,816 A 9/1989 Caveney  
4,875,647 A 10/1989 Takagi et al.  
5,103,534 A 4/1992 Caveney  
5,121,524 A 6/1992 Mortensen  
5,146,654 A 9/1992 Caveney et al.

(Continued)

(56) **References Cited**

U.S. PATENT DOCUMENTS

2,977,145 A 3/1961 Rifkin  
3,186,047 A \* 6/1965 Schwester et al. .... 24/16 PB  
3,408,699 A 11/1968 Reynolds  
3,457,598 A 7/1969 Mariani  
3,463,427 A 8/1969 Fisher  
3,486,200 A 12/1969 Orenick  
3,488,813 A 1/1970 Kohke  
3,490,104 A 1/1970 Kabel  
3,590,442 A 7/1971 Geisinger  
3,654,669 A 4/1972 Fulton  
3,660,869 A 5/1972 Caveney et al.  
3,717,906 A 2/1973 Wells  
3,731,347 A 5/1973 Caveney et al.  
3,816,878 A 6/1974 Fulton et al.  
3,872,547 A 3/1975 Caveney et al.  
3,906,593 A 9/1975 Caveney et al.  
3,908,233 A 9/1975 Caveney et al.  
3,949,449 A 4/1976 Caveney et al.  
3,965,538 A 6/1976 Caveney et al.  
3,991,444 A 11/1976 Bailey  
3,996,646 A 12/1976 Caveney  
4,001,898 A 1/1977 Caveney  
4,092,765 A 6/1978 Joyce  
4,128,919 A 12/1978 Bulanda et al.

FOREIGN PATENT DOCUMENTS

FR 2136843 12/1972  
GB 2188362 12/1987

*Primary Examiner*—Holly Baynham  
(74) *Attorney, Agent, or Firm*—Robert A. McCann;  
Christopher S. Clancy

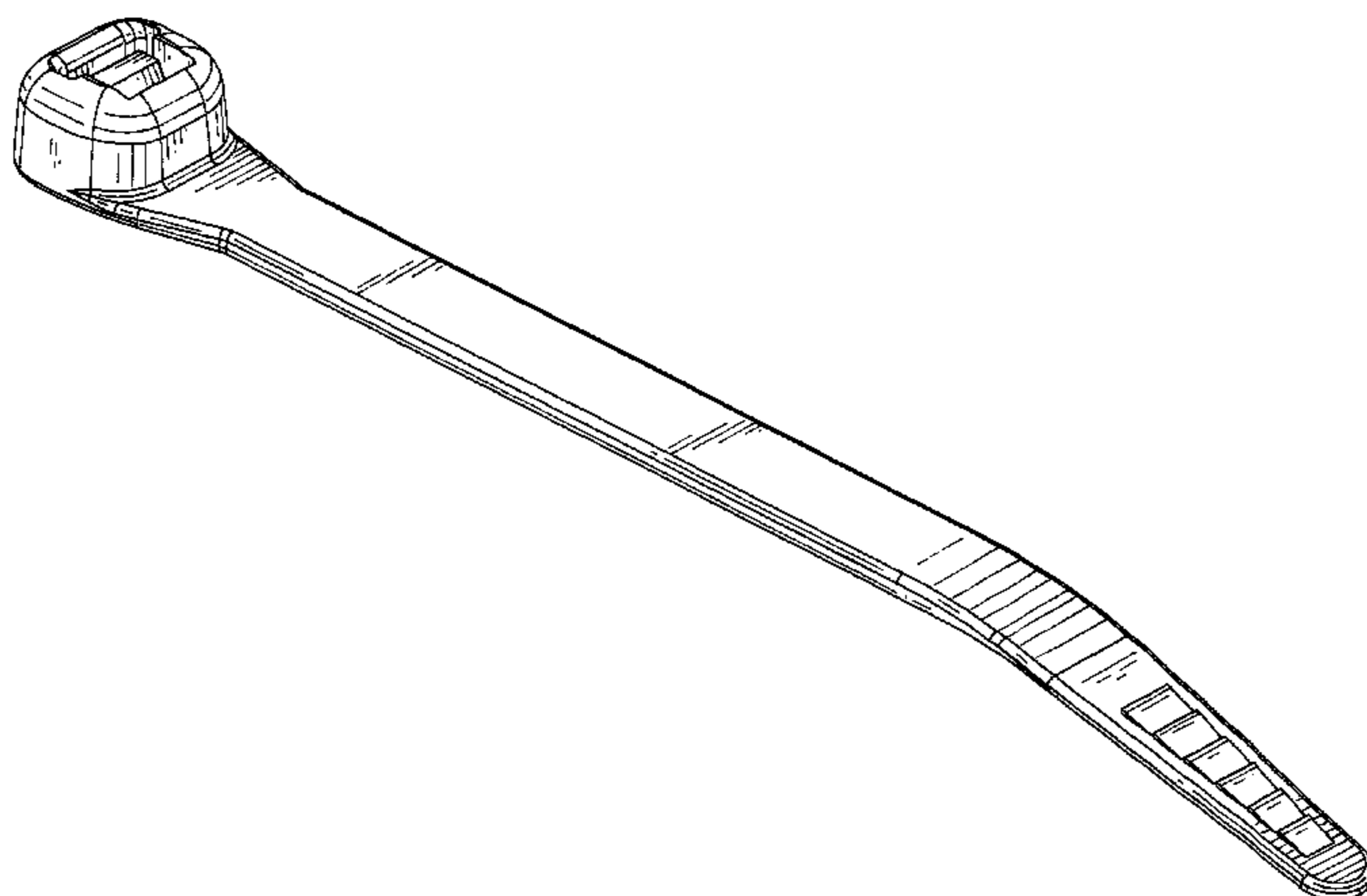
(57) **CLAIM**

The ornamental design for a cable tie, as shown and described.

**DESCRIPTION**

FIG. 1 is a top left front perspective view of a cable tie showing our new design;  
FIG. 2 is a top right rear perspective view thereof;  
FIG. 3 is a bottom left rear perspective view thereof;  
FIG. 4 is a left side view, with the right side view a mirror image thereof;  
FIG. 5 is a top view thereof;  
FIG. 6 is a bottom view thereof;  
FIG. 7 is a rear view thereof; and,  
FIG. 8 is a front view thereof.

**1 Claim, 3 Drawing Sheets**



# US D530,600 S

Page 2

## U.S. PATENT DOCUMENTS

5,159,728 A	11/1992	Bingold	5,815,891 A	10/1998	Students et al.
5,193,250 A	3/1993	Caveney	5,890,265 A	4/1999	Christian et al.
5,193,251 A	3/1993	Fortsch	6,076,234 A	6/2000	Khokhar et al.
5,263,231 A	11/1993	Sorensen et al.	D444,054 S *	6/2001	Bernard et al. .... D8/396
5,267,373 A	12/1993	Chisek	6,279,203 B1 *	8/2001	Hundley et al. .... 24/16 PB
5,295,285 A	3/1994	Shely	D459,206 S	6/2002	Caveney et al.
5,317,787 A	6/1994	Fortsch	6,473,942 B1	11/2002	Caveney et al.
D369,960 S	5/1996	Rohaly et al.	6,477,746 B1	11/2002	Axelsson
D370,172 S	5/1996	Rohaly	6,484,367 B1	11/2002	Caveney et al.
5,517,727 A	5/1996	Bernard et al.	D471,435 S *	3/2003	Krisel et al. .... D8/396
5,517,728 A	5/1996	Woods	6,526,628 B1	3/2003	Caveney et al.
D372,665 S	8/1996	Kim	6,530,126 B1	3/2003	Caveney et al.
5,584,452 A	12/1996	Koike	6,532,631 B1	3/2003	Rohaly et al.
5,630,252 A	5/1997	Wells	6,560,822 B1	5/2003	Caveney et al.
D380,375 S	7/1997	Rohaly et al.	6,584,652 B1	7/2003	Caveney et al.
5,669,111 A *	9/1997	Rohaly ..... 24/16 PB	6,647,596 B1	11/2003	Caveney
5,685,048 A	11/1997	Benoit	6,668,427 B1	12/2003	Bulanda et al.
D389,051 S	1/1998	Caveney et al.	6,745,439 B1	6/2004	Brownlee et al.
5,774,944 A	7/1998	Choi	2003/0163904 A1	9/2003	O'Young et al.
5,781,975 A	7/1998	Wells, Jr. et al.			

\* cited by examiner

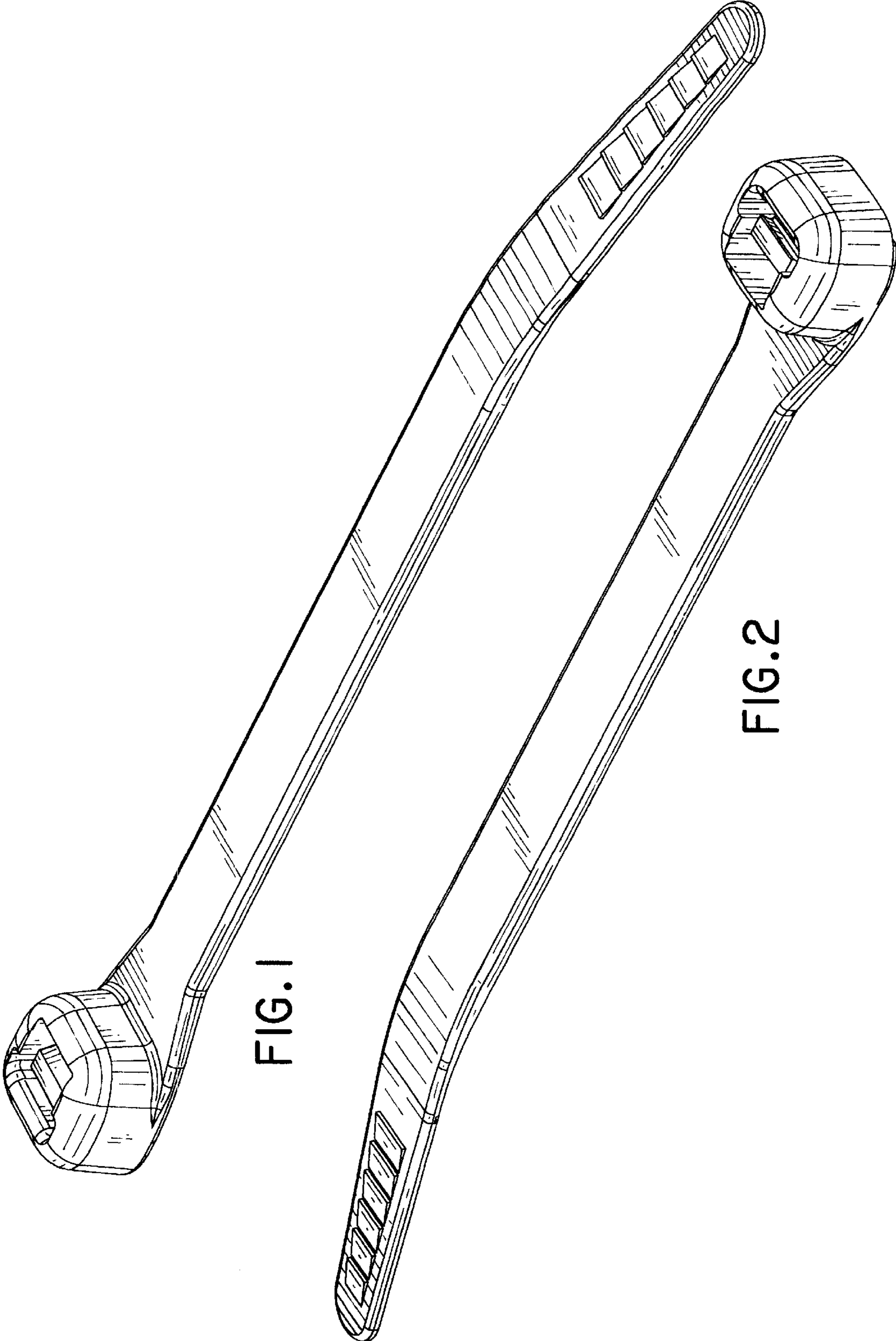


FIG. 1

FIG. 2

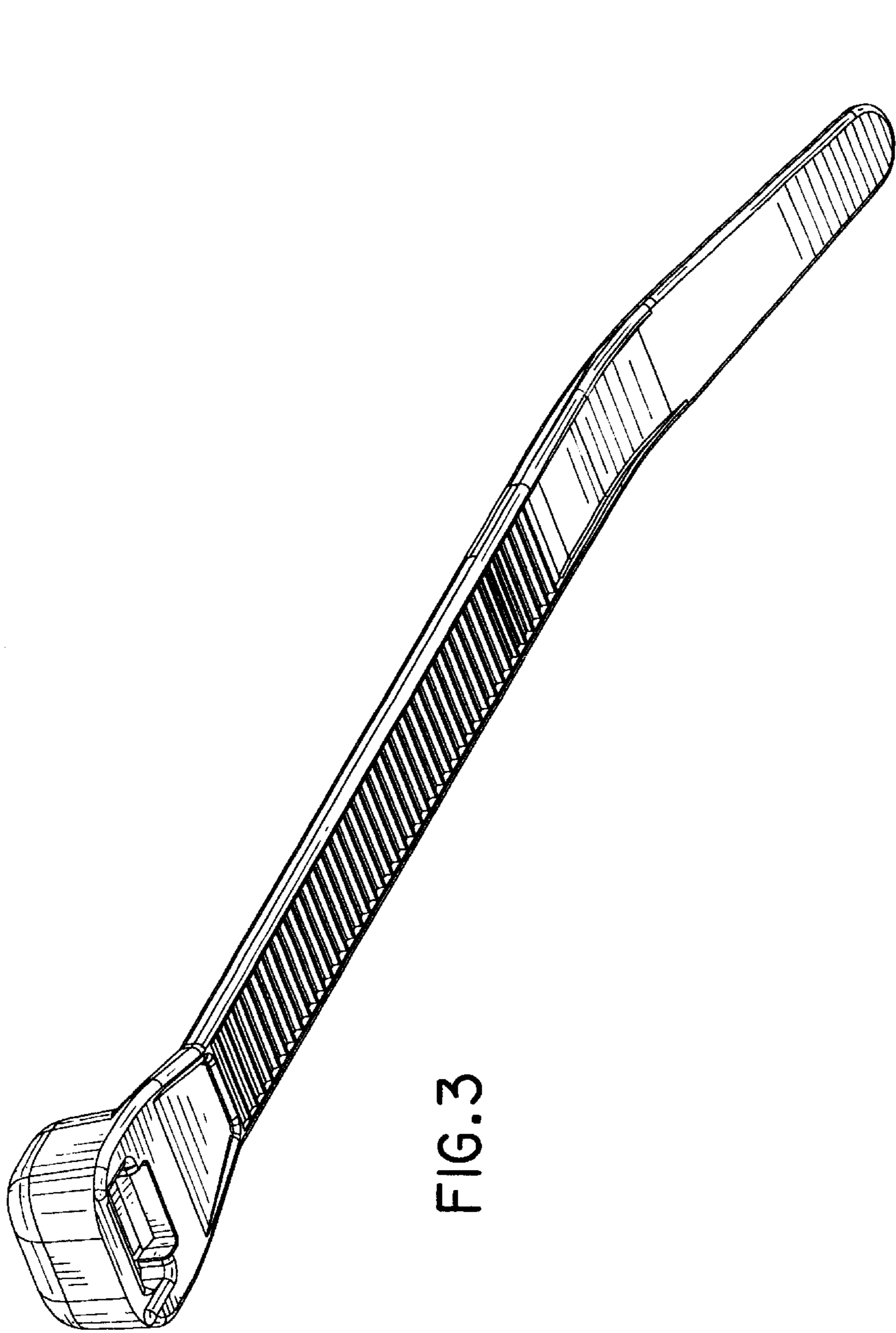


FIG. 3

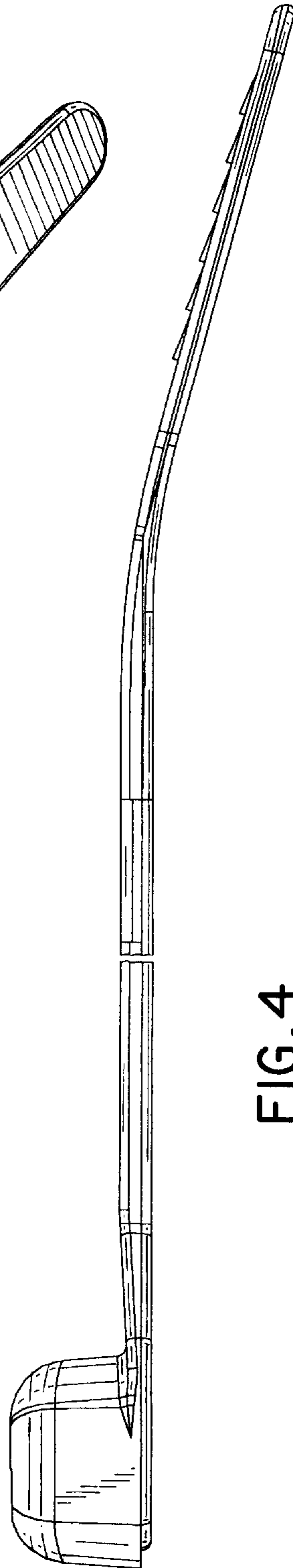


FIG. 4

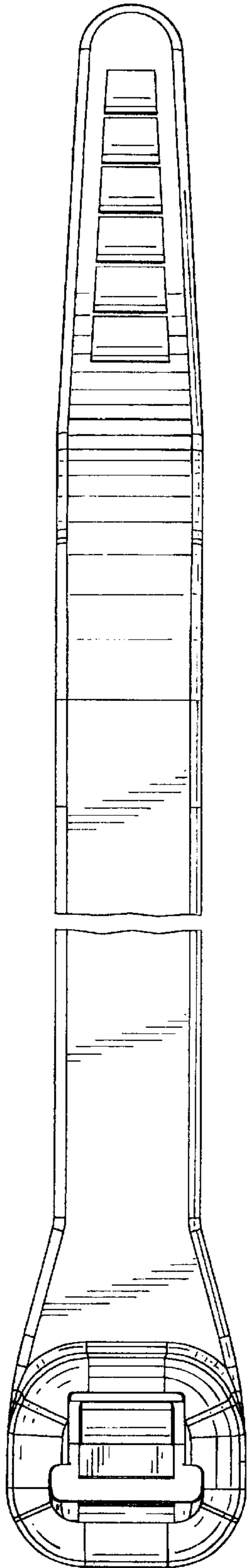


FIG. 5

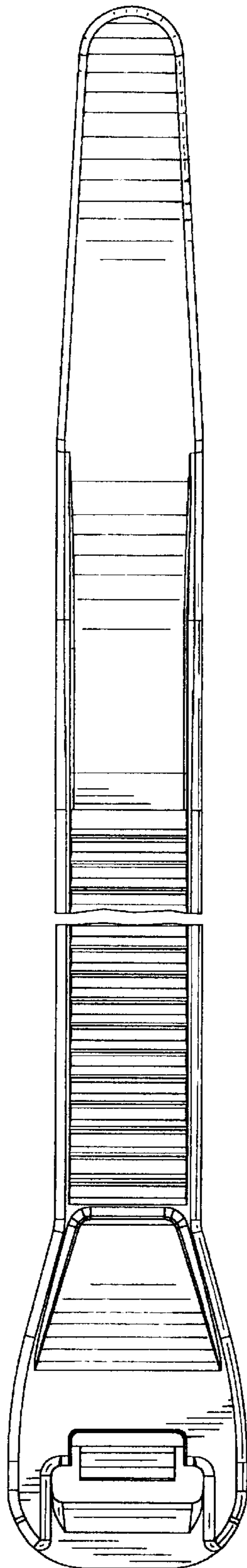


FIG. 6

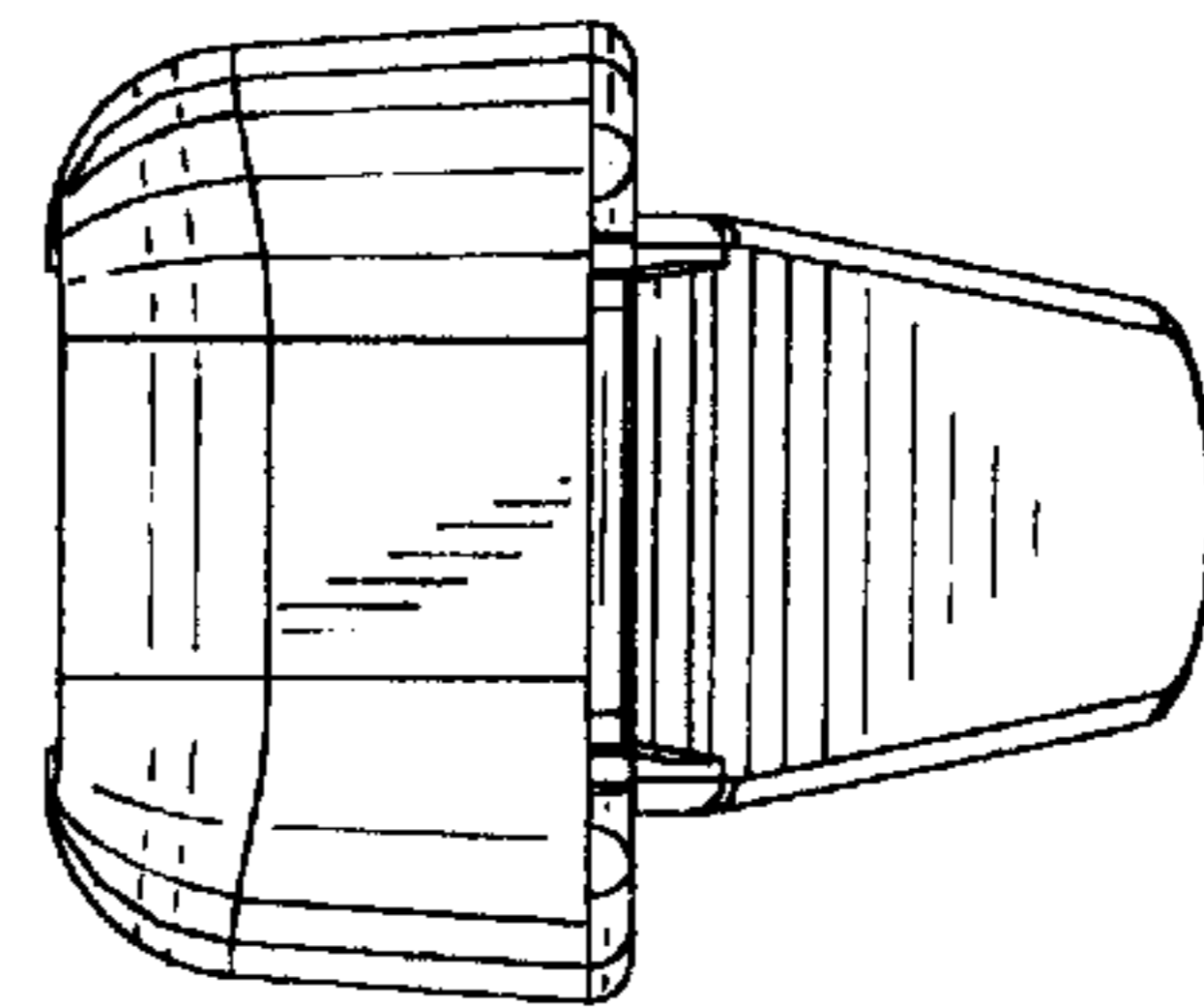


FIG. 7

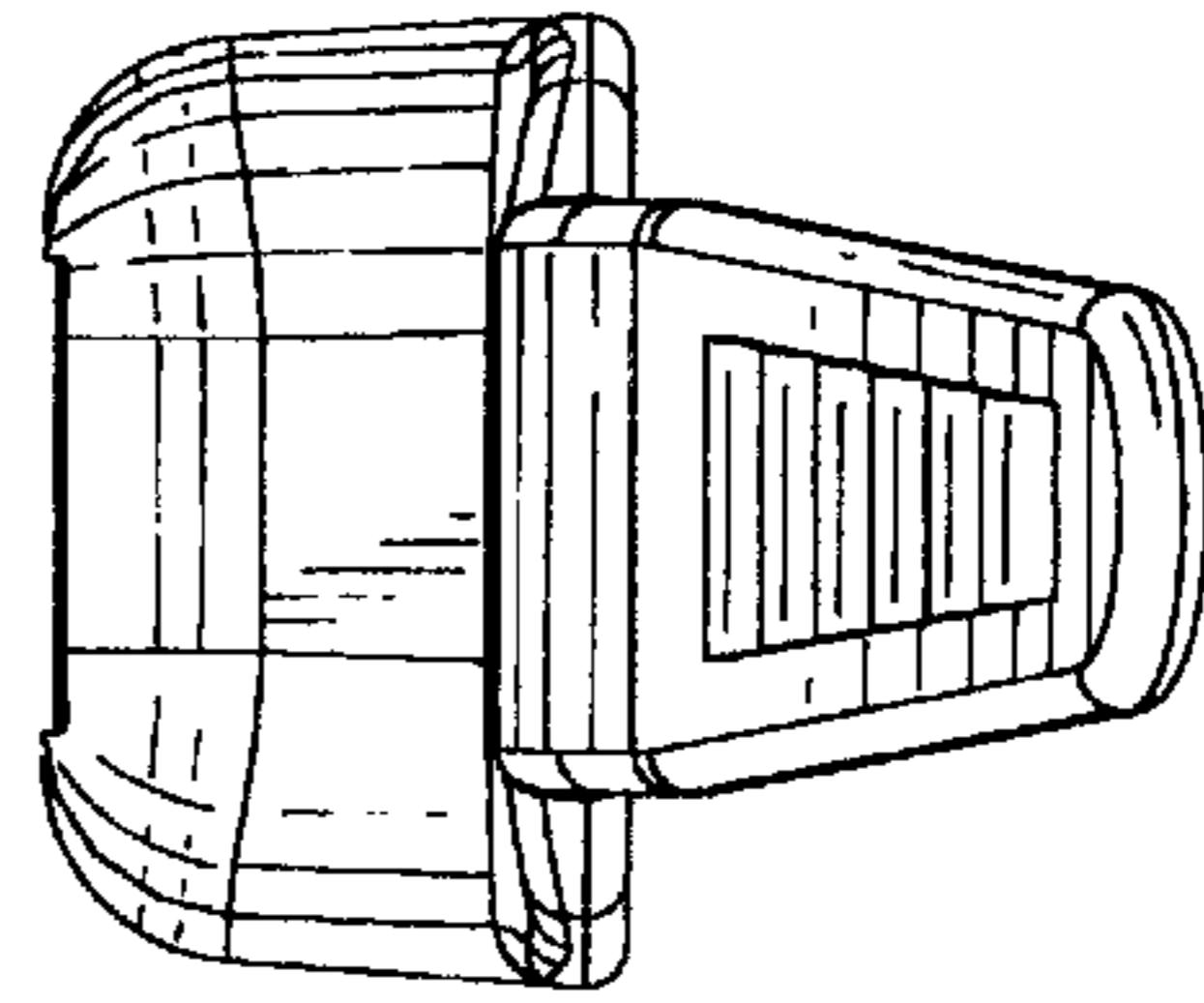


FIG. 8