

US00D530599S

(12) **United States Design Patent**
Martin

(10) **Patent No.:** **US D530,599 S**

(45) **Date of Patent:** **** Oct. 24, 2006**

(54) **FLASHLIGHT CLIP**

(75) **Inventor:** **Richard W. Martin**, San Antonio, TX
(US)

(73) **Assignee:** **Lightstick Partners, LLC**, San
Antonio, TX (US)

(**) **Term:** **14 Years**

(21) **Appl. No.:** **29/241,184**

(22) **Filed:** **Oct. 25, 2005**

(51) **LOC (8) Cl.** **08-08**

(52) **U.S. Cl.** **D8/395**

(58) **Field of Classification Search** D8/356,
D8/371, 394-396, 499, 53, 100, 365; D12/51;
D19/65, 90; D28/39, 40, 42; 24/546, 563,
24/910, 327, 334, DIG. 8, DIG. 9, DIG. 13,
24/DIG. 28; 248/74.2, 300, 301, 316.7, 229.26
See application file for complete search history.

(56) **References Cited**

U.S. PATENT DOCUMENTS

D272,412 S * 1/1984 Shanklin D8/343
D274,419 S * 6/1984 Burwell D12/51

D300,089 S * 3/1989 Edwards D6/323
6,056,415 A * 5/2000 Allred et al. 362/202
D450,873 S * 11/2001 Opolka D26/49

* cited by examiner

Primary Examiner—Louis S. Zarfaz

Assistant Examiner—John Windmuller

(74) *Attorney, Agent, or Firm*—Christopher L. Makay

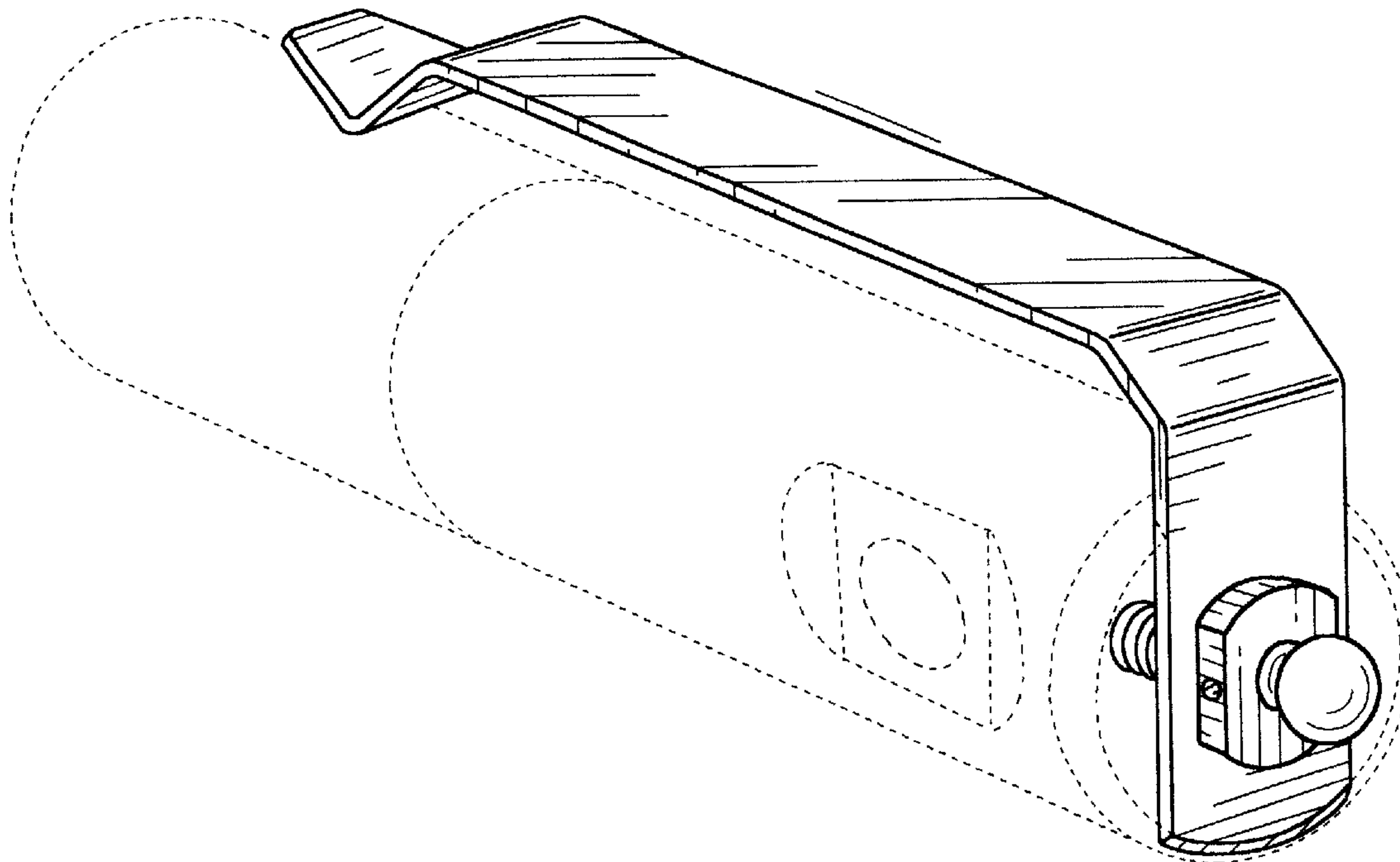
(57) **CLAIM**

The ornamental design for a flashlight clip, as shown and described.

DESCRIPTION

FIG. 1 is a top perspective view of a flashlight clip showing my new design;
FIG. 2 is a top plan view thereof; and
FIG. 3 is a front elevational view thereof;
FIG. 4 is a right side elevational view thereof;
FIG. 5 is a bottom plan view thereof;
FIG. 6 is a left side elevational view thereof; and,
FIG. 7 is a rear elevational view thereof.
The broken line showing of a flashlight is for illustrative purposes only and forms no part of the claimed design.

1 Claim, 2 Drawing Sheets



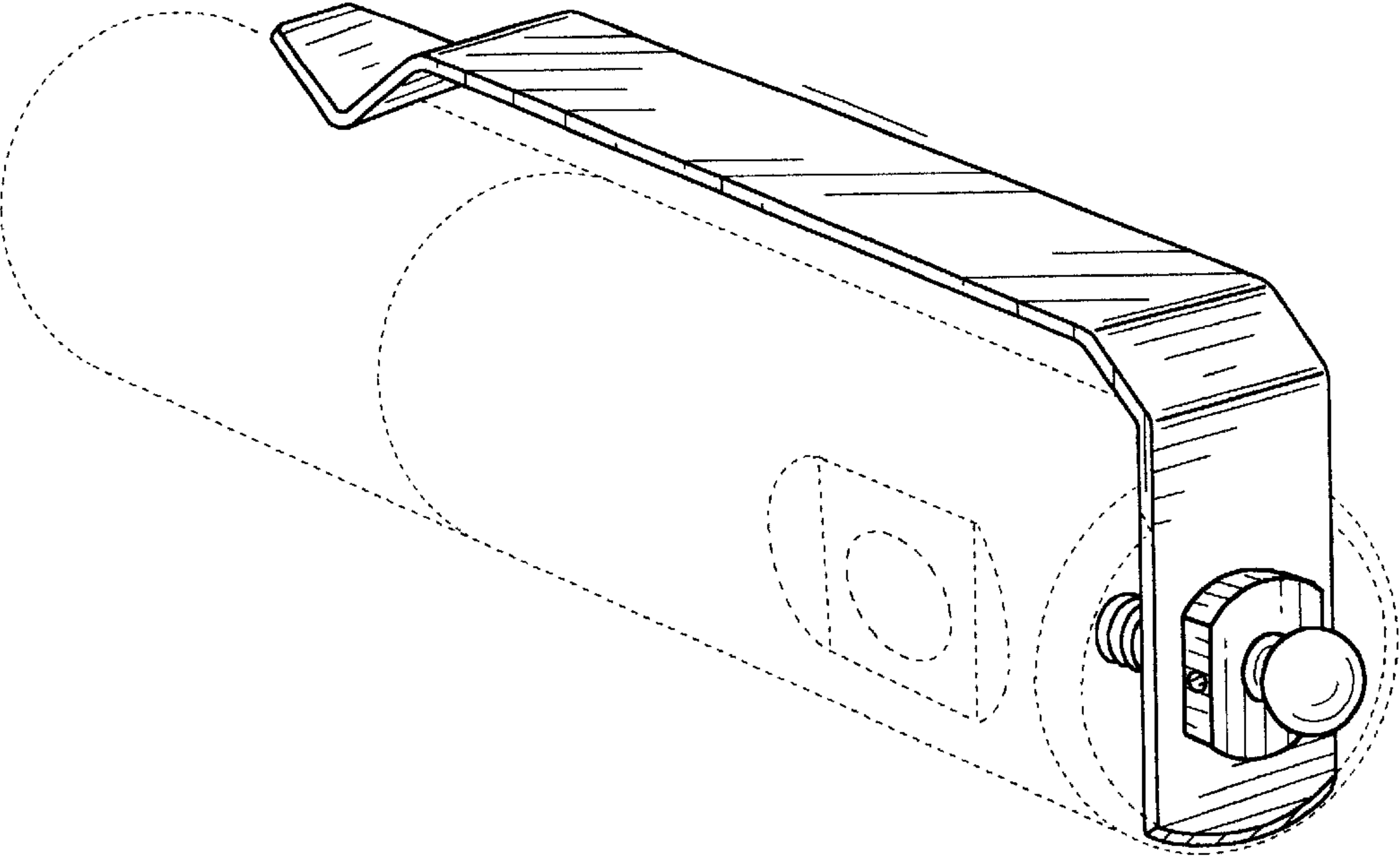


Fig. 1

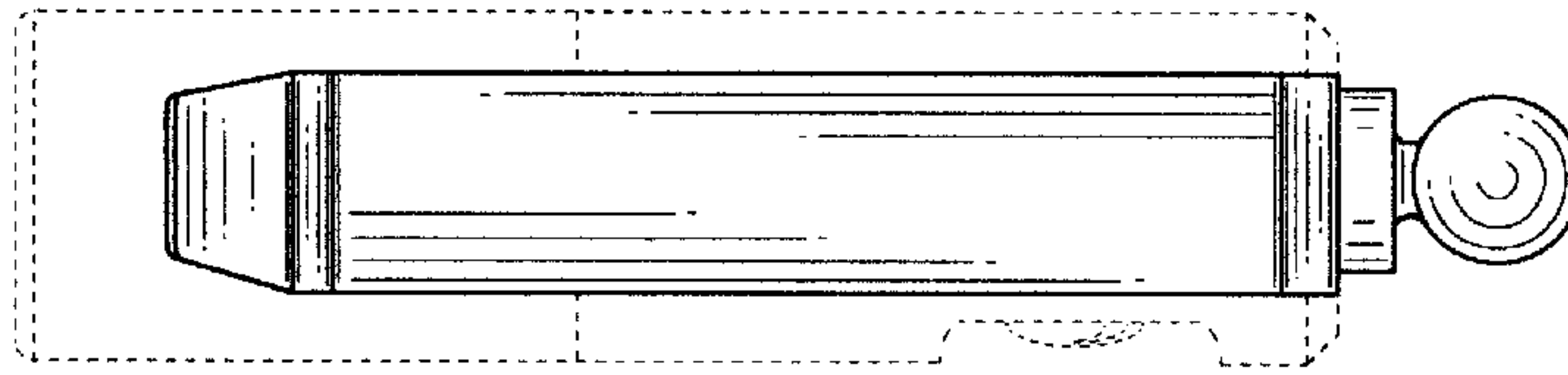


Fig. 2

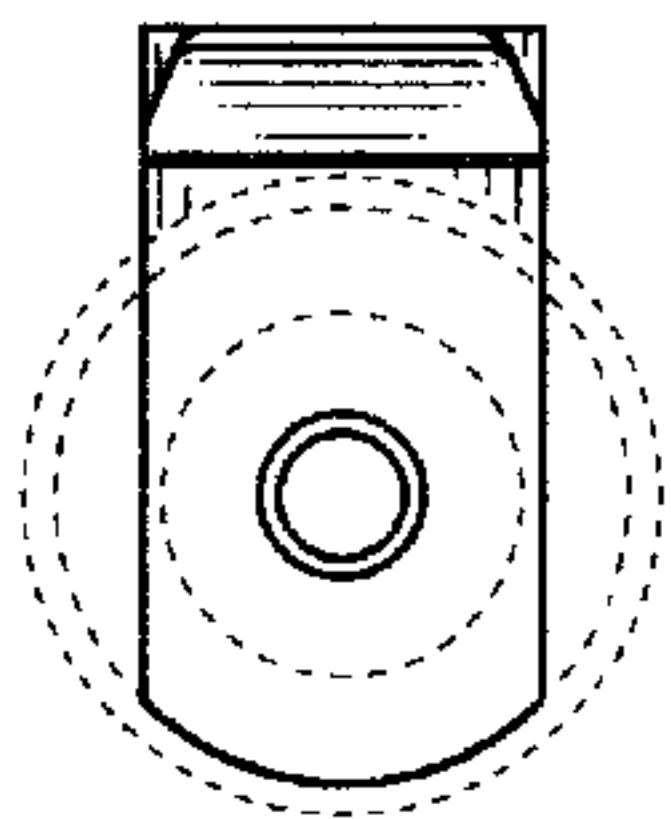


Fig. 3

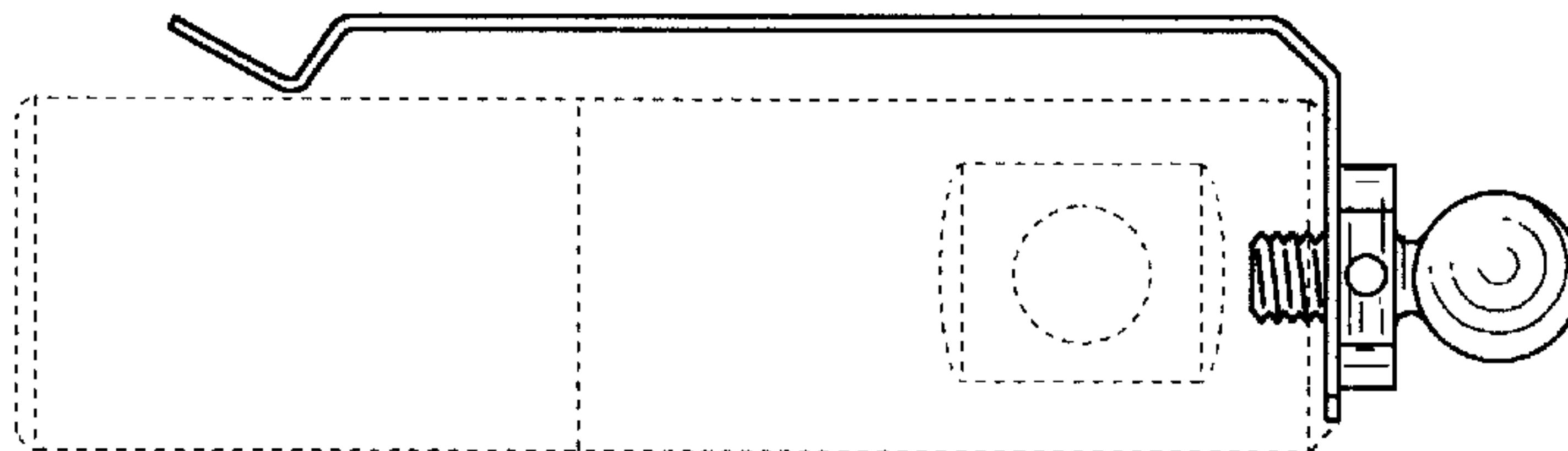


Fig. 4

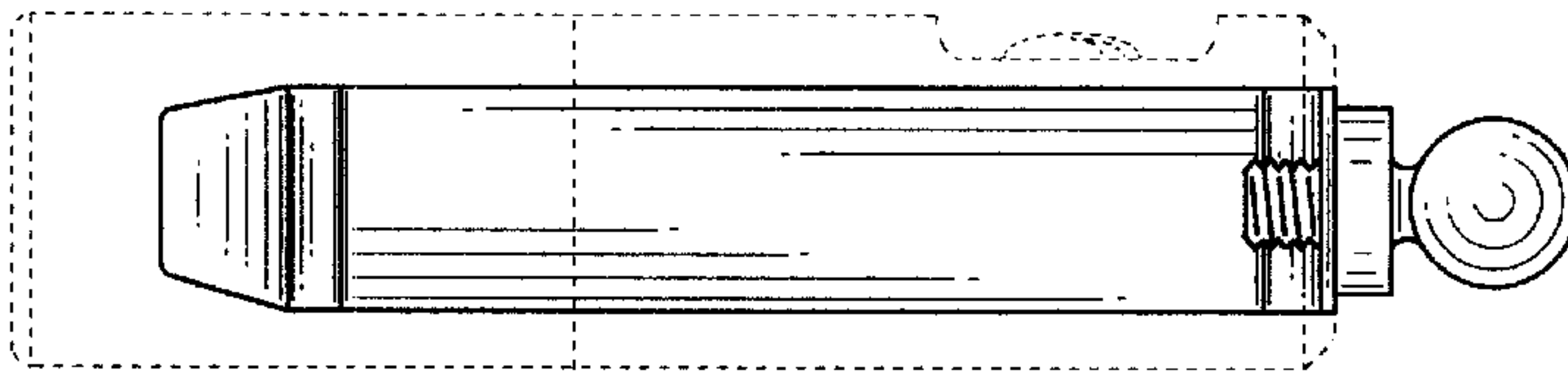


Fig. 5

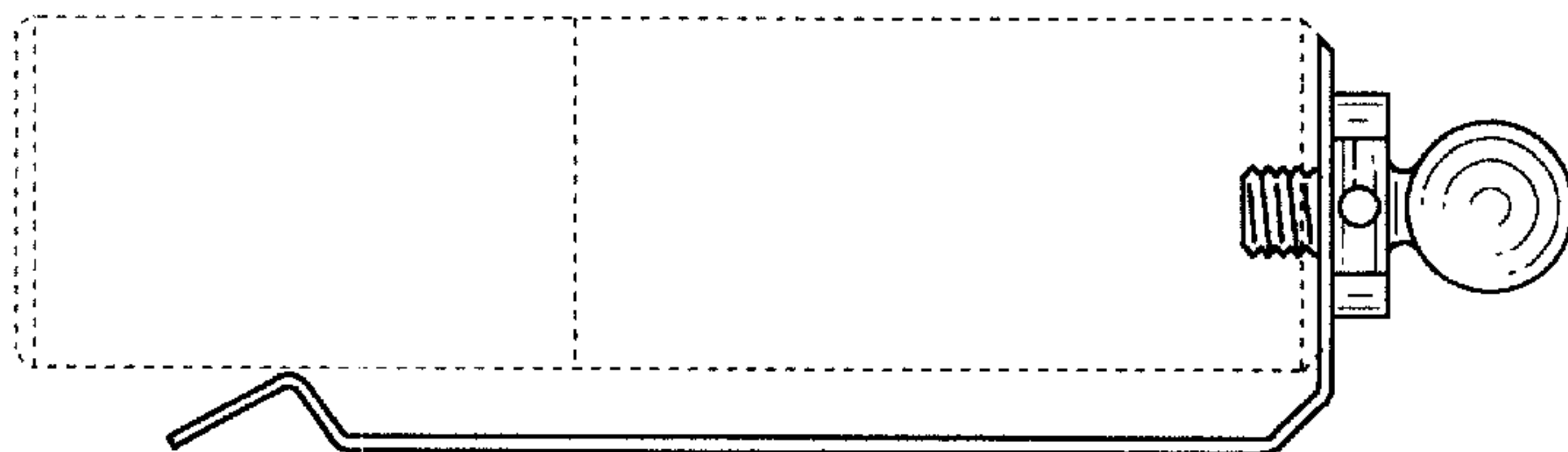


Fig. 6

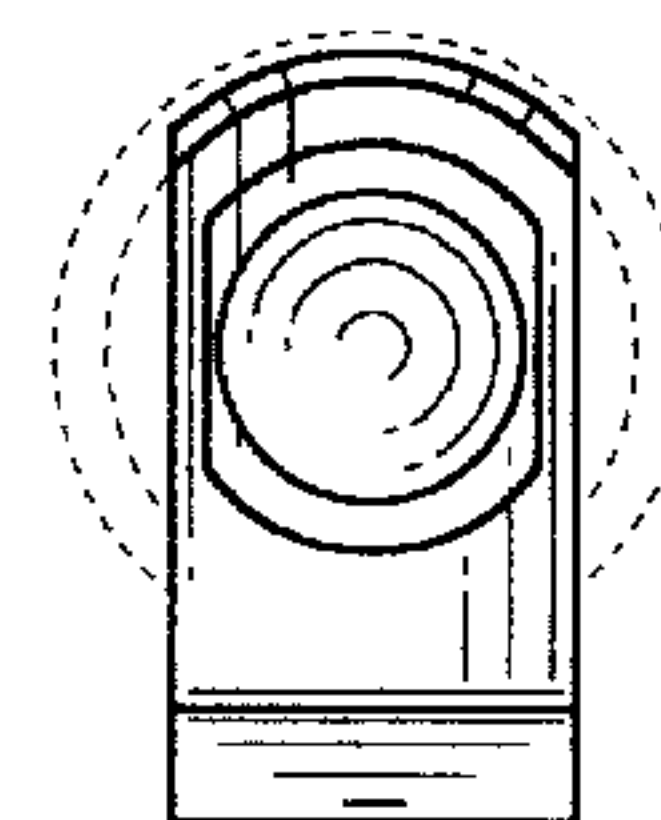


Fig. 7