



US00D530597S

(12) **United States Design Patent**
Zahav

(10) **Patent No.:** **US D530,597 S**

(45) **Date of Patent:** **** Oct. 24, 2006**

(54) **CLIP FOR PACKAGING AND/OR MARKING
POULTRY AND/OR MEAT PRODUCTS**

(76) Inventor: **Ya'acov Meshi Zahav**, 9 Shadikar
Nechum Street, Jerusalem (IL), 97194

(**) Term: **14 Years**

(21) Appl. No.: **29/242,979**

(22) Filed: **Nov. 17, 2005**

(51) **LOC (8) Cl.** **08-08**

(52) **U.S. Cl.** **D8/394; D30/155; D20/22**

(58) **Field of Classification Search** D8/356,
D8/371, 394-396, 499, 53, 100, 365; D12/51;
D19/65, 90; D28/39, 40, 42; 24/546, 563,
24/910, 327, 334, DIG. 8, DIG. 9, DIG. 13,
24/DIG. 28; 248/74.2, 300, 301, 316.7, 229.26;
D30/155; D20/10, 18, 19, 22, 42, 43, 99;
40/300, 301, 302; 119/655, 858; 606/117
See application file for complete search history.

(56) **References Cited**

U.S. PATENT DOCUMENTS

D257,158 S * 9/1980 Olsson D19/65
4,748,757 A * 6/1988 Howe 40/301
5,323,793 A * 6/1994 Lorenzi 132/275
D348,627 S * 7/1994 Kaufman D11/43

5,465,742 A * 11/1995 Dudley 132/279
5,634,480 A * 6/1997 Lu 132/275
D519,687 S * 4/2006 Zahav D30/155

* cited by examiner

Primary Examiner—Louis S. Zarfaz

Assistant Examiner—John Windmuller

(74) *Attorney, Agent, or Firm*—Lewis Brisbois Bisgard &
Smith LLP

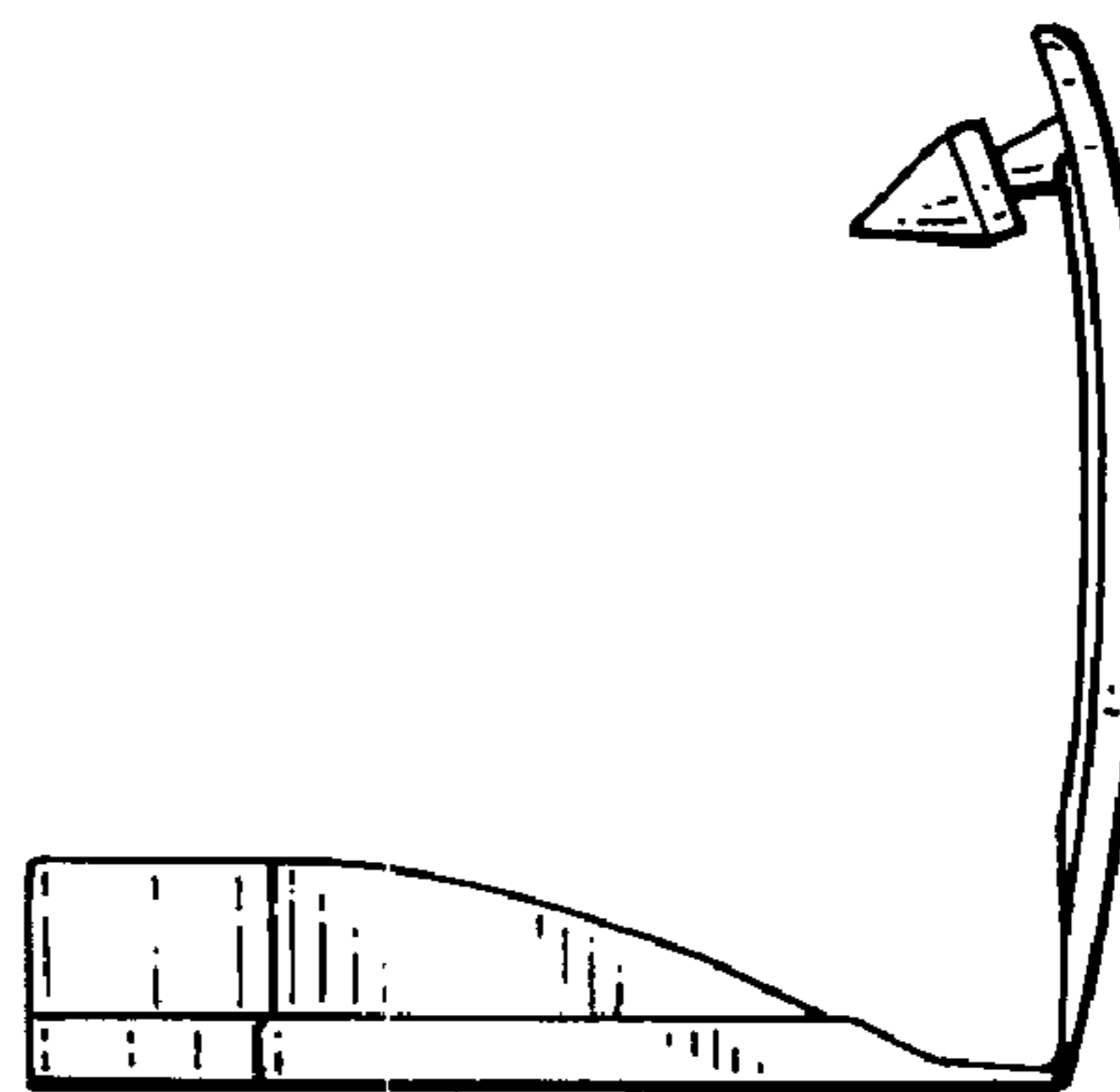
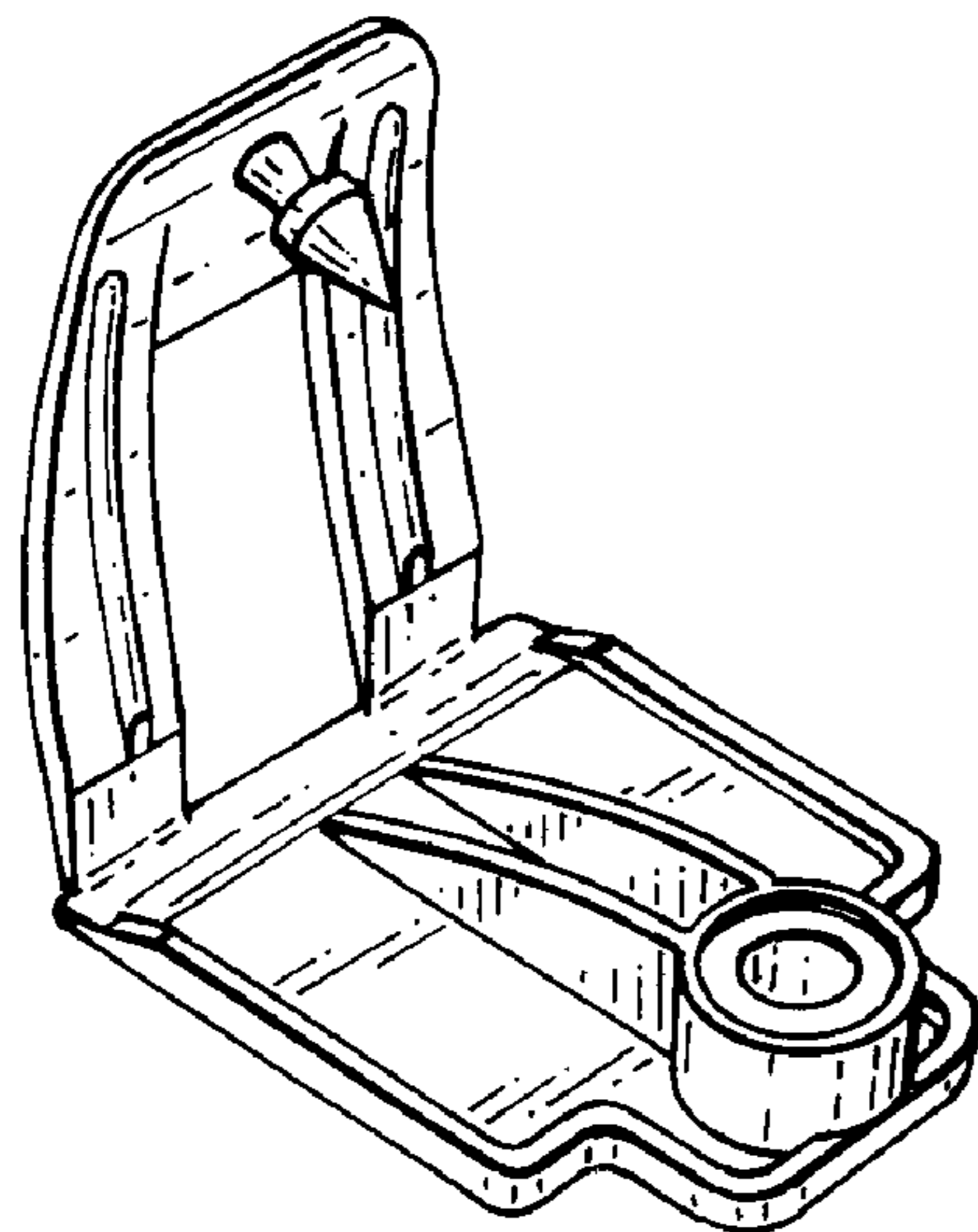
(57) **CLAIM**

The ornamental design for a clip for packaging and or
marking poultry and/or meat products, as shown and
described.

DESCRIPTION

FIG. 1 is a perspective view of a clip for packaging and/or
marking poultry and/or meat products in an open position
showing my new design;
FIG. 2 is a right side elevational view thereof;
FIG. 3 is a front elevational view thereof;
FIG. 4 is a top plan view thereof;
FIG. 5 is a rear elevational view thereof;
FIG. 6 is a right side elevational view thereof in a closed
position; and,
FIG. 7 is a bottom plan view thereof in a closed position.

1 Claim, 1 Drawing Sheet



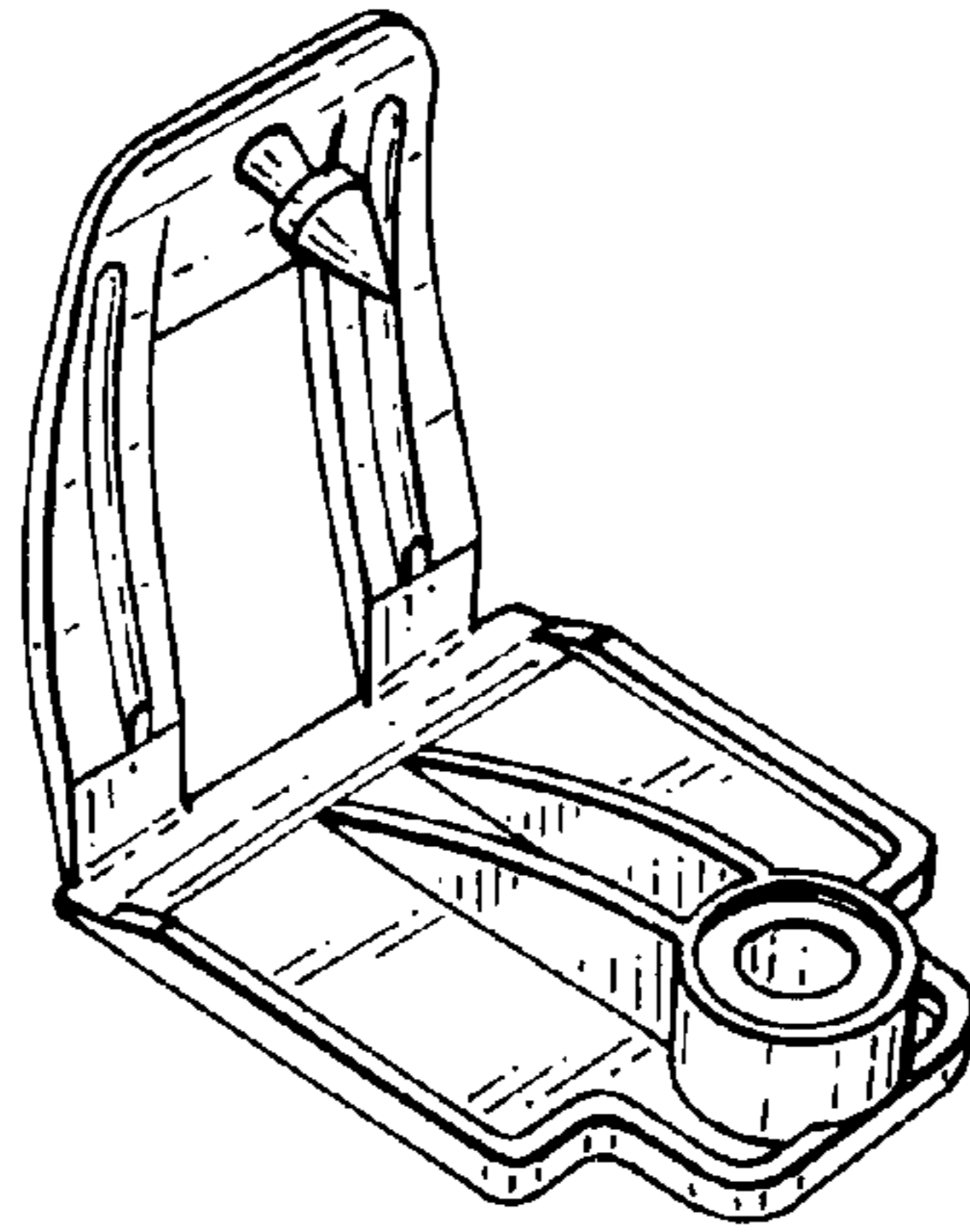


Fig.1.

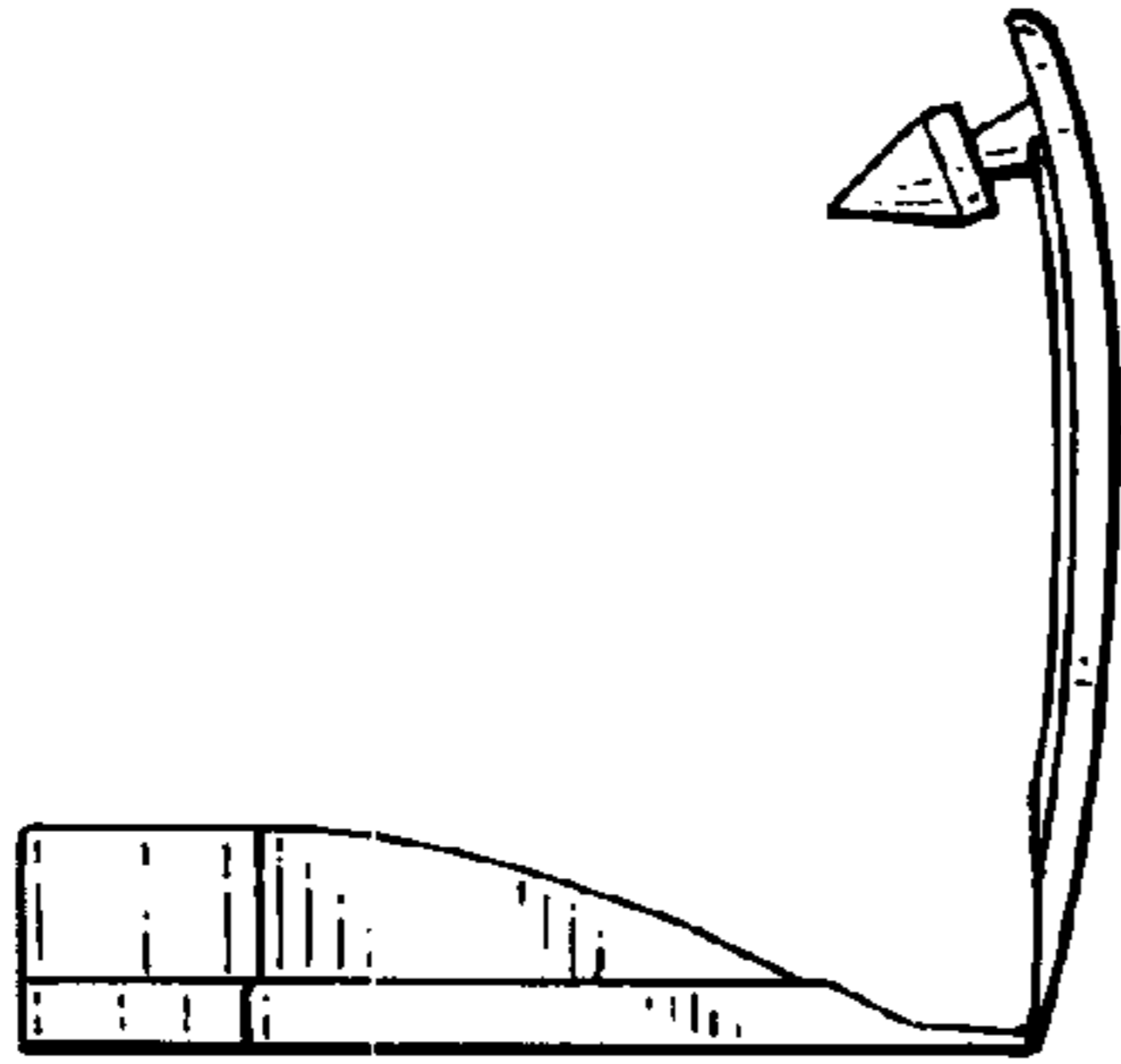


Fig.2.

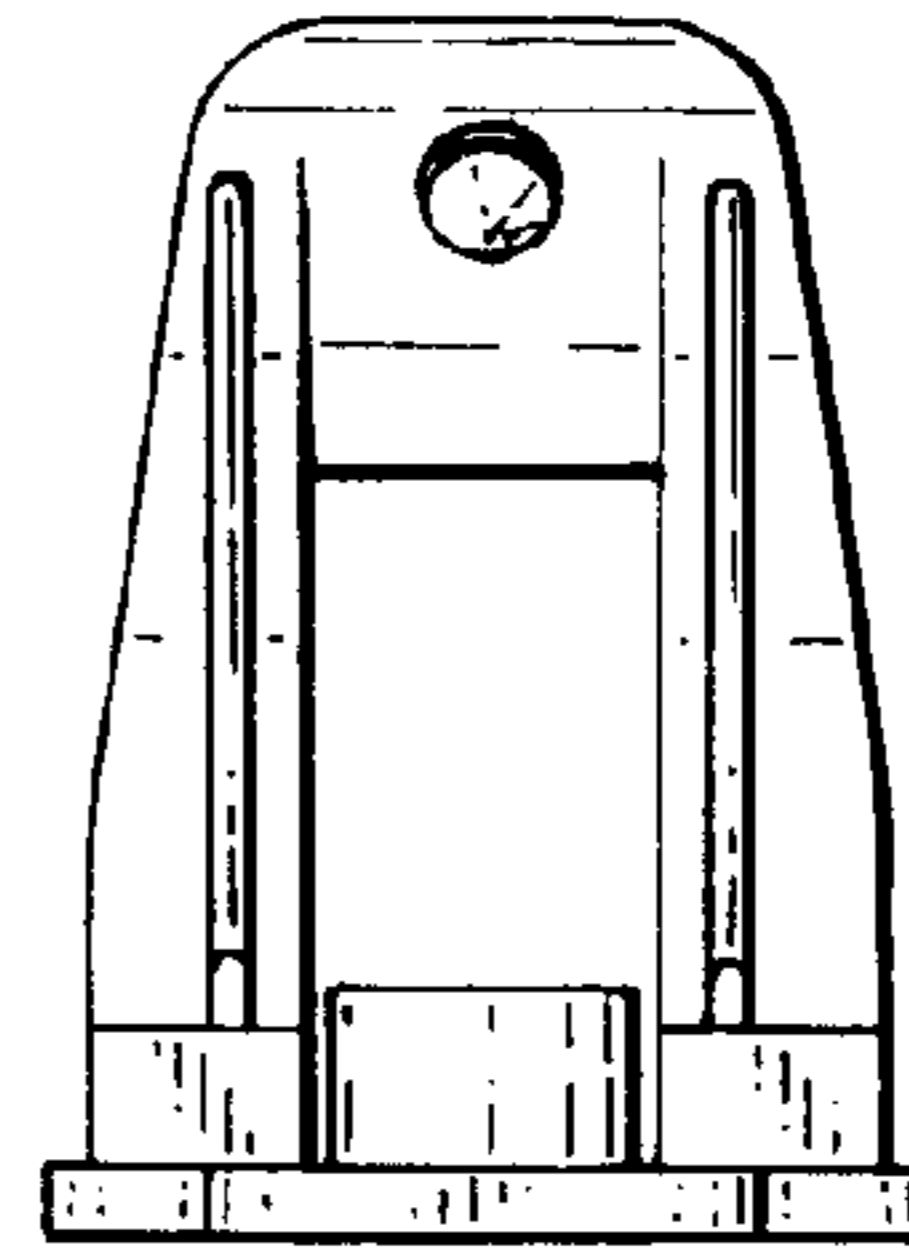


Fig.3.

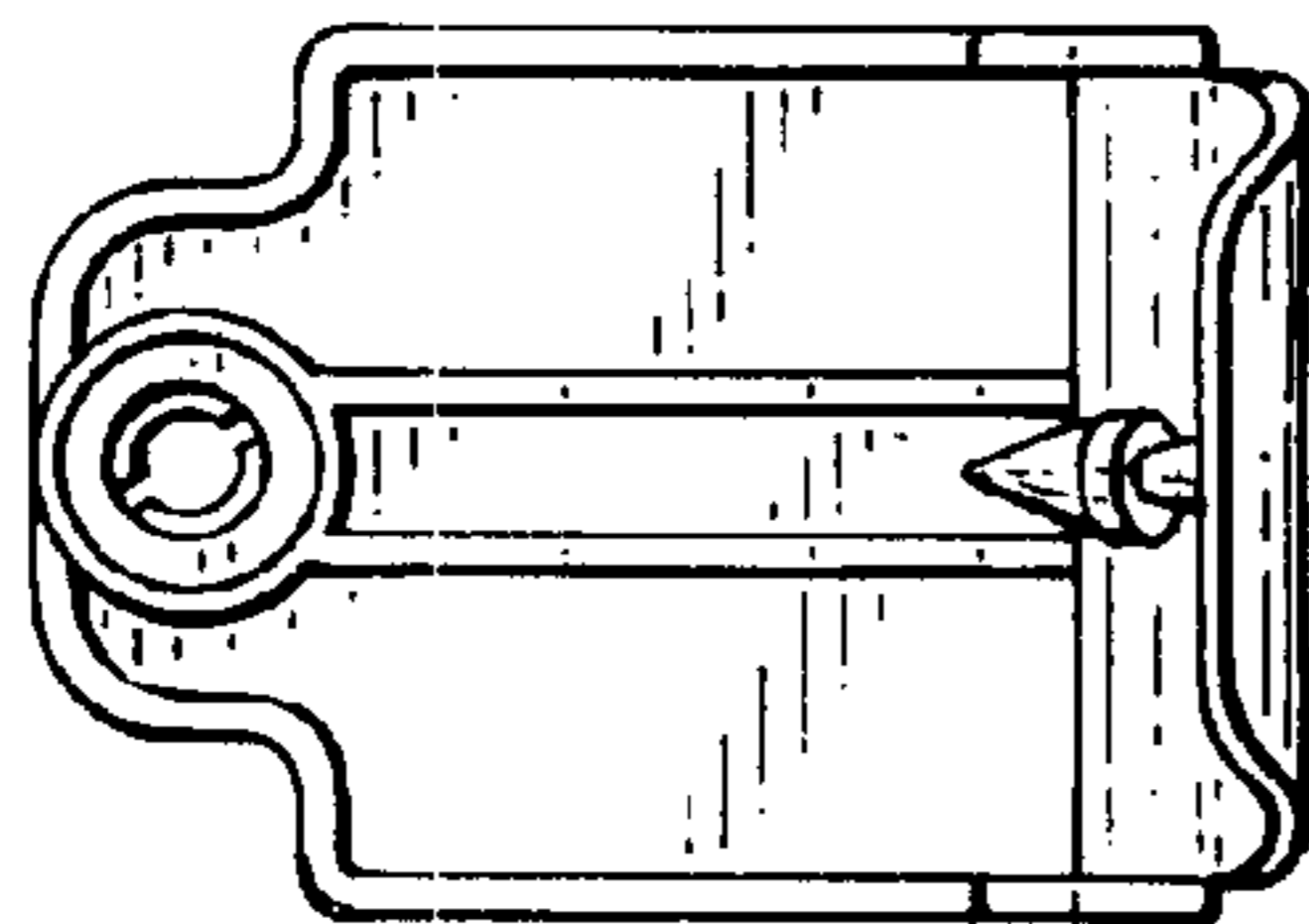


Fig.4.

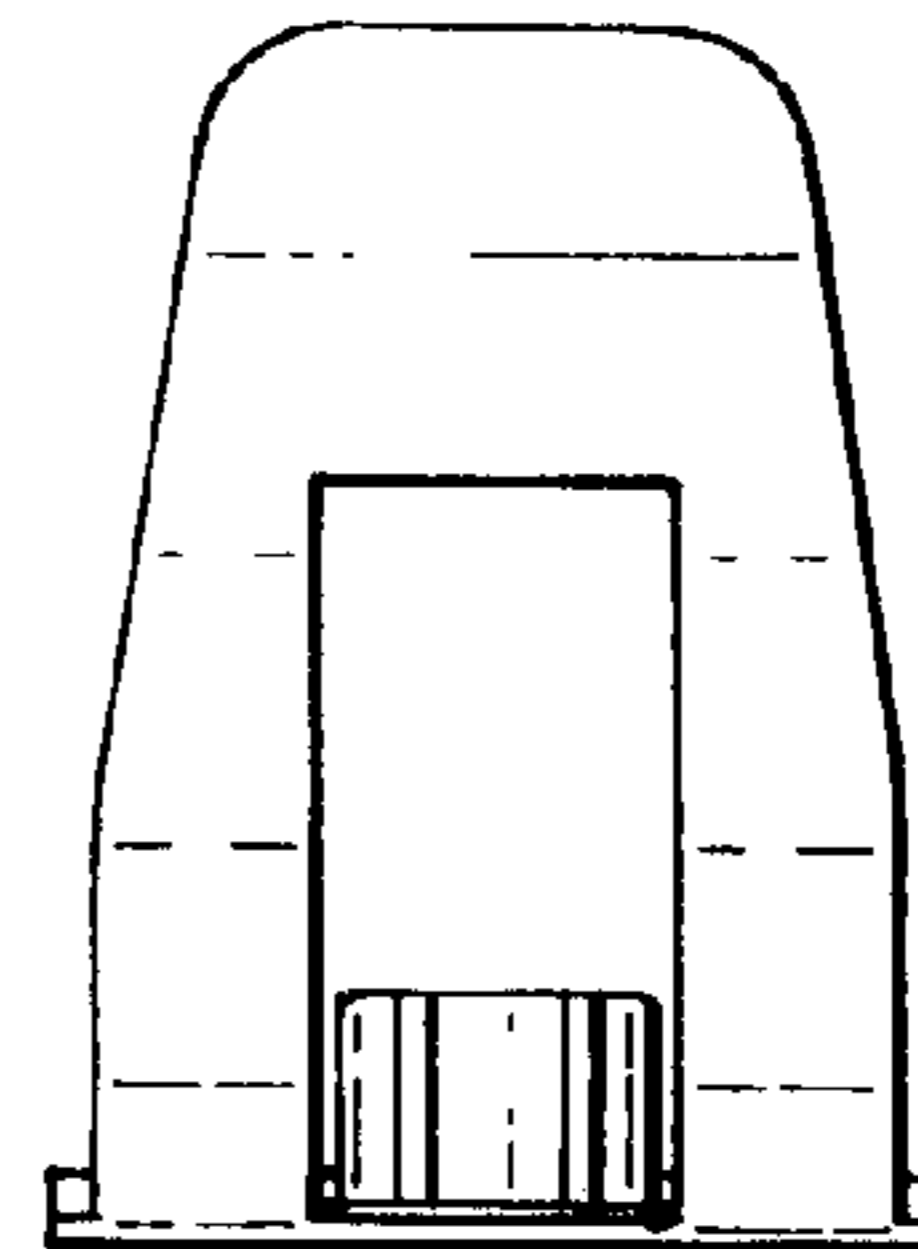


Fig.5.



Fig.6.

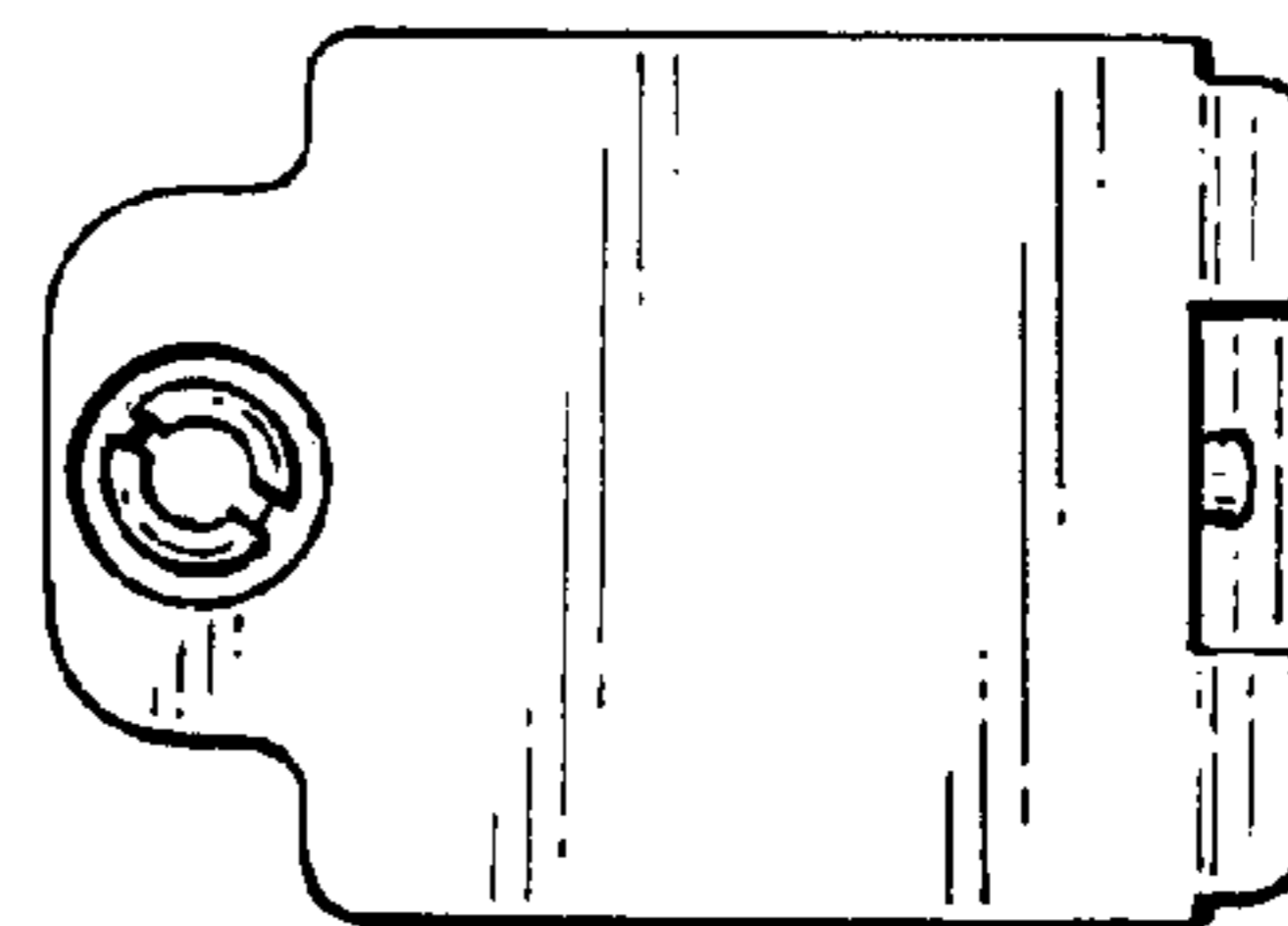


Fig.7.