



US00D530595S

(12) **United States Design Patent**  
**Lam et al.**

(10) **Patent No.:** **US D530,595 S**  
(45) **Date of Patent:** **\*\* Oct. 24, 2006**

(54) **MOUNTING SYSTEM FOR A DISPLAY UNIT**

(75) Inventors: **Derrick Quang Hong Lam**, Cicero, IL (US); **William Phuong Hong Lam**, Cicero, IL (US)

(73) Assignee: **Peerless Industries, Inc.**, Melrose Park, IL (US)

(\*\*) Term: **14 Years**

(21) Appl. No.: **29/213,682**

(22) Filed: **Sep. 21, 2004**

(51) **LOC (8) Cl.** ..... **08-05**

(52) **U.S. Cl.** ..... **D8/373**

(58) **Field of Classification Search** ..... D8/373,  
D8/363, 380; D14/214, 224; 248/284.1  
See application file for complete search history.

(56) **References Cited**

**U.S. PATENT DOCUMENTS**

6,402,109	B1	*	6/2002	Dittmer	.....	248/284.1
D478,088	S		8/2003	Hamouz		
D493,800	S	*	8/2004	Pfister et al.	.....	D14/451
D494,596	S	*	8/2004	Pfister	.....	D14/451
D497,537	S		10/2004	O'Keene et al.		

\* cited by examiner

*Primary Examiner*—Holly Baynham

(74) *Attorney, Agent, or Firm*—Foley & Lardner LLP

(57) **CLAIM**

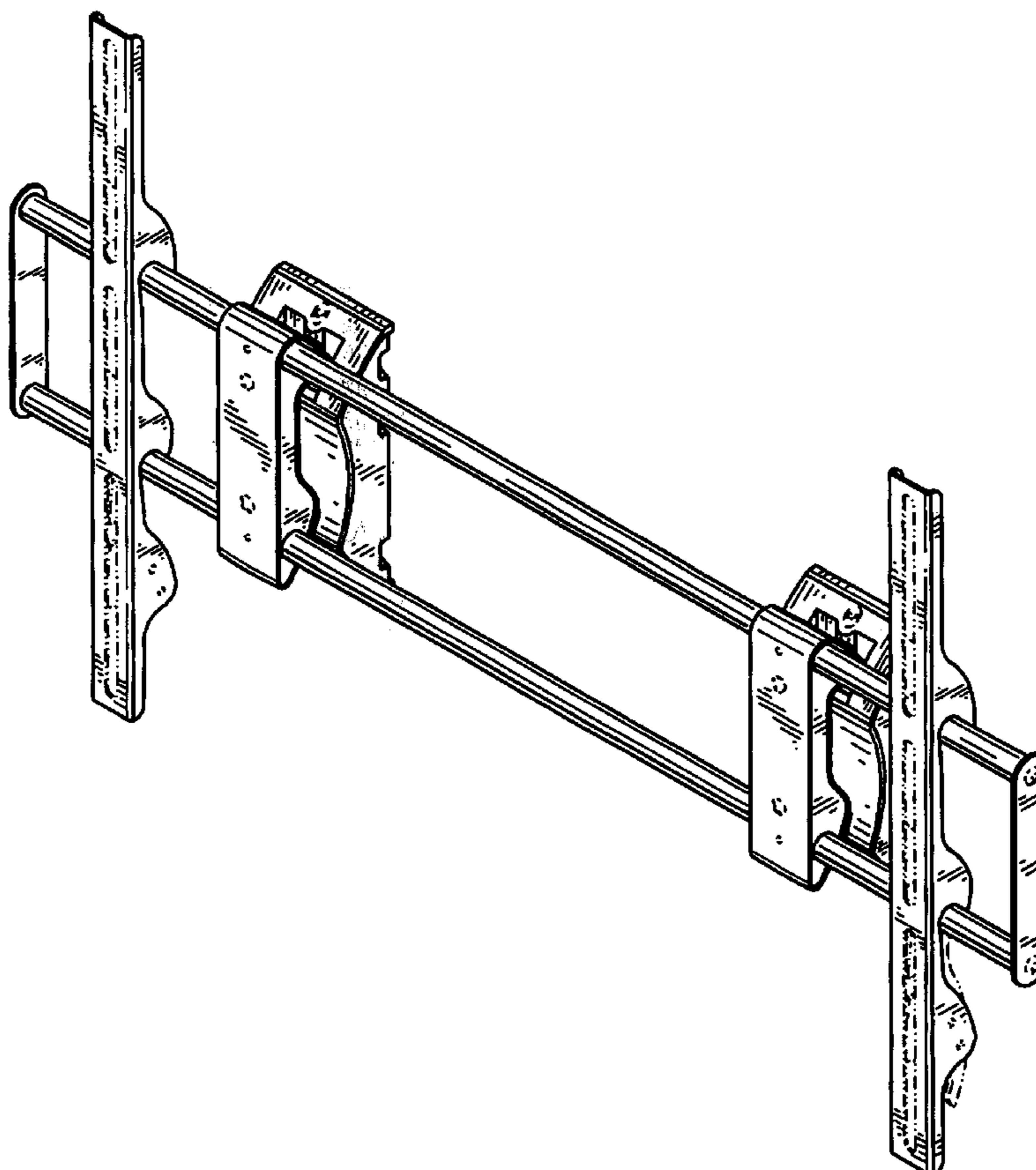
We claim the ornamental design for a mounting system for a display unit, as shown and described.

**DESCRIPTION**

FIG. 1 is a reverse perspective view of a mounting system for a display unit showing our new design; FIG. 2 is a rear view thereof; FIG. 3 is a right view thereof; FIG. 4 is a top view thereof; FIG. 5 is a bottom view thereof; FIG. 6 is a front view thereof; FIG. 7 a reverse perspective view in a second position; FIG. 8 is a rear view in a second position thereof; FIG. 9 is a top view in a second position thereof; FIG. 10 is a bottom view in a second position thereof; and, FIG. 11 is a front view in a second position thereof.

The ornamental design which is claimed is shown in solid lines in the drawings. The broken lines in the drawings are for illustrative purposes only and form no part of the claimed design.

**1 Claim, 8 Drawing Sheets**



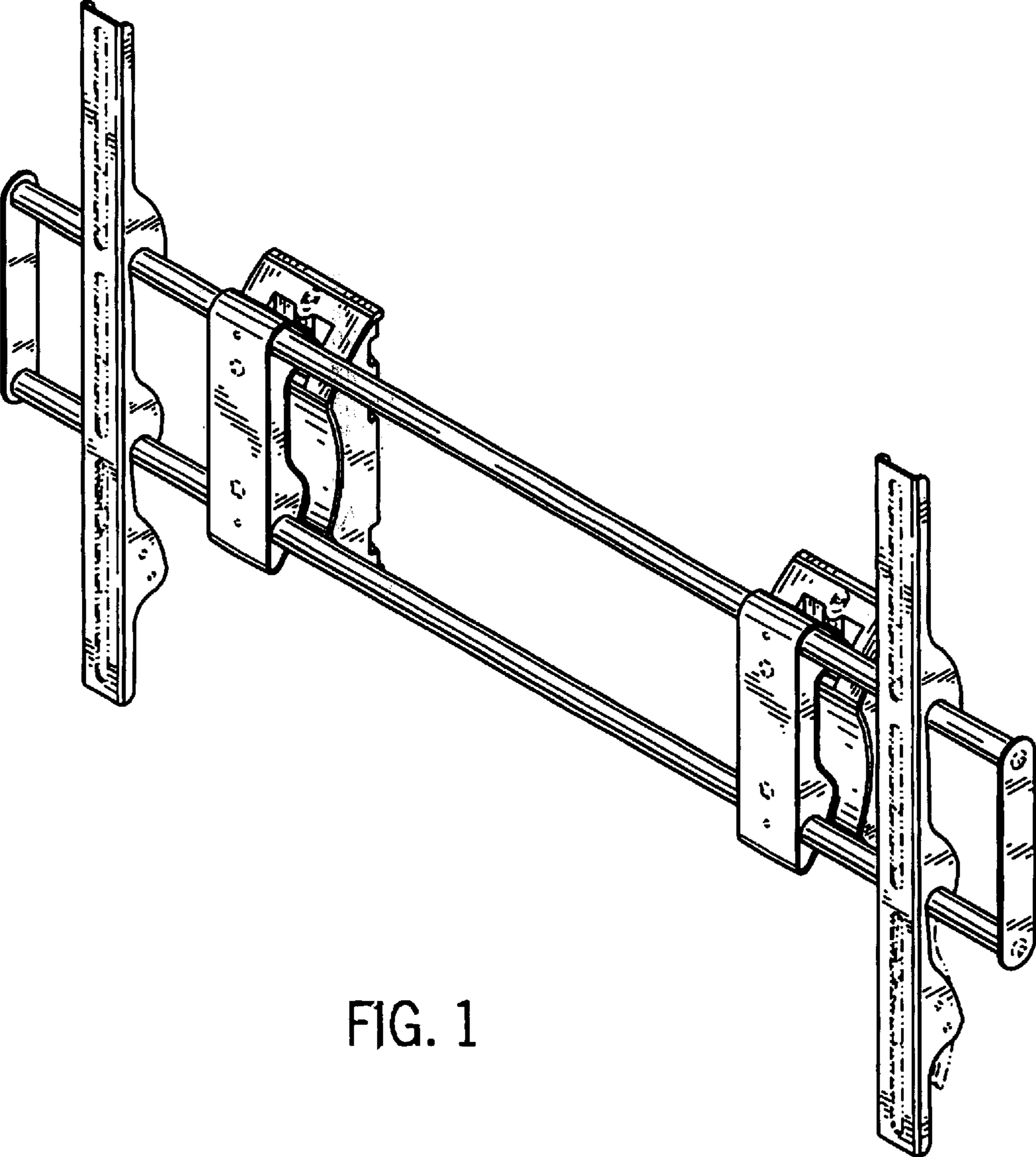


FIG. 1

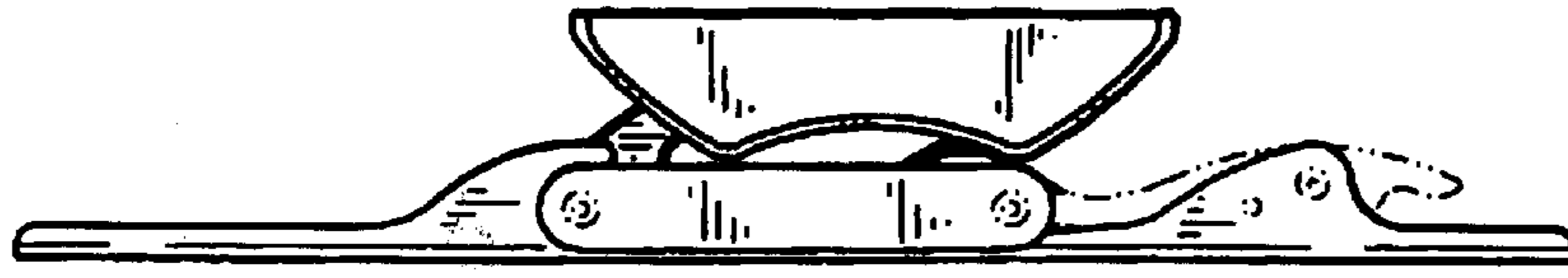


FIG. 3

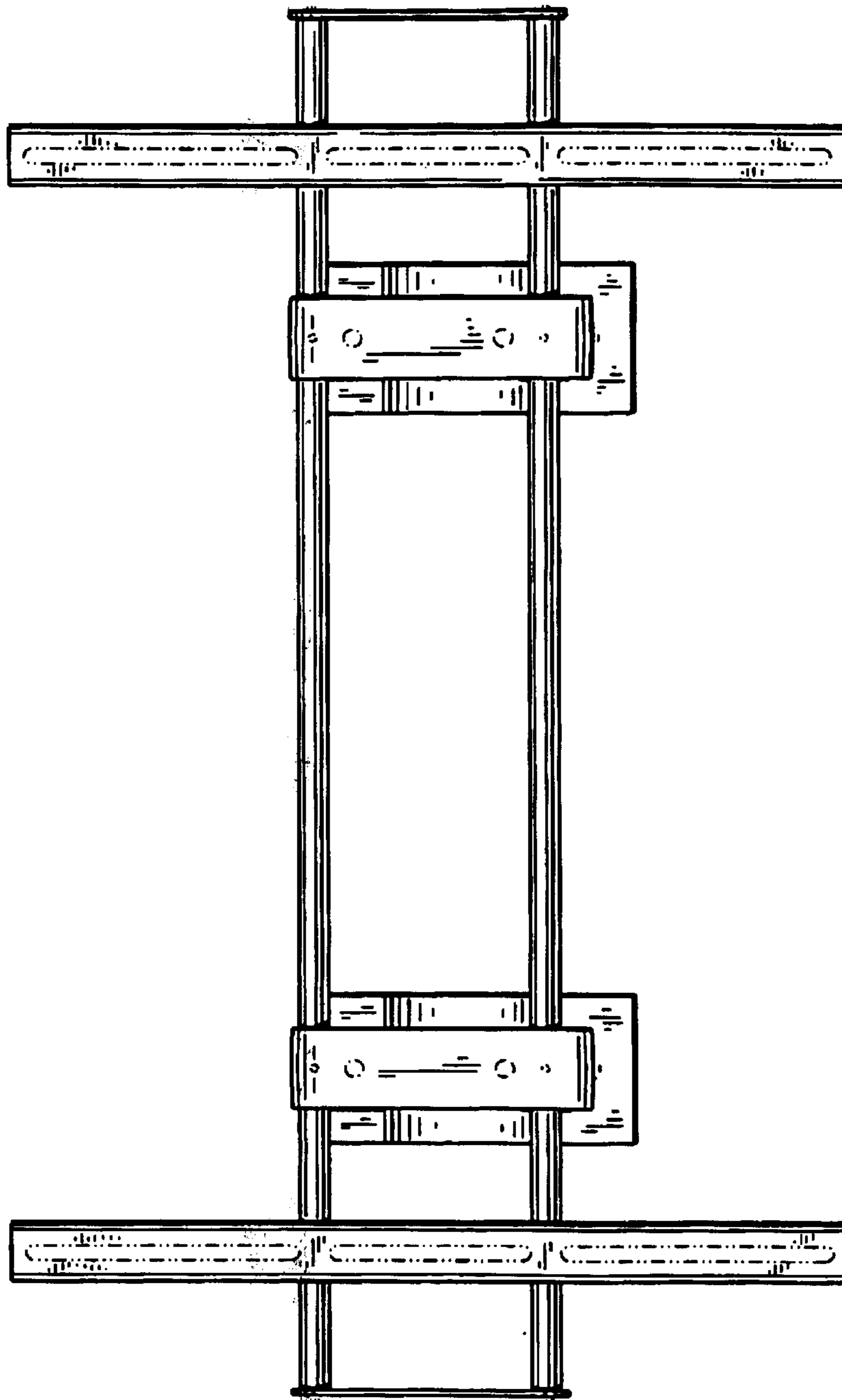


FIG. 2

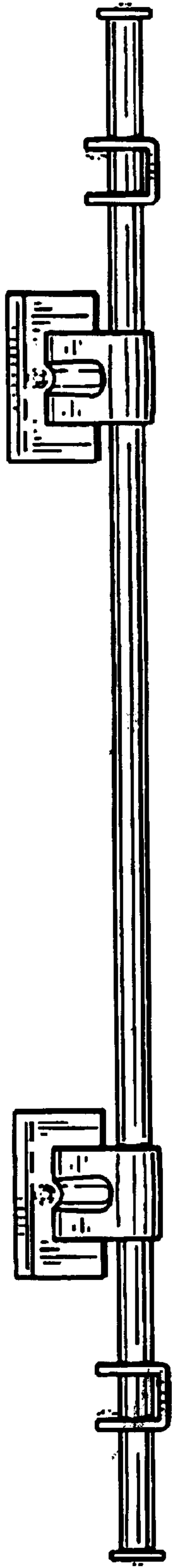


FIG. 4

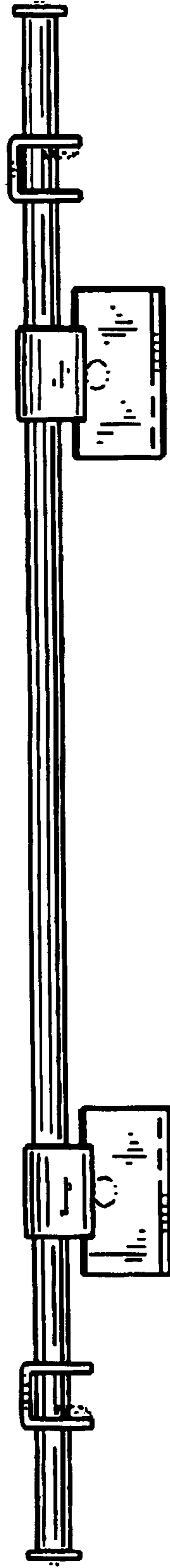


FIG. 5

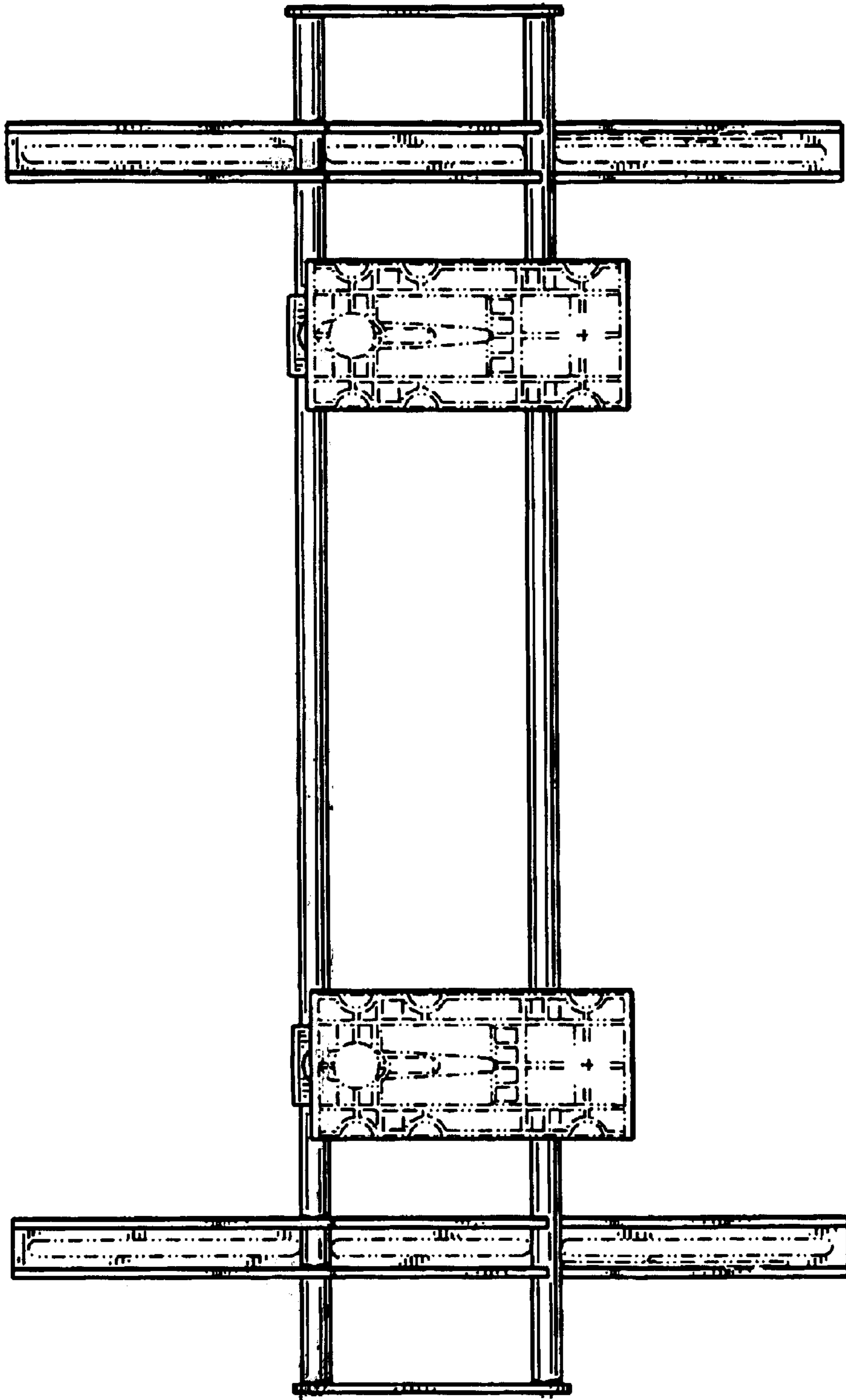


FIG. 6

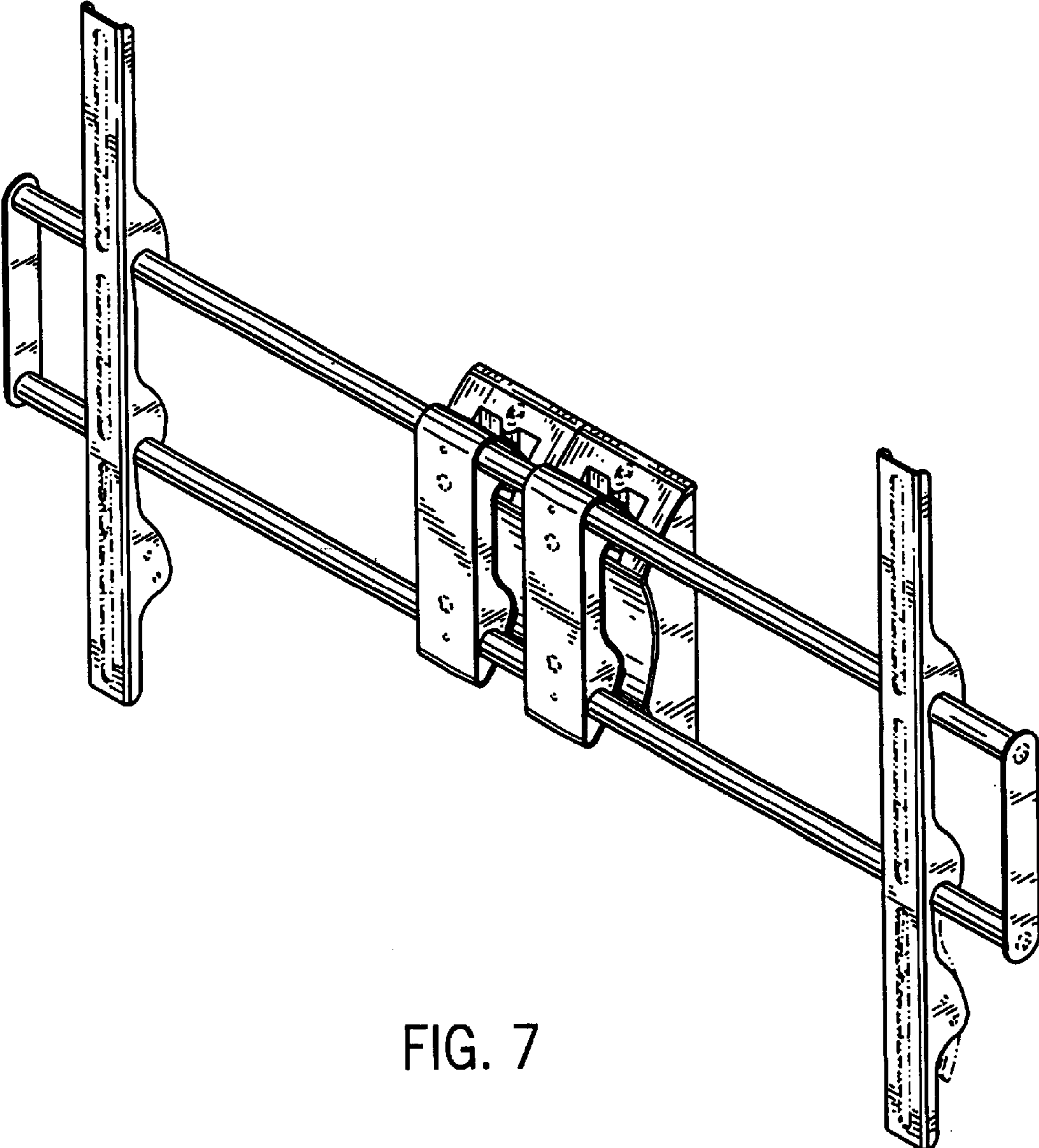


FIG. 7

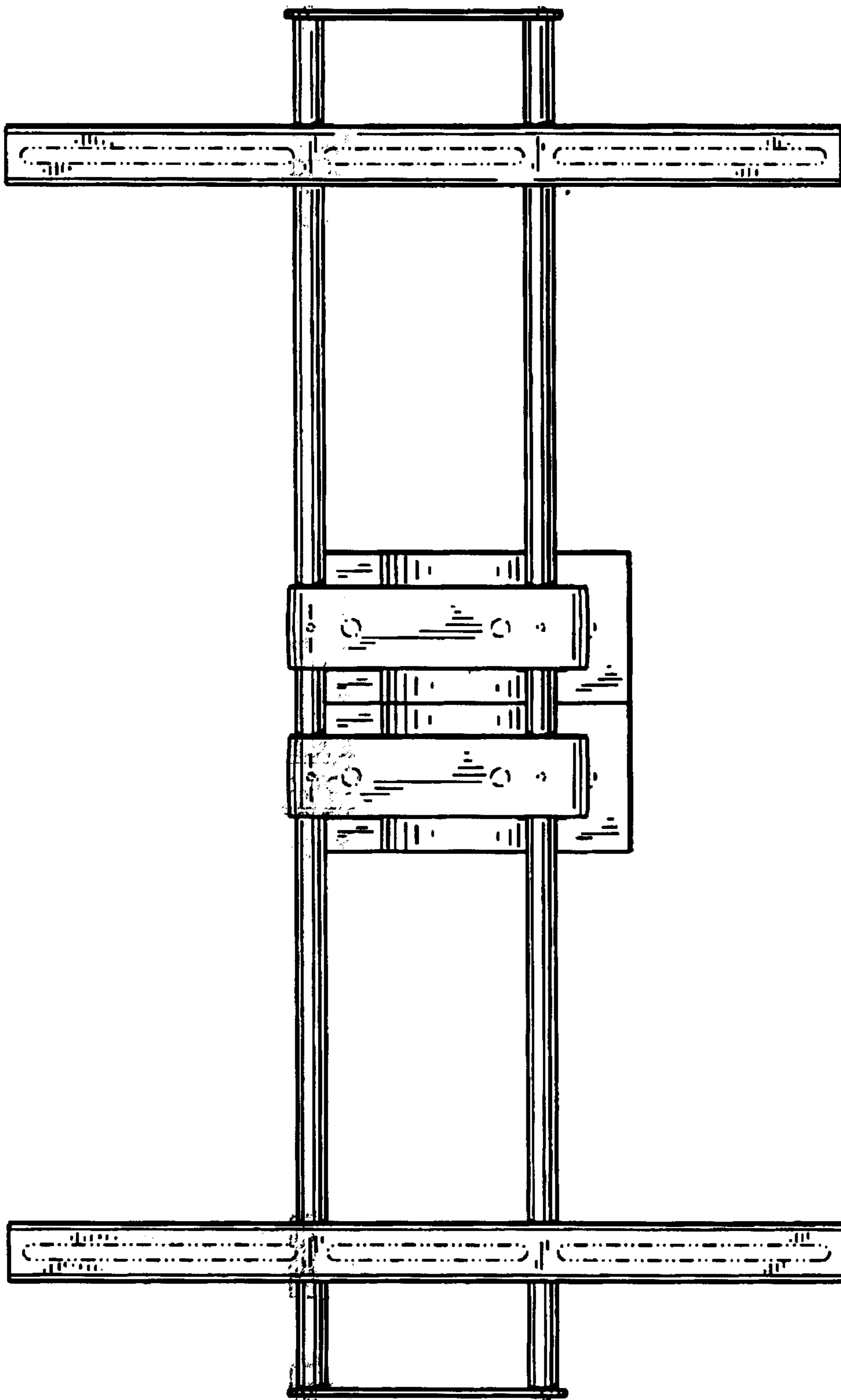


FIG. 8

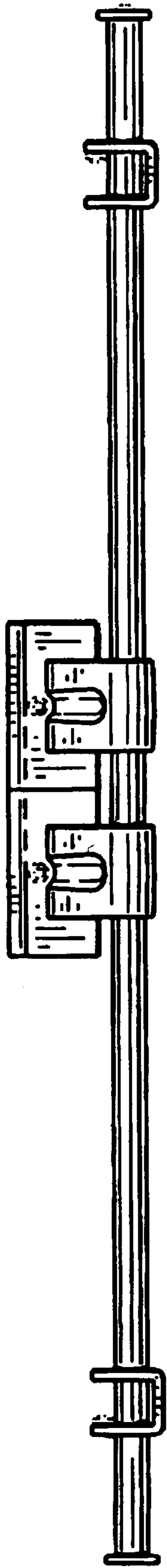


FIG. 9

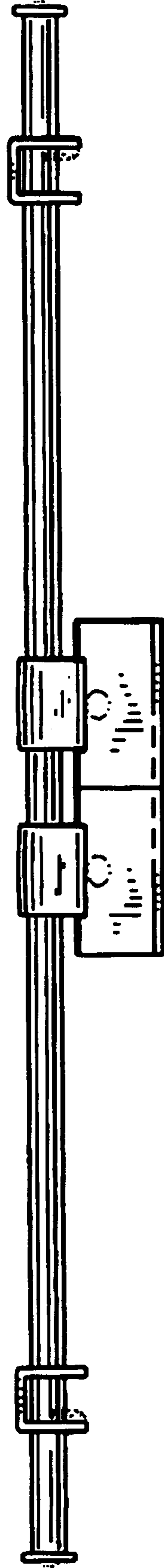


FIG. 10



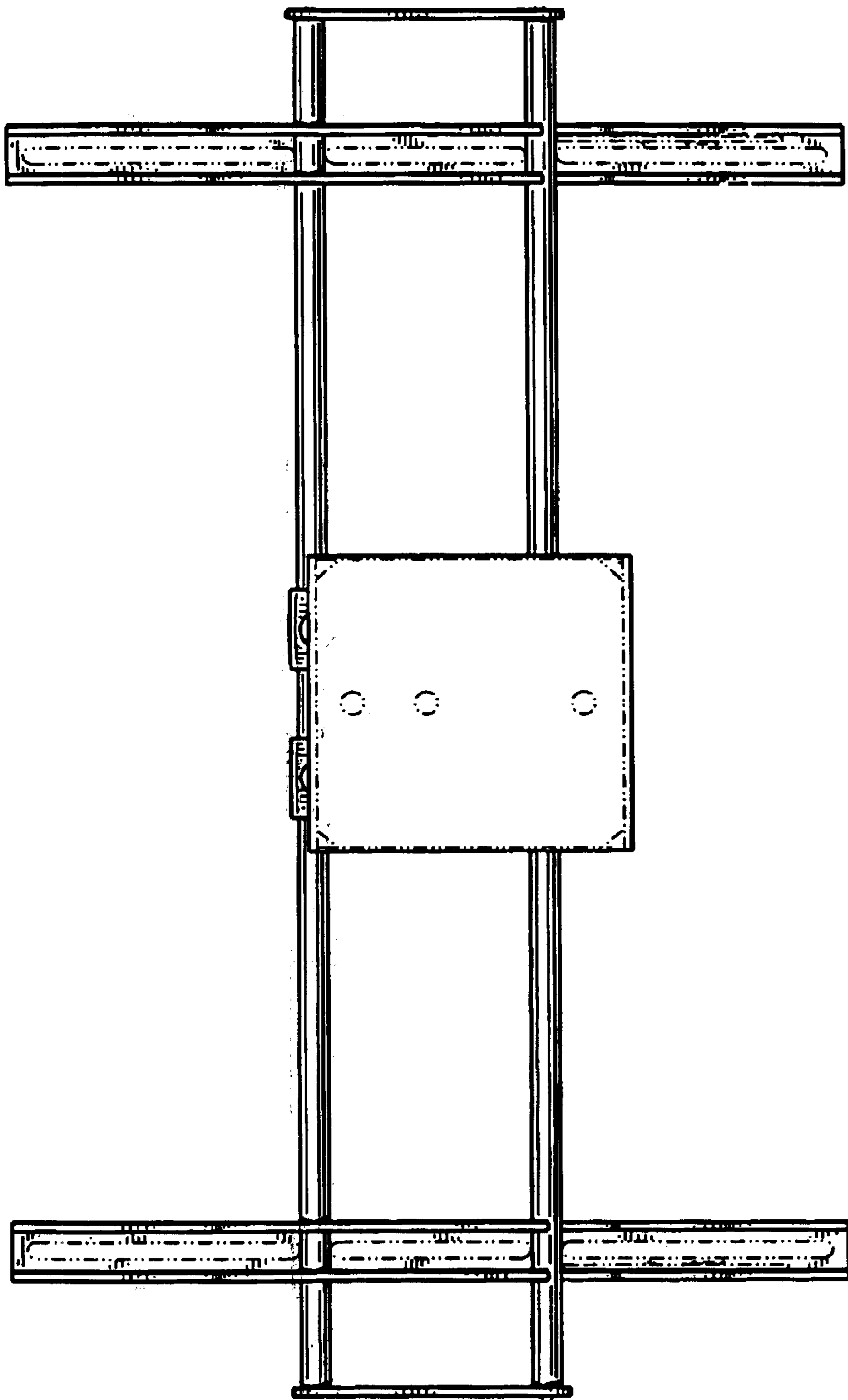


FIG. 11