

US00D530594S

(12) **United States Design Patent**
Soller et al.

(10) **Patent No.: US D530,594 S**
(45) **Date of Patent: ** Oct. 24, 2006**

(54) **HANDLE**

6,233,771 B1 * 5/2001 Hortel et al. 8/150
2003/0070246 A1 4/2003 Cavalheiro

(75) Inventors: **Douglas A. Soller**, Racine, WI (US);
Terra J. Morgan, Oak Creek, WI (US);
Cathal L. Fahy, Columbus, OH (US)

FOREIGN PATENT DOCUMENTS

DE M 89 07 929 1/1991
WO DM/019 077 3/1991
WO DM/064821 11/2003

(73) Assignee: **S.C. Johnson & Son, Inc.**, Racine, WI (US)

* cited by examiner

(**) Term: **14 Years**

Primary Examiner—Paula A. Greene

(21) Appl. No.: **29/212,636**

(57) **CLAIM**

(22) Filed: **Sep. 3, 2004**

The ornamental design for a handle, as shown and described.

(51) **LOC (8) Cl.** **08-06**

DESCRIPTION

(52) **U.S. Cl.** **D8/313**

(58) **Field of Classification Search** D8/300,
D8/313, 14, 26, 45, 90; D19/9, 12, 53, 71;
D4/130, 132, 135, 136; D32/46, 52; 8/150;
51/293, 299; 15/118, 145, 143.1, 210.1, 209.1,
15/229.13, 224.1, 229.11

See application file for complete search history.

In a preferred embodiment, the nature of this product is as a handle suitable for removably holding a cleaning pad.

FIG. 1 is a right, top, front perspective view of a handle embodying our new design;

FIG. 2 is a front elevational view thereof, the rear elevational view thereof being identical to the front elevational view shown;

FIG. 3 is a left side elevational view thereof, the right side elevational view thereof being identical to the left side elevational view shown;

FIG. 4 is a top plan view thereof;

FIG. 5 is a bottom plan view thereof; and,

FIG. 6 is a bottom plan view thereof, but showing some additional environment positionable on the bottom surface of the handle.

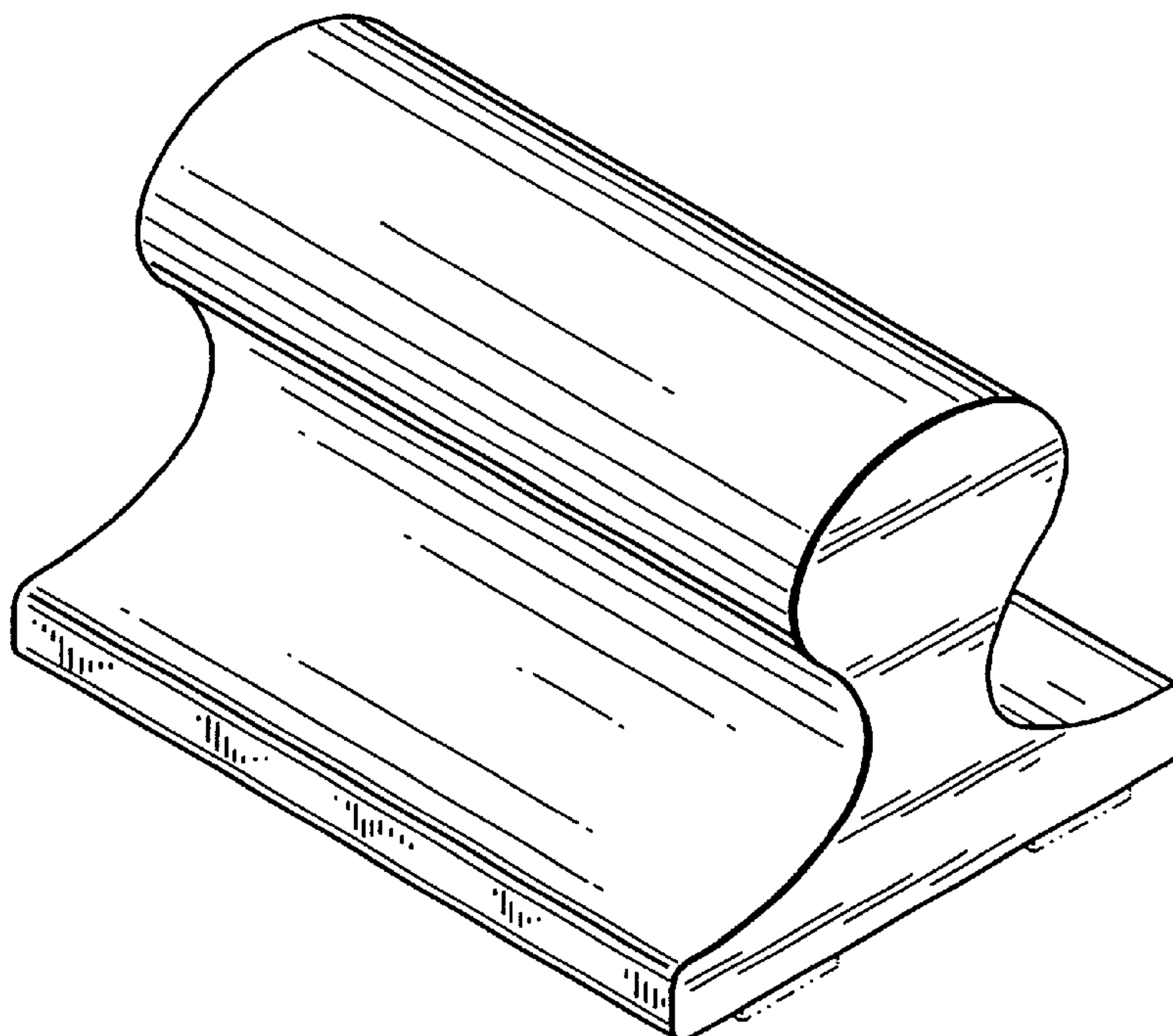
The broken line depiction of hook type fastener material in FIGS. 5 and 6 is for purposes of illustration only, and forms no part of the claimed design.

(56) **References Cited**

U.S. PATENT DOCUMENTS

60,264 A * 12/1866 Sawyer 51/299
1,821,505 A * 9/1931 Field 15/229.13
1,958,408 A * 5/1934 Jelliffe et al. 15/229.13
2,043,031 A * 6/1936 Bradford, Jr. 15/229.11
2,249,912 A * 7/1941 Oxley 15/209.1
3,090,065 A * 5/1963 Krieps et al. 15/229.11
3,208,837 A * 9/1965 Shatto 51/293
3,864,778 A * 2/1975 Vopat et al. 15/105
5,003,659 A * 4/1991 Paepke 15/229.13
D360,506 S * 7/1995 McPherson D32/46
5,987,687 A * 11/1999 Kilburn 15/145

1 Claim, 2 Drawing Sheets



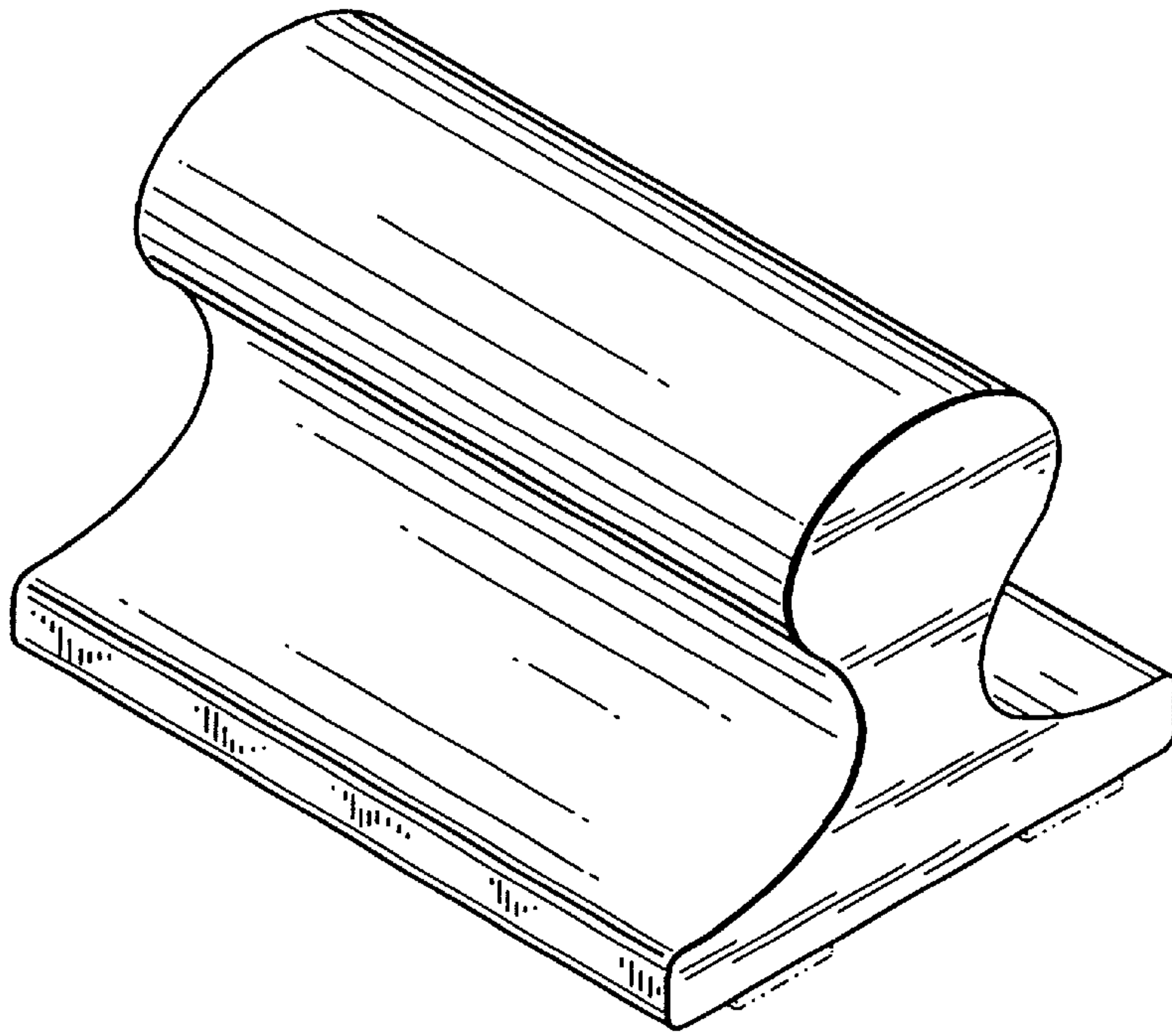


FIG. 1

FIG. 2

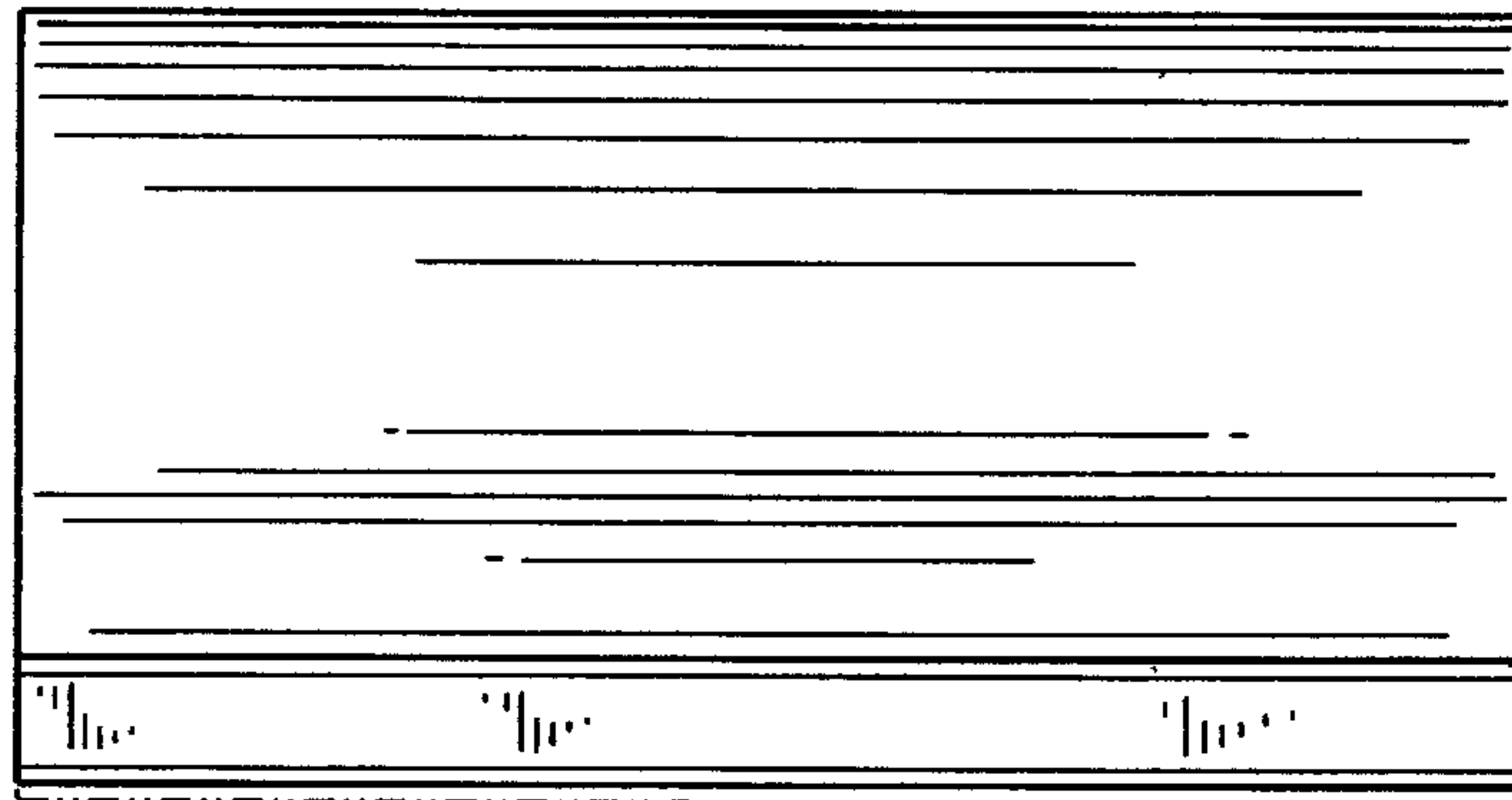


FIG. 3

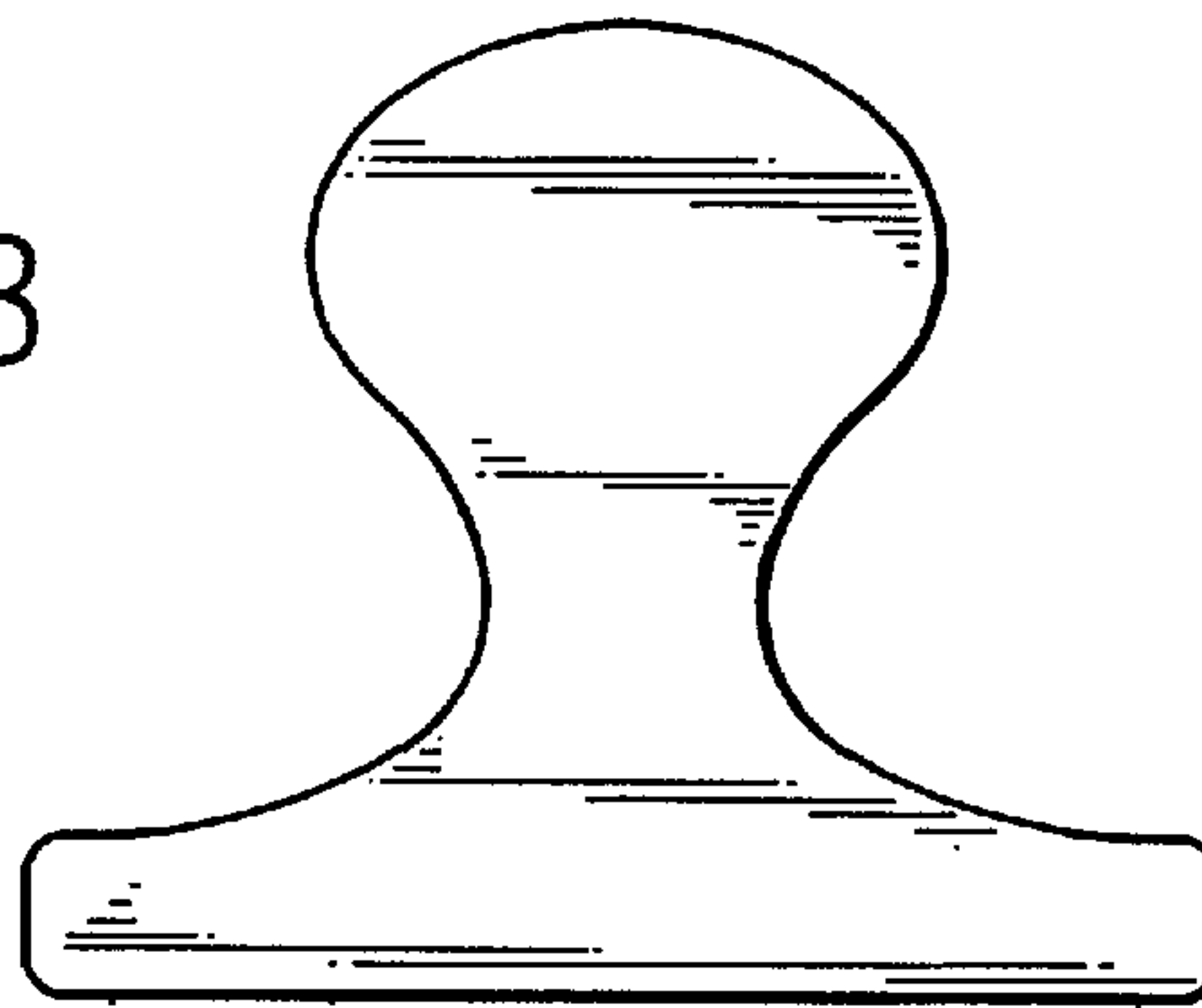


FIG. 4

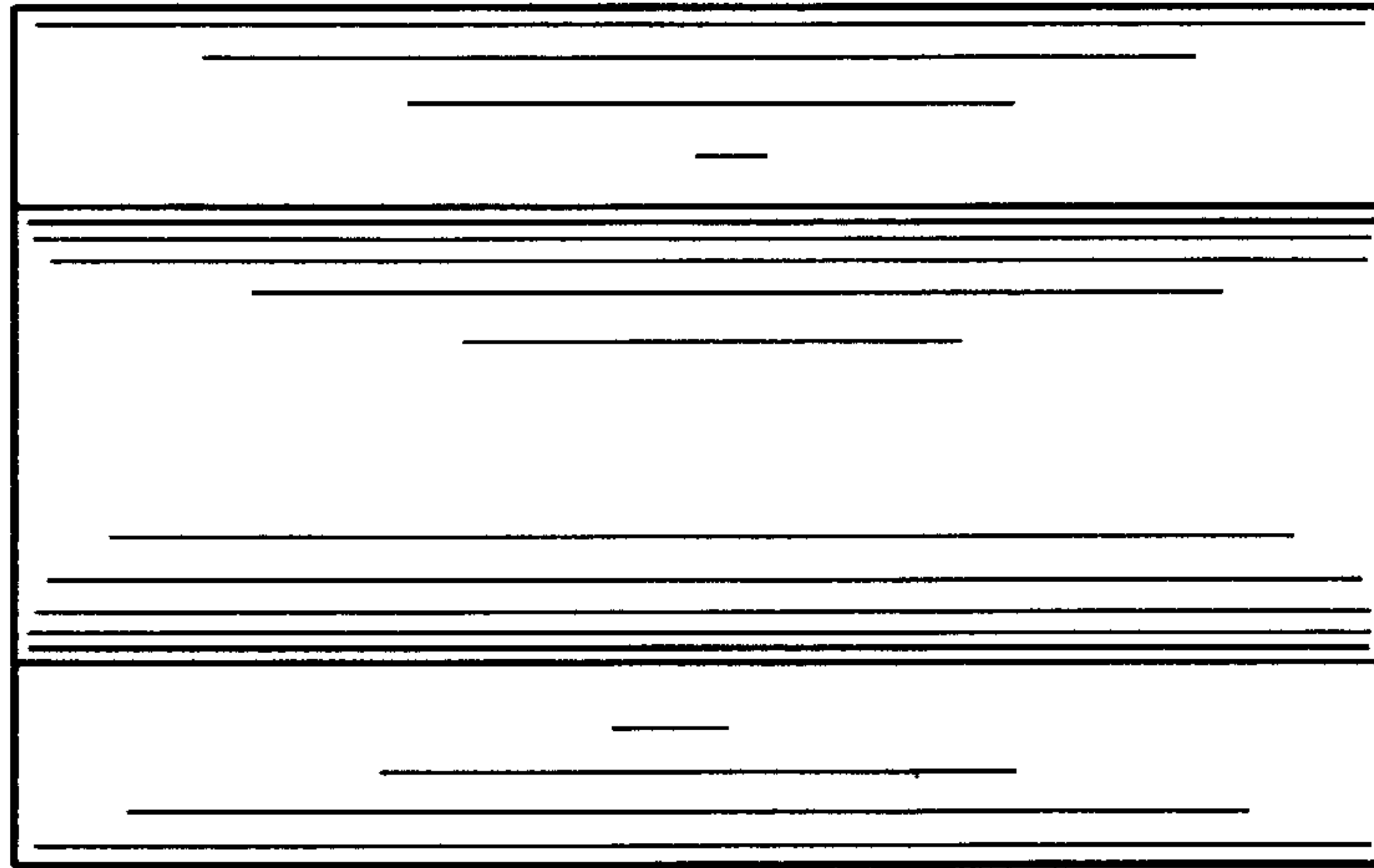


FIG. 5

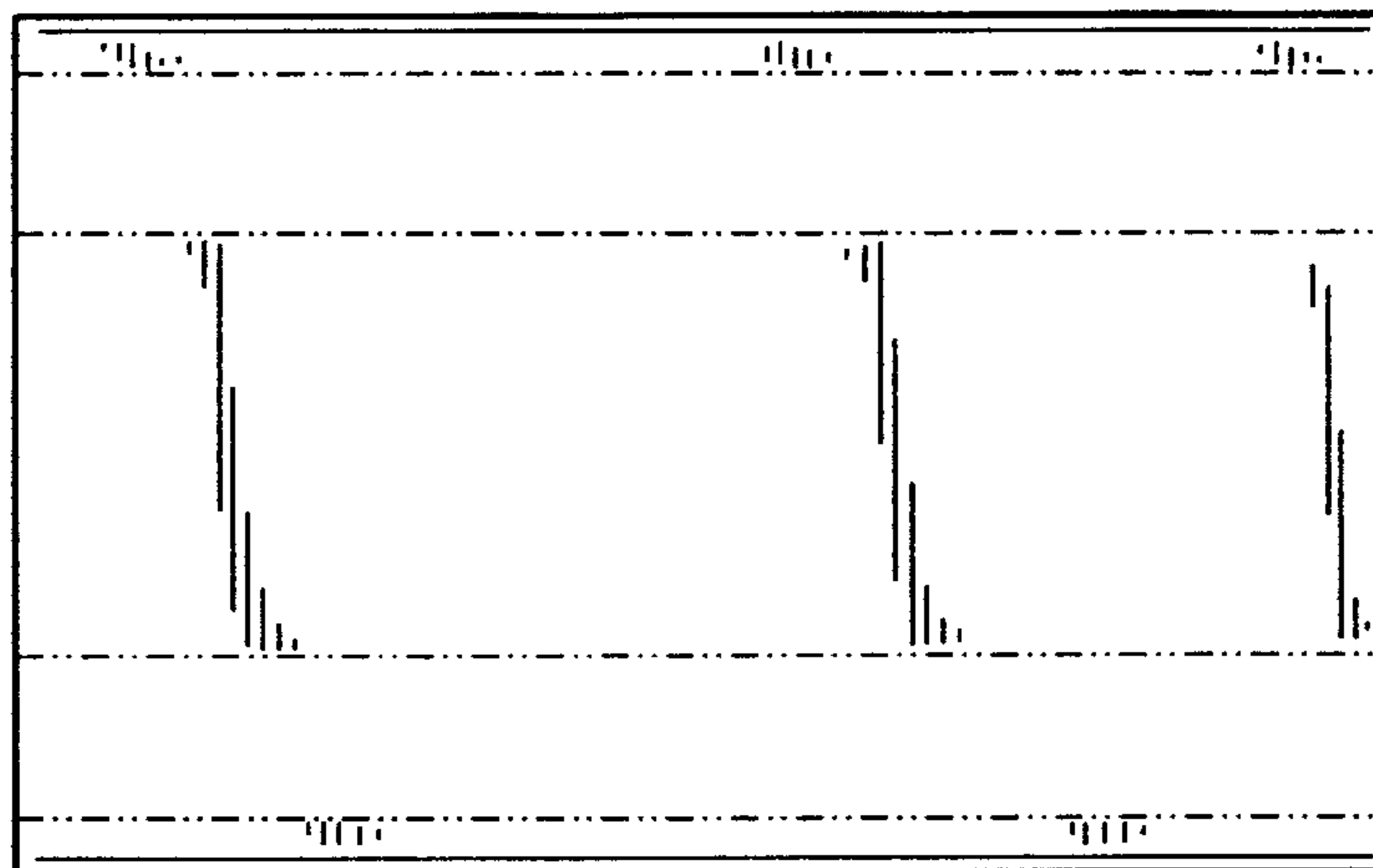


FIG. 6

