



US00D530593S

(12) **United States Design Patent**  
**Kosasih et al.**

(10) **Patent No.:** **US D530,593 S**  
(45) **Date of Patent:** **\*\* Oct. 24, 2006**

(54) **KNOB**  
(75) Inventors: **Angie L. Kosasih**, Rancho Santa Margarita, CA (US); **Amy Liu**, Monterey Park, CA (US); **Aaron E. Hanna**, Corona, CA (US)  
(73) Assignee: **Newfrey LLC**, Newark, DE (US)  
(\*\*) Term: **14 Years**  
(21) Appl. No.: **29/213,376**  
(22) Filed: **Sep. 16, 2004**  
(51) **LOC (8) Cl.** ..... **08-06**  
(52) **U.S. Cl.** ..... **D8/310**  
(58) **Field of Classification Search** ..... D8/301, D8/302, 307, 310, 338, 350, DIG. 2, 352, D8/379; 16/86 A; 70/107; 292/347, 356, 292/357; 428/583; D23/250, 251, 254  
See application file for complete search history.

D113,246 S 2/1939 Trahan  
2,688,181 A \* 9/1954 Livermont et al. .... 428/583  
D176,280 S 12/1955 Patriquin  
2,993,720 A \* 7/1961 Russell ..... 292/347  
2,998,993 A \* 9/1961 North et al. .... 292/347  
3,025,694 A \* 3/1962 George ..... 70/107  
3,065,014 A \* 11/1962 Russell ..... 292/356  
D195,479 S 6/1963 Denker  
D197,247 S 12/1963 Morgan  
D197,401 S 1/1964 Maffei  
D197,553 S 2/1964 Maffei  
D198,522 S 6/1964 Clayton  
D199,180 S 9/1964 Clayton  
D199,924 S \* 12/1964 Schlage ..... D8/310  
D204,242 S 4/1966 Thompson  
D208,147 S 7/1967 Clayton  
D211,935 S 8/1968 Algoren  
D219,422 S 12/1970 Tegner  
D225,722 S 1/1973 Tegner  
D228,839 S 10/1973 Sahloff  
D229,285 S 11/1973 Tegner  
D241,909 S 10/1976 Mellyn  
D243,918 S 4/1977 Creamer  
D246,952 S 1/1978 Palm, Jr.

(56) **References Cited**

(Continued)

U.S. PATENT DOCUMENTS

D6,623 S 4/1873 White  
D7,093 S \* 1/1874 Gorman ..... D8/310  
D10,029 S 5/1877 Widmayer  
D24,781 S 10/1895 Hirsh  
D38,941 S 12/1907 Schoonmaker  
D48,362 S 1/1916 Bosworth  
D48,651 S 2/1916 Prinzler  
D49,124 S 5/1916 Leonard  
D53,580 S 7/1919 Greene  
D74,624 S 3/1928 Roberts  
1,668,716 A \* 5/1928 Herdman et al. .... 16/86 A  
D79,261 S 8/1929 Schlage  
D79,262 S 8/1929 Schlage  
D81,026 S 4/1930 Schnell  
D83,156 S 1/1931 Graff  
D83,247 S 2/1931 Carlson  
D83,281 S 2/1931 Schnell  
D85,770 S 12/1931 Ruppel  
D85,844 S 12/1931 Schnell  
D86,641 S 3/1932 Shnell et al.  
D91,088 S 11/1933 Schnell

*Primary Examiner*—Paula A. Greene  
(74) *Attorney, Agent, or Firm*—Richard J. Veltman; John D. DelPonti

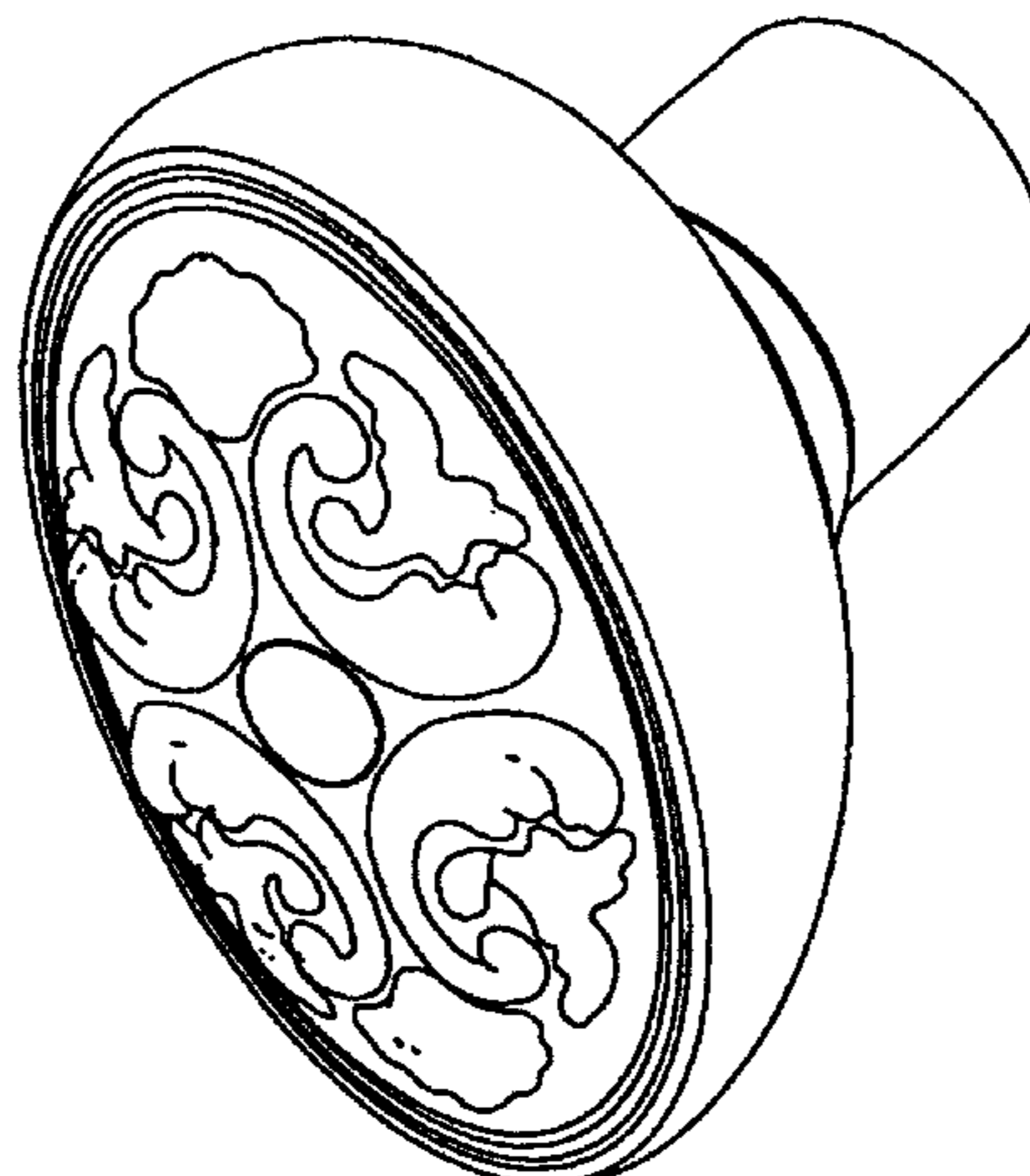
(57) **CLAIM**

The ornamental design for a knob, as shown and described.

**DESCRIPTION**

FIG. 1 is a perspective view of a knob showing my new design;  
FIG. 2 is a front elevational view thereof;  
FIG. 3 is a top plan view thereof, the bottom view being a mirror image;  
FIG. 4 is a right side elevational view thereof, the left side is a mirror image; and,  
FIG. 5 is a rear view thereof.  
The broken lines in the Figures are for illustrative purposes only and form no part of the claimed design.

**1 Claim, 2 Drawing Sheets**



# US D530,593 S

Page 2

## U.S. PATENT DOCUMENTS

D251,474 S	4/1979	Pittenger	D411,732 S	6/1999	Chamberlain
D251,475 S	4/1979	Clayton	D415,405 S	10/1999	O'Neil
D252,012 S	6/1979	Pittenger	D415,947 S	11/1999	May
D259,539 S	6/1981	Pittenger	D418,387 S	1/2000	O'Neil
D260,361 S	8/1981	Meisner	D423,320 S	4/2000	Kelly
D261,857 S	11/1981	Valli	D427,718 S	7/2000	Mitrani
D267,926 S	2/1983	Pittenger	D428,189 S	7/2000	Mitrani
D271,560 S	11/1983	Valli	D428,520 S	7/2000	Mitrani
D271,561 S	11/1983	Valli	D429,369 S	8/2000	Mitrani
D297,911 S	10/1988	Rubin	D430,997 S	9/2000	Magnusson
D312,381 S	11/1990	Clayton	D431,173 S	9/2000	Durbin
D312,565 S	12/1990	Abraham et al.	D431,443 S	10/2000	Rodriguez et al.
D314,129 S	1/1991	Zanini	D434,177 S	11/2000	Mitrani
D315,487 S	3/1991	Zanini	D435,423 S	12/2000	Rodriguez et al.
D328,852 S	8/1992	Marques	D445,016 S	7/2001	Dewald et al.
D329,008 S	9/1992	Marques	D453,897 S	2/2002	LaPlume et al.
D329,009 S	9/1992	Marques	D453,899 S	2/2002	LaPlume et al.
D351,981 S	11/1994	Susani et al.	D458,829 S	6/2002	Zoerner
D355,834 S	2/1995	Chieda	D465,990 S	11/2002	Betancourth
D355,835 S	2/1995	Chieda	D466,788 S	12/2002	Baskauskas et al.
D355,837 S	2/1995	Chieda	D467,155 S	12/2002	Underhill et al.
D357,168 S	4/1995	Chieda	D470,740 S	2/2003	Fields
D361,489 S	8/1995	Carsello	D470,741 S	2/2003	Fields
D361,494 S	8/1995	Chieda	D471,073 S	3/2003	Fields
D362,380 S	9/1995	Ellis et al.	D471,422 S	3/2003	Ellis et al.
D363,204 S	10/1995	Ellis et al.	D471,432 S	3/2003	Ellis et al.
D363,872 S	11/1995	Carsello	D472,448 S	4/2003	Fields
D378,984 S	4/1997	Carsello	D479,790 S	9/2003	Dewald et al.
D393,584 S	4/1998	D'Andrea et al.	D482,592 S	11/2003	Thuma
D394,795 S	6/1998	Diebel	D487,865 S	3/2004	Dewald
D397,022 S	8/1998	Caugh et al.	D492,181 S	6/2004	Blonski
D406,042 S	2/1999	Klinker	D493,089 S	7/2004	Samson et al.

\* cited by examiner

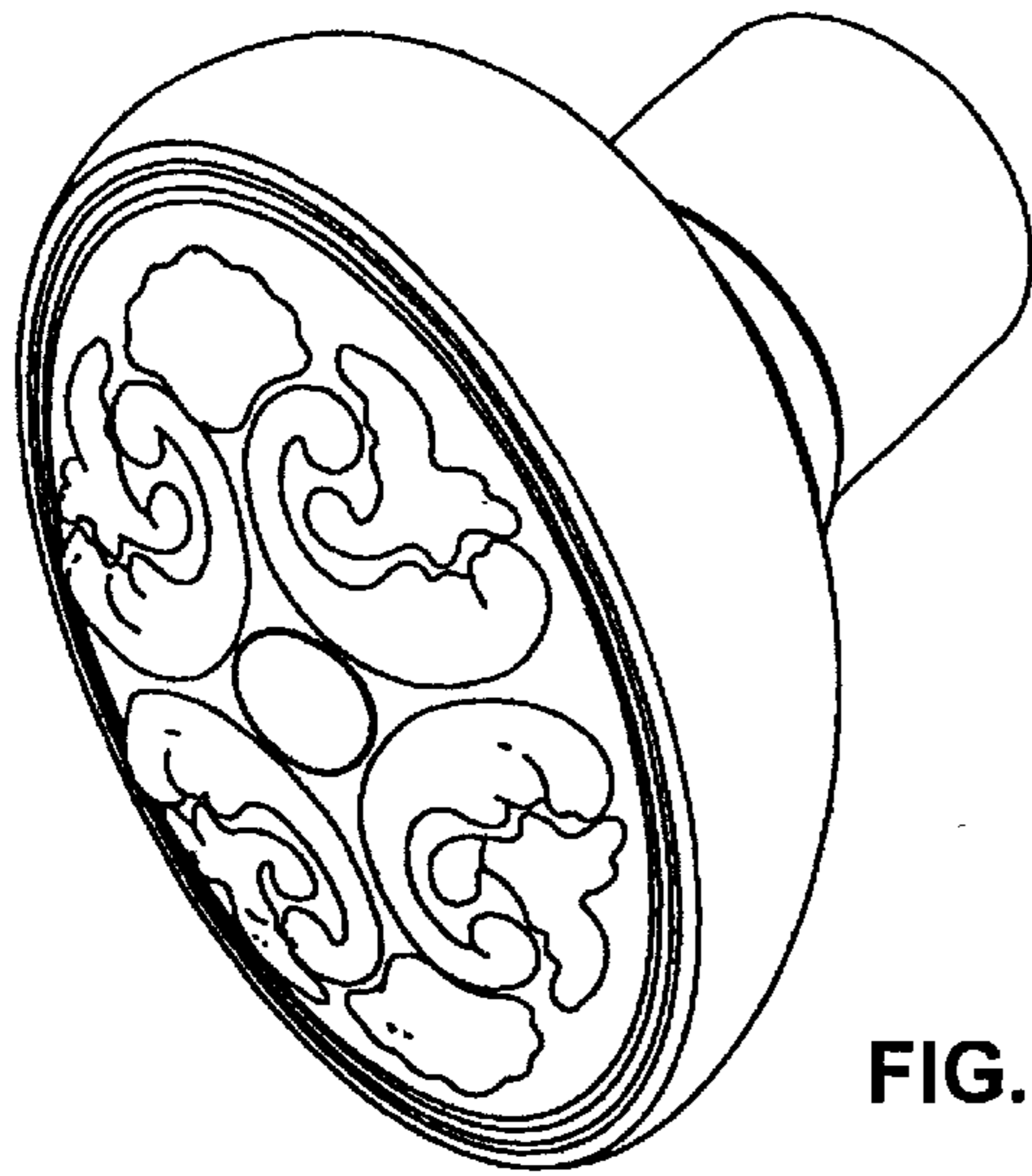


FIG. 1

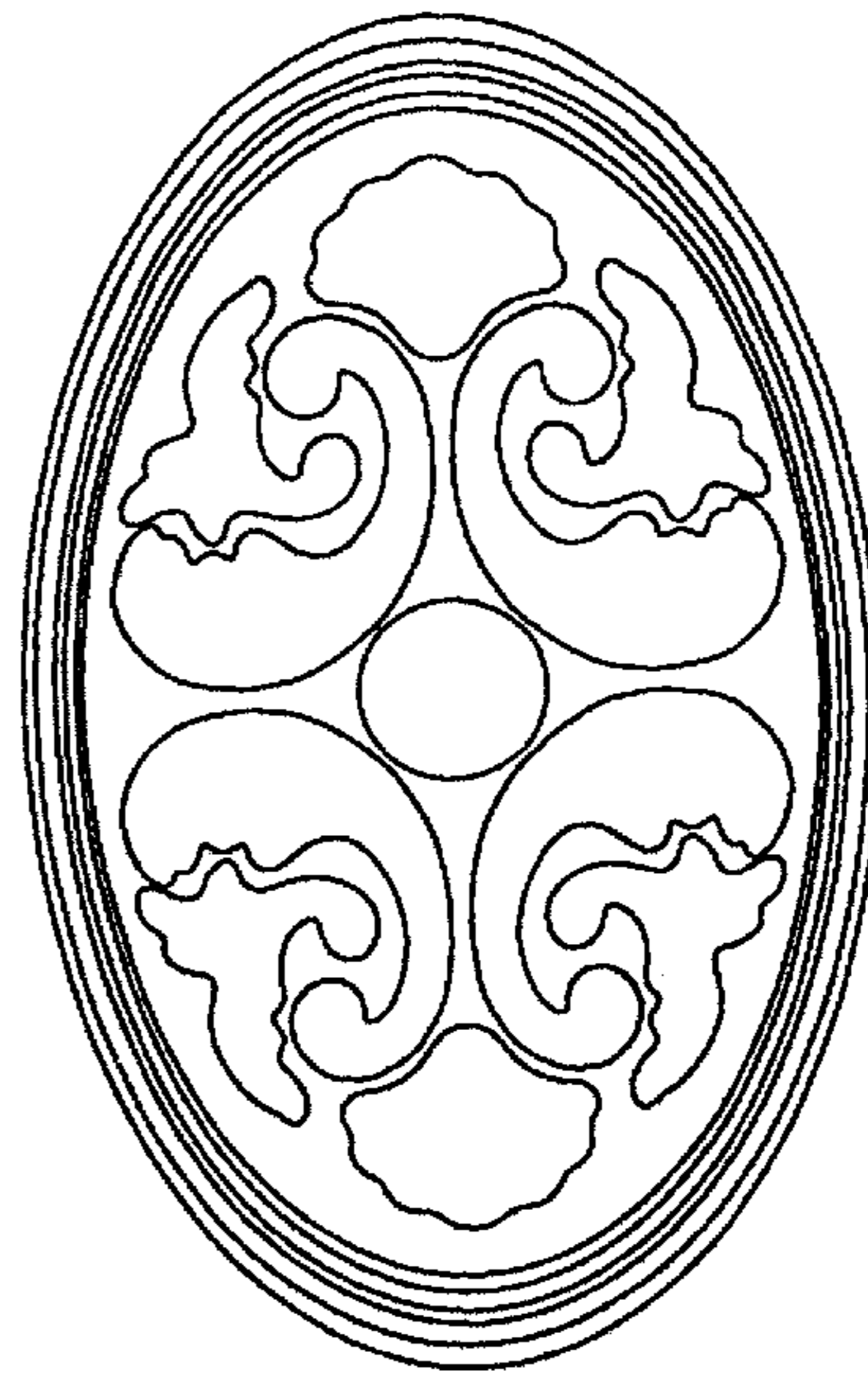


FIG. 2

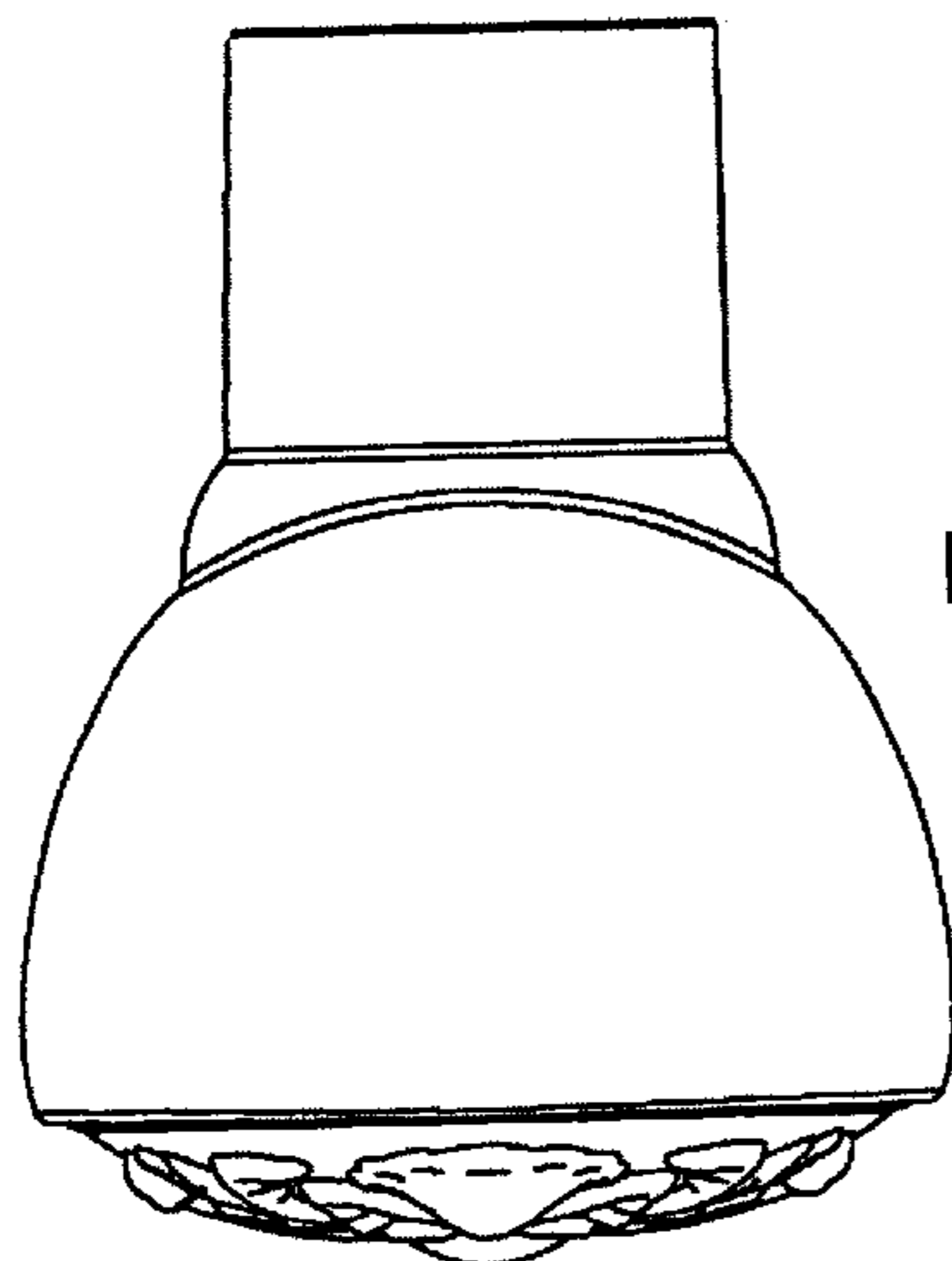


FIG. 3

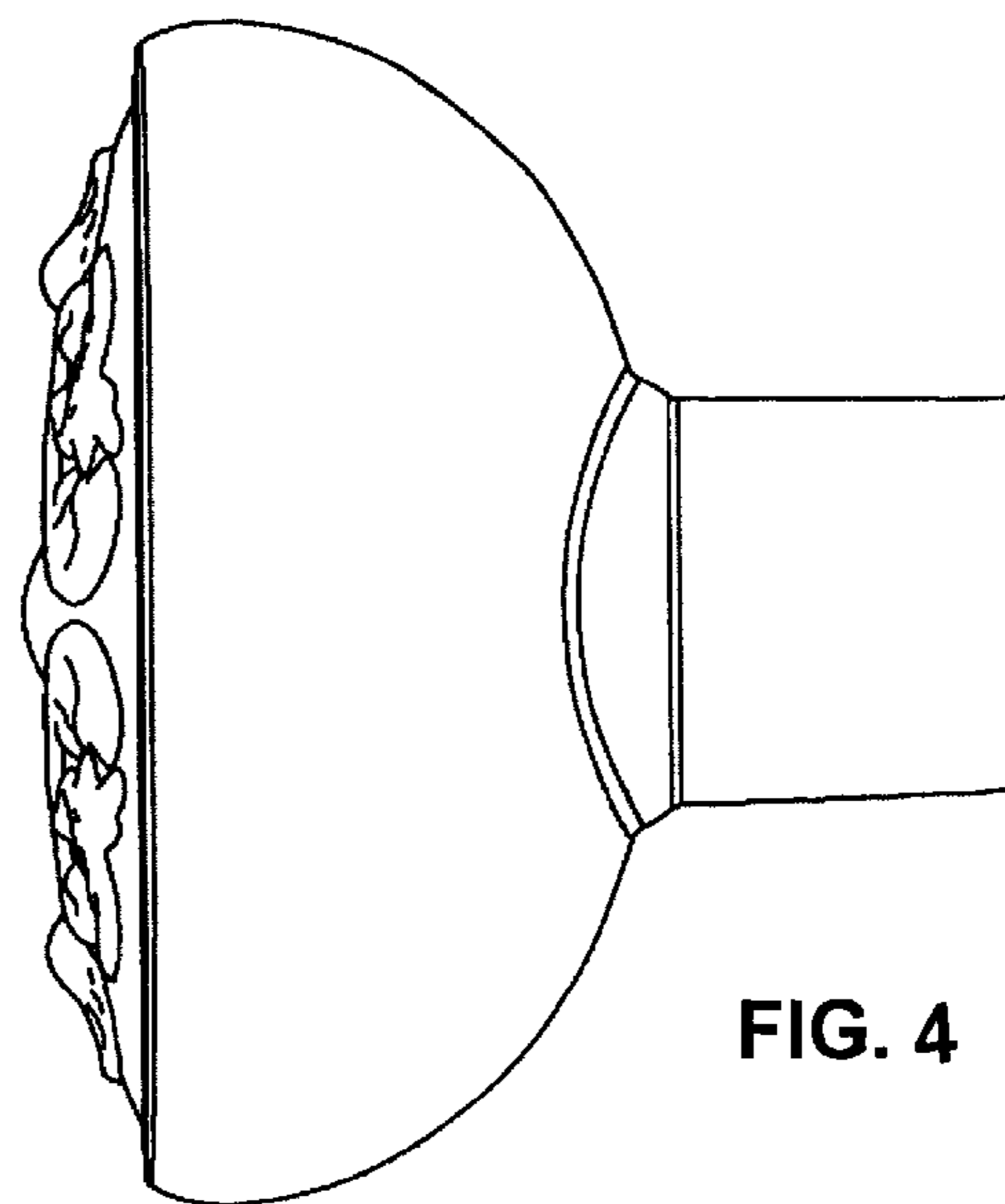
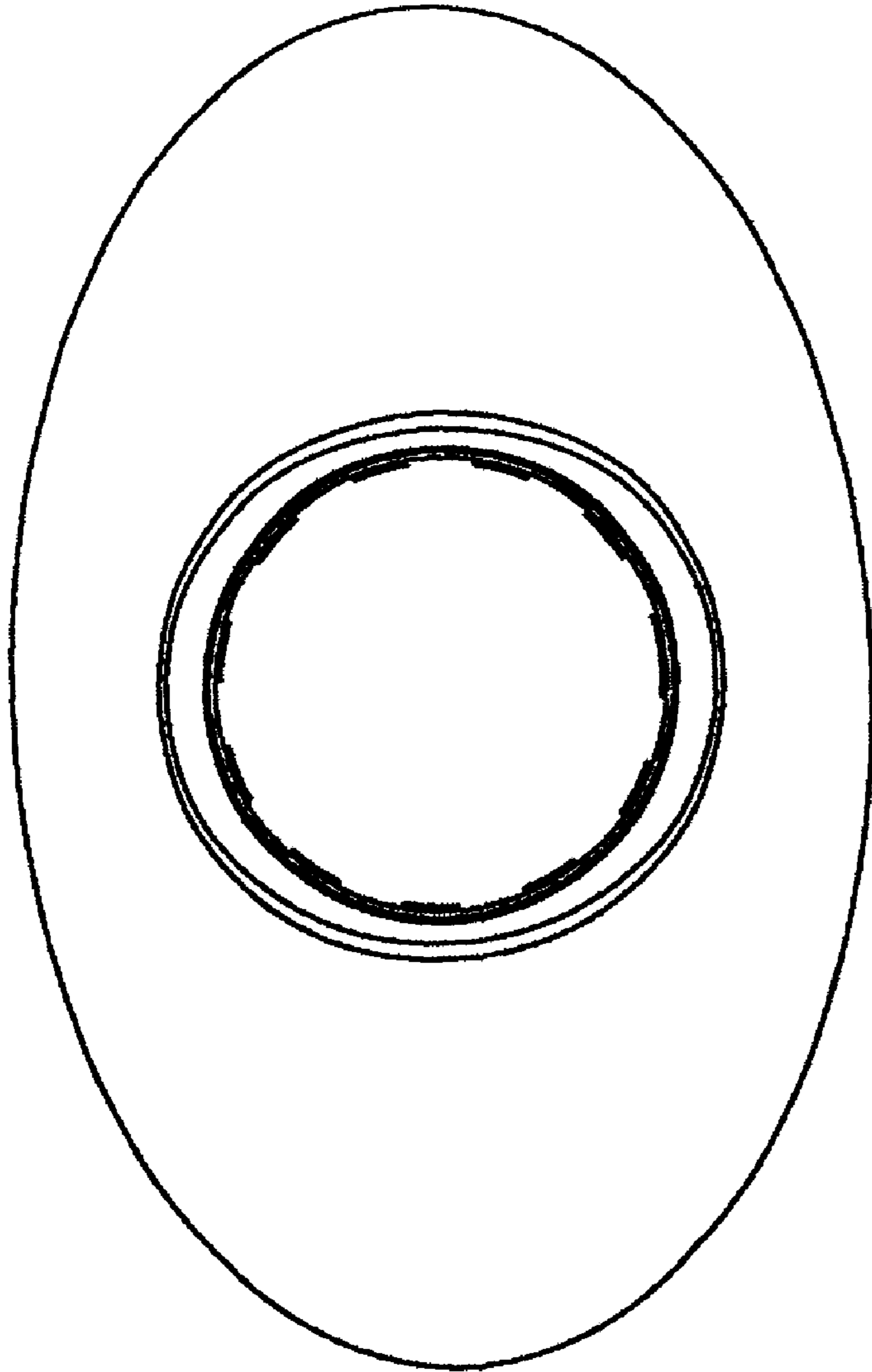


FIG. 4



**FIG. 5**