



US00D530587S

(12) **United States Design Patent**
Saunders

(10) **Patent No.:** **US D530,587 S**

(45) **Date of Patent:** **** Oct. 24, 2006**

(54) **TOOL HANDLE OR SIMILAR ARTICLE**

(75) Inventor: **James Saunders**, Memphis, TN (US)

(73) Assignee: **Great Neck Saw Manufacturers, Inc.**,
Mineola, NY (US)

(**) Term: **14 Years**

(21) Appl. No.: **29/217,511**

(22) Filed: **Nov. 19, 2004**

(51) **LOC (8) Cl.** **08-04**

(52) **U.S. Cl.** **D8/107; D7/394**

(58) **Field of Classification Search** D8/82-87,
D8/107, 300; D7/394-395, 649; 81/177.1-177.7,
81/436, 439, 440, 489; 16/110.1, 421, 430-431
See application file for complete search history.

(56) **References Cited**

U.S. PATENT DOCUMENTS

915,463 A	3/1909	Mumma	
1,382,492 A	6/1921	Evans	
D132,891 S	6/1942	Chapman	
2,306,228 A	12/1942	Shaw	
2,981,389 A	4/1961	Kilness	
3,145,594 A	8/1964	Peters	
D202,570 S	10/1965	Depuy	
3,250,157 A	5/1966	Badger	
3,713,356 A	1/1973	Knudsen	
4,711,145 A	12/1987	Inoue	
4,770,071 A	9/1988	Steier	
4,777,852 A	10/1988	Herman	
4,905,548 A	3/1990	Colace	
4,986,147 A	1/1991	Cooper	
5,174,176 A	12/1992	Krivec	
D336,225 S	6/1993	Lin	
D340,628 S	10/1993	Chow	
5,280,740 A	1/1994	Ernst	
5,626,062 A	5/1997	Colvin	
D399,722 S	10/1998	Eidsmoe	
D402,867 S	12/1998	Macor	
D414,095 S	* 9/1999	Hoepfl et al.	D8/83
5,957,009 A	9/1999	McCann	
6,000,302 A	12/1999	Chiang	

6,003,413 A	12/1999	Macor	
D418,385 S	1/2000	Tseng	
D421,881 S	* 3/2000	Wen	D8/10
D421,890 S	* 3/2000	Alexander et al.	D8/107
D422,192 S	4/2000	Cleveland	
D422,475 S	4/2000	Su	
6,070,503 A	6/2000	Shiao	
D427,876 S	7/2000	Rowlay	
D429,979 S	8/2000	Chiang	
6,138,532 A	10/2000	McCann	
6,216,565 B1	4/2001	McCann	
6,216,567 B1	4/2001	Hu	
6,332,380 B1	12/2001	Macor	
6,336,383 B1	1/2002	Hung	
D458,679 S	6/2002	Thompson	
6,405,621 B1	6/2002	Krivec	
6,431,030 B1	8/2002	Kuo	
6,431,031 B1	8/2002	Hu	
6,435,062 B1	8/2002	McCann	
D463,244 S	9/2002	Chen	
6,457,387 B1	10/2002	Hu	
D465,987 S	11/2002	Lin	
D468,182 S	1/2003	Thompson	
D472,115 S	3/2003	Davidson	
D472,116 S	3/2003	Peters	

(Continued)

Primary Examiner—Pamela J. Burgess
(74) *Attorney, Agent, or Firm*—Joseph J. Previto

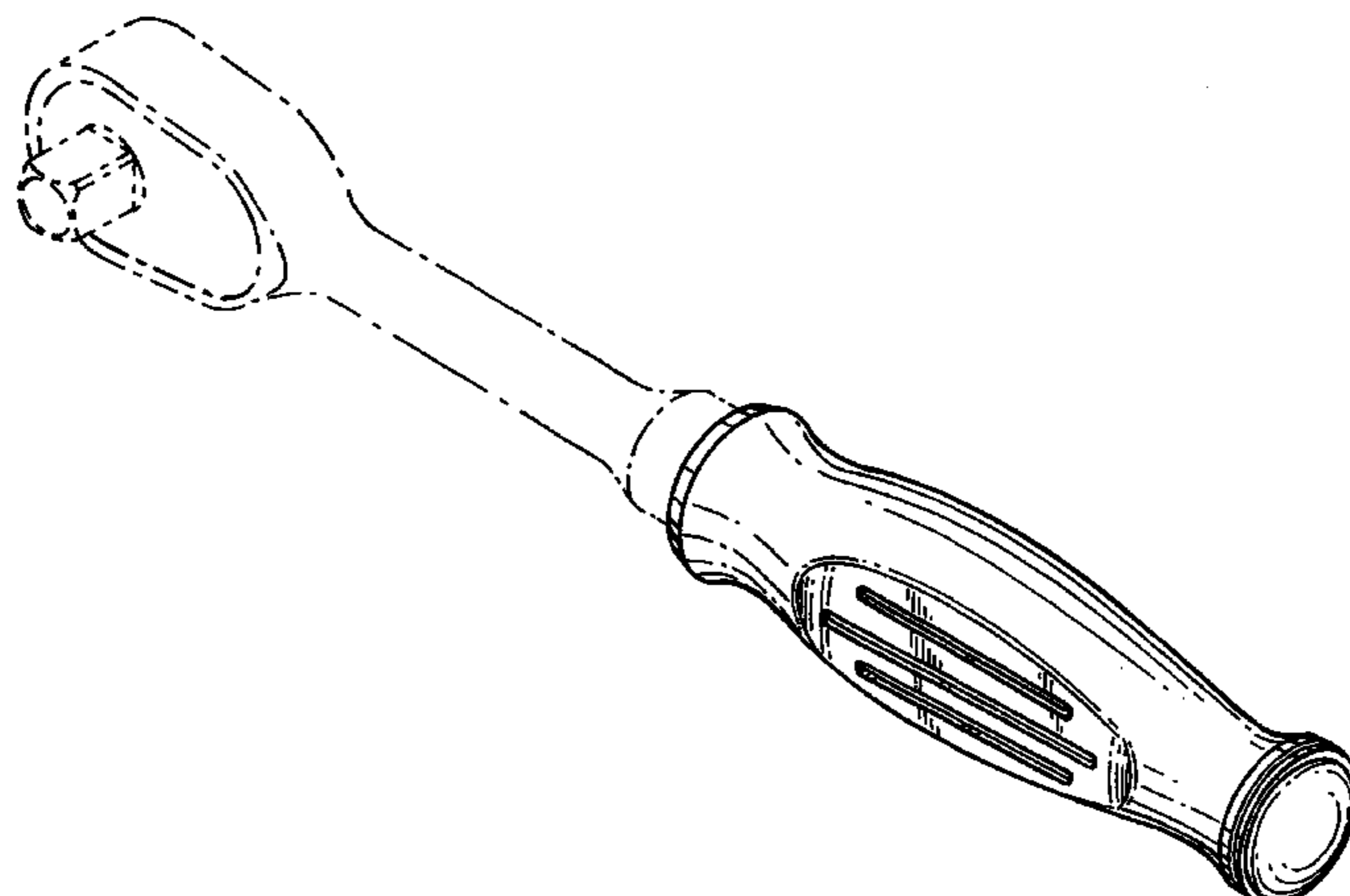
(57) **CLAIM**

The ornamental design of a tool handle or similar article, substantially as shown and described.

DESCRIPTION

FIG. 1 is a perspective view of a tool handle or similar article showing my new design.
FIG. 2 is a side view thereof.
FIG. 3 is a top end view thereof.
FIG. 4 is a bottom view thereof.
FIG. 5 is a front end view thereof; and,
FIG. 6 is a rear end view thereof.
The broken lines shown in the figures are for illustrative purposes only and form no part of the claimed design.

1 Claim, 3 Drawing Sheets



US D530,587 S

Page 2

U.S. PATENT DOCUMENTS

RE38,093 E 4/2003 Chiou
6,543,316 B1 4/2003 Daigle
6,557,442 B1 5/2003 Owoc
6,568,299 B1 5/2003 Hu

D476,203 S 6/2003 Mahan
6,588,304 B1 7/2003 Kady
D482,588 S * 11/2003 Lai D8/107
D494,443 S * 8/2004 Saunders D8/107

* cited by examiner

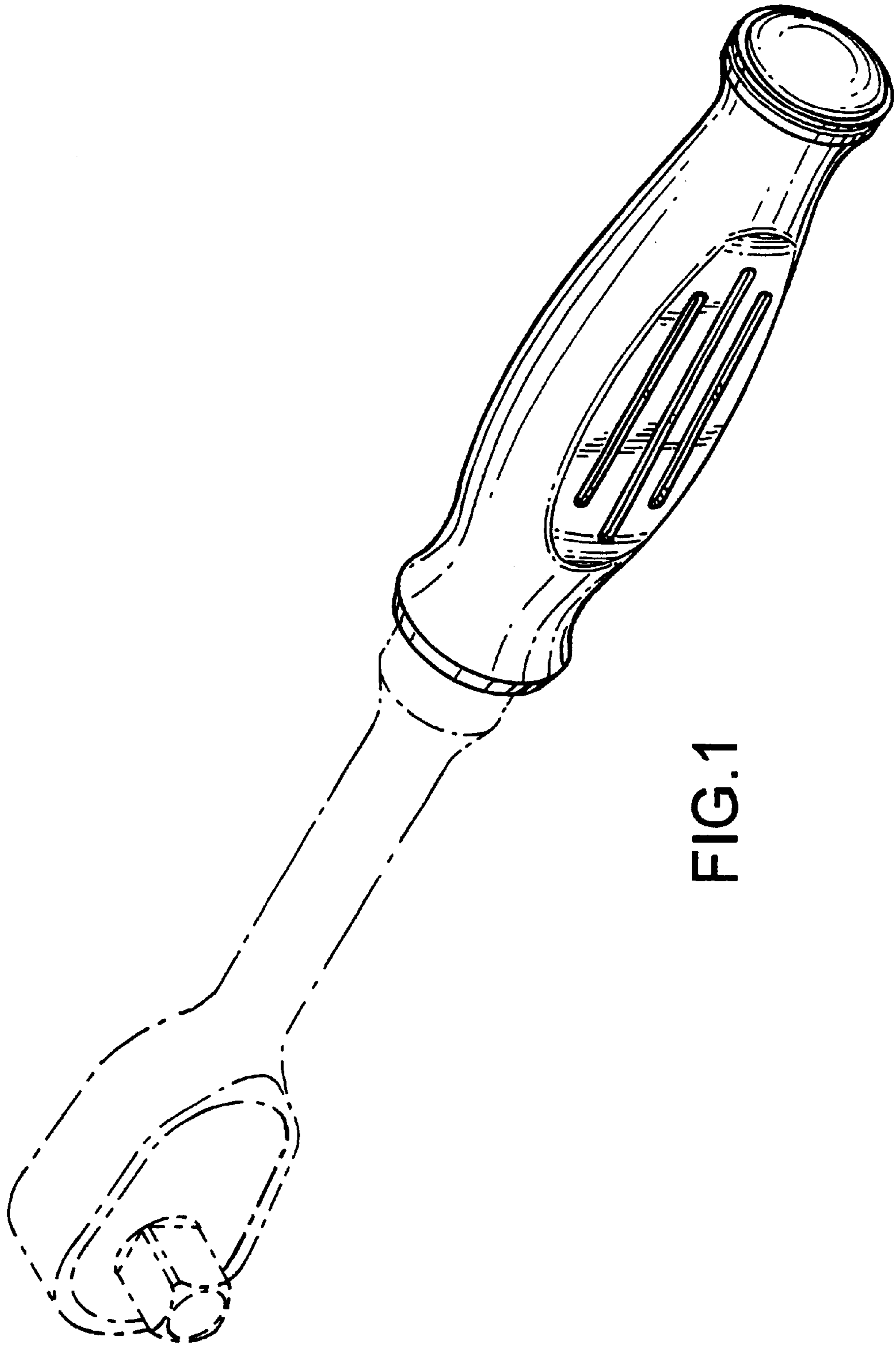


FIG. 1

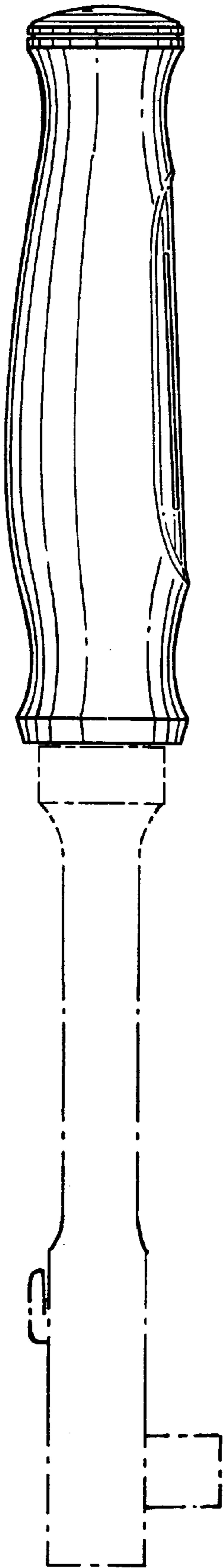


FIG. 2

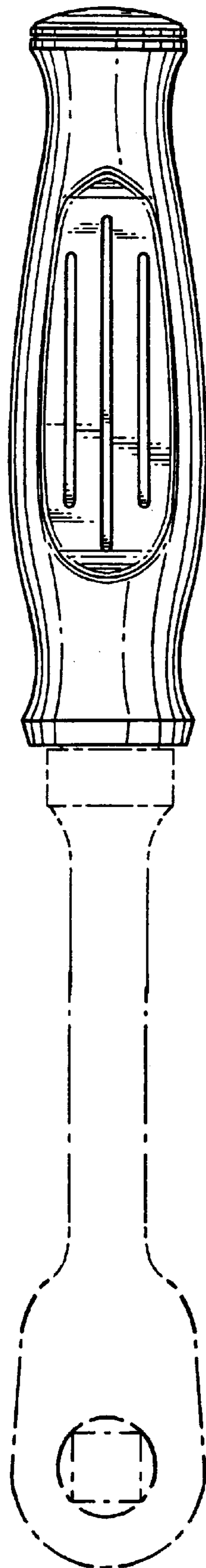


FIG. 3

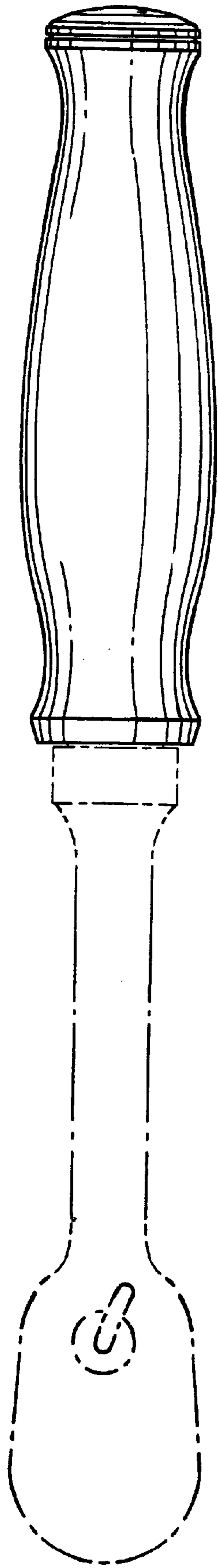


FIG. 4

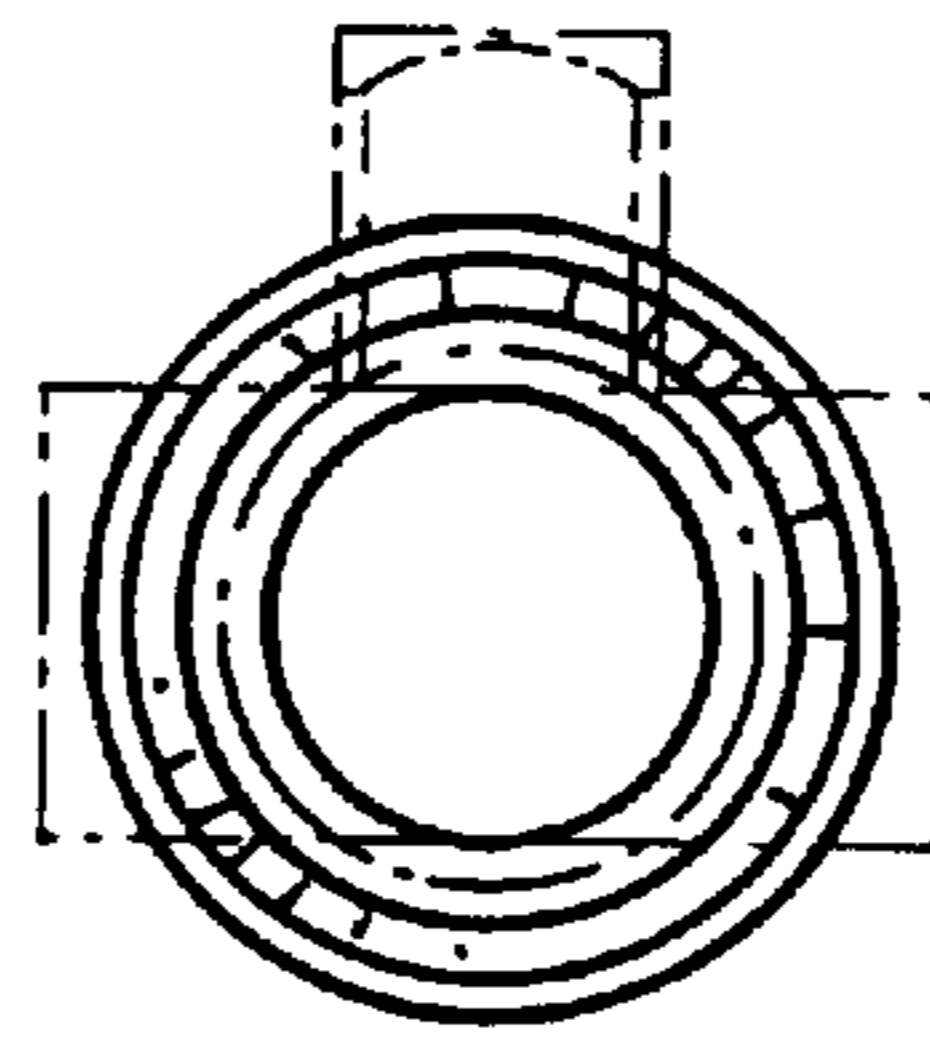


FIG. 5

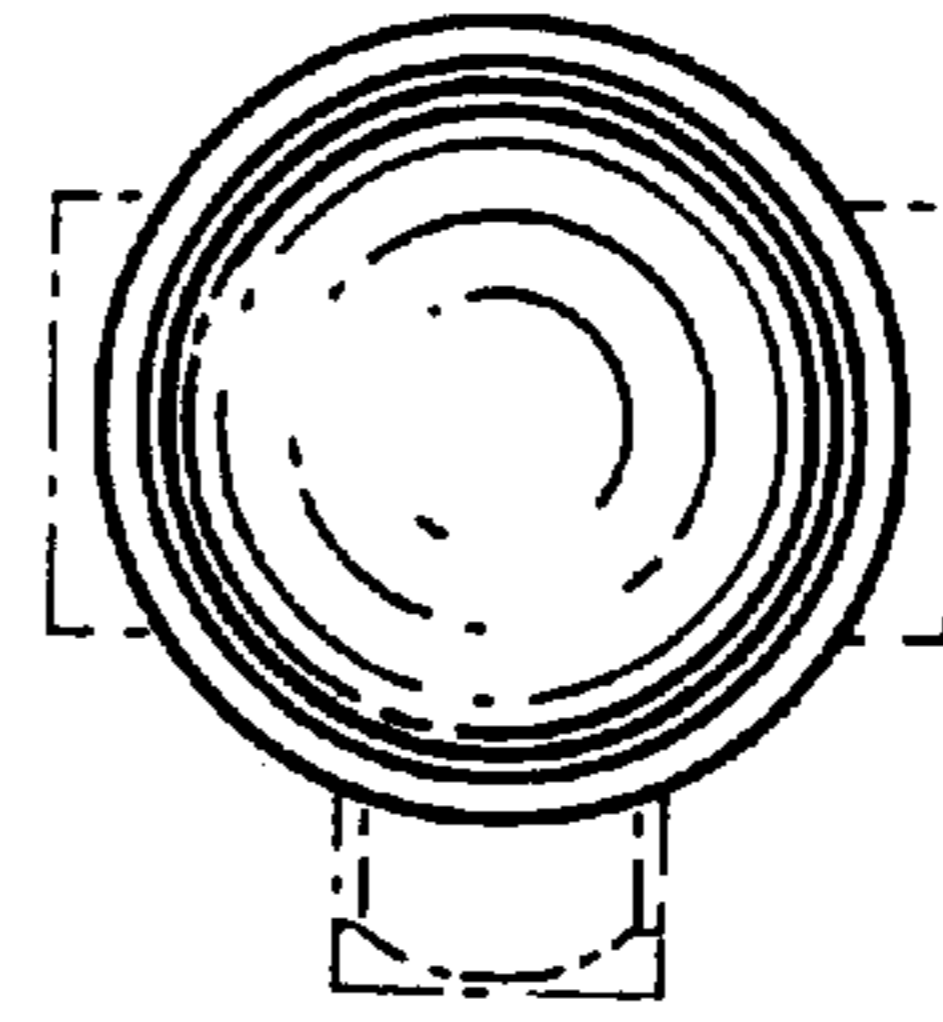


FIG. 6