



US00D530583S

(12) **United States Design Patent**  
**Chen**

(10) **Patent No.:** **US D530,583 S**

(45) **Date of Patent:** **\*\* Oct. 24, 2006**

(54) **HAMMERHEAD**

(76) Inventor: **Yung-Shou Chen**, 2F-1, No. 51, Sec. 3,  
Chung Yang Rd., Chung Ho Tsuen,  
Long-Ching Town, Taichung Hsien  
(TW)

(\*\*) Term: **14 Years**

(21) Appl. No.: **29/240,386**

(22) Filed: **Oct. 12, 2005**

(51) **LOC (8) Cl.** ..... **08-02**

(52) **U.S. Cl.** ..... **D8/78**

(58) **Field of Classification Search** ..... D8/75,  
D8/76, 77, 78, 79, 80; 81/19, 20, 21, 22,  
81/23, 24; 7/143, 146

See application file for complete search history.

(56) **References Cited**

U.S. PATENT DOCUMENTS

D442,048 S \* 5/2001 Coonrad ..... D8/75  
D446,102 S \* 8/2001 Chen ..... D8/78  
D449,770 S \* 10/2001 Chen ..... D8/75

6,386,070 B1 \* 5/2002 Hong ..... 81/20  
D474,667 S \* 5/2003 Hung ..... D8/75  
D478,264 S \* 8/2003 Chen ..... D8/78  
D478,265 S \* 8/2003 Chen ..... D8/78

\* cited by examiner

*Primary Examiner*—Philip S. Hyder  
(74) *Attorney, Agent, or Firm*—Pai Patent & Trademark  
Law Firm; Chao-Chang David Pal

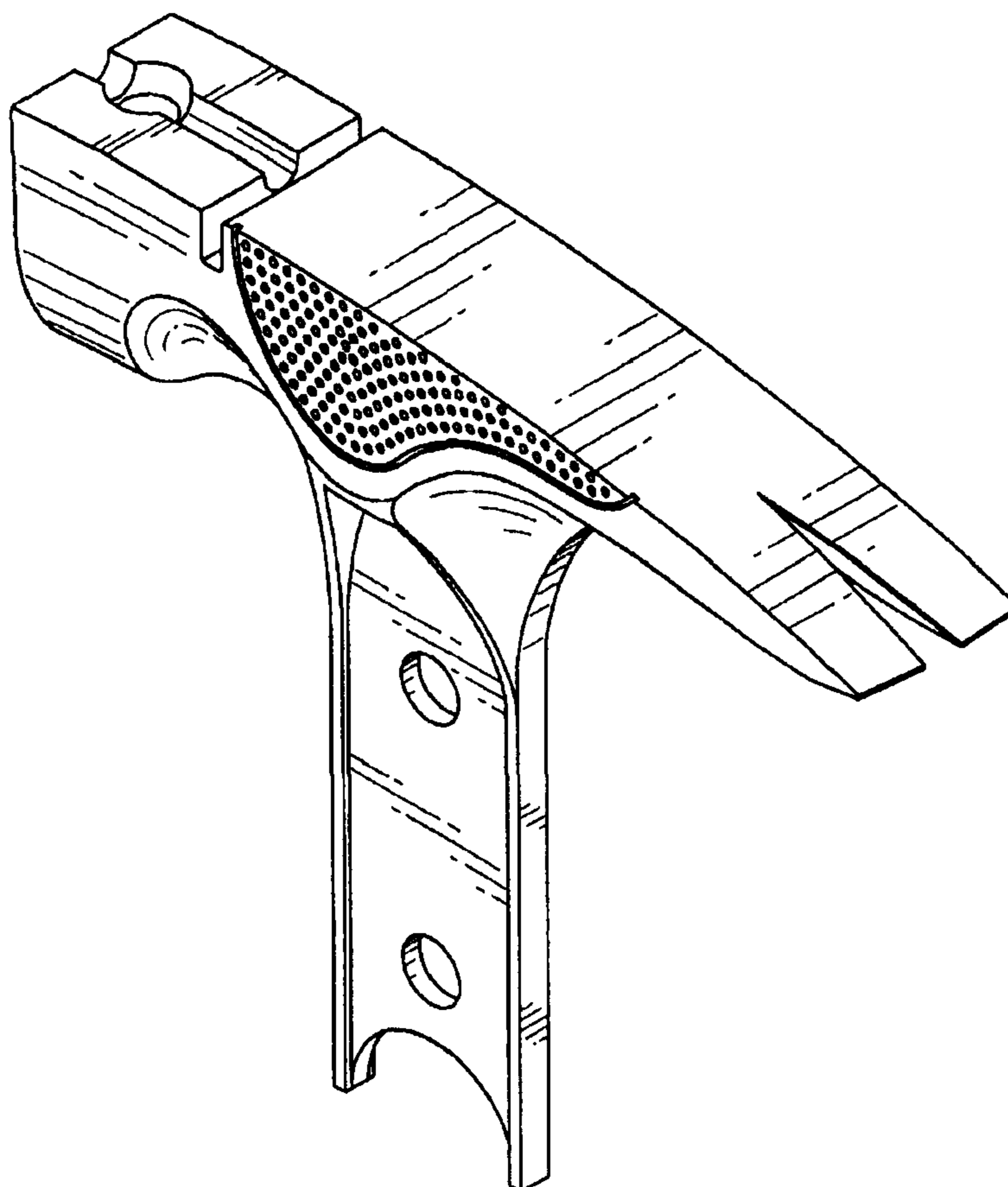
(57) **CLAIM**

The ornamental design for a hammerhead, as shown.

**DESCRIPTION**

FIG. 1 is a perspective view of a hammerhead, showing my new design;  
FIG. 2 is a front elevational view thereof;  
FIG. 3 is a rear elevational view thereof;  
FIG. 4 is a left side elevational view thereof;  
FIG. 5 is a right side elevational view thereof;  
FIG. 6 is a top plan view thereof; and,  
FIG. 7 is a bottom plan view thereof.

**1 Claim, 3 Drawing Sheets**



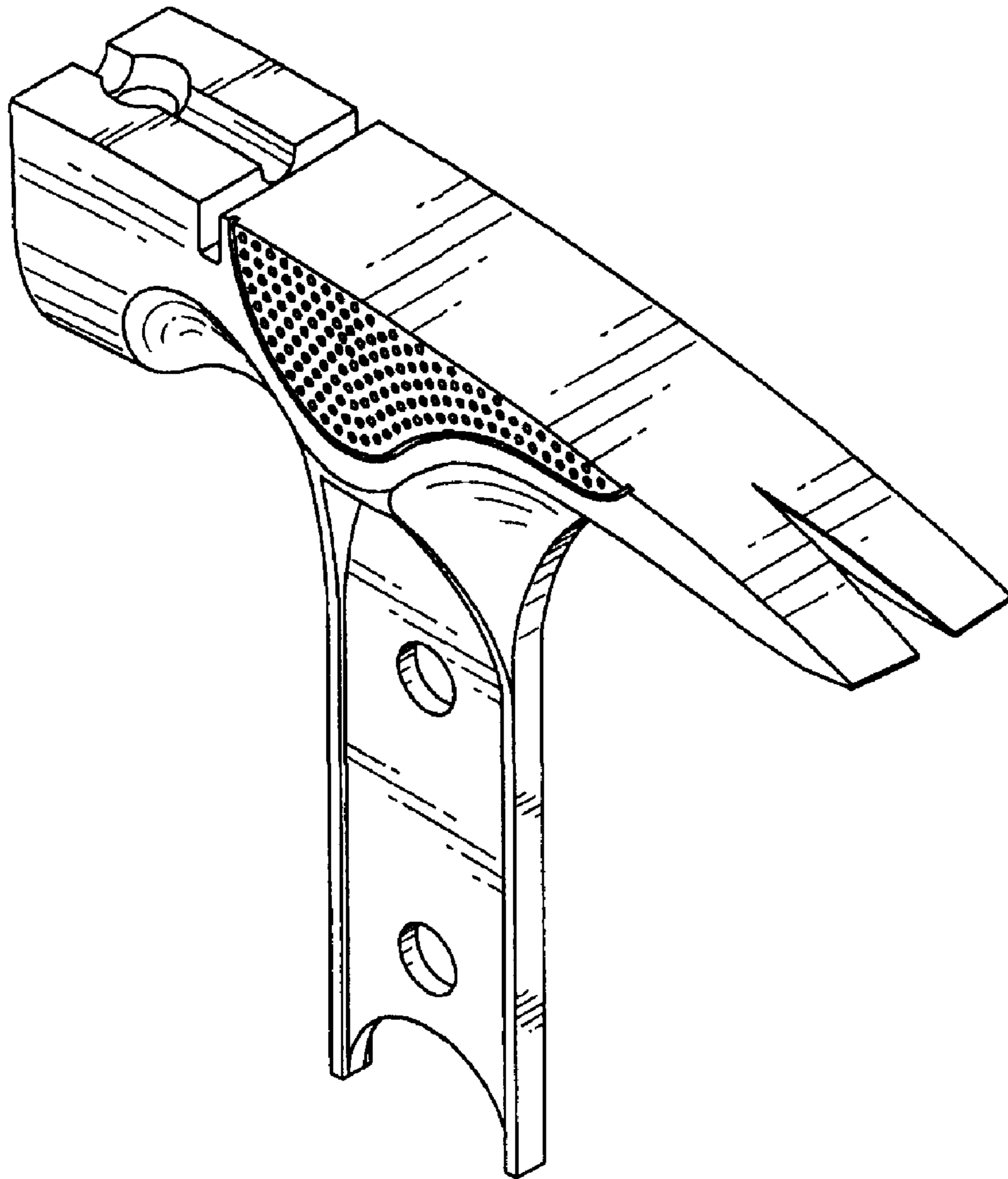


FIG. 1

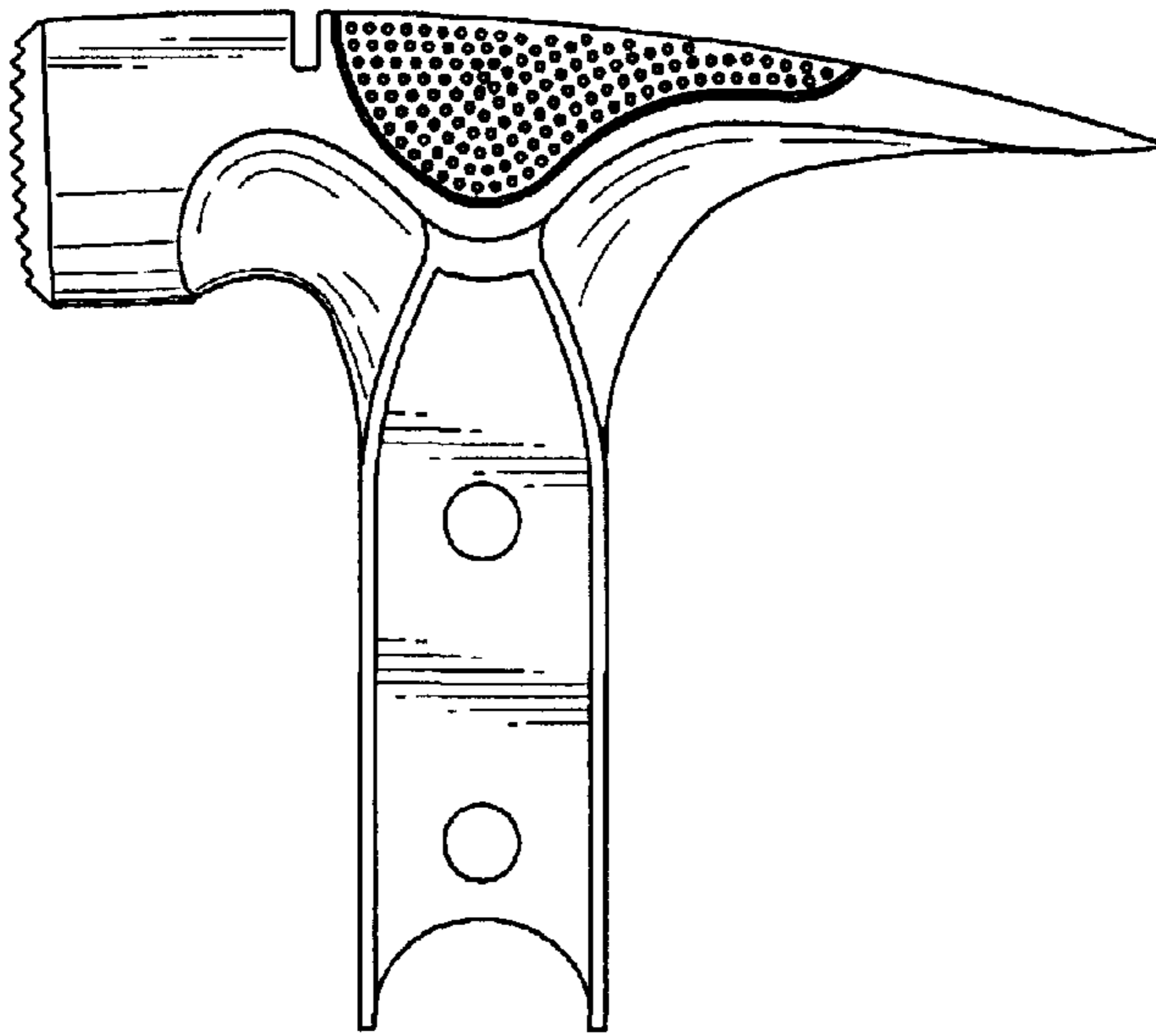


FIG. 2

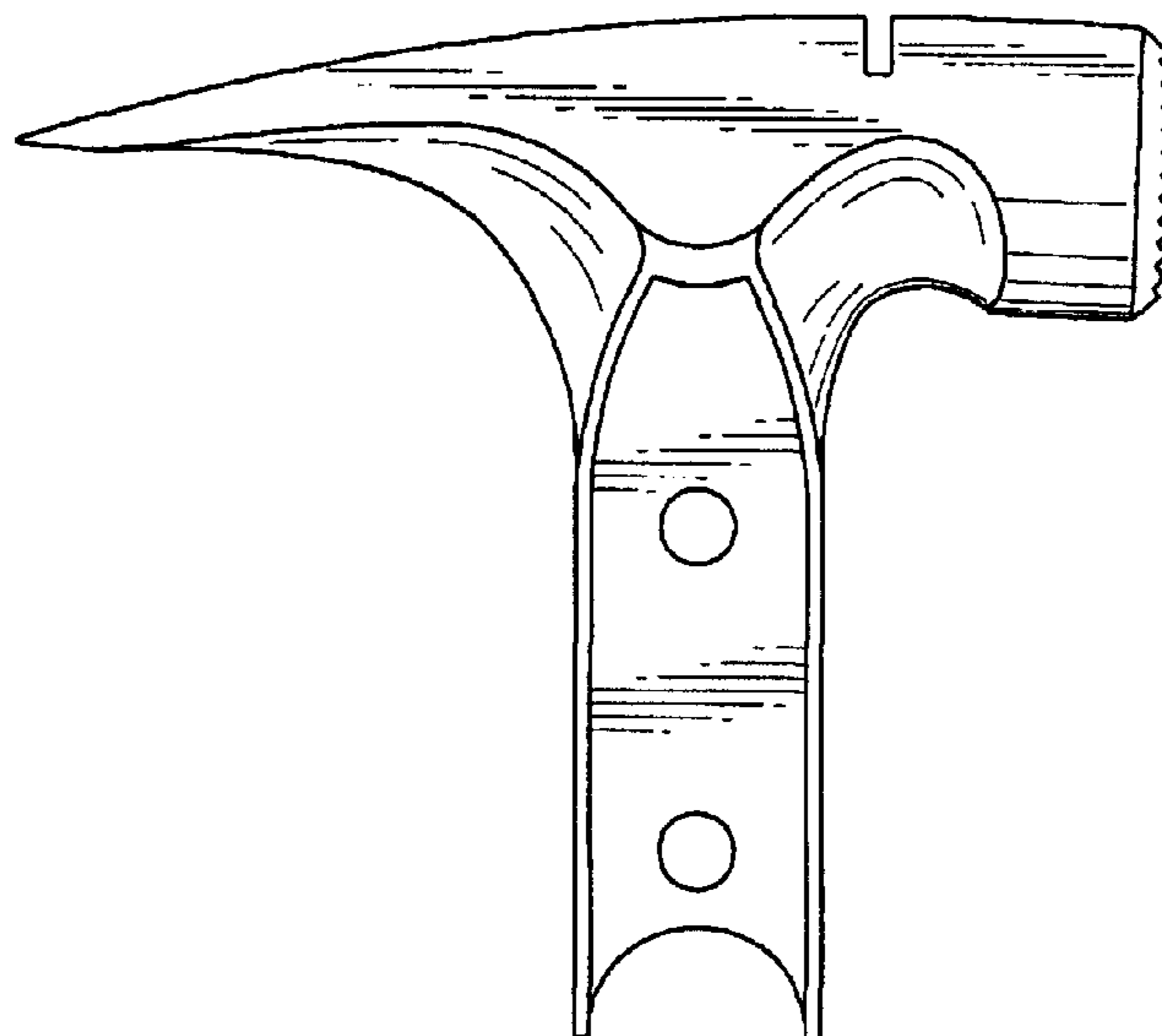


FIG. 3

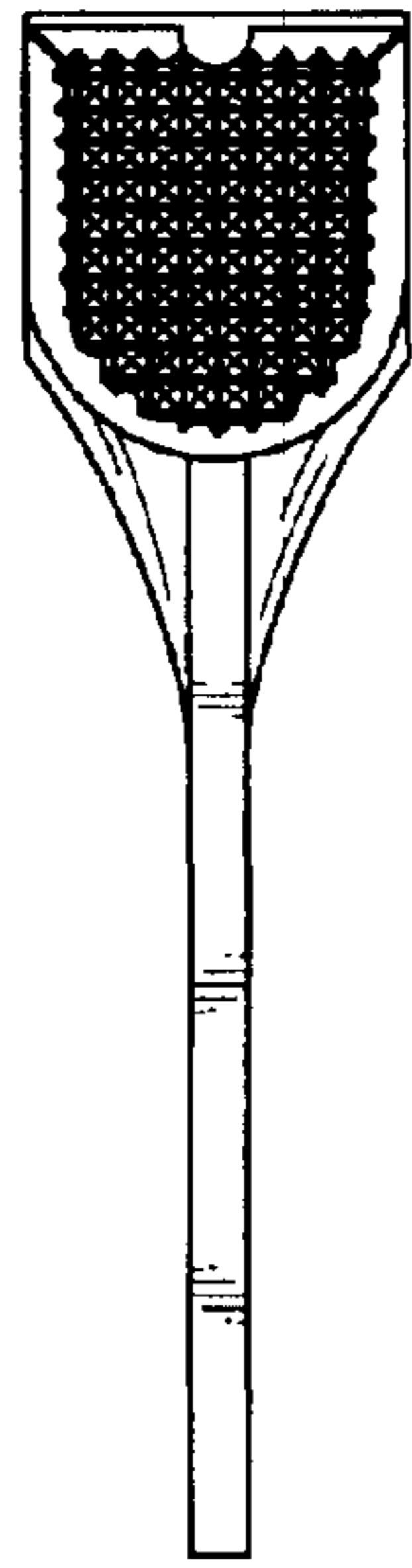


FIG. 4

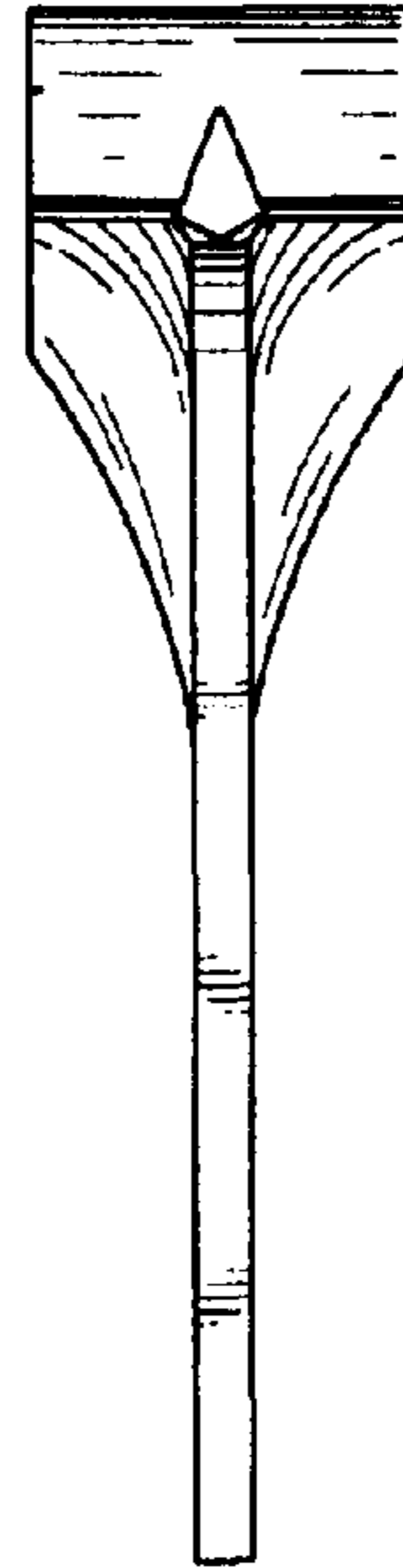


FIG. 5

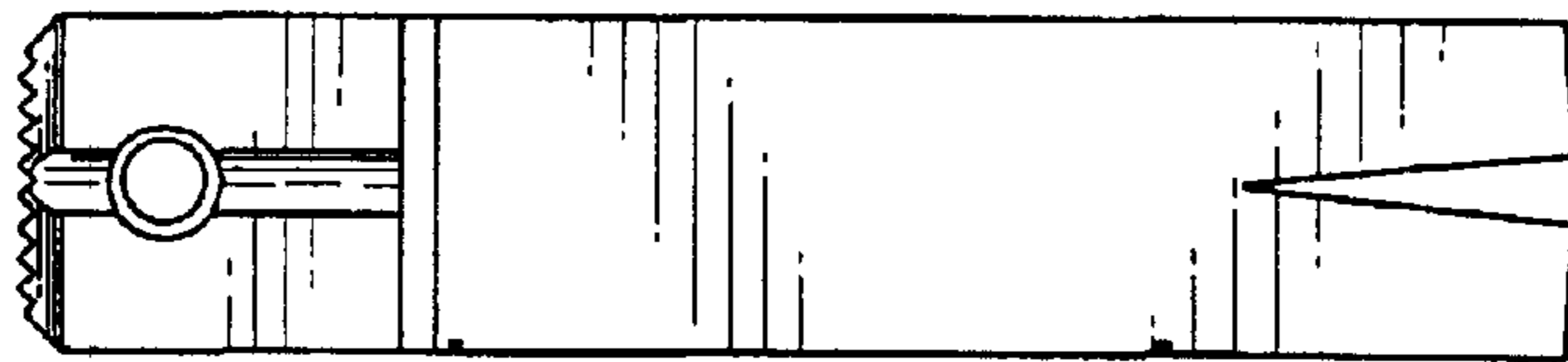


FIG. 6

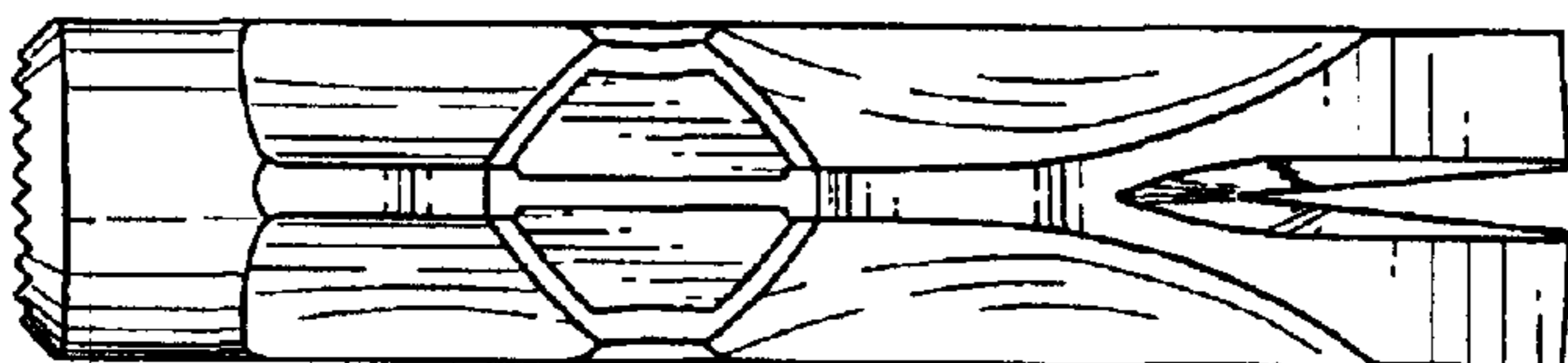


FIG. 7