



US00D530582S

(12) **United States Design Patent** (10) **Patent No.:** **US D530,582 S**
Sleiman (45) **Date of Patent:** **** Oct. 24, 2006**

(54) **SLEDGE HAMMER HEAD**

(76) Inventor: **Tony Sleiman**, 592 Banwell Road,
Windsor, Ontario (CA), N8P 1J8

(**) Term: **14 Years**

(21) Appl. No.: **29/238,069**

(22) Filed: **Sep. 9, 2005**

(51) **LOC (8) Cl.** **08-02**

(52) **U.S. Cl.** **D8/77; D8/78**

(58) **Field of Classification Search** D8/75,
D8/76, 77, 78, 79, 80; 81/19, 20, 21, 22,
81/23, 24; 254/26 R; 7/143, 146

See application file for complete search history.

(56) **References Cited**

U.S. PATENT DOCUMENTS

D257,826 S *	1/1981	Jones	D8/78
D264,931 S *	6/1982	Jones	D8/78
D266,141 S *	9/1982	Nannen	D8/76
4,683,784 A *	8/1987	Lamont	81/22
D300,001 S *	2/1989	Oberg	D8/78
5,056,381 A *	10/1991	Carmein	81/20
5,248,002 A *	9/1993	Williams	81/20
D350,889 S *	9/1994	Frierman	D8/78
5,758,552 A *	6/1998	Myers et al.	81/20

* cited by examiner

Primary Examiner—Philip S. Hyder

(74) *Attorney, Agent, or Firm*—Warn, Hoffman, Miller & LaLone, P.C.

(57) **CLAIM**

The ornamental design for a sledge hammer head, as shown and described.

DESCRIPTION

FIG. 1 is perspective view of a sledge hammer head of the present invention;

FIG. 2 is top plan view of the sledge hammer head of FIG. 1;

FIG. 3 is side view of the sledge hammer head of FIG. 1 as seen from the right hand side of FIG. 1;

FIG. 4 is a bottom plan view of the sledge hammer head of FIG. 1;

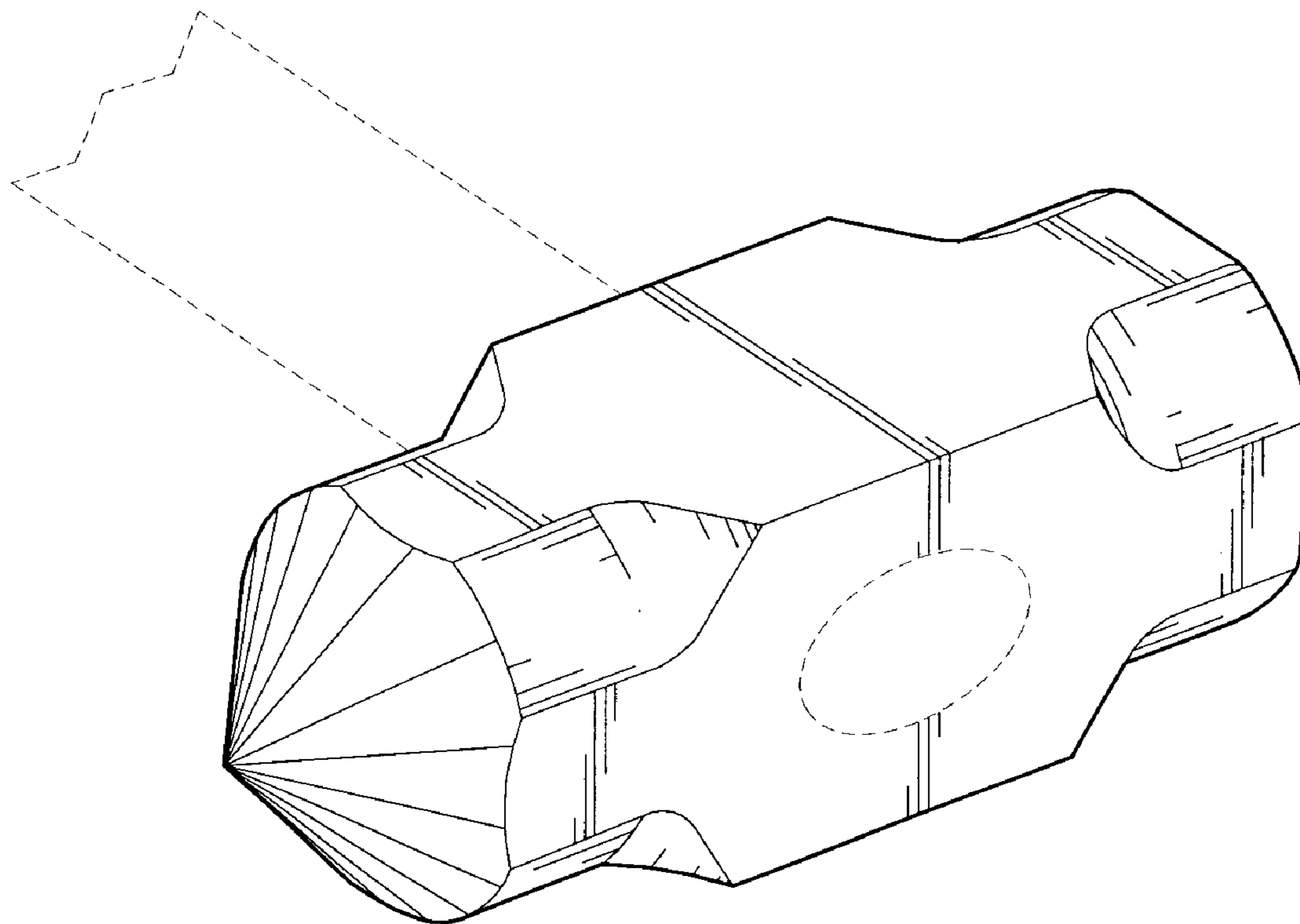
FIG. 5 is a side view of the sledge hammer head of FIG. 1 as seen from the left hand side of FIG. 1;

FIG. 6 is a rear view of the sledge hammer head of FIG. 1; and,

FIG. 7 is a front view of the sledge hammer head of FIG. 1.

The broken line showings of the handle are for illustrative purposes only and form no part of the claimed design.

1 Claim, 3 Drawing Sheets



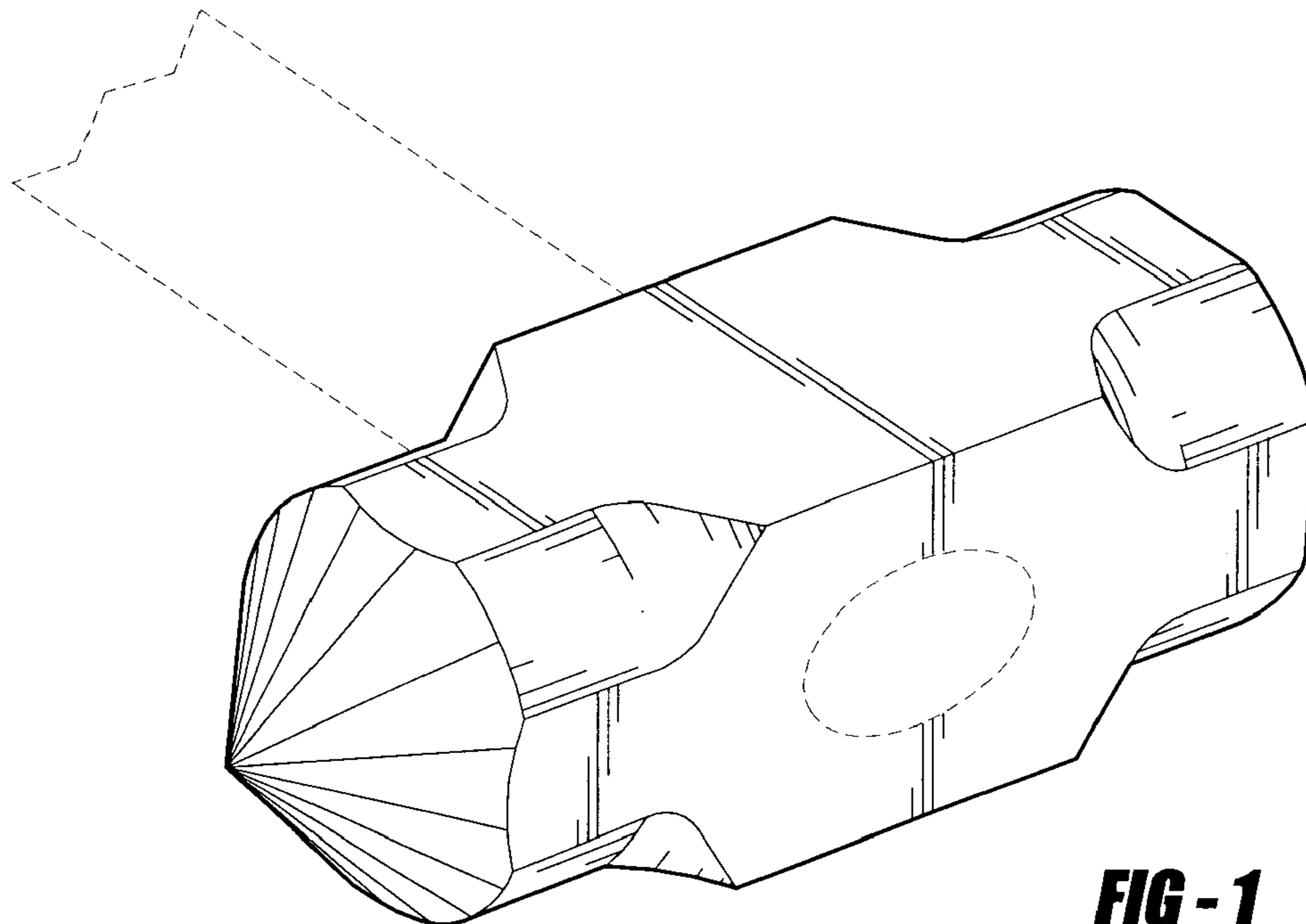


FIG - 1

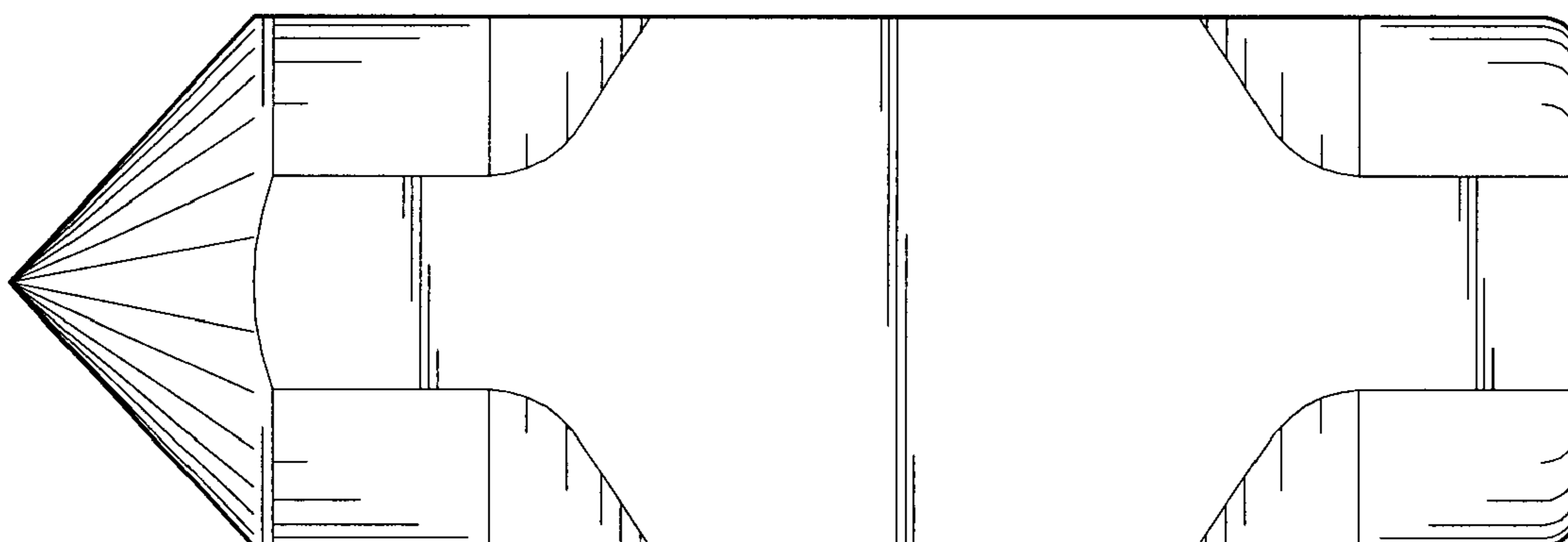


FIG - 2

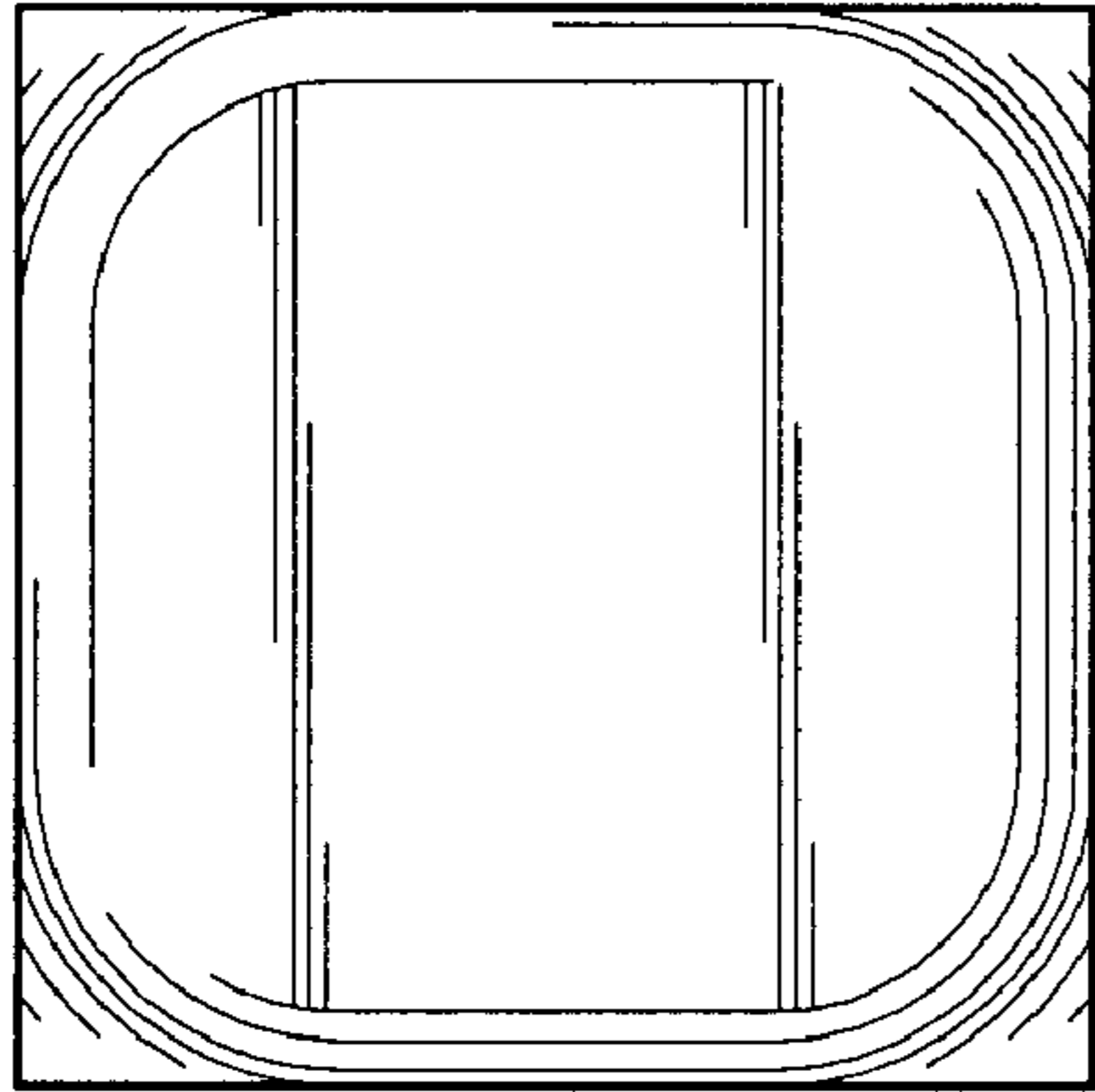


FIG - 3

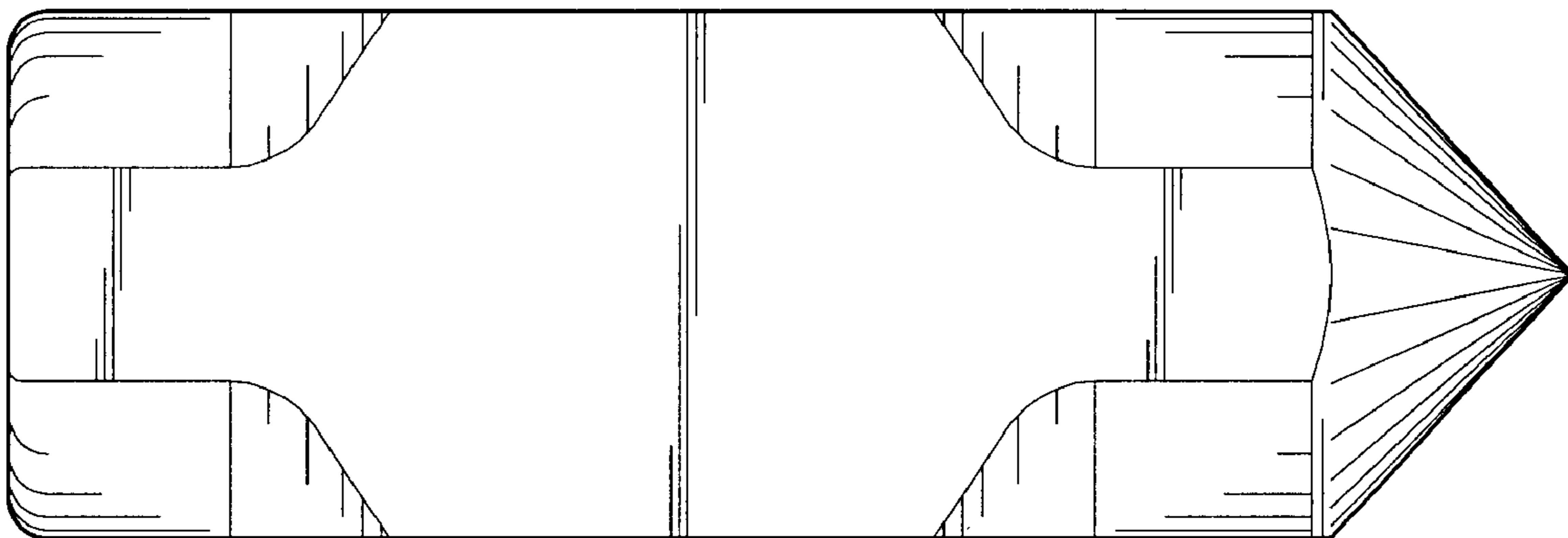


FIG - 4

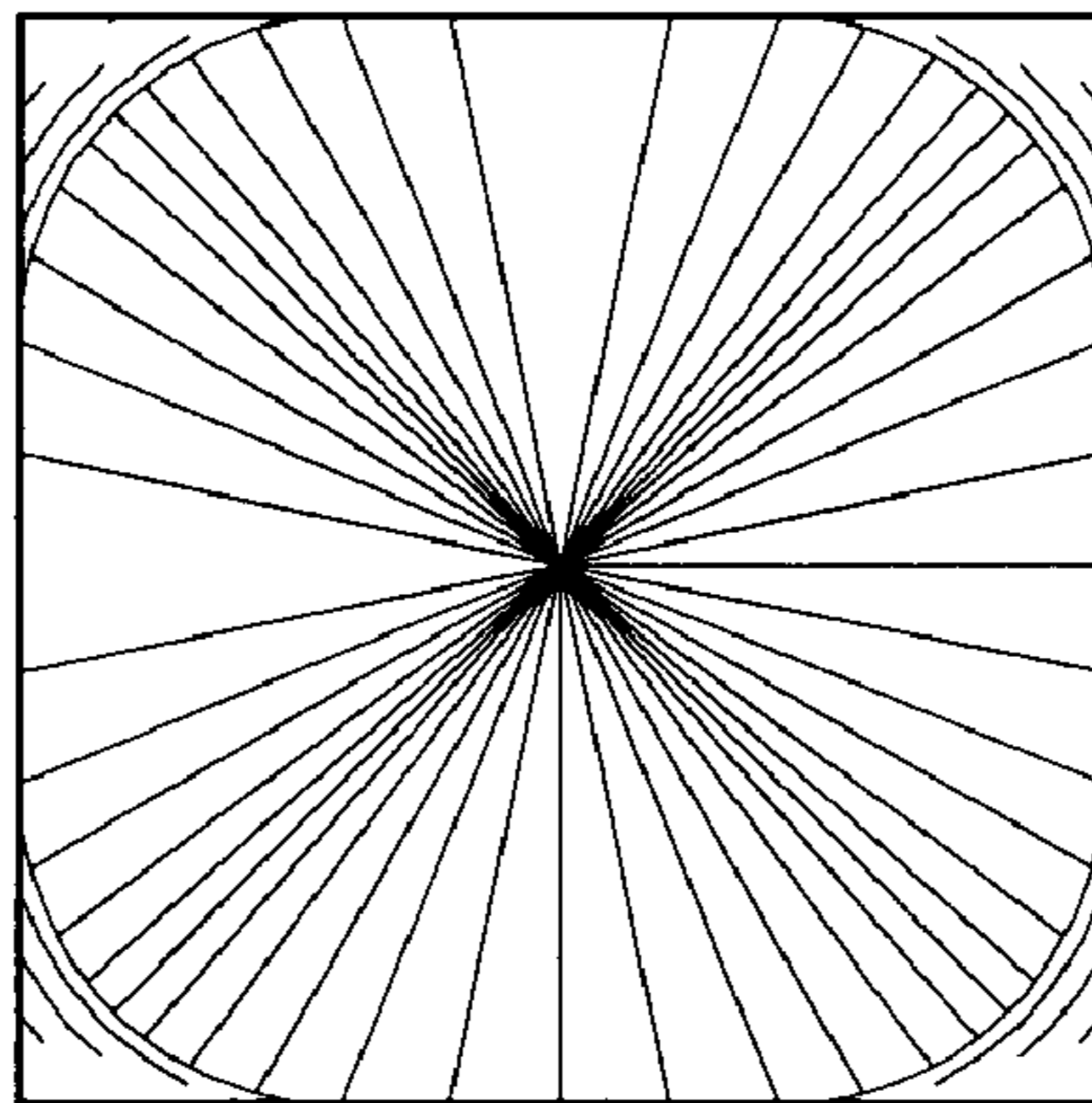


FIG - 5

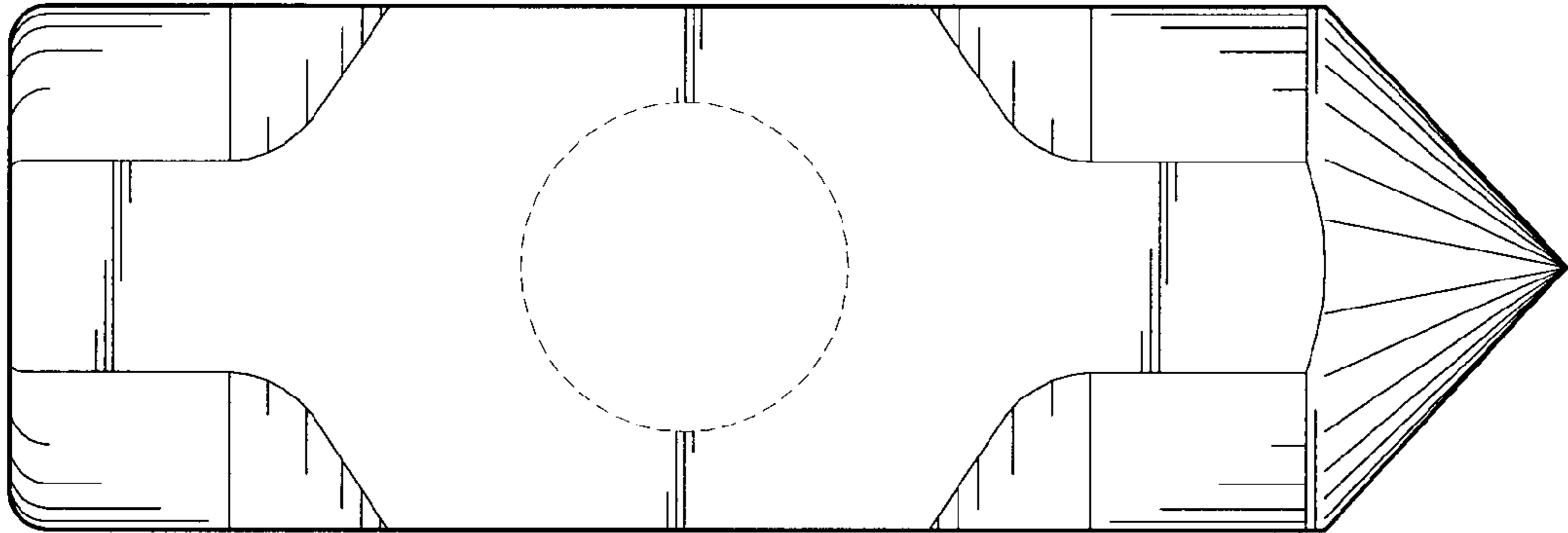


FIG - 6

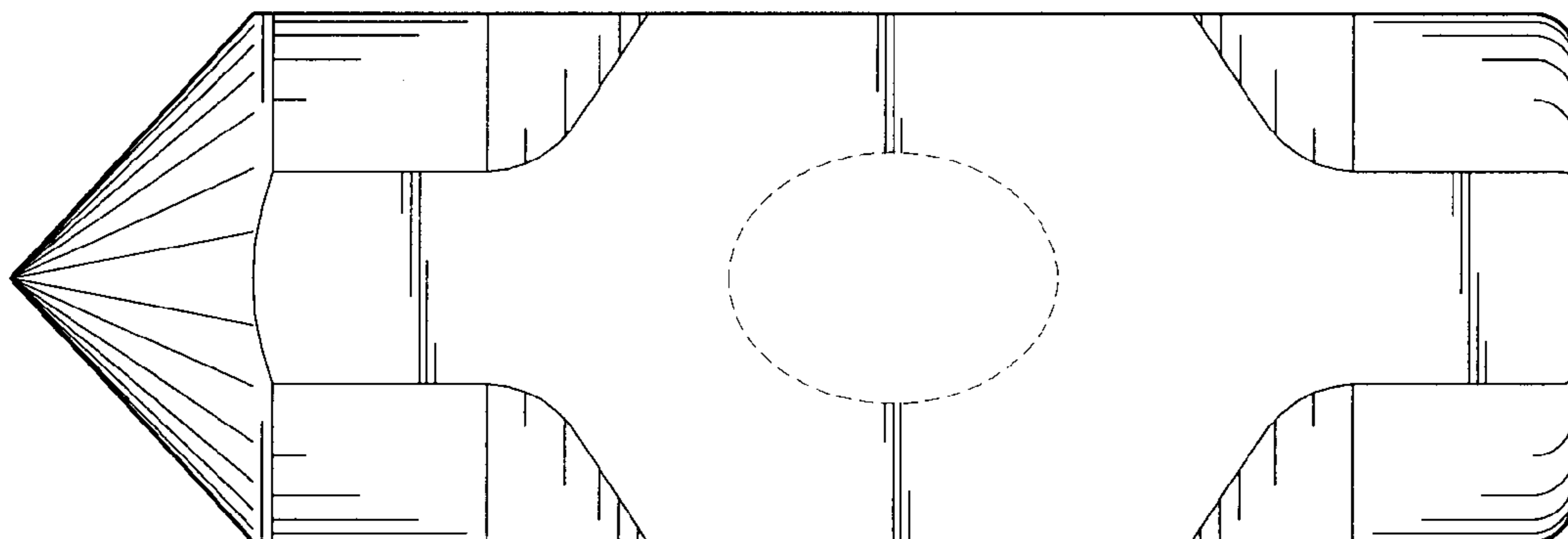


FIG - 7