



US00D530581S

(12) **United States Design Patent**
Ino et al.

(10) **Patent No.:** **US D530,581 S**
(45) **Date of Patent:** **** Oct. 24, 2006**

(54) **ELECTRIC SCREW DRIVER BODY**

(75) Inventors: **Tomoaki Ino**, Hikone (JP); **Masashi Nomura**, Narashino (JP)

(73) Assignee: **Matsushita Electric Works, Ltd.**, Osaka (JP)

(**) Term: **14 Years**

(21) Appl. No.: **29/254,482**

(22) Filed: **Feb. 24, 2006**

(30) **Foreign Application Priority Data**

Aug. 24, 2005 (JP) 2005-024434

(51) **LOC (8) Cl.** **08-04**

(52) **U.S. Cl.** **D8/69**

(58) **Field of Classification Search** D8/14.1, D8/61, 62, 63, 64, 65, 66, 67, 68, 69, 70; 81/57.11, 429, 464, 465, 466, 469, 489; 173/13, 173/104, 114, 168, 169, 170, 171, 178, 201, 173/211, 213, 217; 408/20, 124, 125, 234, 408/241 R; 451/358; 310/50; 227/8, 113, 227/114, 120, 130, 136, 142

See application file for complete search history.

(56) **References Cited**

U.S. PATENT DOCUMENTS

- D413,244 S * 8/1999 Robson D8/69
- D431,766 S * 10/2000 Zurwelle D8/69
- D447,036 S * 8/2001 Netzler D8/69
- 6,446,734 B1 * 9/2002 Williams et al. 173/213
- 6,543,549 B1 * 4/2003 Riedl et al. 310/50
- 6,634,439 B1 * 10/2003 Driessen 173/170
- 6,641,467 B1 * 11/2003 Robson et al. 408/20

- D485,738 S * 1/2004 Pretzell D8/69
- 6,902,356 B1 * 6/2005 Breitenmoser 408/124
- 2002/0017548 A1 * 2/2002 Jalbert et al. 227/136
- 2002/0050368 A1 * 5/2002 Driessen 173/217
- 2003/0094294 A1 * 5/2003 Fritz 173/217
- 2004/0029508 A1 * 2/2004 Robson et al. 451/358

FOREIGN PATENT DOCUMENTS

GB 2105552 S * 10/2001

* cited by examiner

Primary Examiner—T. Chase Nelson

(74) *Attorney, Agent, or Firm*—Osha Liang LLP

(57) **CLAIM**

The ornamental design for an electric screw driver body, as shown and described.

DESCRIPTION

FIG. 1 shows a front perspective view of the design according to the embodiment of the invention.

FIG. 2 shows a rear perspective view of the design according to the embodiment of the invention.

FIG. 3 shows a right side view of the design according to the embodiment of the invention.

FIG. 4 shows a left side view of the design according to the embodiment of the invention.

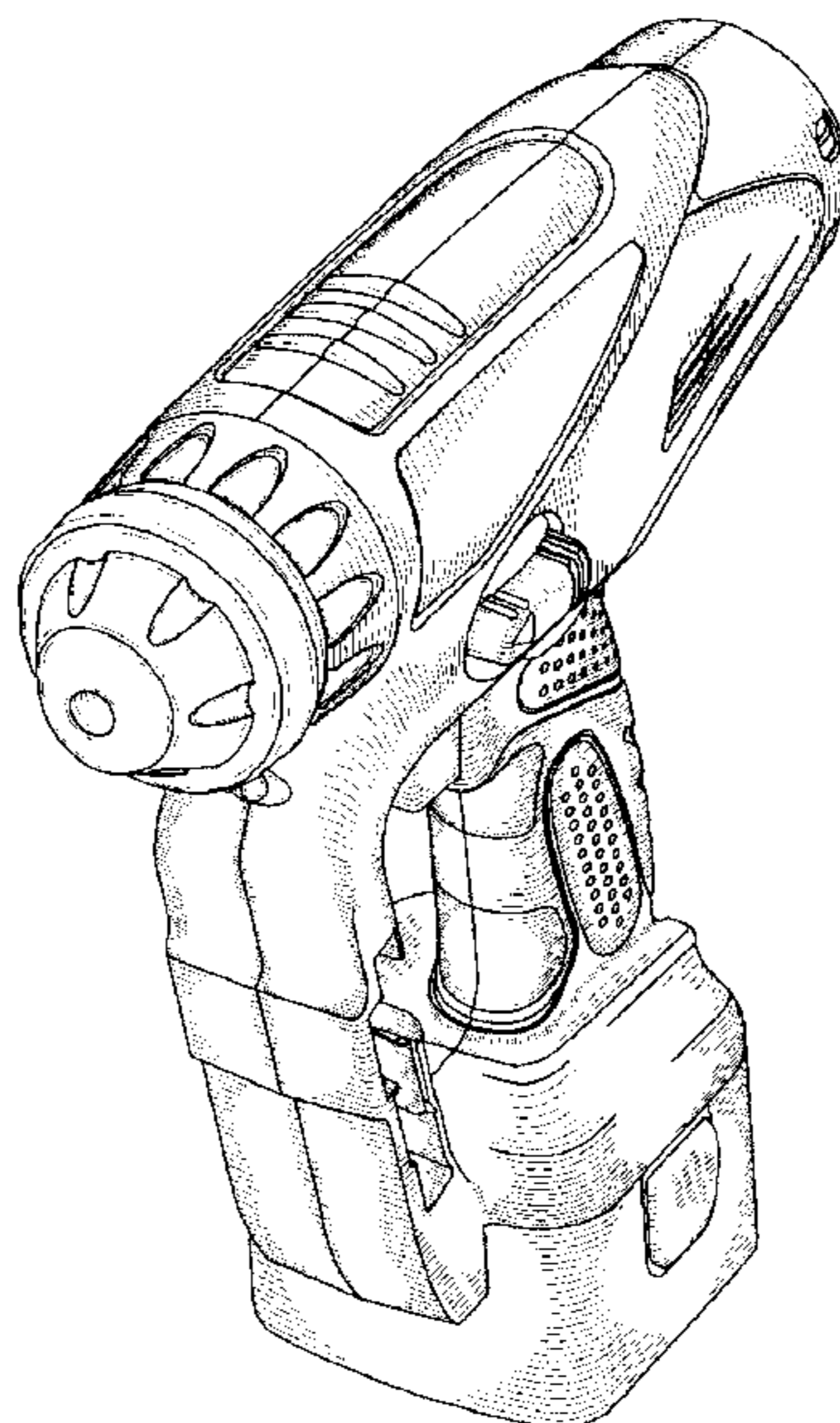
FIG. 5 shows a top view of the design according to the embodiment of the invention.

FIG. 6 shows a bottom view of the design according to the embodiment of the invention.

FIG. 7 shows a front view of the design according to the embodiment of the invention; and,

FIG. 8 shows a rear view of the design according to the embodiment of the invention.

1 Claim, 3 Drawing Sheets



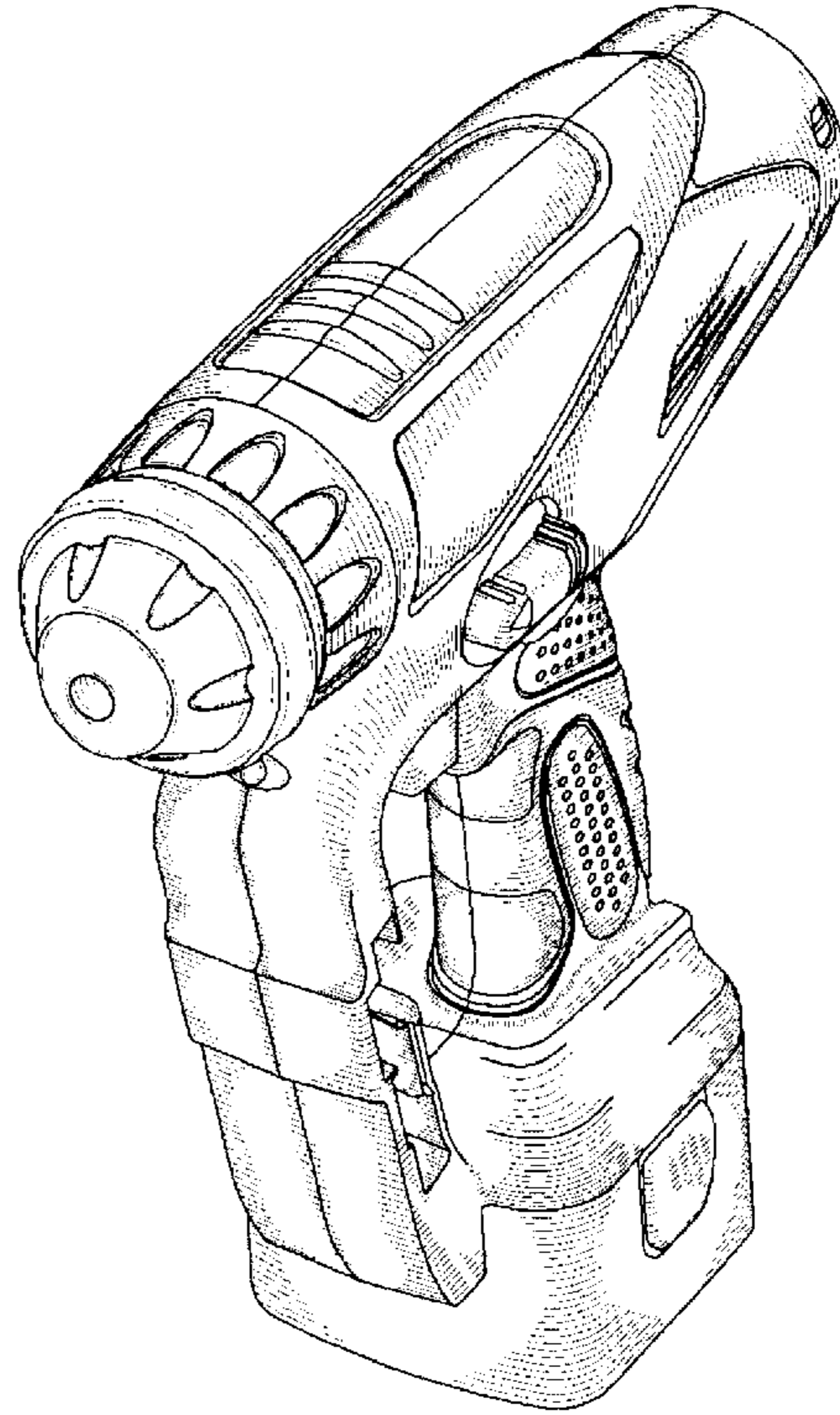


FIG. 1

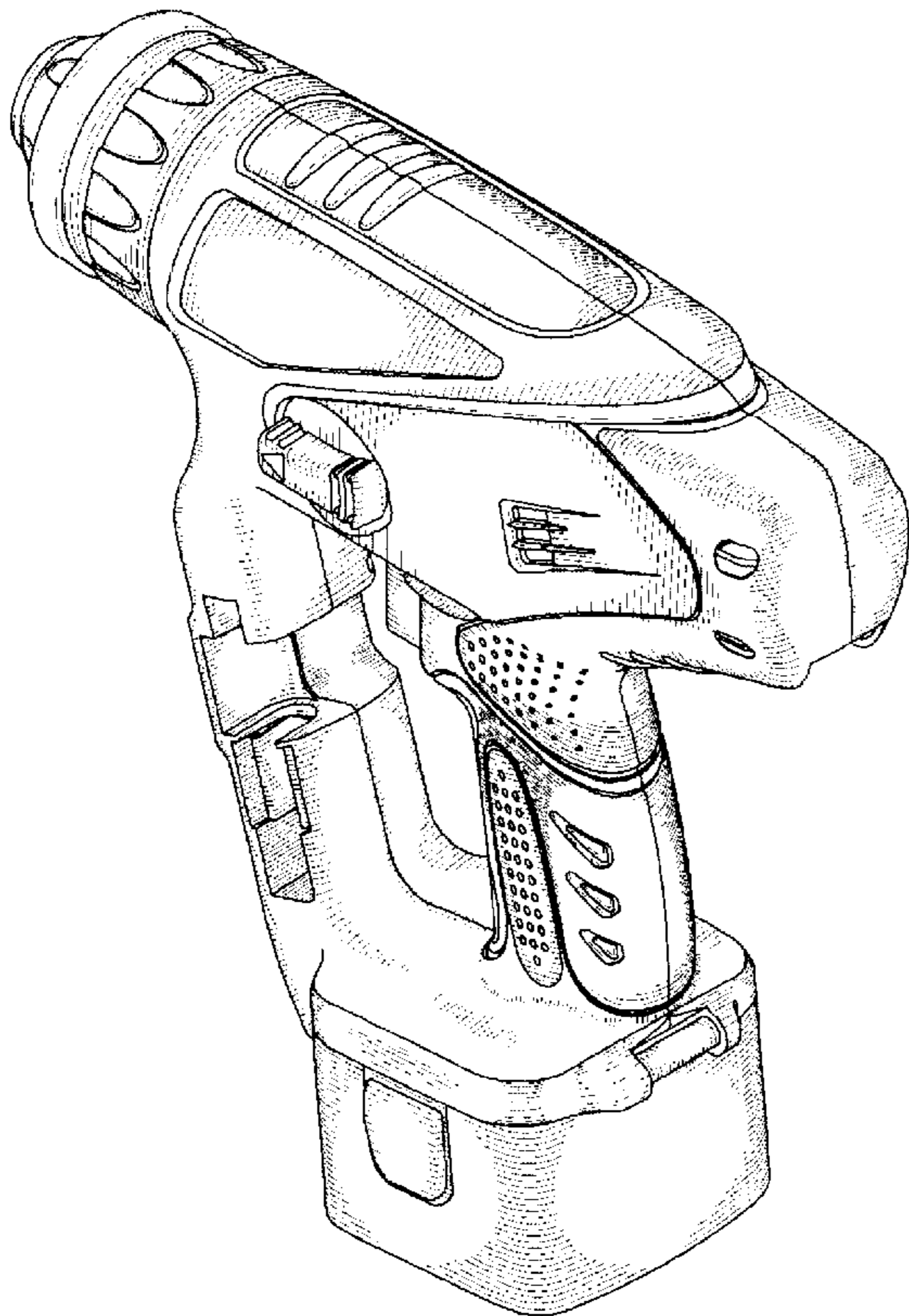


FIG. 2

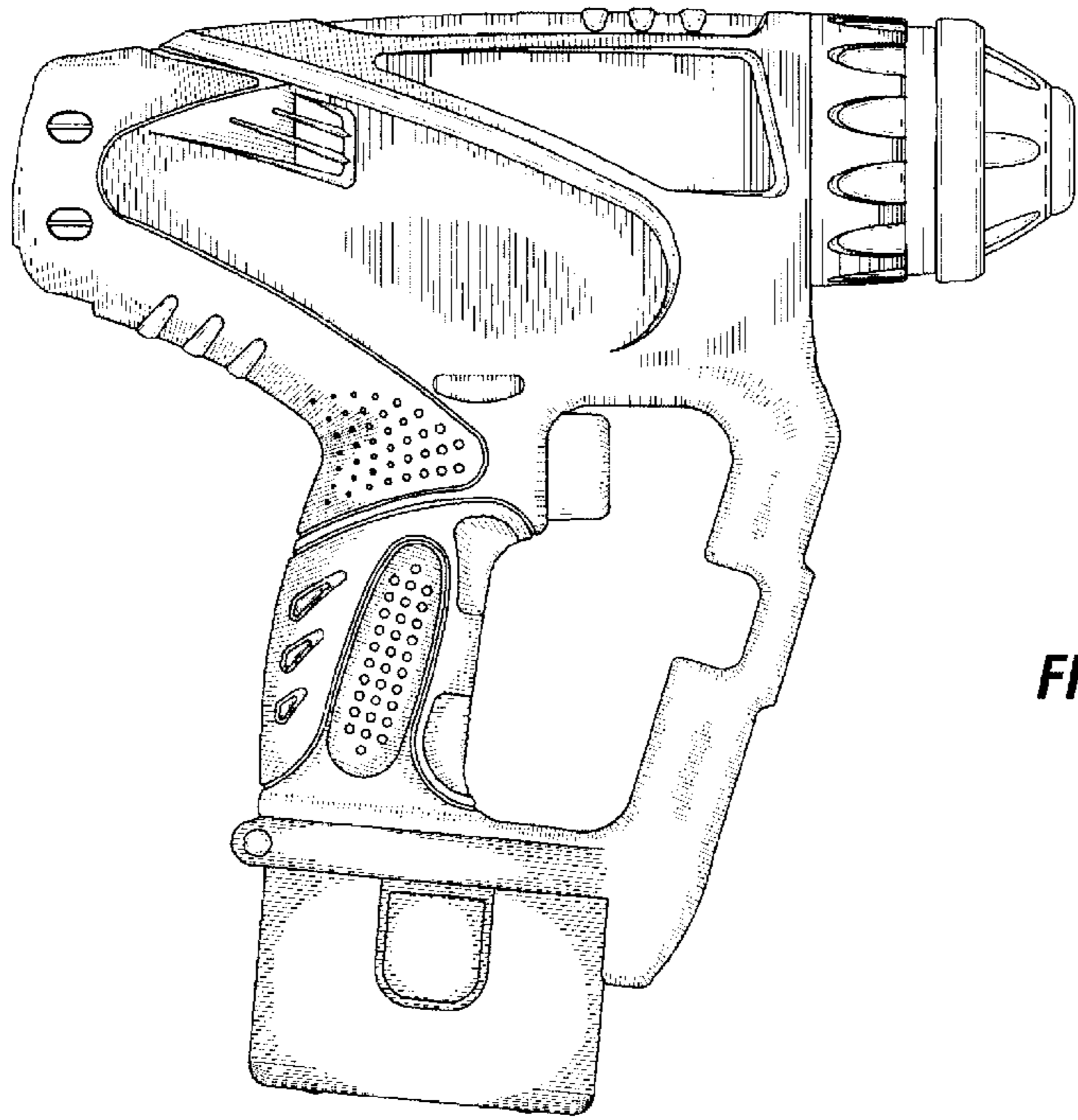


FIG. 3

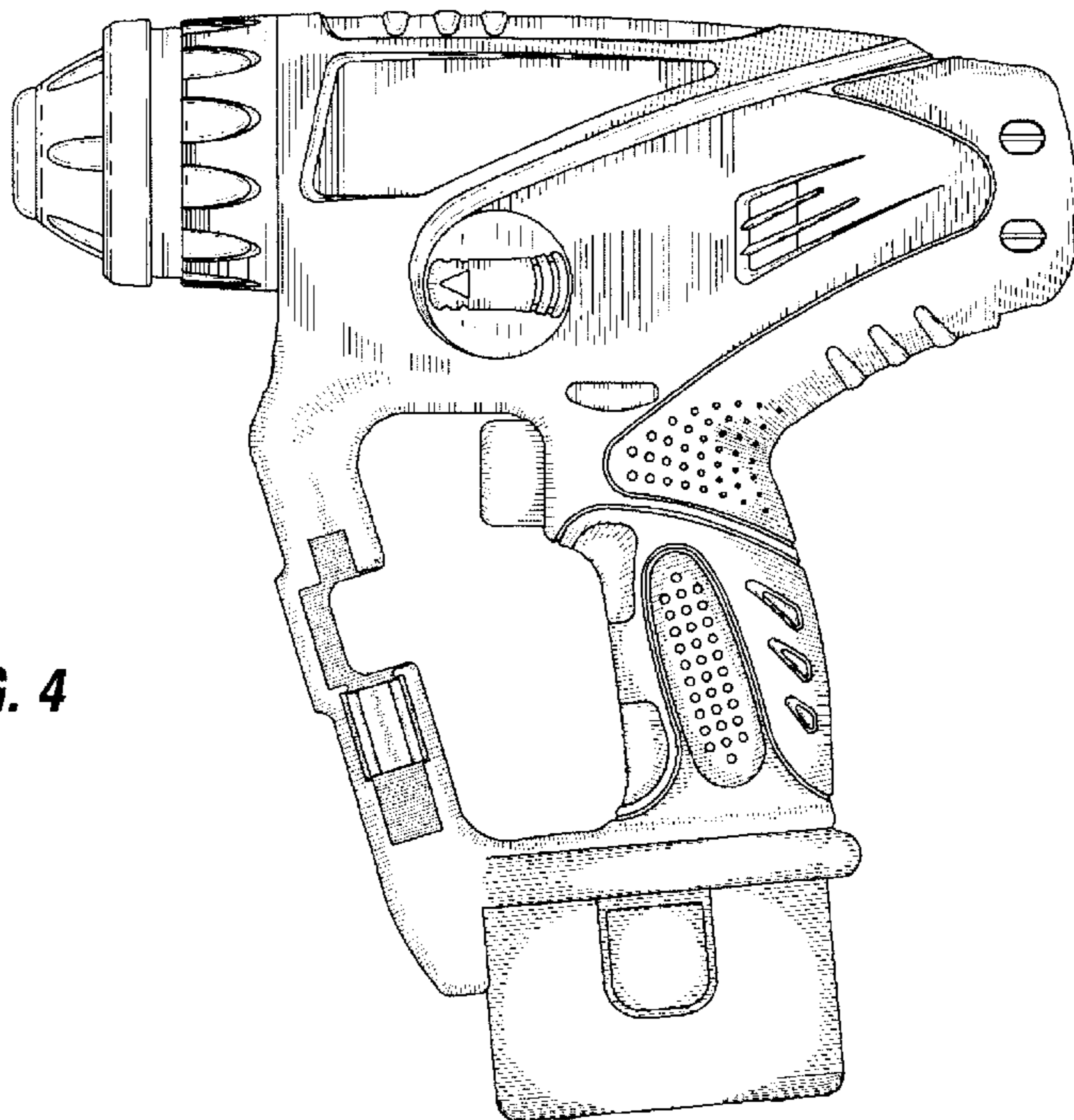


FIG. 4

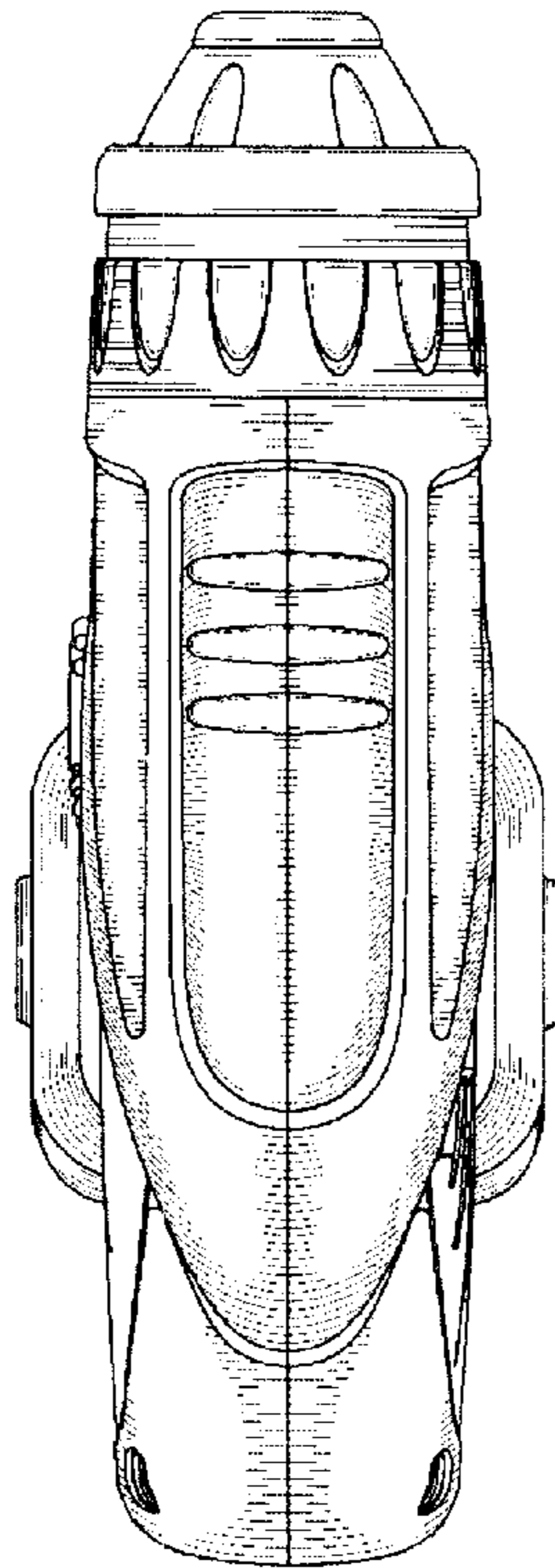


FIG. 5

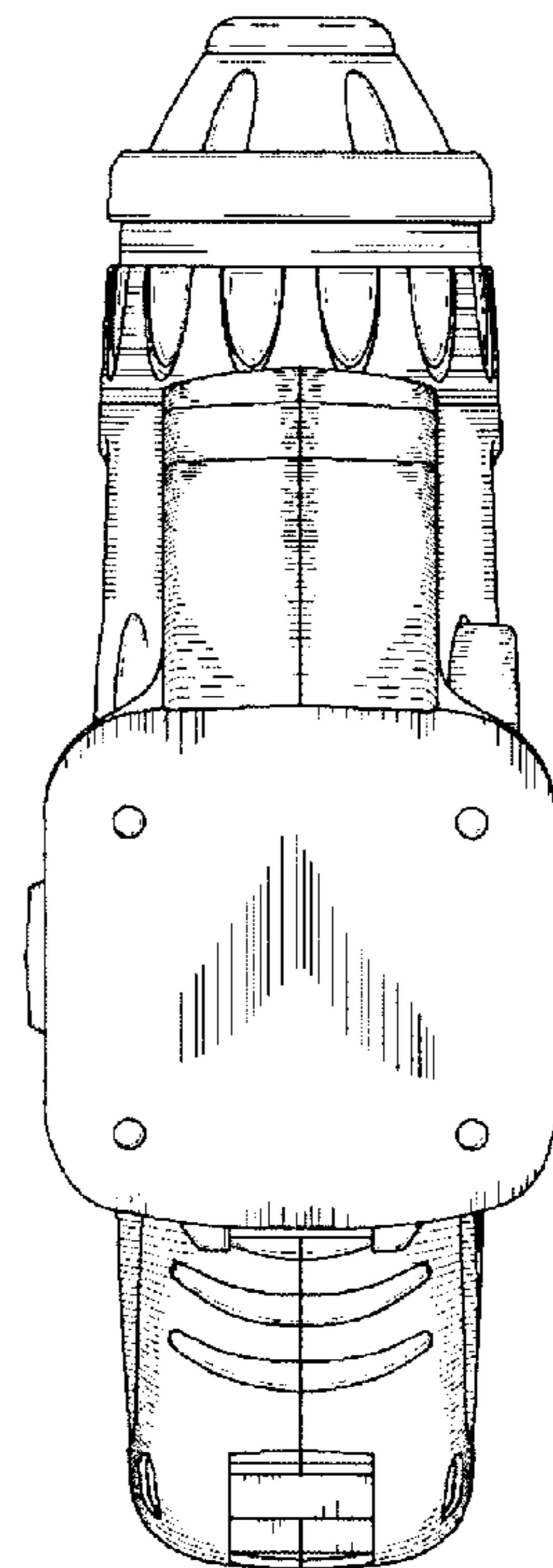


FIG. 6

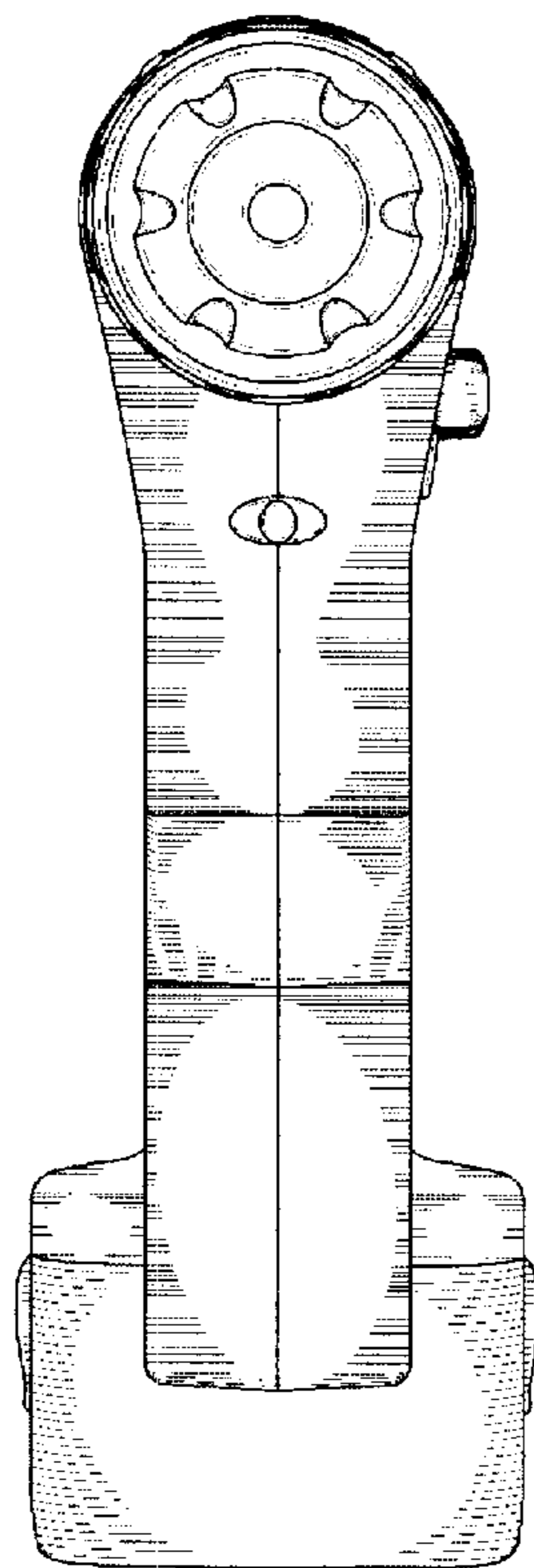


FIG. 7

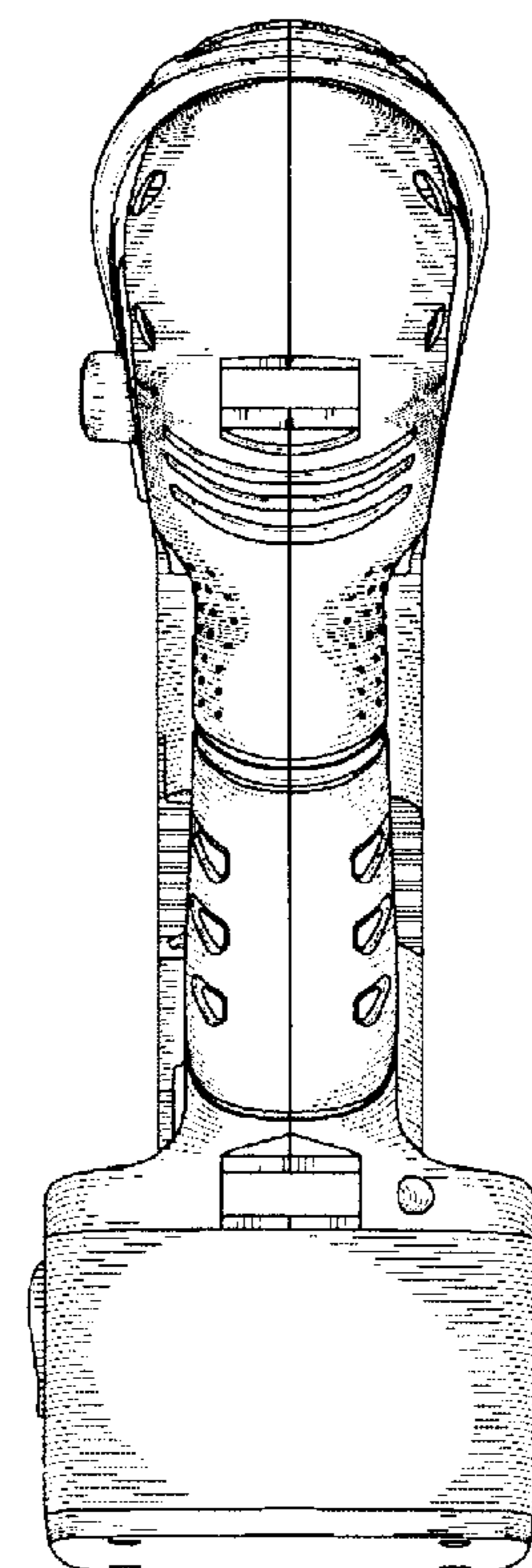


FIG. 8