



US00D530579S

(12) **United States Design Patent**
Waldron

(10) **Patent No.:** **US D530,579 S**

(45) **Date of Patent:** **** Oct. 24, 2006**

(54) **POWER SANDER**

(75) Inventor: **Michael Waldron**, County Durham
(GB)

(73) Assignee: **GMCA PTY Ltd.** (AU)

(**) Term: **14 Years**

(21) Appl. No.: **29/231,978**

(22) Filed: **Jun. 13, 2005**

(30) **Foreign Application Priority Data**

Mar. 9, 2005 (AU) 10902/2005

(51) **LOC (8) Cl.** **08-01**

(52) **U.S. Cl.** **D8/62**

(58) **Field of Classification Search** D8/67,
D8/62, 61; D32/15, 17, 19; D4/102; 451/456,
451/451, 359, 358, 357, 356, 355, 354, 353,
451/351, 344

See application file for complete search history.

(56) **References Cited**

U.S. PATENT DOCUMENTS

D329,362 S * 9/1992 Saito et al. D8/62
D352,437 S * 11/1994 Chunn et al. D8/62
D448,262 S * 9/2001 Heun D8/62
6,454,640 B1 * 9/2002 Siedler et al. 451/357
6,514,131 B1 * 2/2003 Reich et al. 451/344

D478,488 S * 8/2003 Bruno et al. D8/62
D501,775 S * 2/2005 Tillman et al. D8/62
6,857,948 B1 * 2/2005 Bocka et al. 451/356
D503,600 S * 4/2005 Bian D8/62
D507,731 S * 7/2005 Robson D8/62
D509,722 S * 9/2005 Wikle et al. D8/62
2005/0085172 A1 * 4/2005 Gansel et al. 451/356
2005/0221738 A1 * 10/2005 Cooper et al. 451/357

* cited by examiner

Primary Examiner—Cathron C. Brooks

Assistant Examiner—Austin Murphy

(74) *Attorney, Agent, or Firm*—McKee, Voorhees & Sease,
P.L.C.

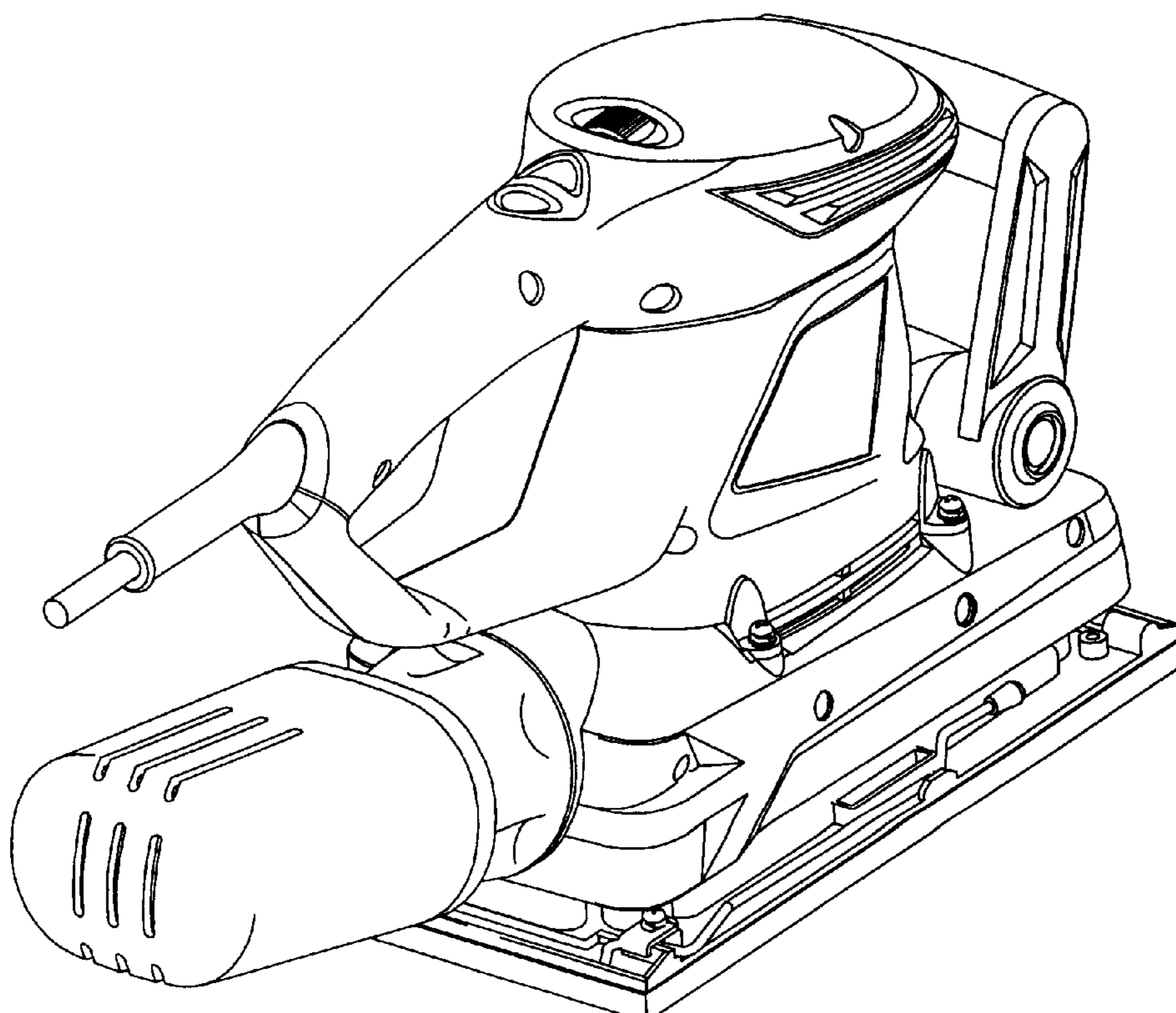
(57) **CLAIM**

I claim the ornamental design for a power sander, substantially as shown.

DESCRIPTION

FIG. 1 is a front view of the power sander.
FIG. 2 is a rear view of the power sander.
FIG. 3 is a side view of the power sander.
FIG. 4 is an opposite side view of the power sander.
FIG. 5 is a top view of the power sander.
FIG. 6 is a bottom view of the power sander.
FIG. 7 is a side perspective view of the power sander; and,
FIG. 8 is an opposite side perspective view of the power sander.

1 Claim, 3 Drawing Sheets



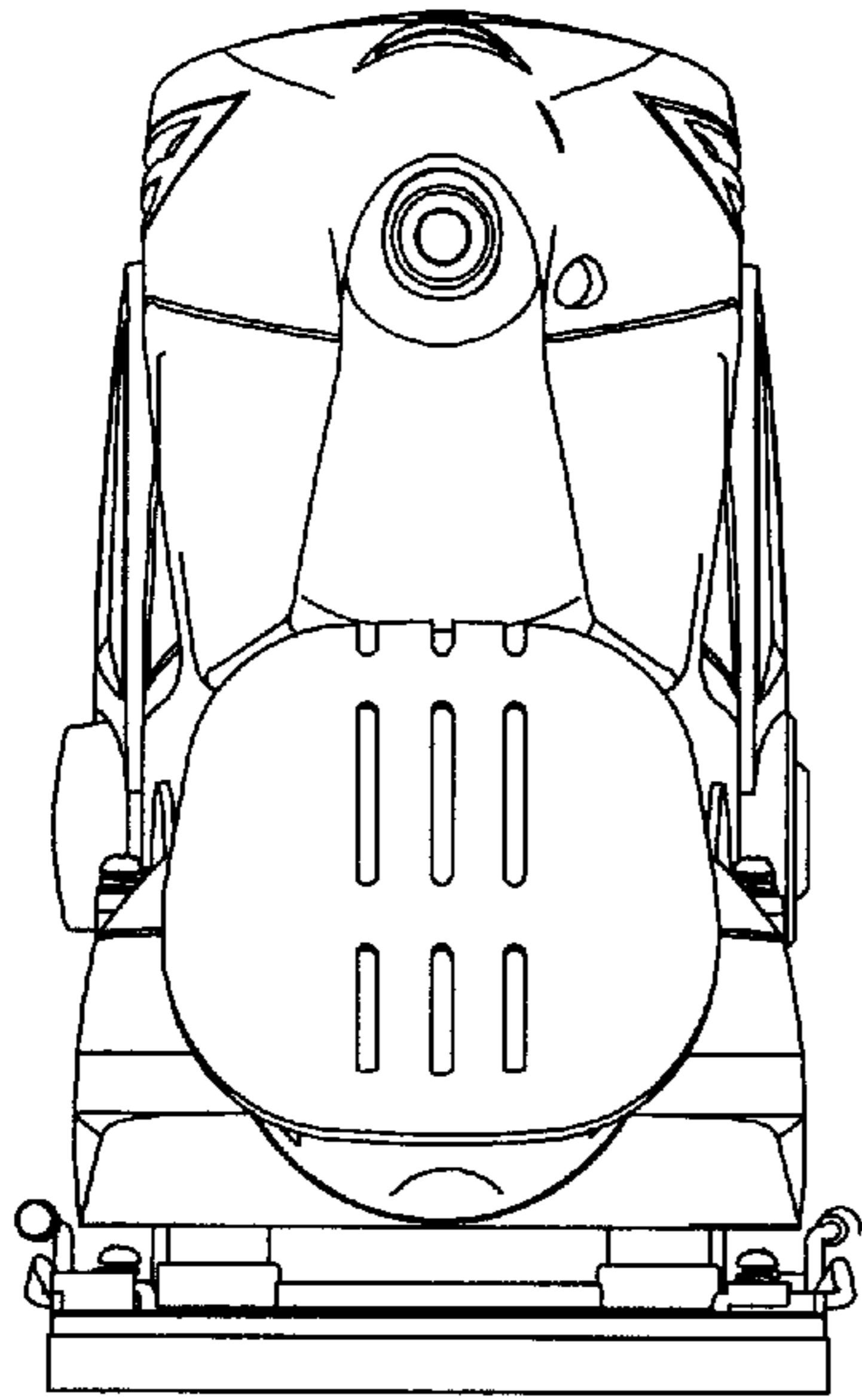


FIG. 1

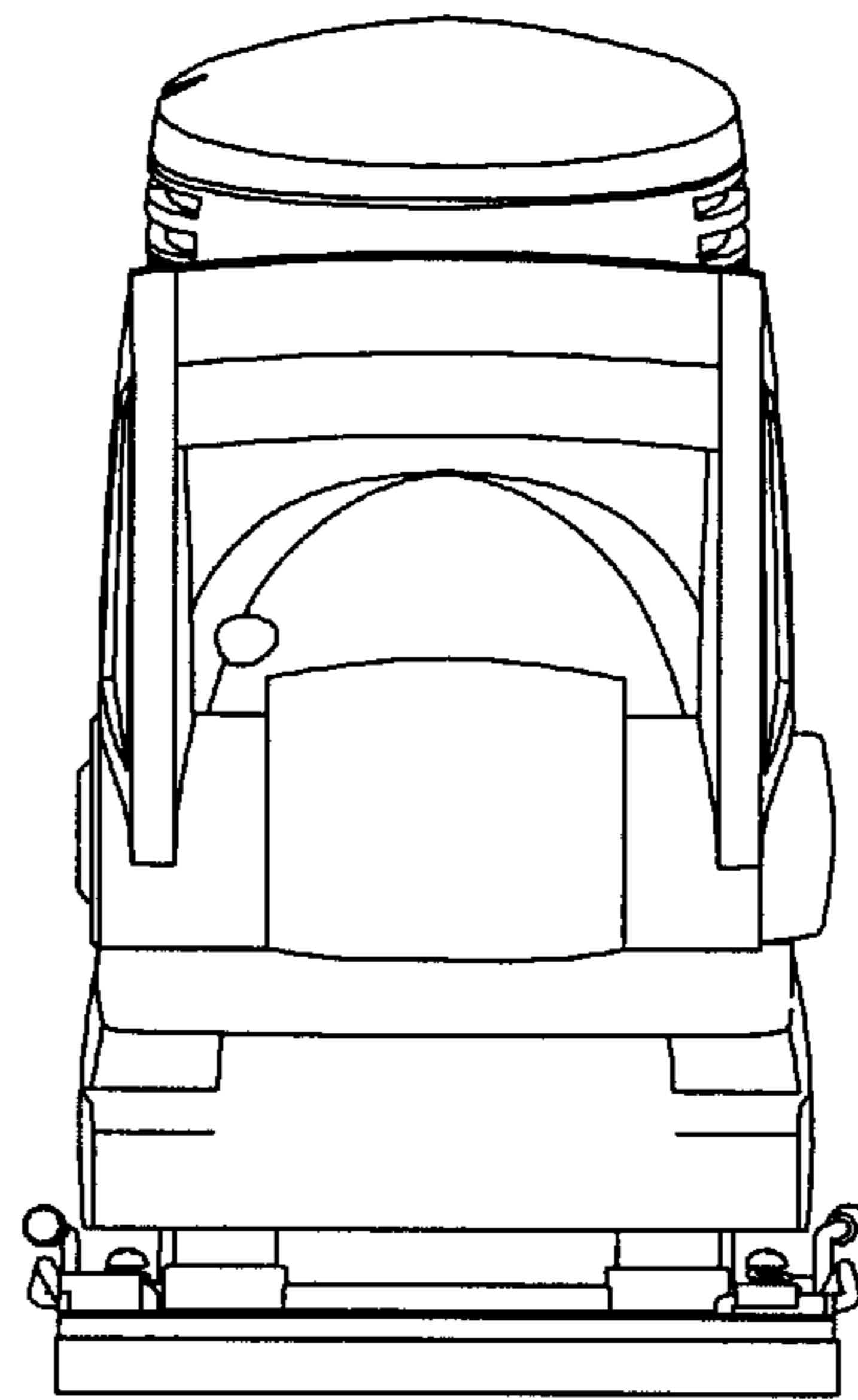


FIG. 2

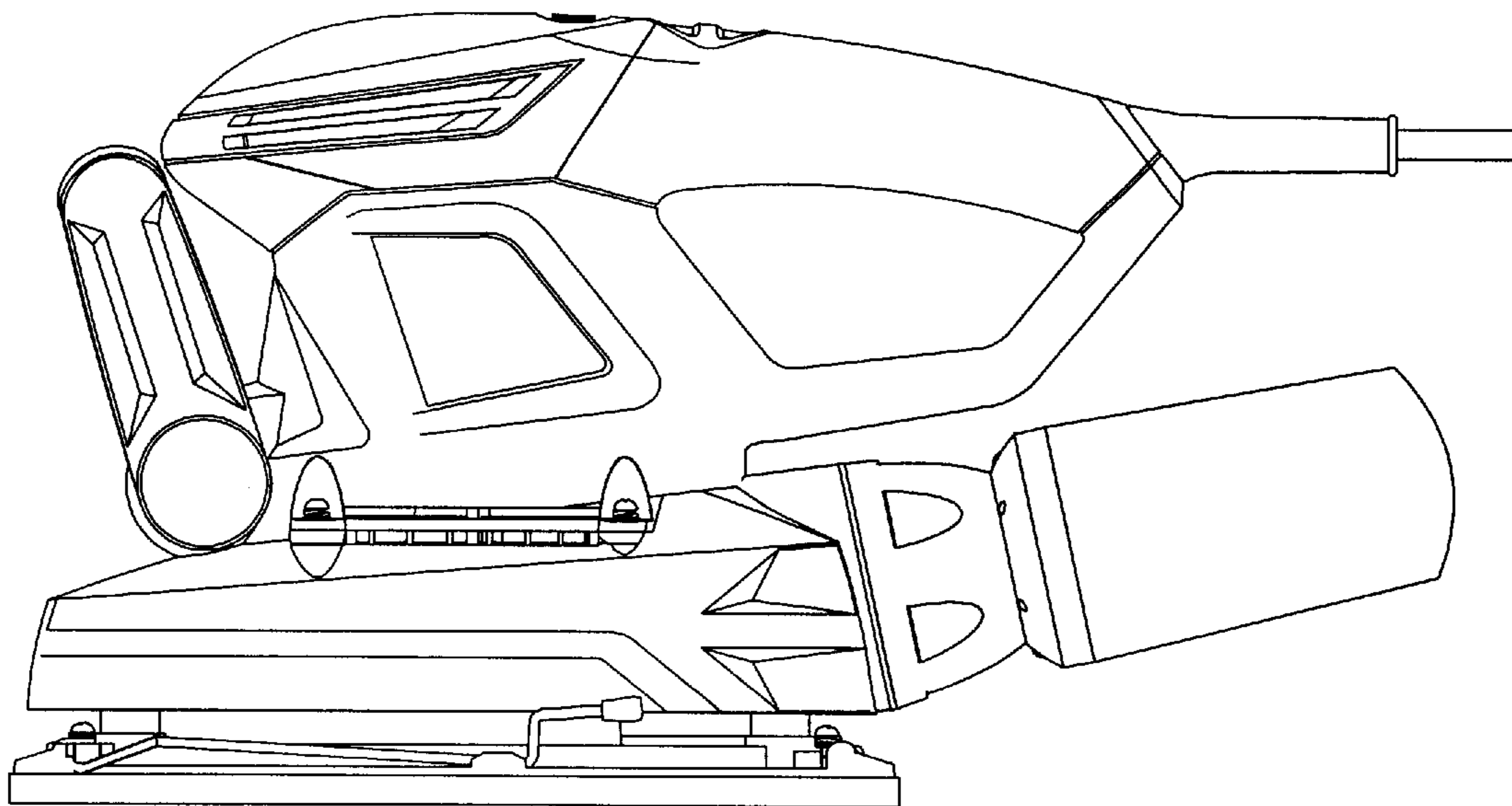


FIG. 3

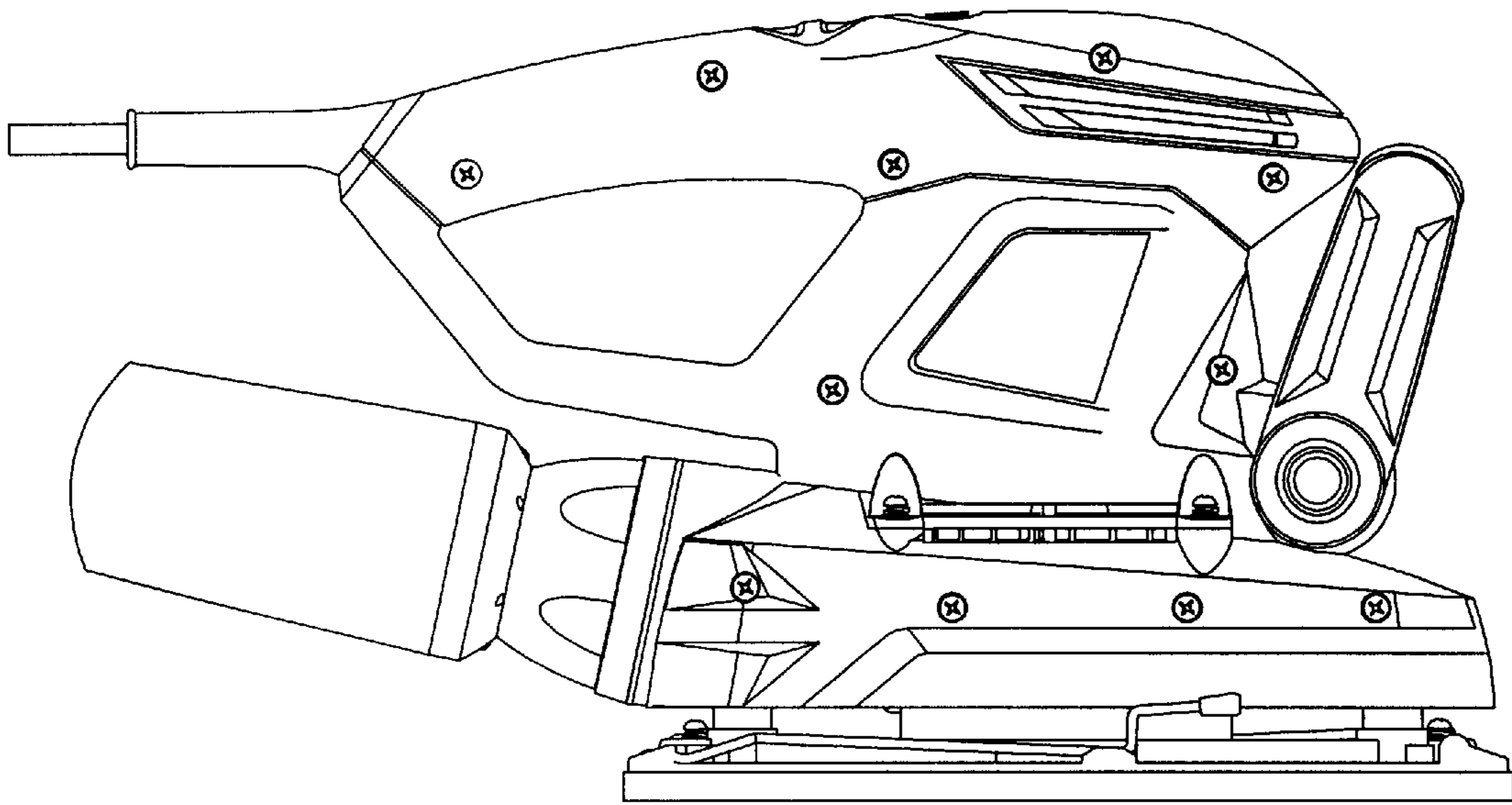


FIG. 4

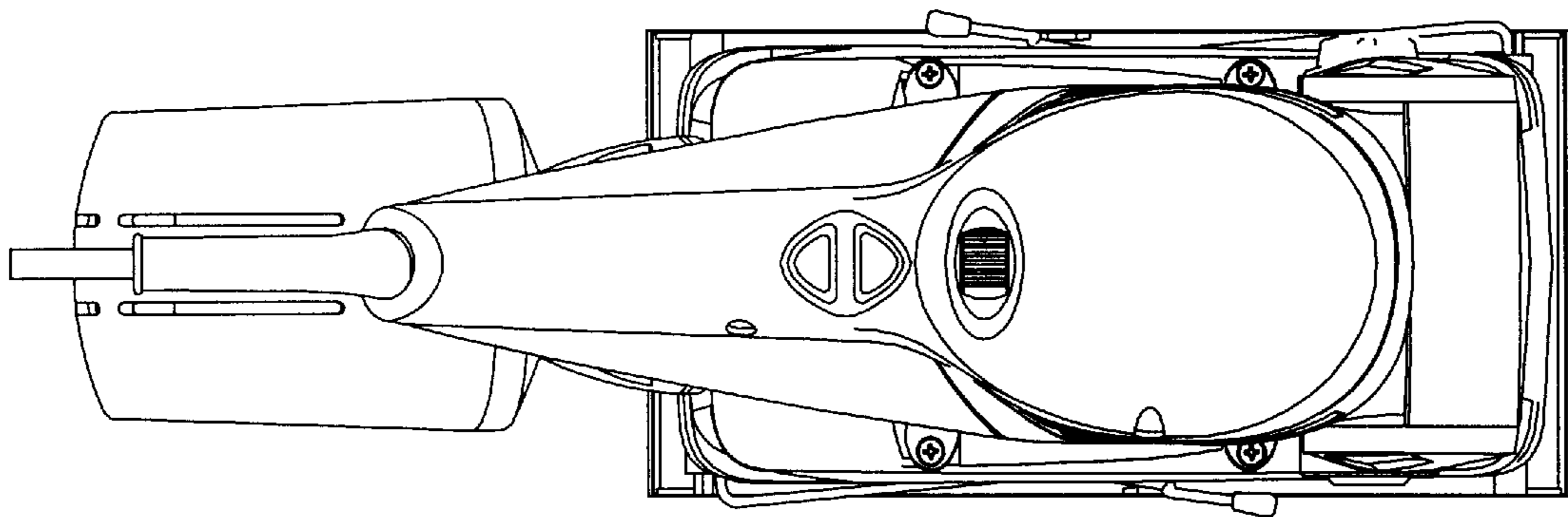


FIG. 5

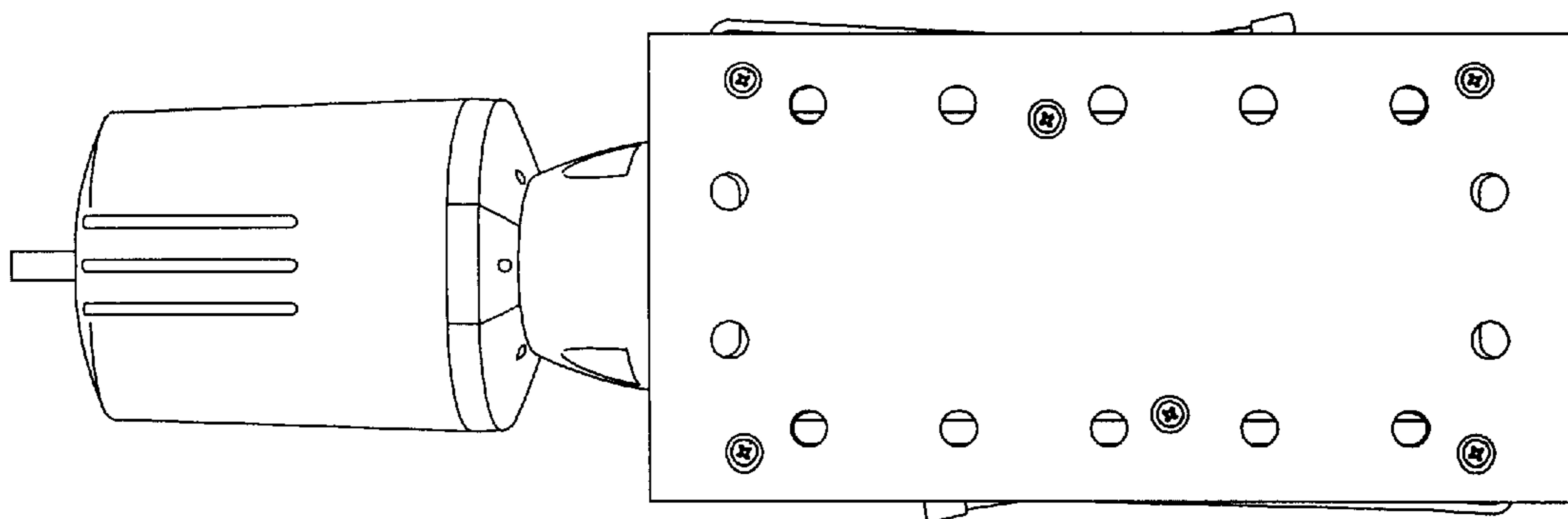


FIG. 6

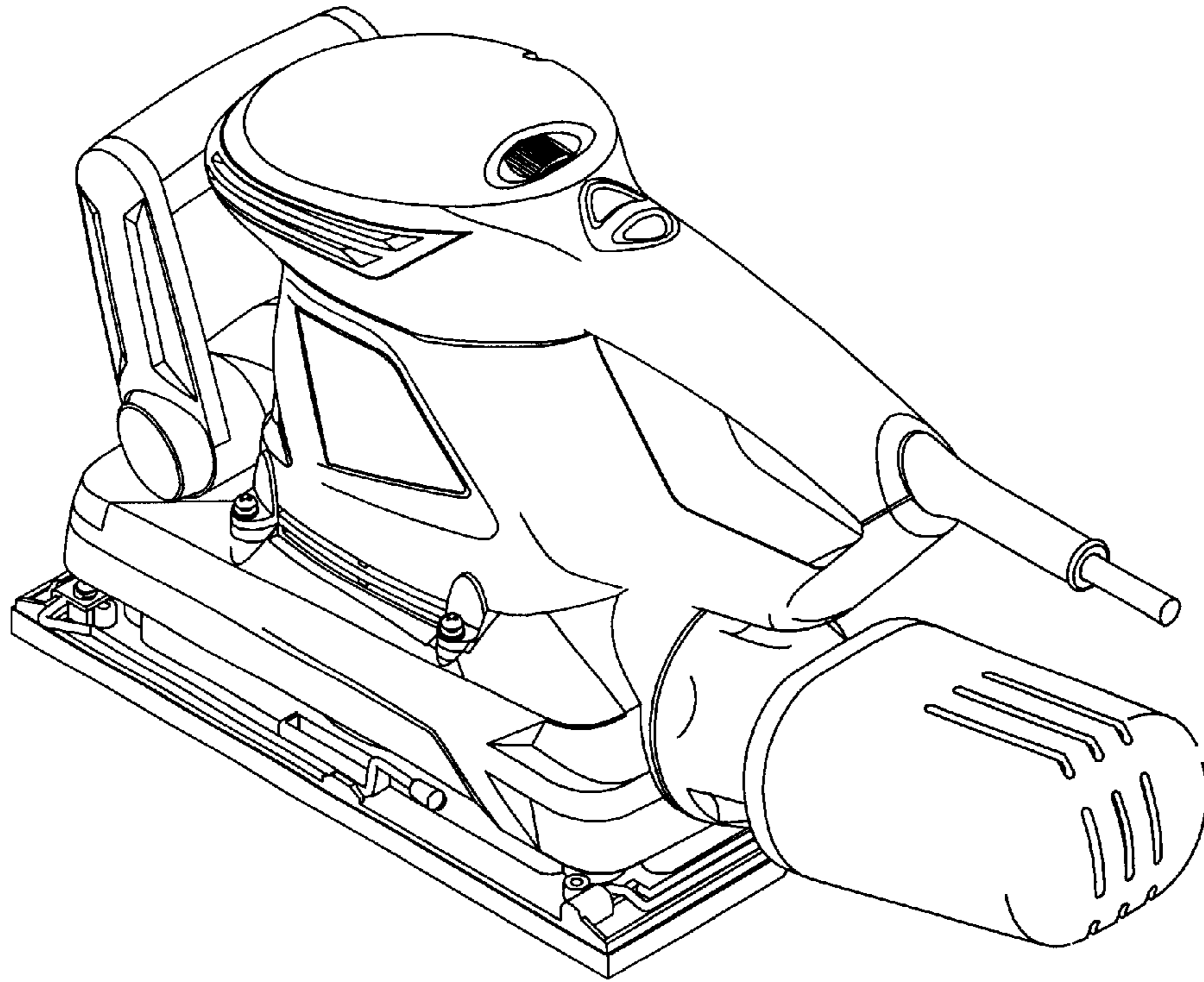


FIG. 7

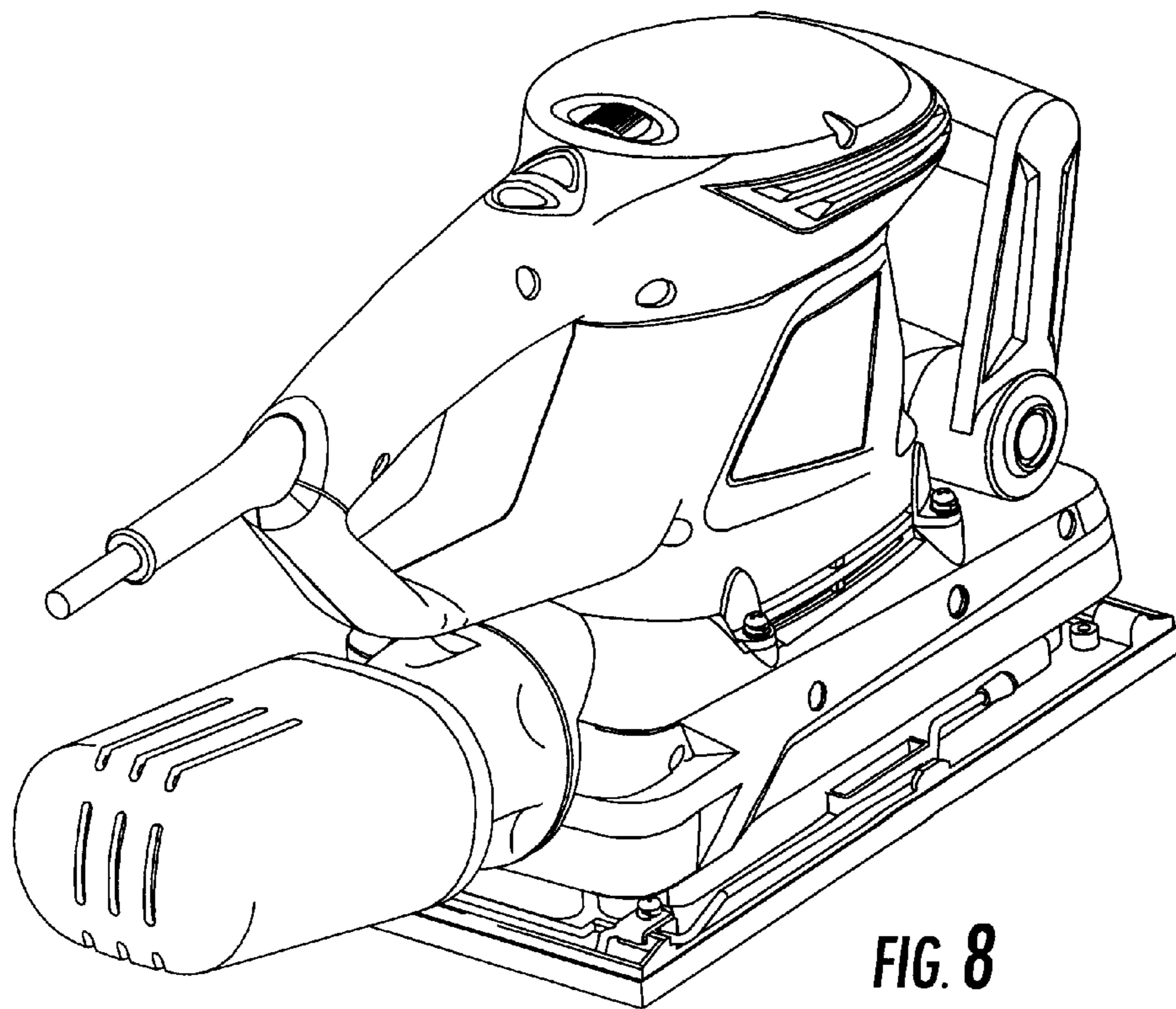


FIG. 8