



US00D530578S

(12) **United States Design Patent** (10) **Patent No.:** **US D530,578 S**
Sauter et al. (45) **Date of Patent:** **** Oct. 24, 2006**

- (54) **STAPLER CAP** D340,847 S 11/1993 Bain et al.
- 5,364,002 A 11/1994 Green et al.
- (75) Inventors: **Bruce M. Sauter**, Barrington, IL (US); 5,427,298 A 6/1995 Tegtmeier
- David W. Kirby**, Lemont, IL (US); 5,441,191 A 8/1995 Linden
- Robert C. Coon**, Chicago, IL (US); 5,507,425 A 4/1996 Ziglioli
- Stephen J. Gaynes**, McHenry, IL (US) D371,495 S * 7/1996 Herbst et al. D8/50
- 5,690,268 A 11/1997 Evans et al.
- (73) Assignee: **ACCO Brands USA LLC**, D392,528 S 3/1998 Rossetto et al.
- Lincolnshire, IL (US) D394,592 S 5/1998 Brunsdon et al.
- 5,797,535 A 8/1998 Lovegrove et al.

(**) Term: **14 Years**

(Continued)

(21) Appl. No.: **29/234,895**

OTHER PUBLICATIONS

(22) Filed: **Jul. 25, 2005**

ACCO Brands, Inc., Fact Book 2001, Feb. 1, 2001, pp. 178-186.

Related U.S. Application Data

ACCO Brands, Inc., Fact Book 2003, Feb. 1, 2003, pp. 98-107.

(63) Continuation of application No. 29/212,866, filed on Sep. 9, 2004, now Pat. No. Des. 514,904.

Primary Examiner—Adir Aronovich

(51) **LOC (8) Cl.** **19-02**

(74) *Attorney, Agent, or Firm*—Michael Best & Freidrich LLP

(52) **U.S. Cl.** **D8/50; D19/72**

(58) **Field of Classification Search** D8/49,
D8/50; D19/72; 227/120, 126, 127, 128,
227/131, 132, 134, 156

(57) **CLAIM**

See application file for complete search history.

The ornamental design for a stapler cap, as shown and described.

DESCRIPTION

(56) **References Cited**

U.S. PATENT DOCUMENTS

- 3,656,678 A 4/1972 Ruskin
- 4,406,392 A 9/1983 Campbell et al.
- 4,506,819 A 3/1985 Rand
- 4,523,707 A 6/1985 Blake, III et al.
- 4,558,810 A 12/1985 Mulhauser et al.
- 4,645,111 A 2/1987 Larrabee et al.
- 4,664,305 A 5/1987 Blake, III et al.
- 4,666,075 A 5/1987 Olesen
- 4,714,187 A 12/1987 Green
- 4,778,096 A 10/1988 Ebihara
- 4,925,082 A 5/1990 Kim
- 4,927,067 A * 5/1990 Leszczak 227/128
- 4,951,860 A 8/1990 Peters et al.
- 5,062,563 A 11/1991 Green et al.
- 5,219,111 A 6/1993 Bilotti et al.

FIG. 1 is a right-side perspective view, taken from the front, of a stapler cap embodying the present invention.

FIG. 2 is a left-side perspective view taken from the front of the stapler cap.

FIG. 3 is a left-side perspective view taken from the rear of the stapler cap.

FIG. 4 is a right side view of the stapler cap.

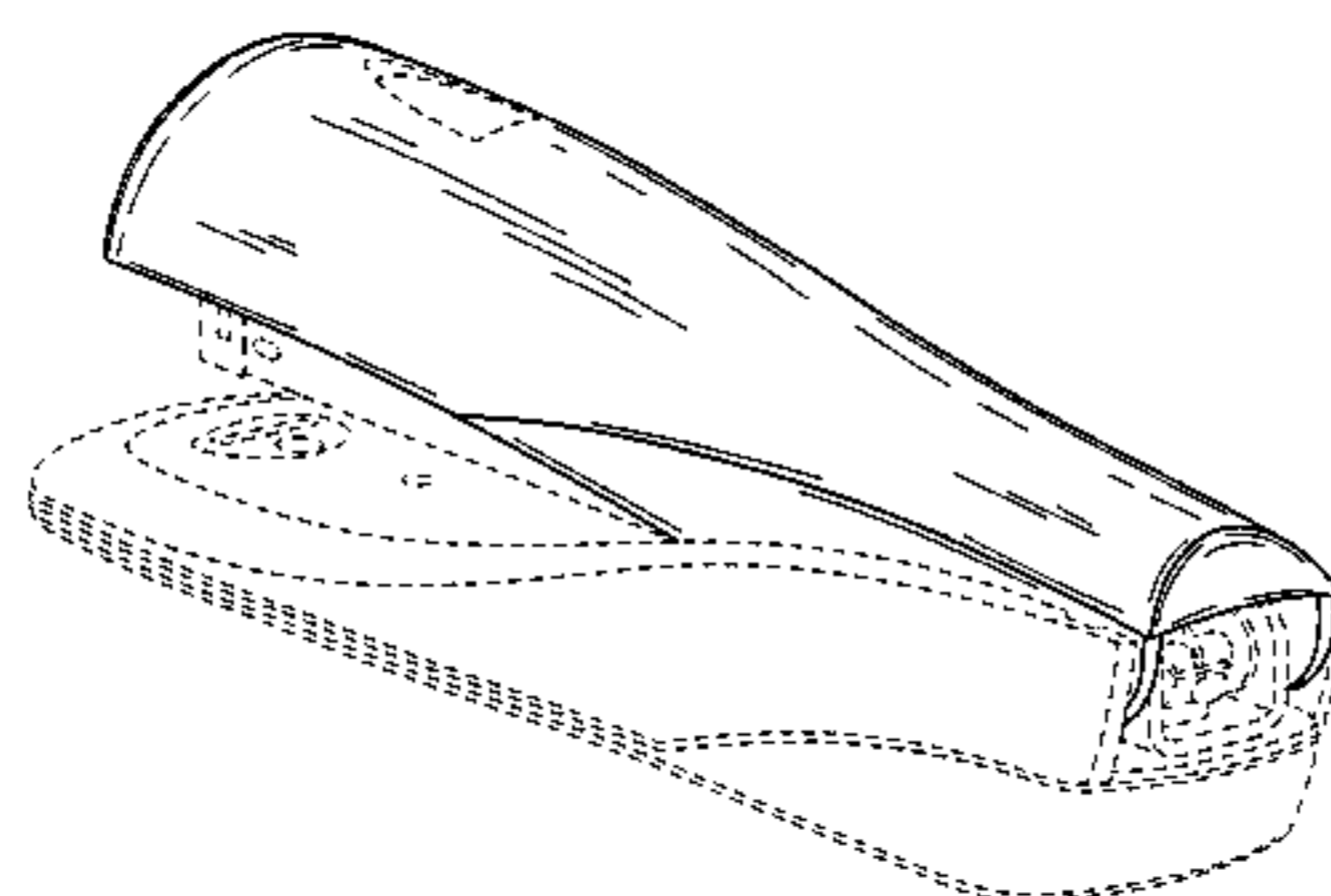
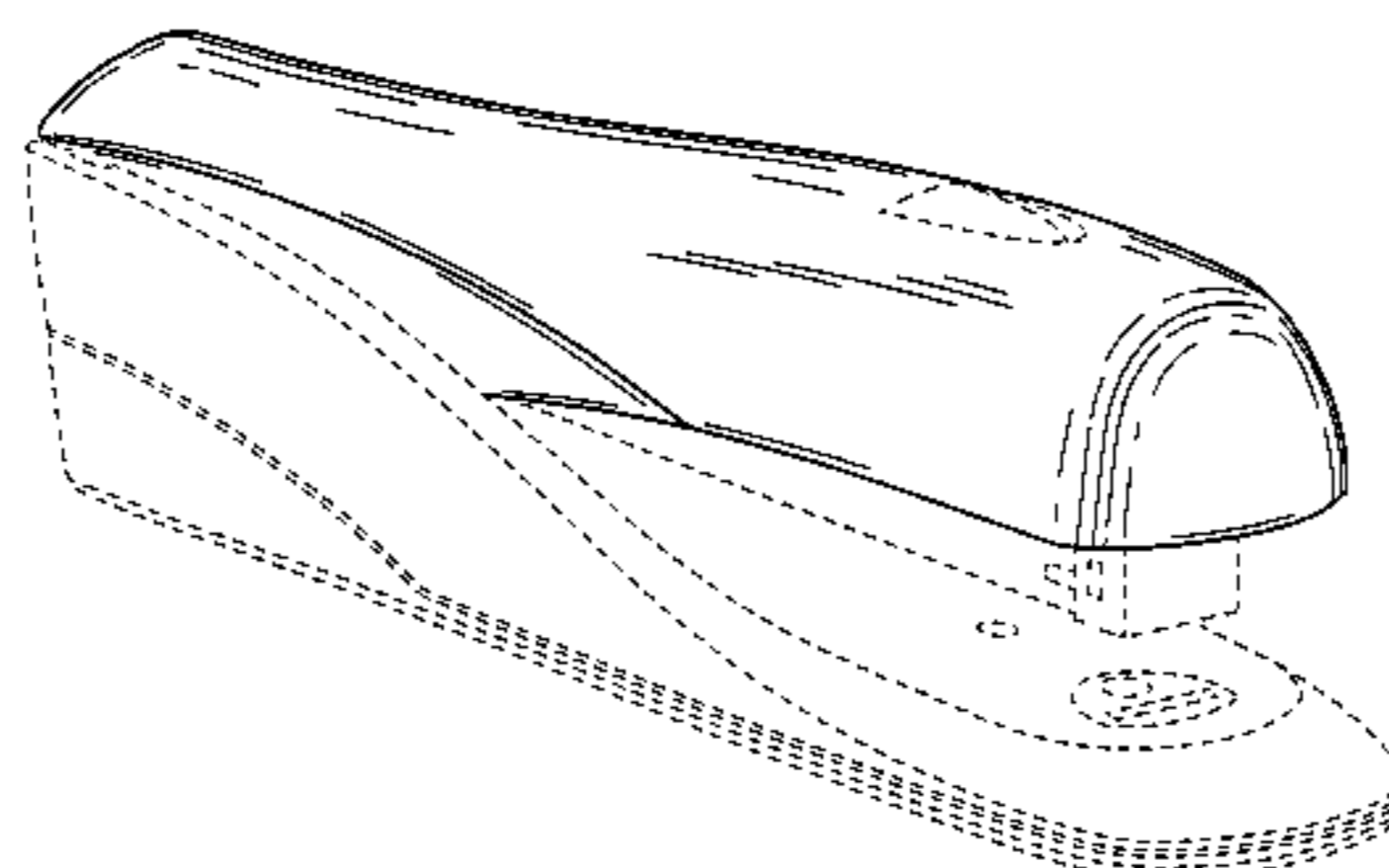
FIG. 5 is a rear view of the stapler cap.

FIG. 6 is a top view of the stapler cap; and,

FIG. 7 is a front view of the stapler cap.

The portions of the stapler shown in broken lines are for illustrative purposes only and form no part of the claimed design. The side view opposite FIG. 4 is a mirror image of FIG. 4 and is not shown.

1 Claim, 4 Drawing Sheets



US D530,578 S

Page 2

U.S. PATENT DOCUMENTS						
			6,244,491	B1	6/2001	Kandasamy et al.
			6,267,284	B1	7/2001	Clark
D406,996	S	3/1999	Matthes			
D413,239	S	8/1999	Lovegrove et al.			
D416,454	S	11/1999	Lovegrove et al.			
5,992,724	A	11/1999	Snyder			
D420,266	S	2/2000	Berry et al.			
D424,898	S	5/2000	Wilson et al.			
D429,453	S	8/2000	Imboden et al.			
6,152,347	A	11/2000	Wilson et al.			
D436,009	S	1/2001	Shi Kuo			
D436,010	S	1/2001	Nakamura			
6,209,722	B1	4/2001	Wang			
			D447,676	S	9/2001	Wilson et al.
			D465,139	S	11/2002	Robillard
			D466,774	S	12/2002	Lee
			D472,437	S	4/2003	Scola et al.
			D478,486	S	8/2003	Scola et al.
			6,601,748	B1	8/2003	Fung et al.
			D502,851	S	3/2005	Sauter et al.
			2003/0047581	A1	3/2003	Tanaka et al.
			2004/0232192	A1 *	11/2004	Marks 227/120

* cited by examiner

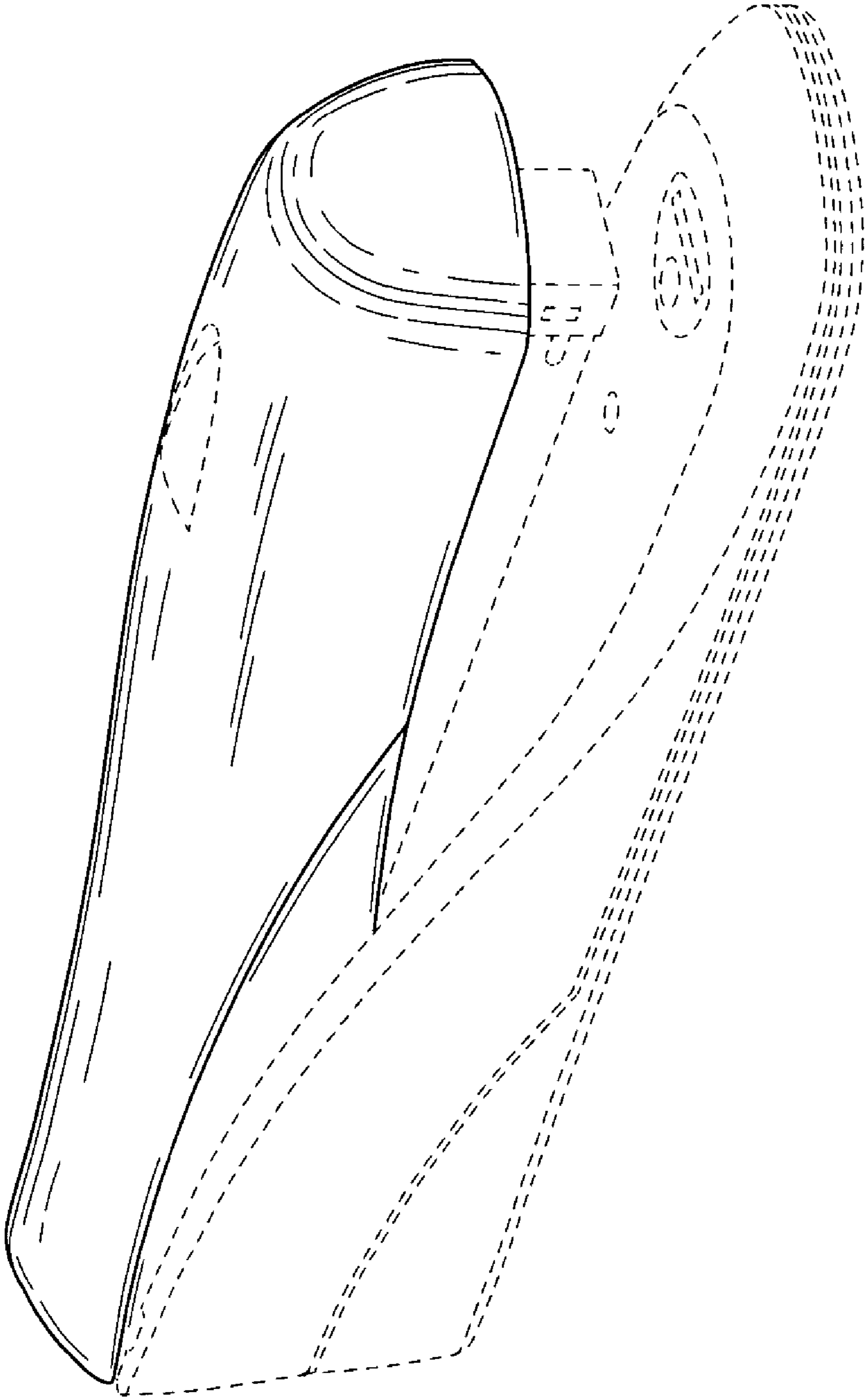


FIG. 1

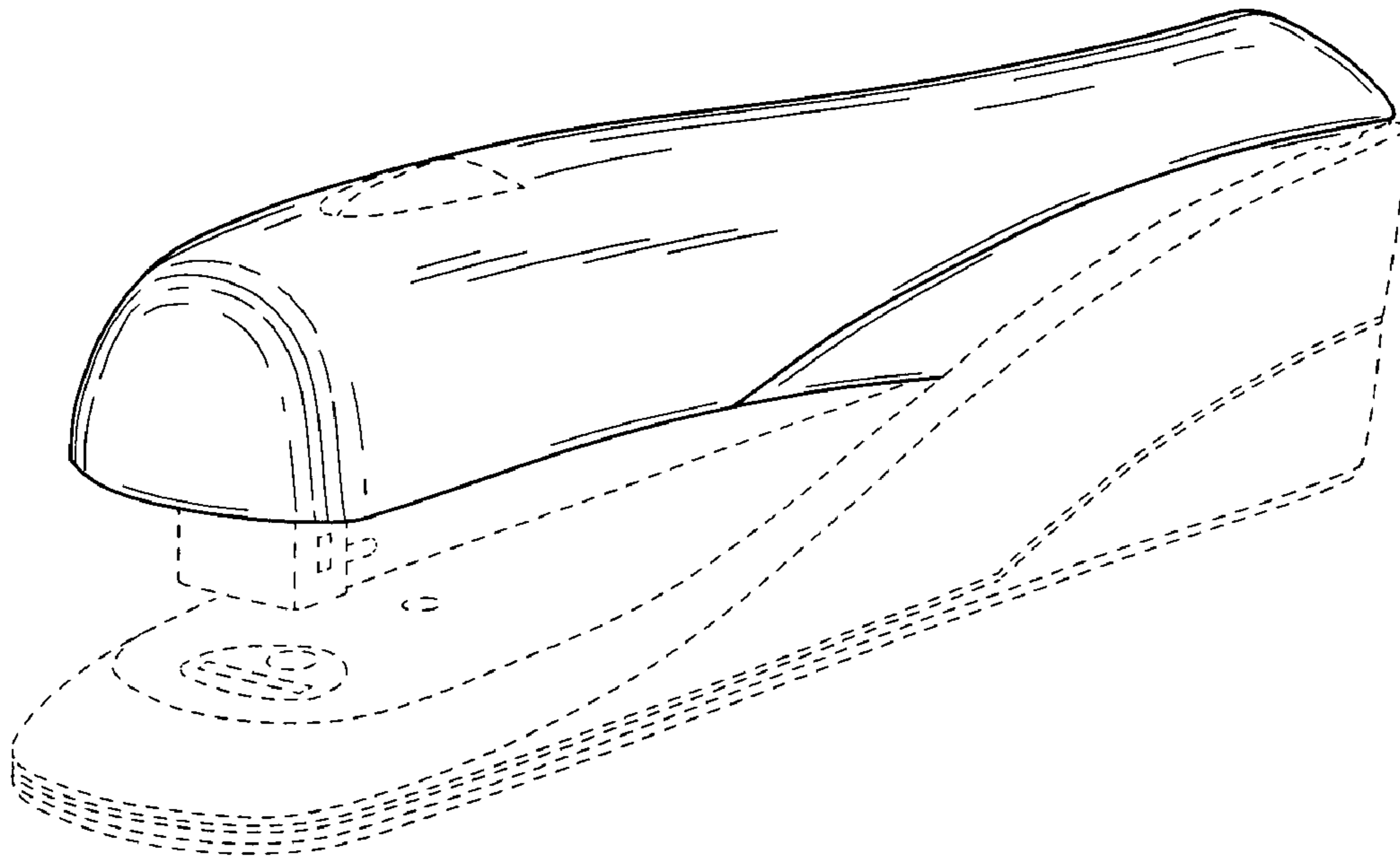


FIG. 2

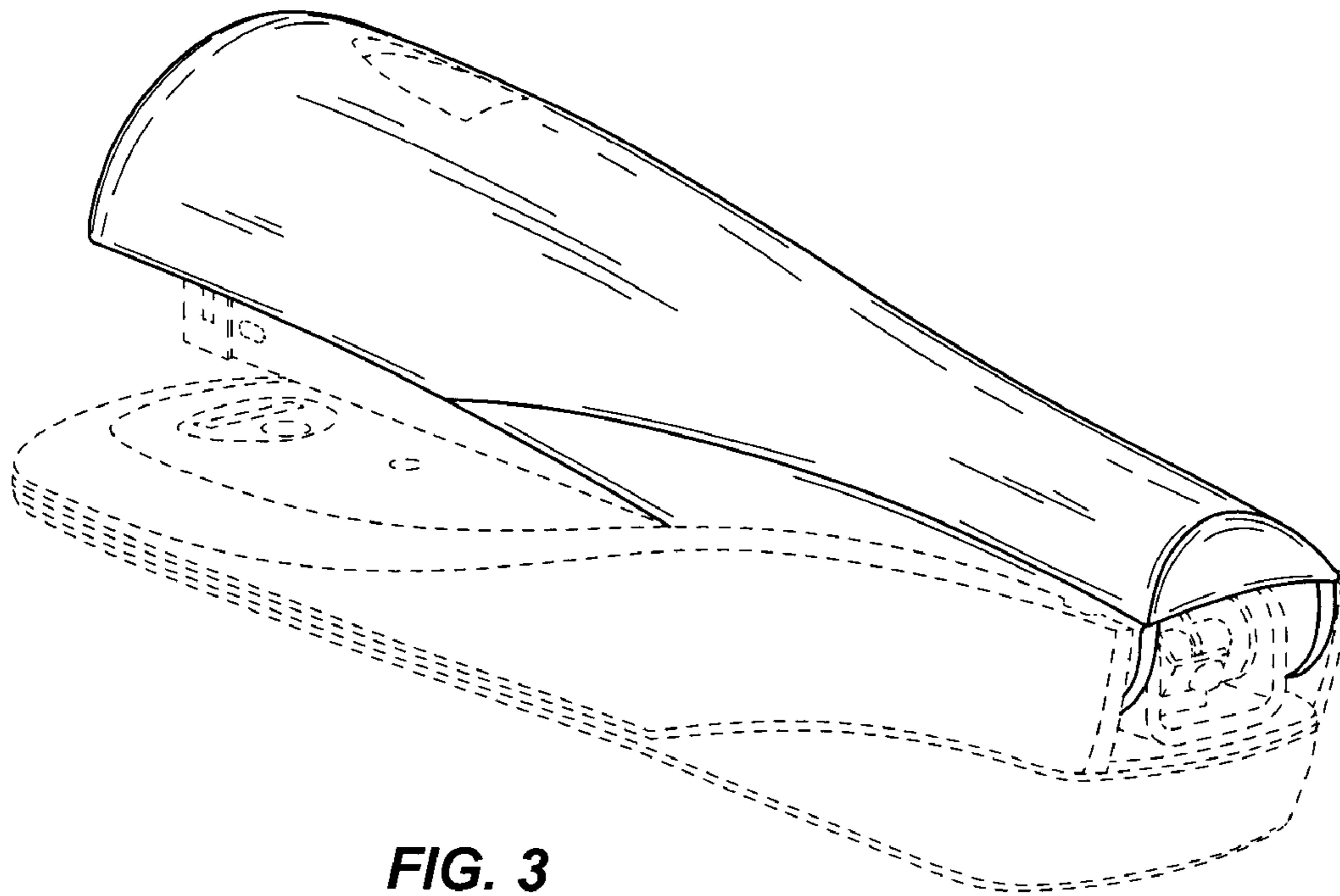


FIG. 3

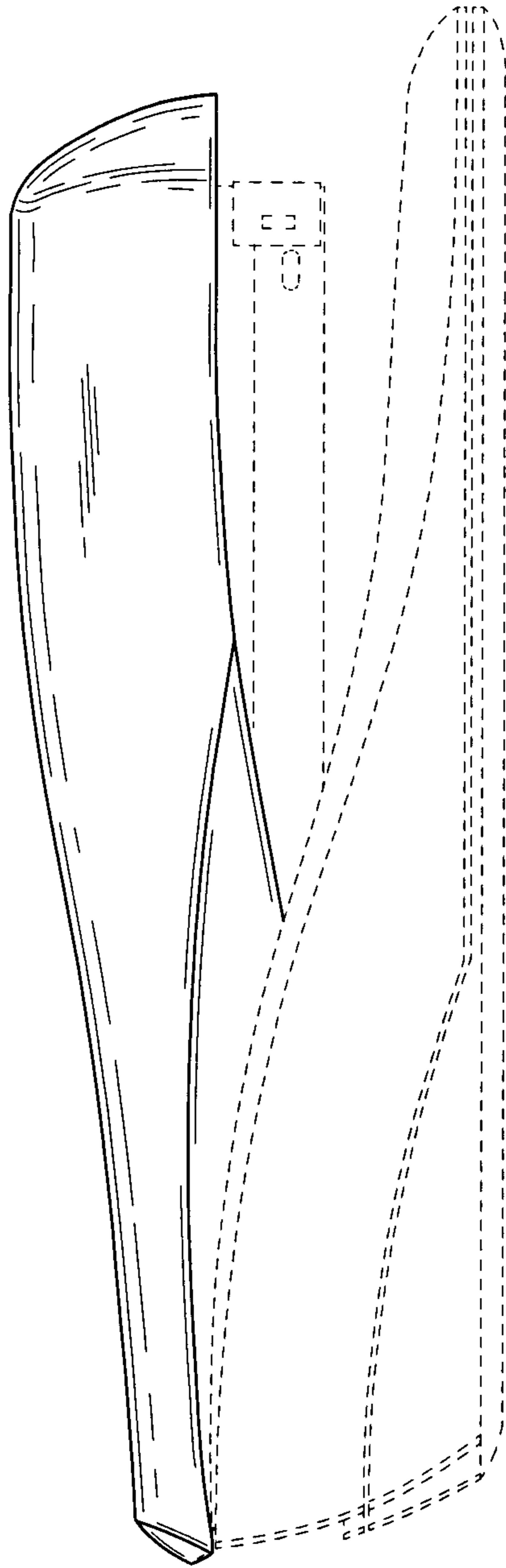


FIG. 4

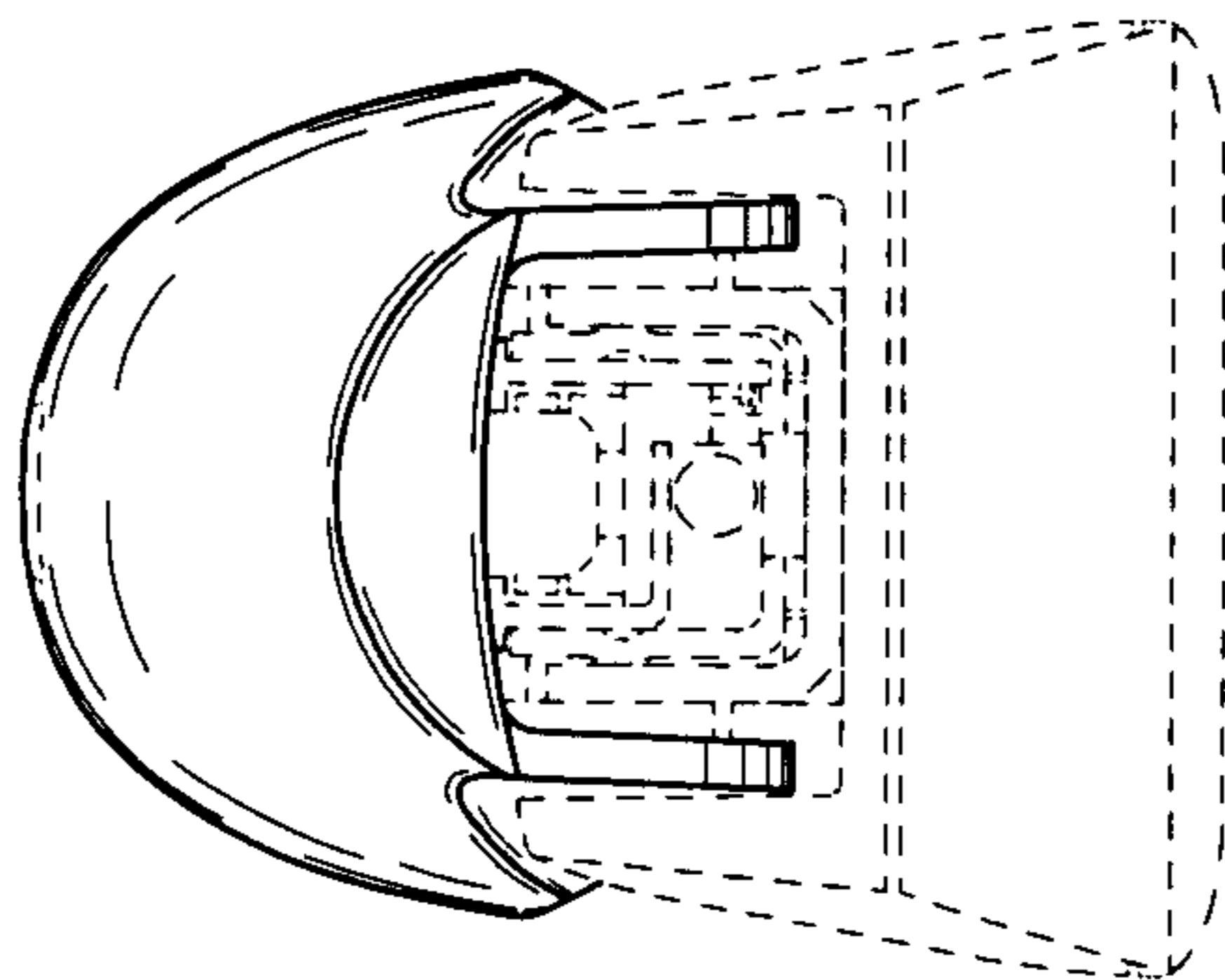


FIG. 5

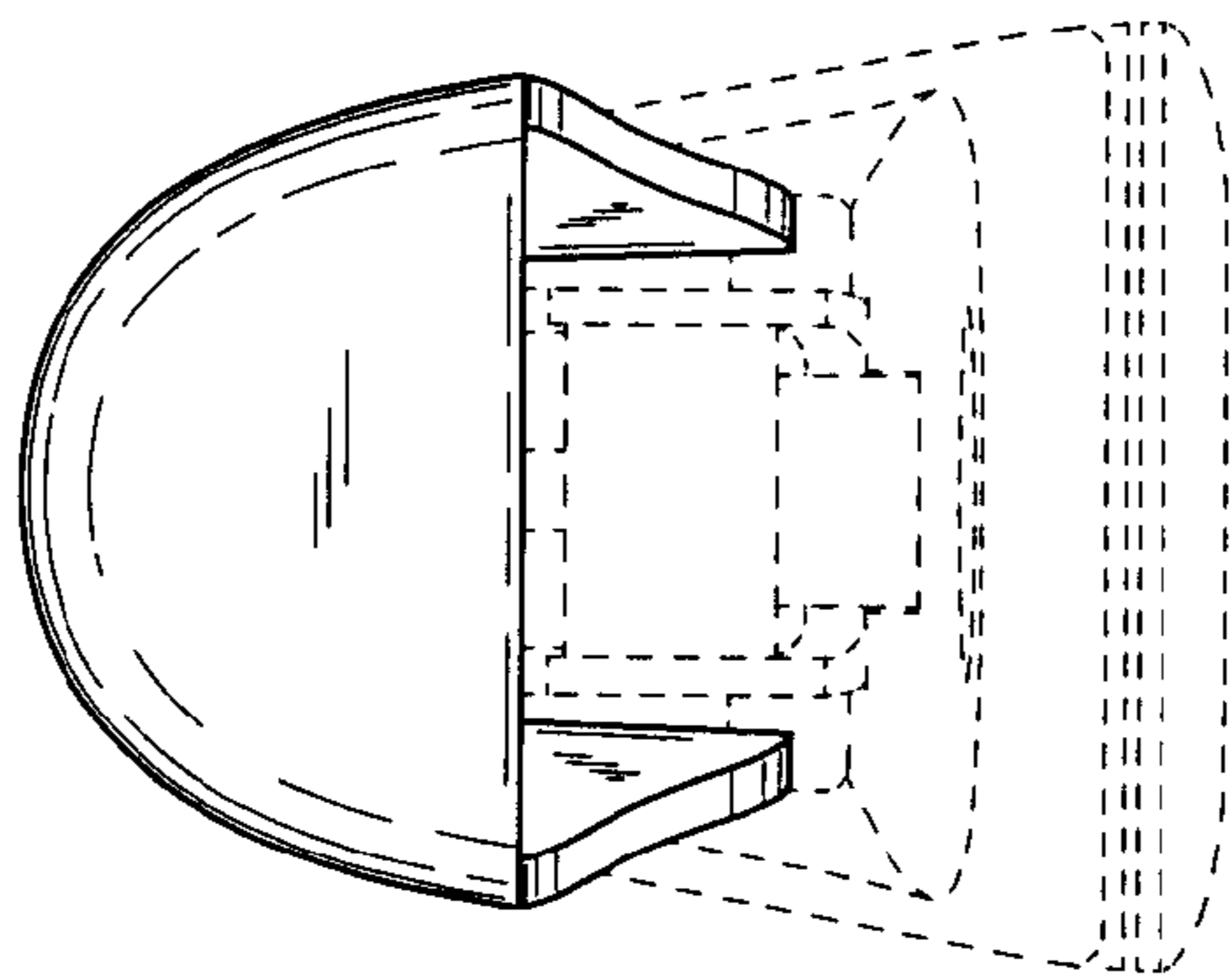


FIG. 7

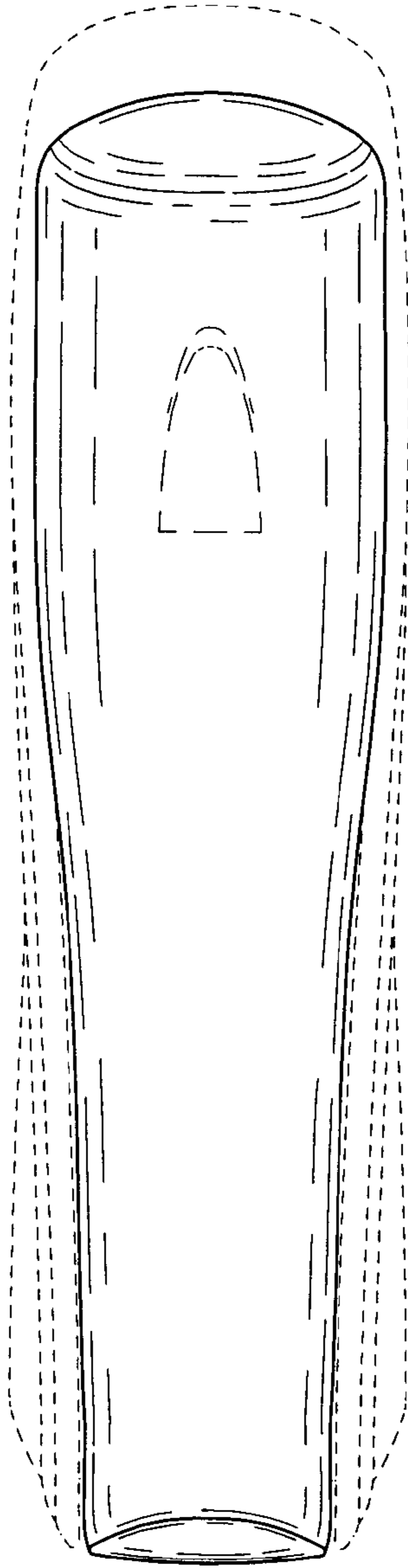


FIG. 6