



US00D530575S

(12) **United States Design Patent**  
**Taylor**

(10) **Patent No.:** **US D530,575 S**

(45) **Date of Patent:** **\*\* Oct. 24, 2006**

(54) **CROSS ARM FOR CATCH WIRE**

6,434,883 B1 \* 8/2002 Martin ..... 47/46

(76) Inventor: **James H. Taylor**, 14311 Newport Ave.,  
#G533, Tustin, CA (US) 92780

\* cited by examiner

(\*\*) Term: **14 Years**

*Primary Examiner*—Holly H. Baynham

(74) *Attorney, Agent, or Firm*—Sclesinger, Arkwright &  
Garvey LLP

(21) Appl. No.: **29/205,409**

(57) **CLAIM**

(22) Filed: **May 14, 2004**

The ornamental design for a cross arm for catch wire, as  
shown and described.

(51) **LOC (8) Cl.** ..... **08-01**

(52) **U.S. Cl.** ..... **D8/1**

(58) **Field of Classification Search** ..... D8/1,  
D8/354; 47/46

**DESCRIPTION**

See application file for complete search history.

FIG. 1 is a front perspective view of a cross arm for a catch  
wire, showing my new design;

FIG. 2 is a perspective rear view of FIG. 1;

FIG. 3 is a right edge view of FIG. 2;

FIG. 4 is a left edge view of FIG. 2;

FIG. 5 is a front elevational view of FIG. 1;

FIG. 6 is a top edge view of FIG. 5;

FIG. 7 is a rear elevational view of FIG. 2; and,

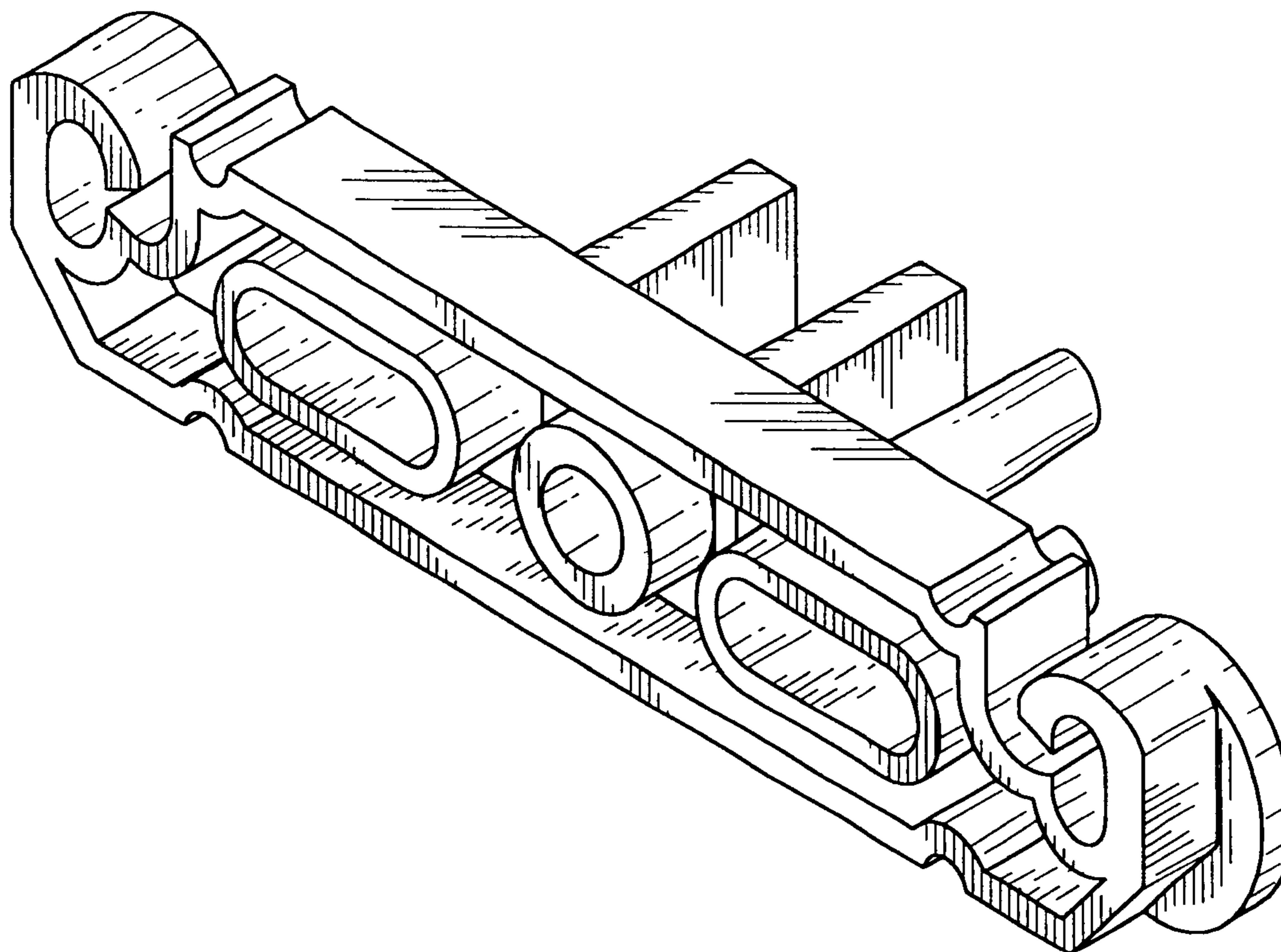
FIG. 8 is a bottom edge view of FIG. 2.

(56) **References Cited**

**U.S. PATENT DOCUMENTS**

855,138	A	*	5/1907	Soiple	.....	52/736.2
3,791,070	A	*	2/1974	Roberts	.....	47/46
D247,629	S	*	3/1978	Grannis	.....	D25/134
D280,794	S	*	10/1985	Evans	.....	D8/1
D420,893	S	*	2/2000	King et al.	.....	D8/364
6,138,407	A	*	10/2000	Pierce, Jr.	.....	47/46

**1 Claim, 2 Drawing Sheets**



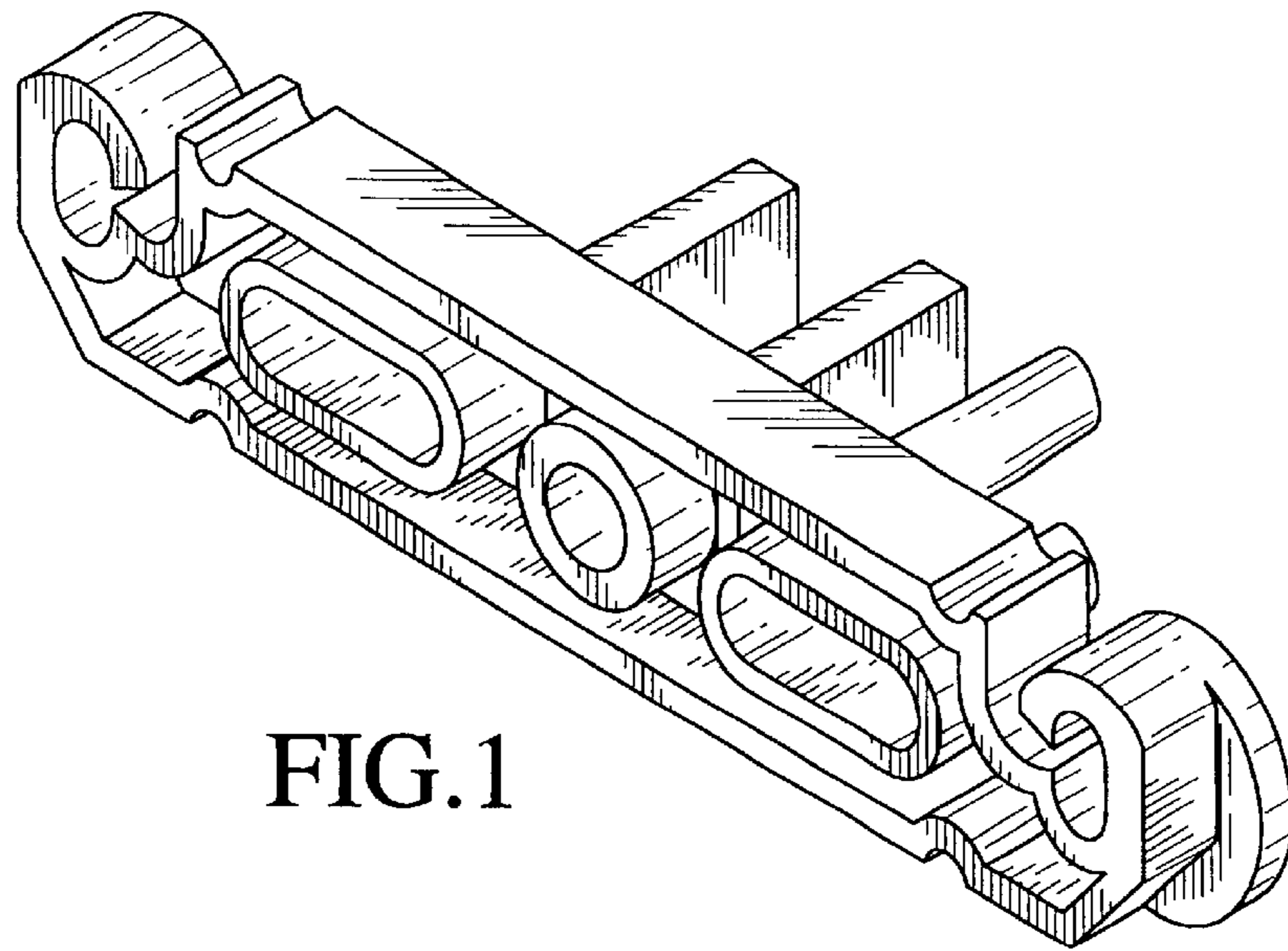


FIG. 1

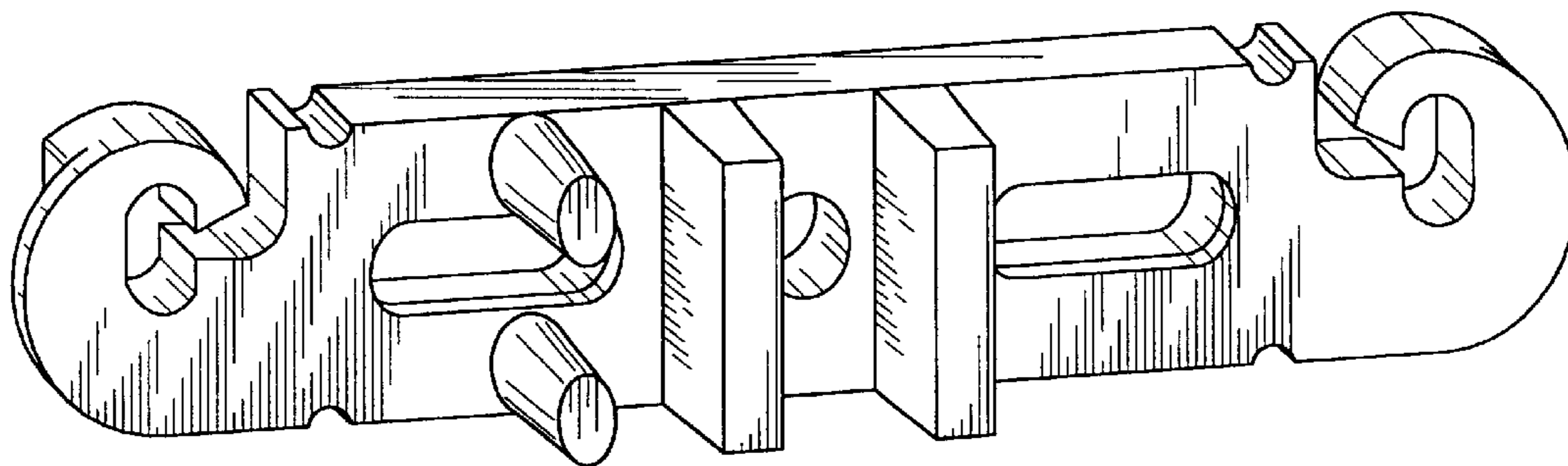


FIG. 2

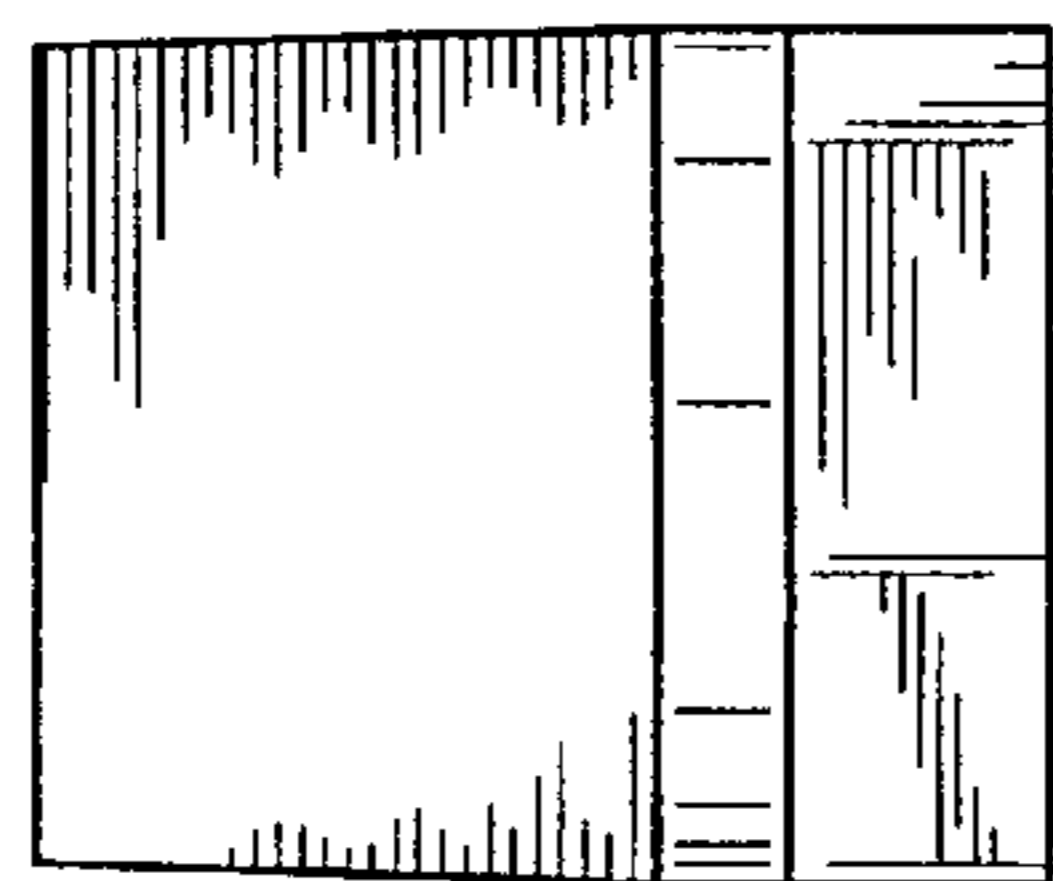


FIG. 3

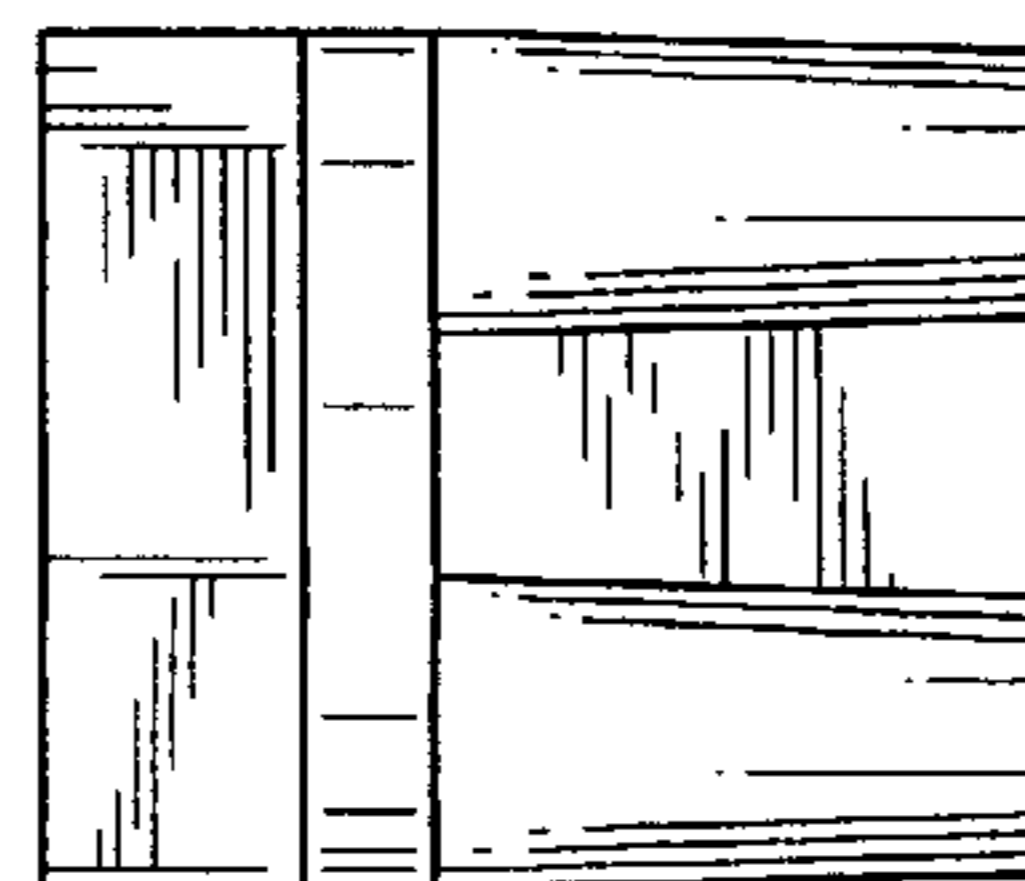


FIG. 4

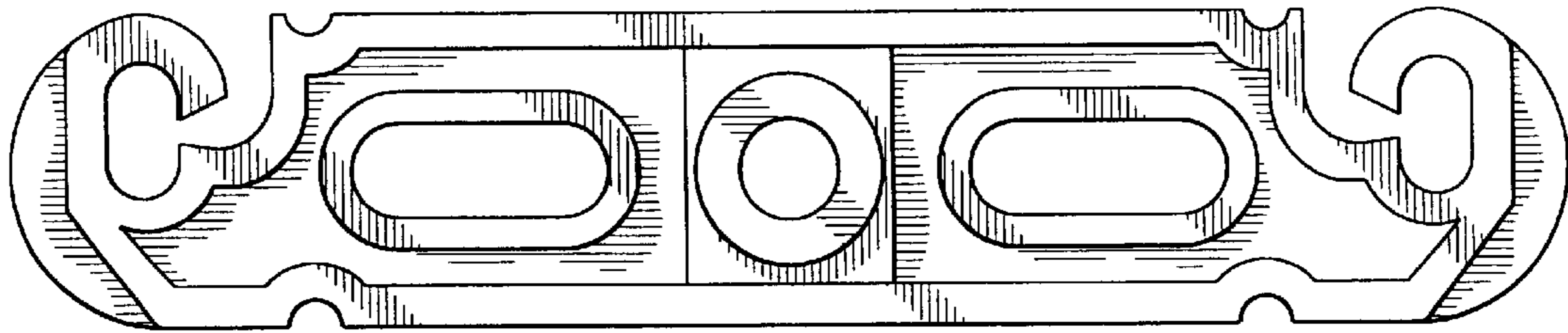


FIG. 5

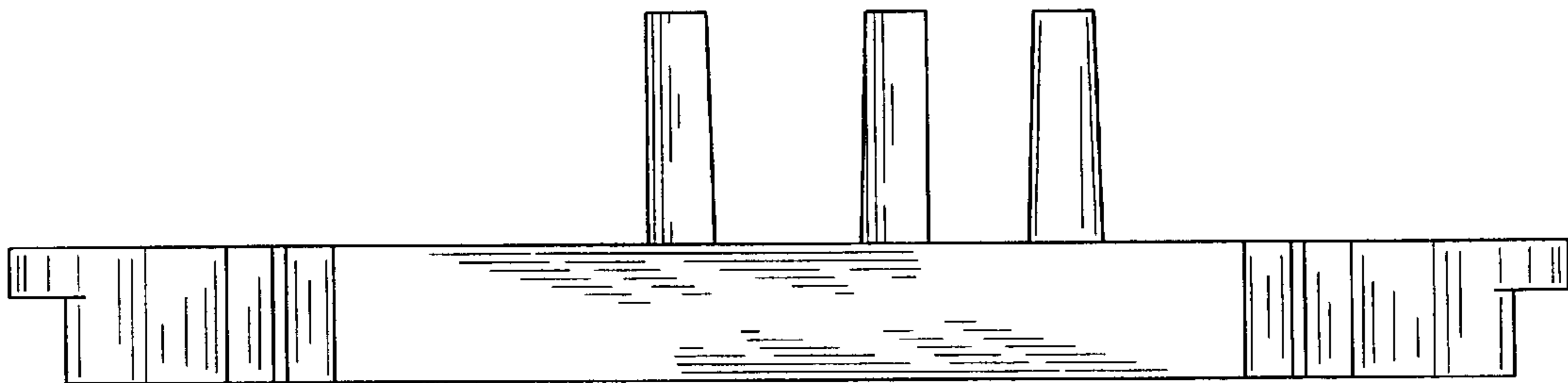


FIG. 6

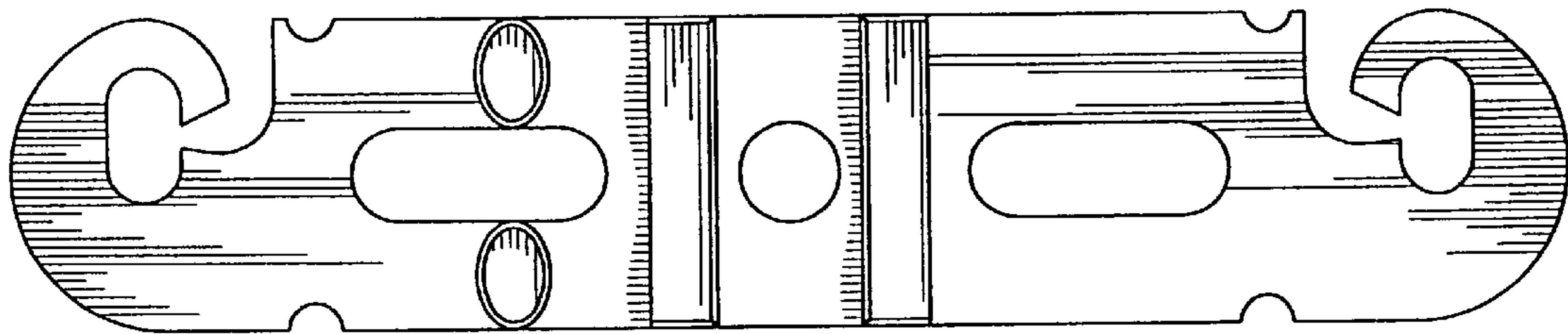


FIG. 7

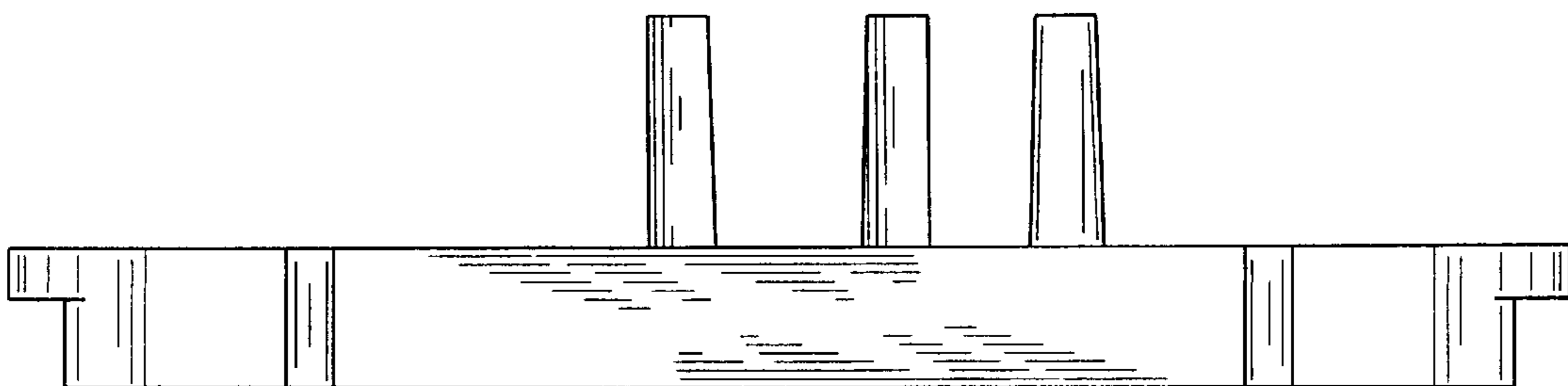


FIG. 8