



US00D530571S

(12) **United States Design Patent**
Hemann et al.

(10) **Patent No.:** **US D530,571 S**

(45) **Date of Patent:** **** Oct. 24, 2006**

(54) **VEHICLE MOUNTABLE FOOTBALL COOLER**

D435,011 S * 12/2000 Gruff D12/413
D452,120 S * 12/2001 Brangle et al. D7/606
D475,249 S * 6/2003 Cantor et al. D7/606

(76) Inventors: **Jamie A. Hemann**, 96 Harrsion St.,
New Britain, CT (US) 06052; **Timothy Hemann**, 1009 E. 18th St. S., Newton,
IA (US) 50208; **Quentin Hemann**, 303
S. Randolph St., Stacyville, IA (US)
50476

* cited by examiner

Primary Examiner—Terry A. Wallace
(74) *Attorney, Agent, or Firm*—Cantor Colburn LLP

(**) Term: **14 Years**

(57) **CLAIM**

We claim, the ornamental design for the vehicle mountable football cooler, as shown and described.

(21) Appl. No.: **29/236,813**

DESCRIPTION

(22) Filed: **Aug. 23, 2005**

(51) **LOC (8) Cl.** **07-01**

FIG. 1 is a rear view of a vehicle mountable football cooler, showing our new design;

(52) **U.S. Cl.** **D7/606; D12/413**

FIG. 2 is a front view thereof;

(58) **Field of Classification Search** D7/605–608,
D7/628; D3/270, 271.1, 271.9, 273; D12/400,
D12/412, 413; 220/915.1, 915.2; 224/309,
224/314, 324, 328, 329; 296/37.1, 37.7; 62/457.1–457.9,
62/371, 372

FIG. 3 is a left view thereof;

FIG. 4 is a right side view thereof;

FIG. 5 is a top side view thereof; and,

FIG. 6 is a bottom view thereof.

See application file for complete search history.

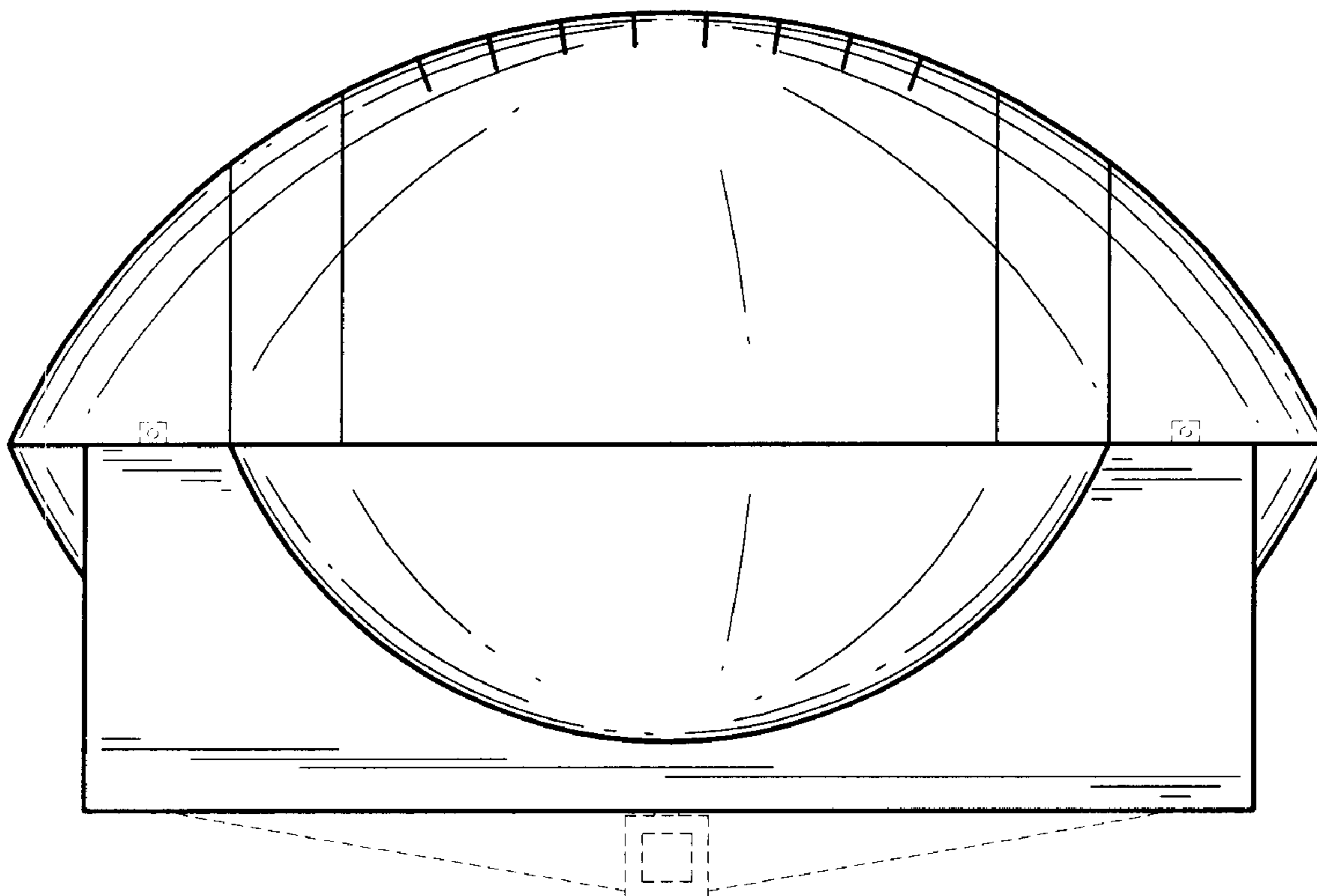
The broken lines are for illustrative purposes only and form no part of the claimed design.

(56) **References Cited**

U.S. PATENT DOCUMENTS

D370,391 S * 6/1996 Bauer et al. D7/606

1 Claim, 3 Drawing Sheets



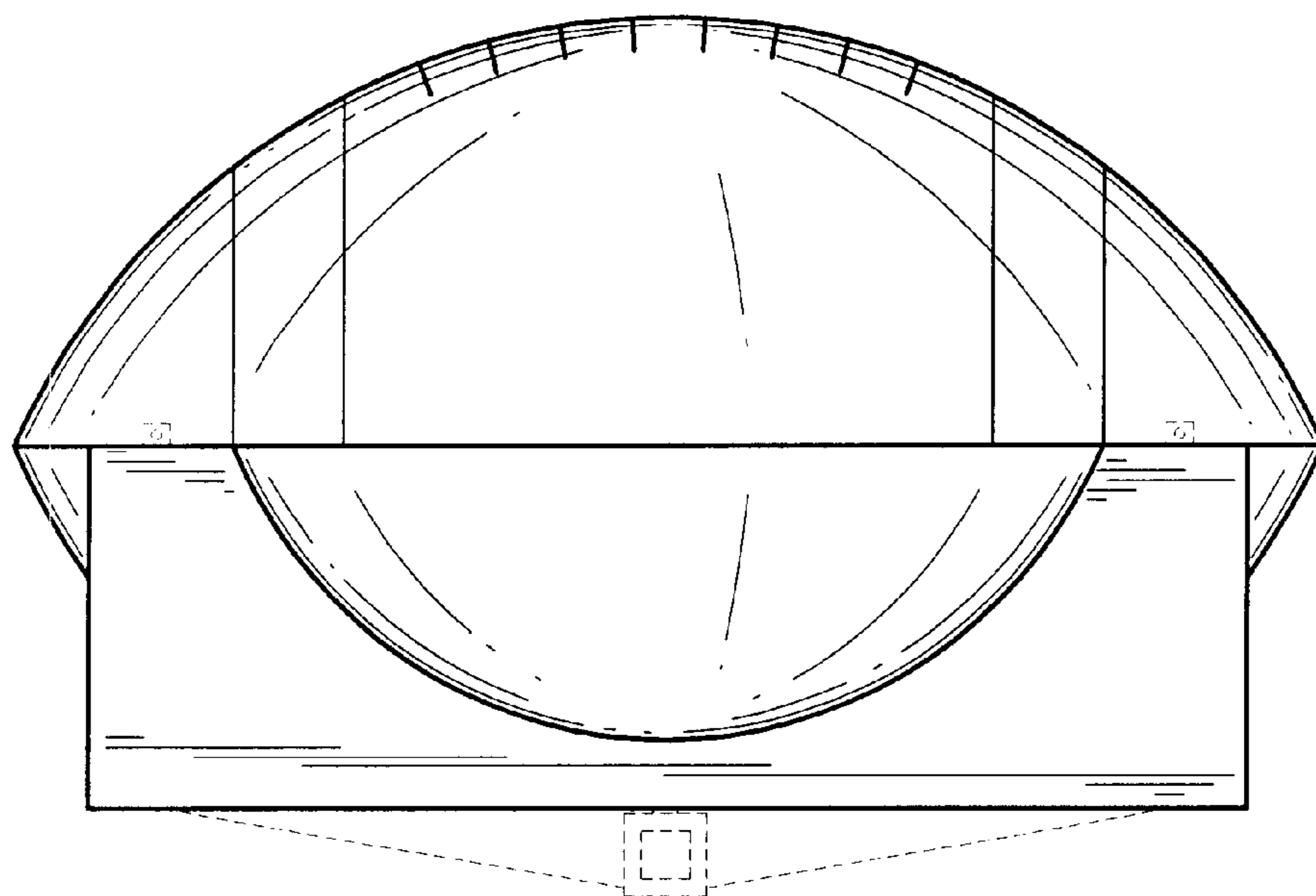


FIG. 1

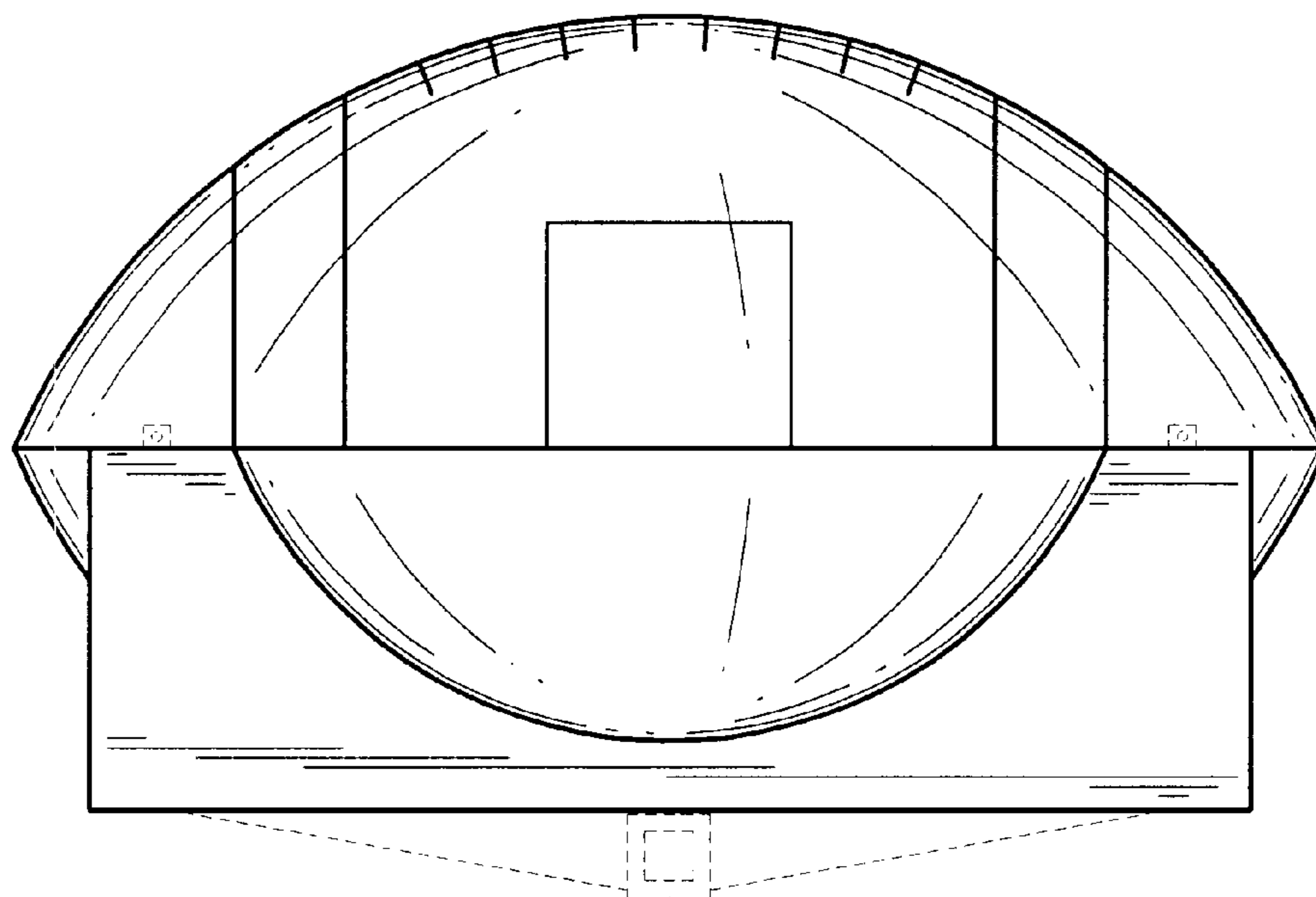


FIG. 2

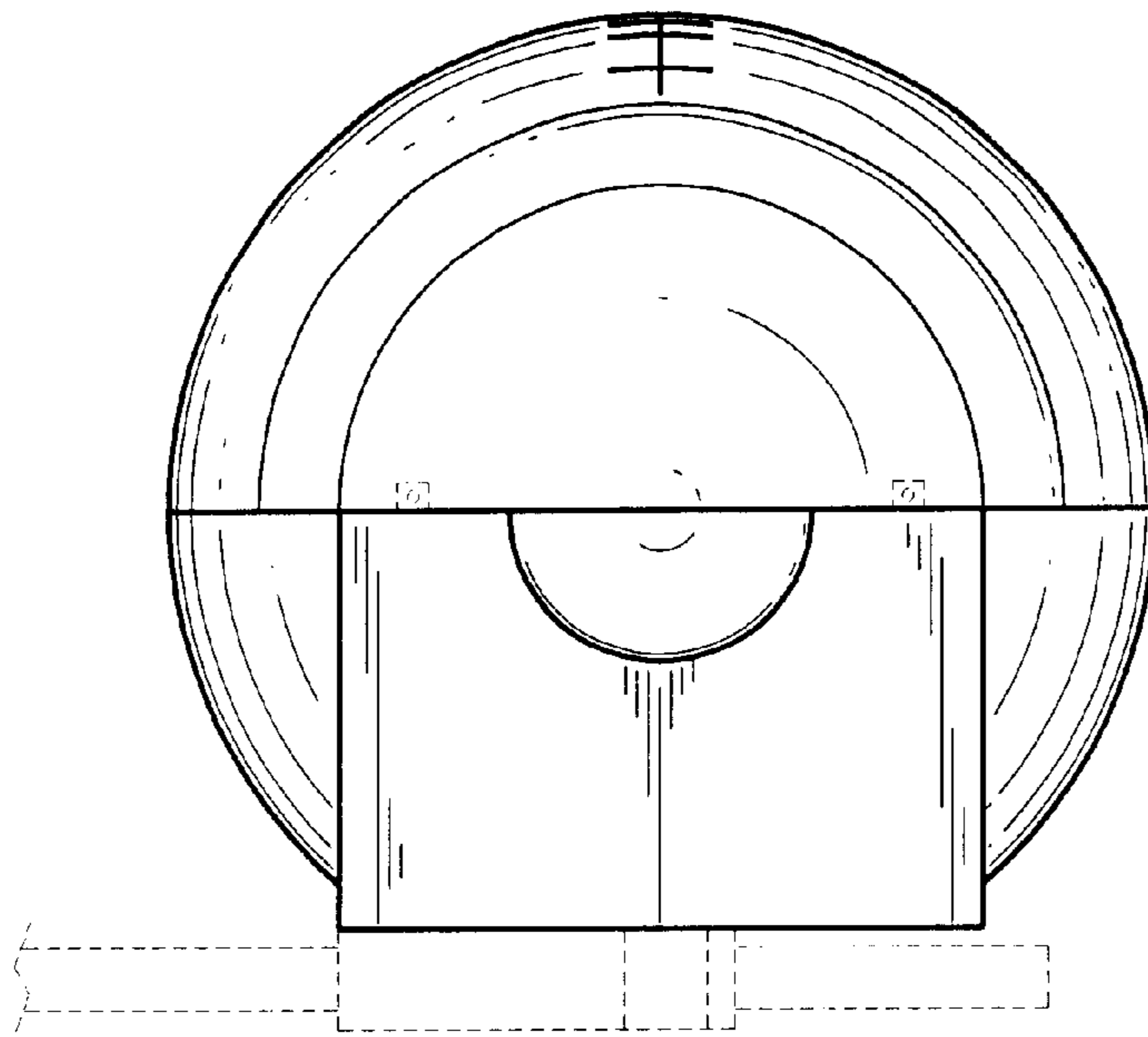


FIG. 3

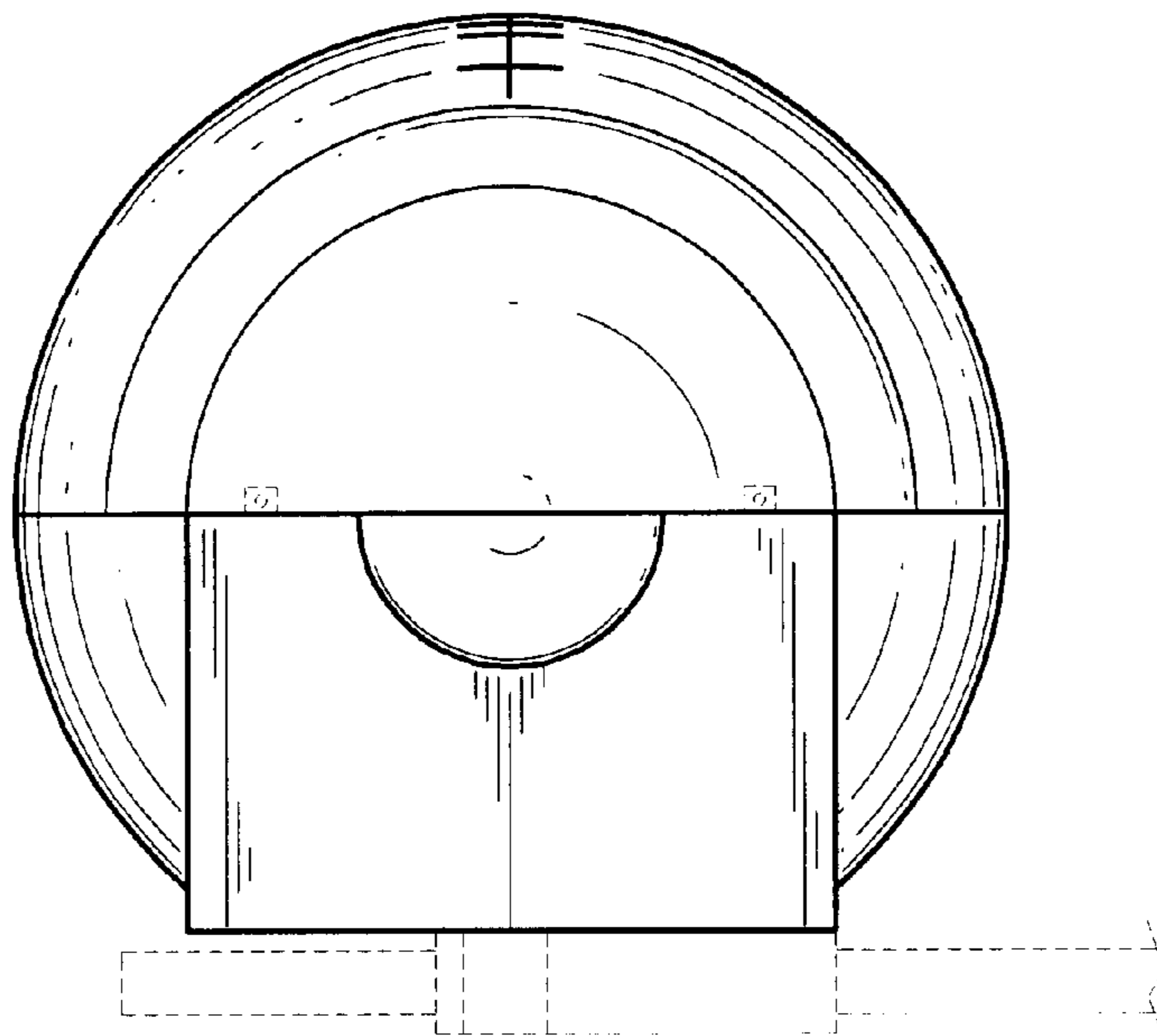


FIG. 4

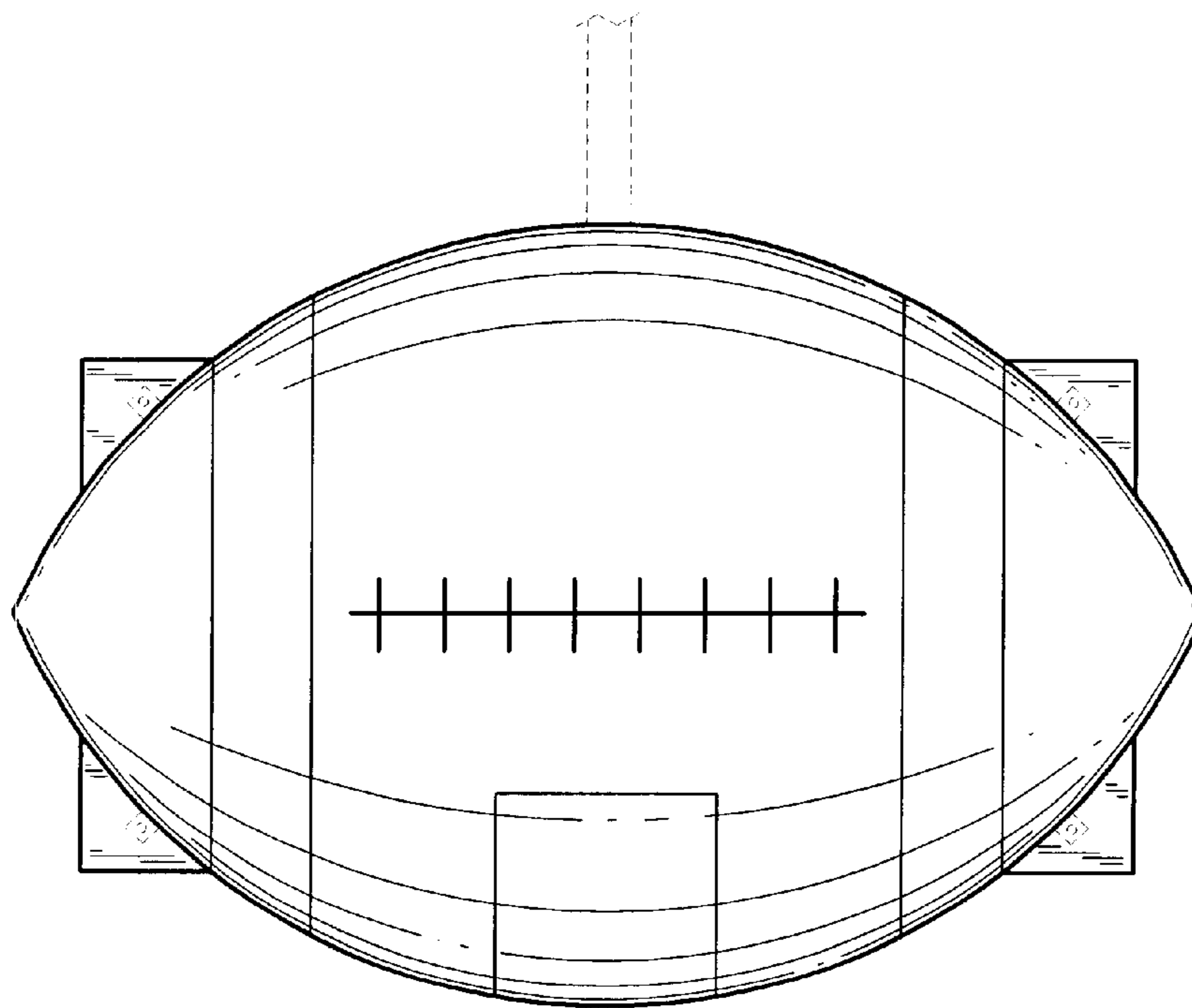


FIG. 5

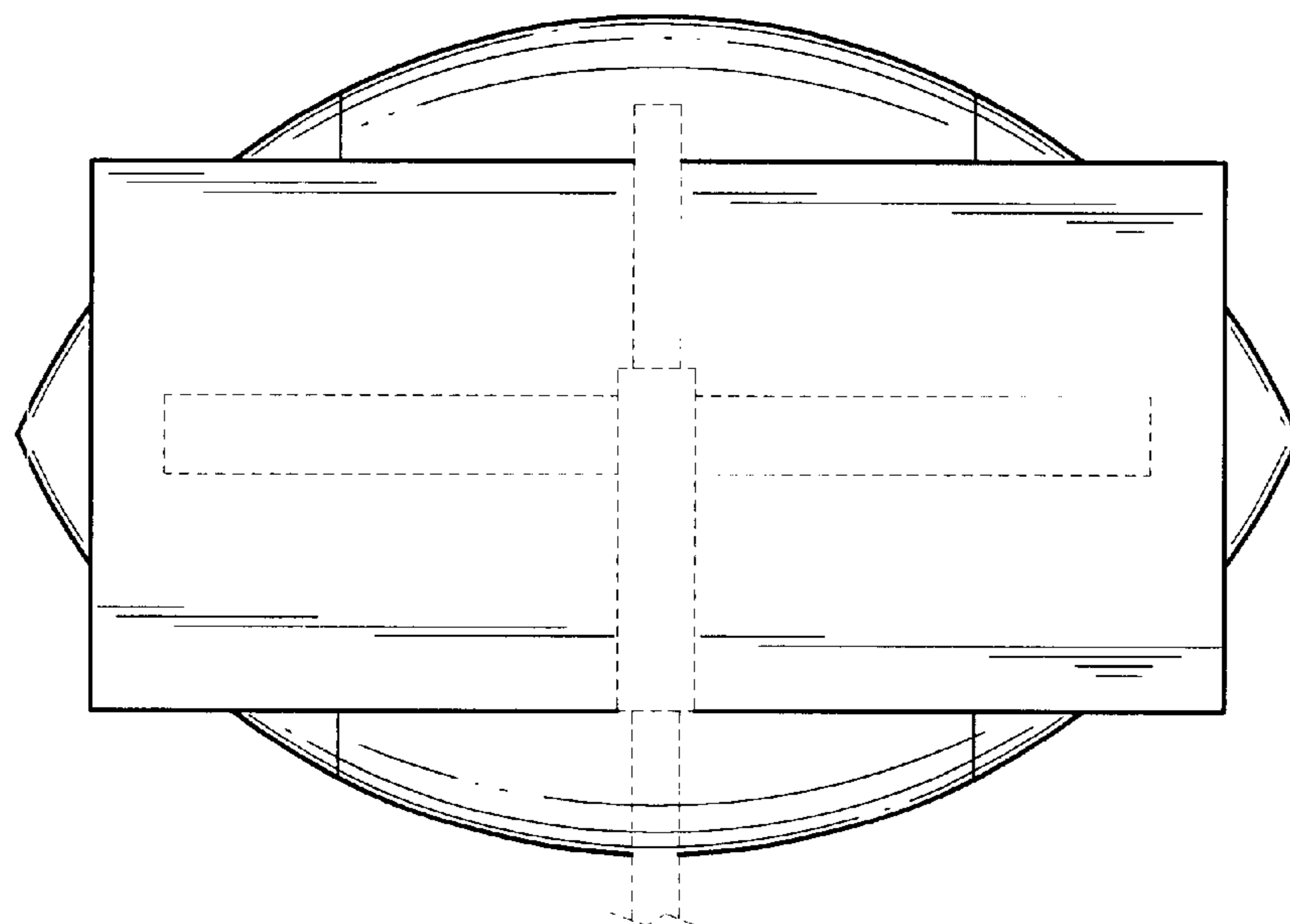


FIG. 6