



US00D530570S

(12) **United States Design Patent**  
**Krueger**

(10) **Patent No.:** **US D530,570 S**

(45) **Date of Patent:** **\*\* Oct. 24, 2006**

(54) **POT LID HOLDER**

D401,811 S \* 12/1998 Hait ..... D7/601  
D494,421 S \* 8/2004 Nanninga ..... D7/601

(76) Inventor: **Claus D. Krueger**, 299 Bridge Street  
East, Kitchener, Ontario (CA), N2K  
2Y5

\* cited by examiner

(\*\*) Term: **14 Years**

*Primary Examiner*—Terry A. Wallace  
(74) *Attorney, Agent, or Firm*—R. Craig Armstrong;  
Borden Ladner Gervais LLP

(21) Appl. No.: **29/237,663**

(57) **CLAIM**

(22) Filed: **Sep. 6, 2005**

I claim the ornamental design for the pot lid holder, as shown.

(30) **Foreign Application Priority Data**

Jul. 15, 2005 (CA) ..... 111888

**DESCRIPTION**

(51) **LOC (8) Cl.** ..... **07-99**

(52) **U.S. Cl.** ..... **D7/601**

(58) **Field of Classification Search** ..... D7/601,  
D7/637-641; D6/462, 469; 211/41.11, 41.2,  
211/13.1; 248/176.1, 176.2, 37.3, 312  
See application file for complete search history.

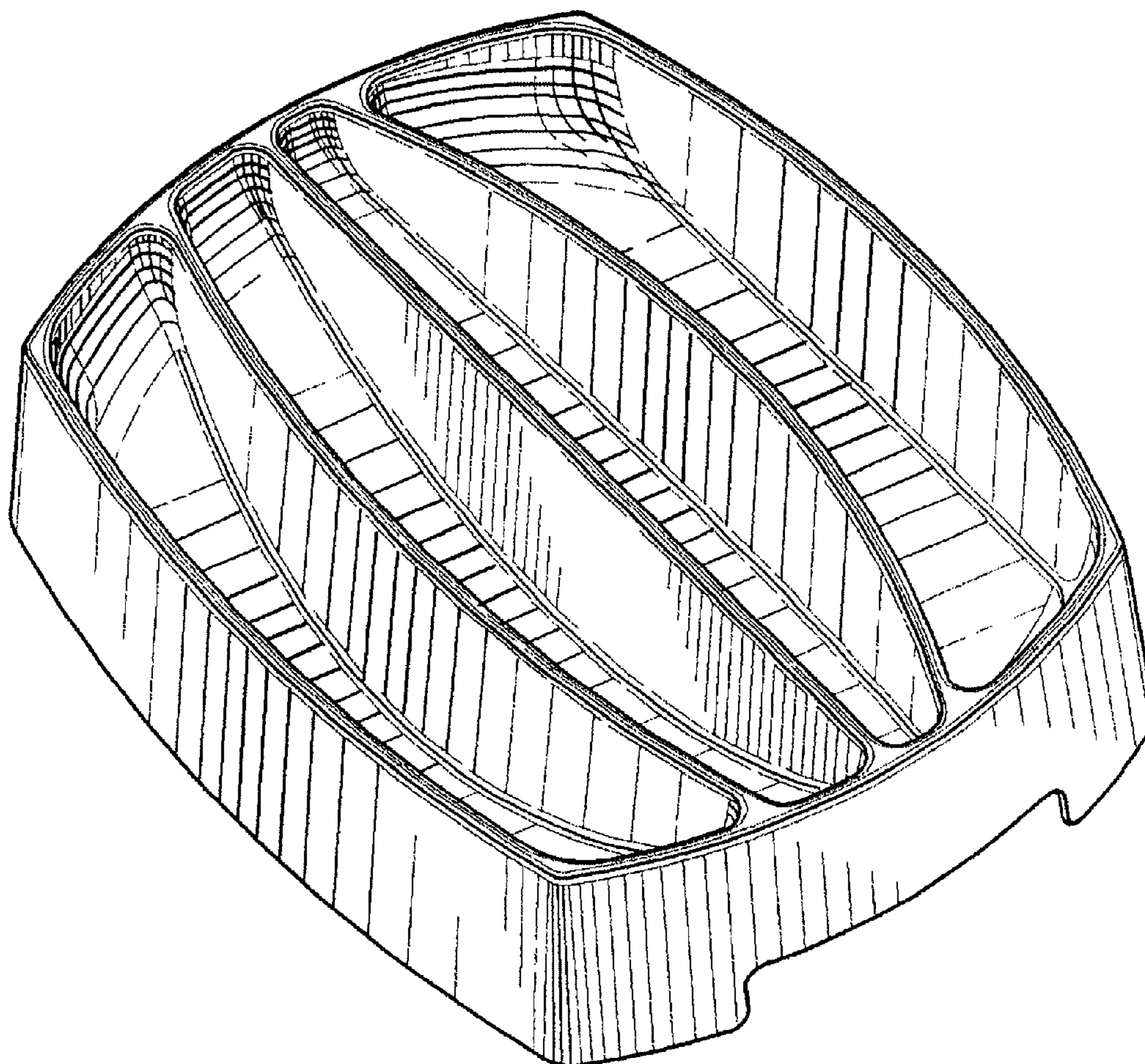
FIG. 1 is a perspective view of the pot lid holder;  
FIG. 2 is a bottom perspective of the pot lid holder;  
FIG. 3 is a corresponding front view;  
FIG. 4 is a corresponding top view;  
FIG. 5 is a corresponding left side view;  
FIG. 6 is a corresponding right side view;  
FIG. 7 is a corresponding bottom view;  
FIG. 8 is a corresponding rear view; and,  
FIG. 9 is a cross-section view taken along line 9—9 of FIG.  
4.

(56) **References Cited**

**U.S. PATENT DOCUMENTS**

D244,340 S \* 5/1977 Ashton ..... D7/641  
D256,419 S \* 8/1980 Hom ..... D7/641

**1 Claim, 5 Drawing Sheets**





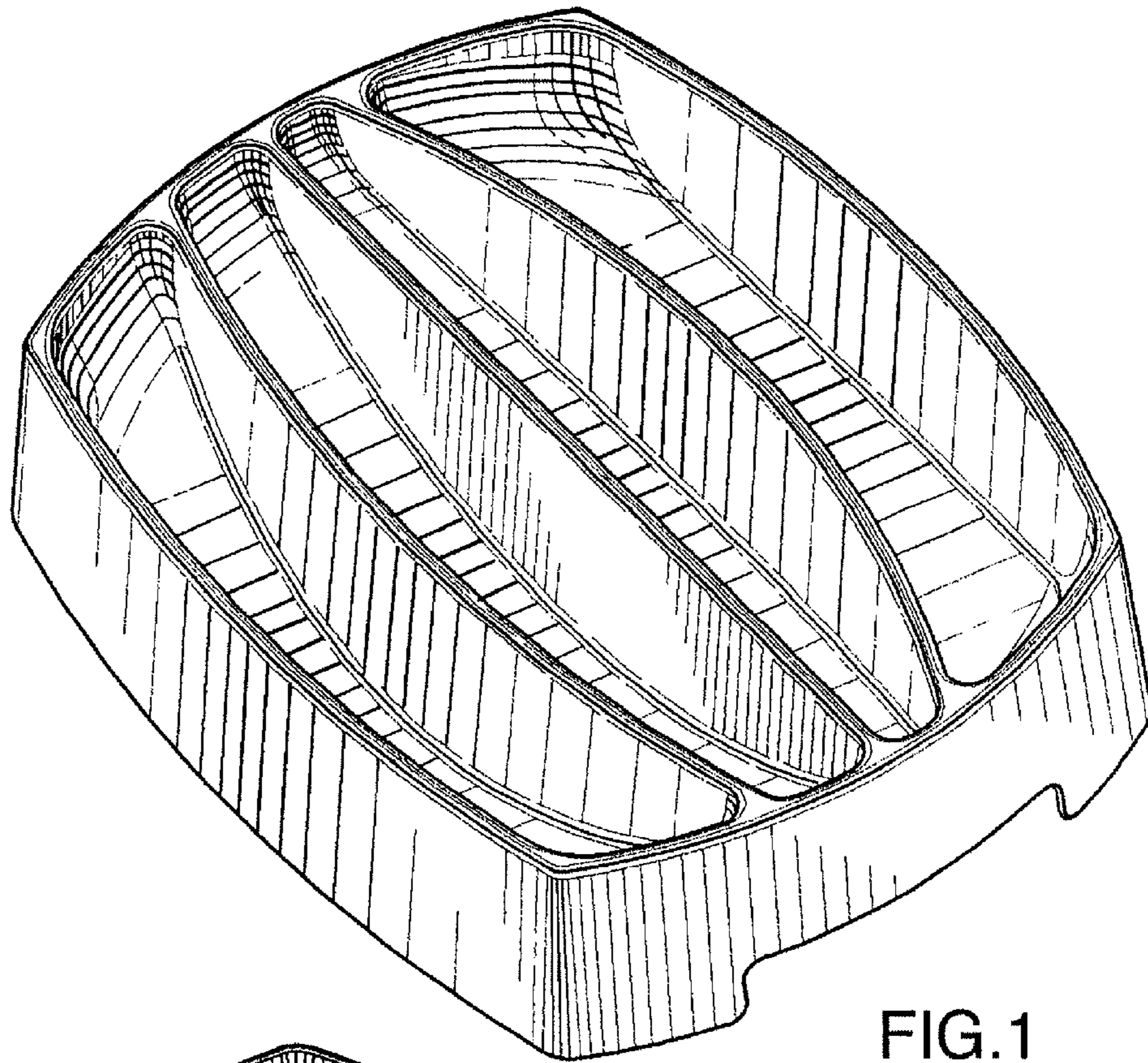


FIG. 1

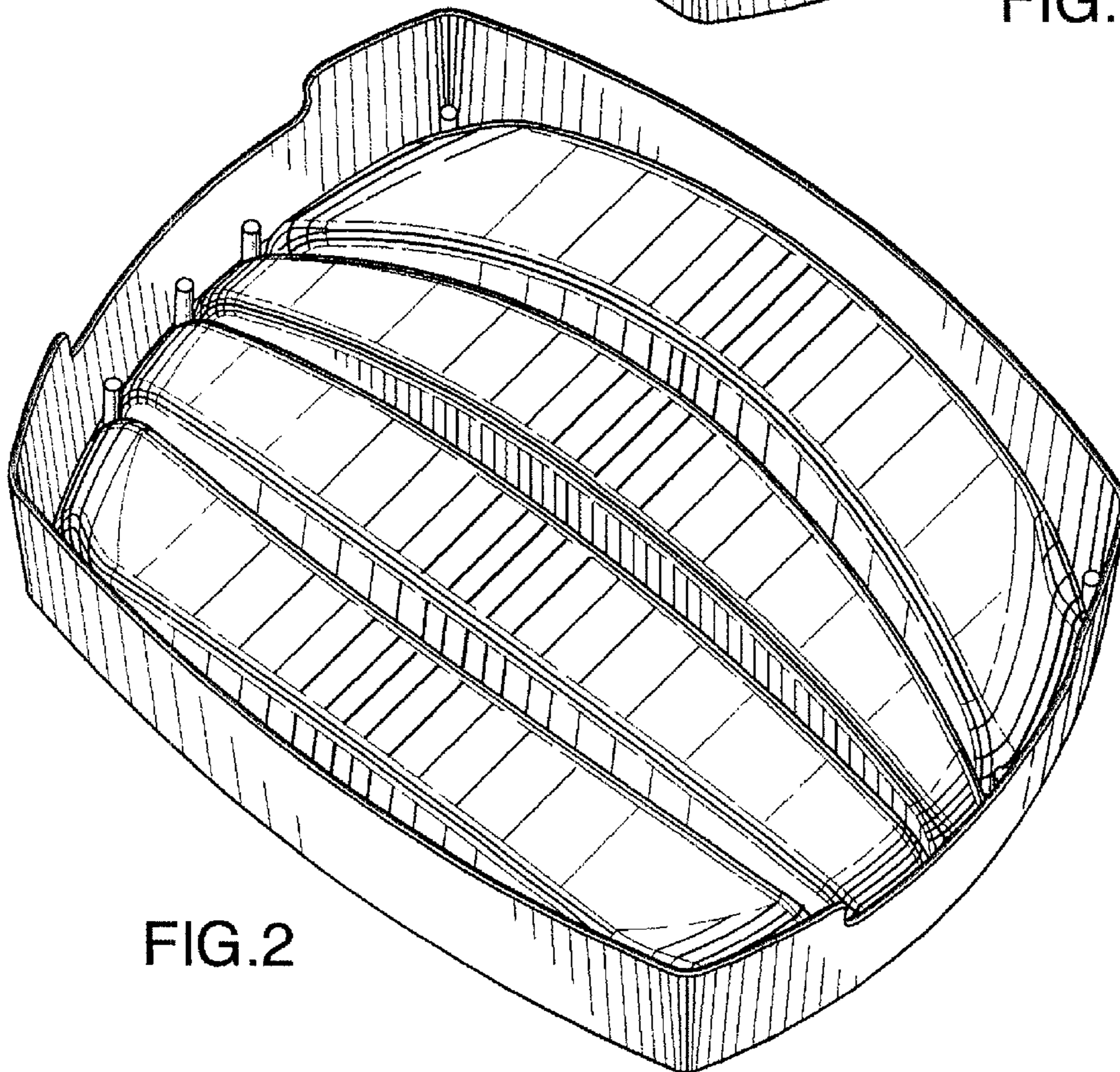


FIG. 2



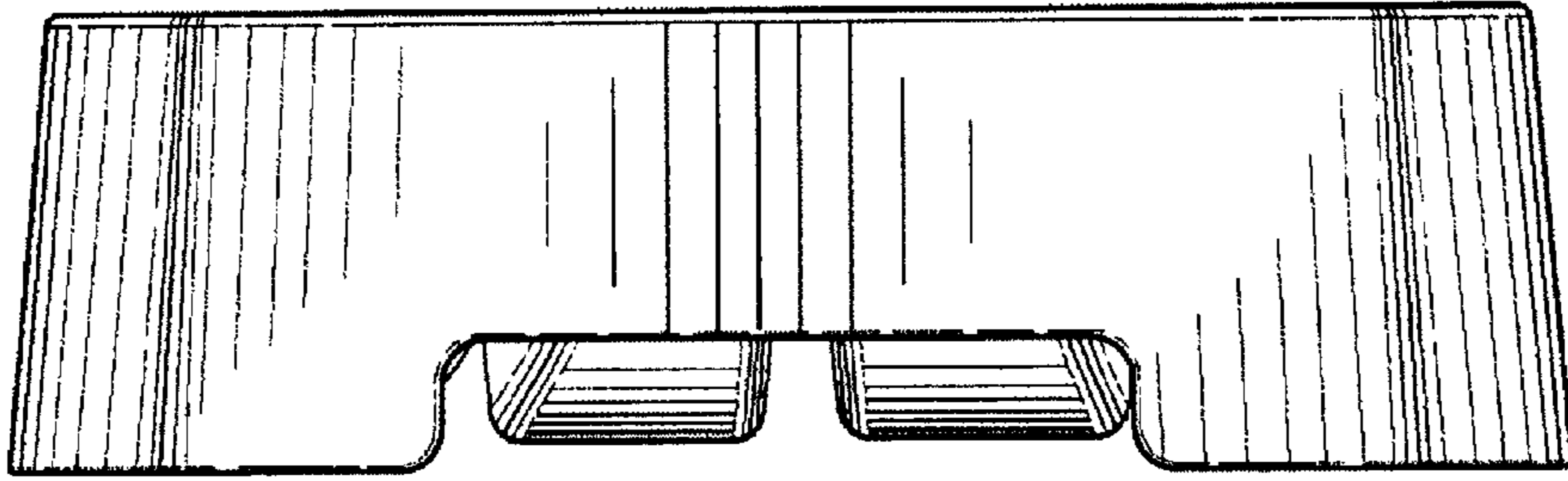


FIG.3

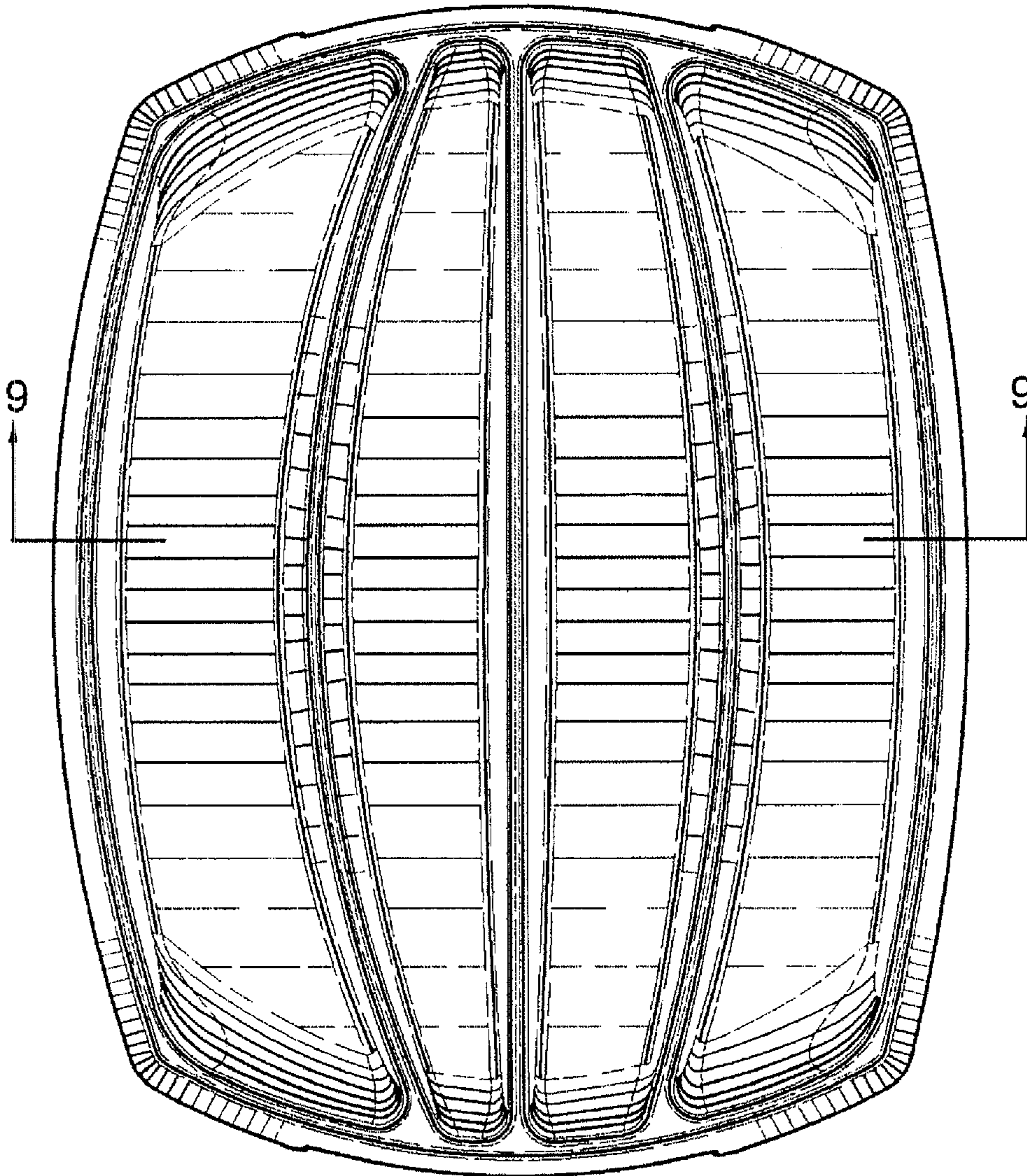


FIG.4

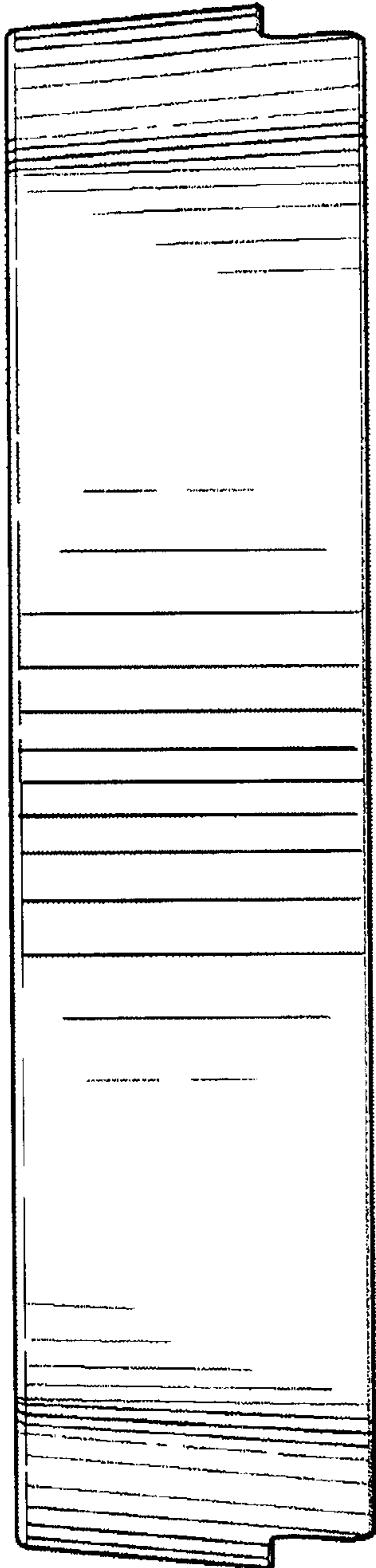


FIG. 5

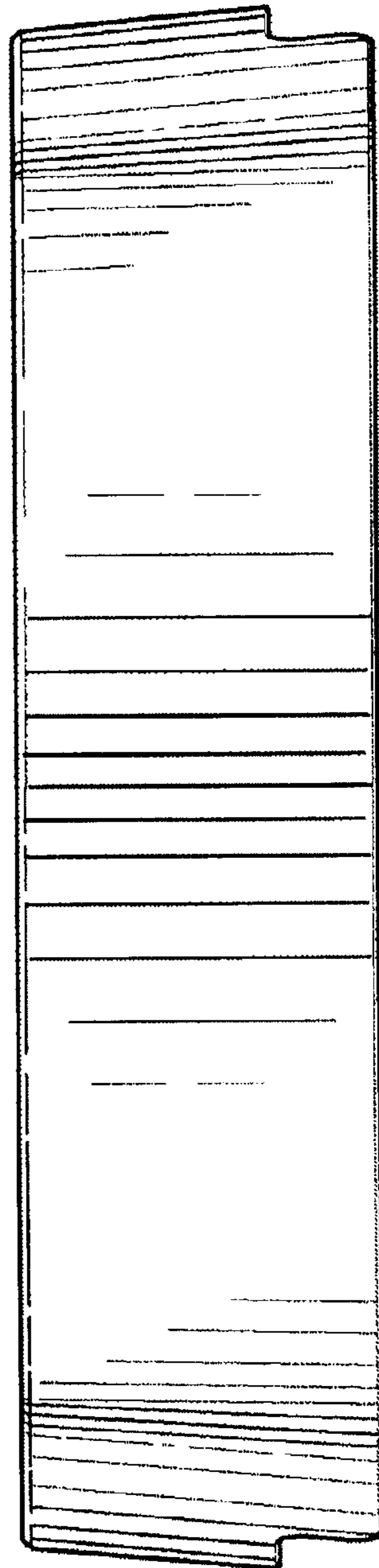


FIG. 6

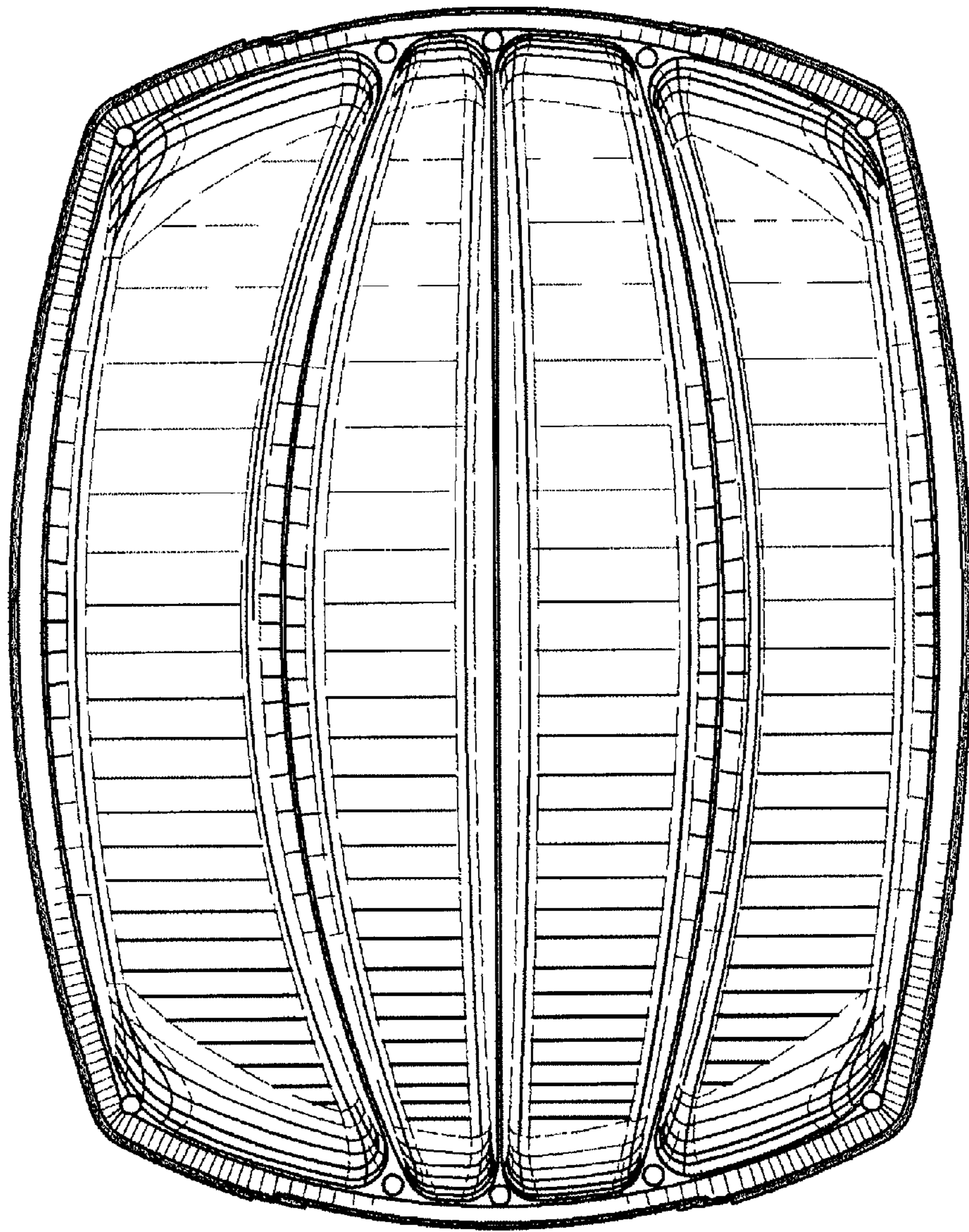


FIG. 7

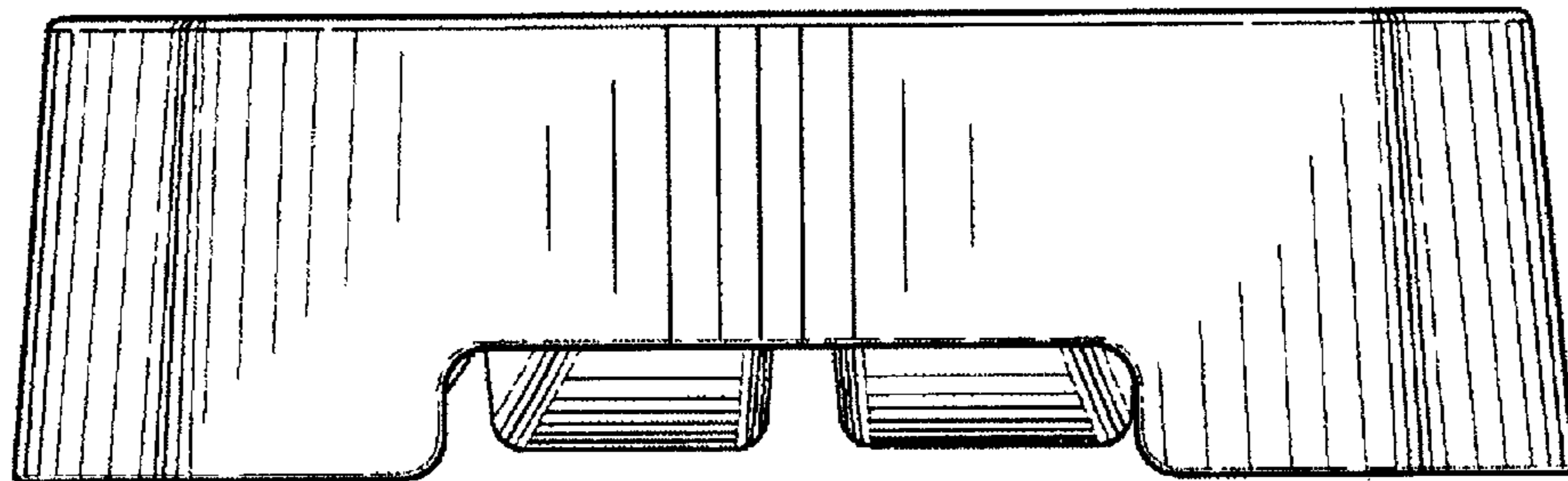


FIG. 8



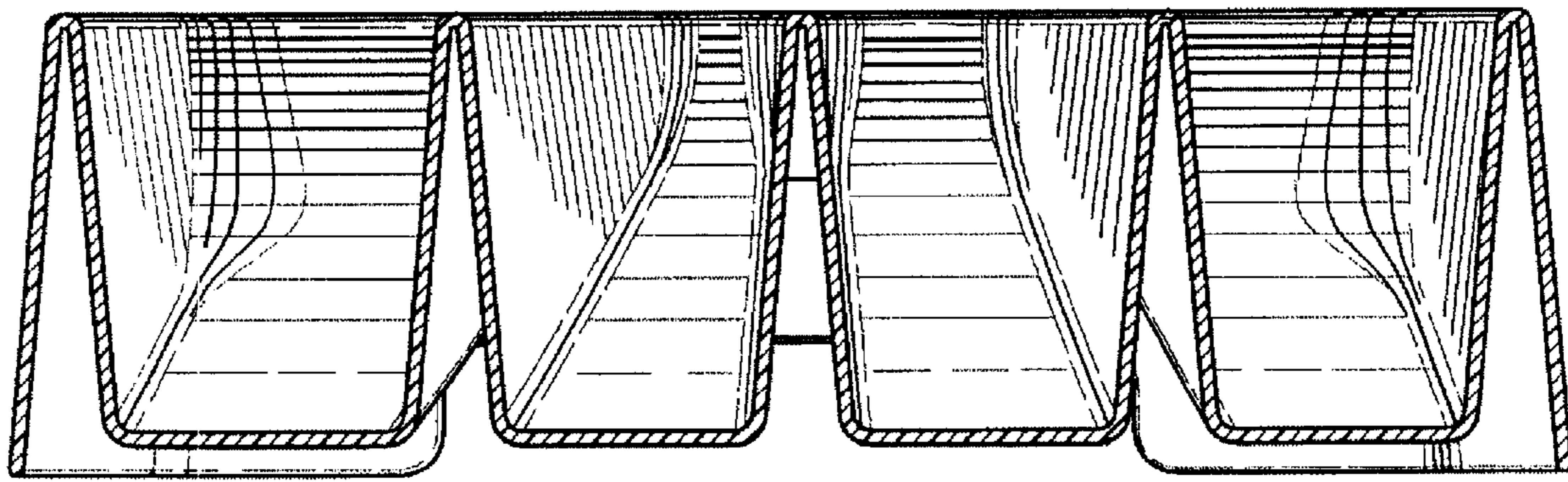


FIG.9