



US00D530566S

(12) **United States Design Patent**
Chung

(10) **Patent No.:** **US D530,566 S**

(45) **Date of Patent:** **** Oct. 24, 2006**

(54) **FOOD PROCESSOR**

(75) Inventor: **Wing Hang Frankie Chung**, Hong Kong (CN)

(73) Assignee: **Sunny Electronic Company Limited**, Hong Kong (HK)

(**) Term: **14 Years**

(21) Appl. No.: **29/224,942**

(22) Filed: **Mar. 9, 2005**

(51) **LOC (8) Cl.** **31-00**

(52) **U.S. Cl.** **D7/384**

(58) **Field of Classification Search** D7/376-386,
D7/412-414, 665; D9/339, 432; 99/331,
99/337, 348, 492, 509-511; 215/222; 241/30,
241/33, 37.5, 101.01, 101.1, 101.2, 166-169,
241/282.1, 282.2, 291, 292.1; 312/138.1,
312/293.1, 293.2, 293.3, 326, 327; 366/64-67,
366/98-100, 129, 130, 146, 192, 197-201,
366/205-207, 214, 219-221, 241-254, 279-282,
366/318, 325.3, 325.92, 325.93, 325.94,
366/327.2, 328.2, 329.1, 330.1, 330.2, 330.3,
366/330.4, 330.5, 341-343, 347
See application file for complete search history.

(56) **References Cited**

U.S. PATENT DOCUMENTS

4,095,751 A * 6/1978 Artin 241/37.5
D259,992 S * 7/1981 Kahlcke D7/412
4,691,870 A * 9/1987 Fukunaga et al. 241/36
D325,322 S * 4/1992 Maass D7/384

D335,065 S * 4/1993 Gildersleeve D7/384
D421,363 S * 3/2000 Crescenzi et al. D7/384
D434,271 S * 11/2000 Naft et al. D7/384
D457,380 S * 5/2002 Mauch D7/384
D466,363 S * 12/2002 Dalton et al. D7/384
D488,344 S * 4/2004 Seum et al. D7/384
6,814,323 B1 * 11/2004 Starr et al. 241/282.2
D502,047 S * 2/2005 Ledingham et al. D7/384
2003/0226923 A1 * 12/2003 Starr et al. 241/282.1

* cited by examiner

Primary Examiner—Cathron C. Brooks

Assistant Examiner—Ricky Pham

(57) **CLAIM**

The ornamental design for a food processor, as shown and described.

DESCRIPTION

The claimed food processor is used for preparing foods, as by shredding, slicing, chopping, or blending.

FIG. 1 is a front elevational view of a food processor showing my new design;

FIG. 2 is a rear elevational view thereof;

FIG. 3 is a left side view thereof;

FIG. 4 is a right side view thereof;

FIG. 5 is a top plan view thereof;

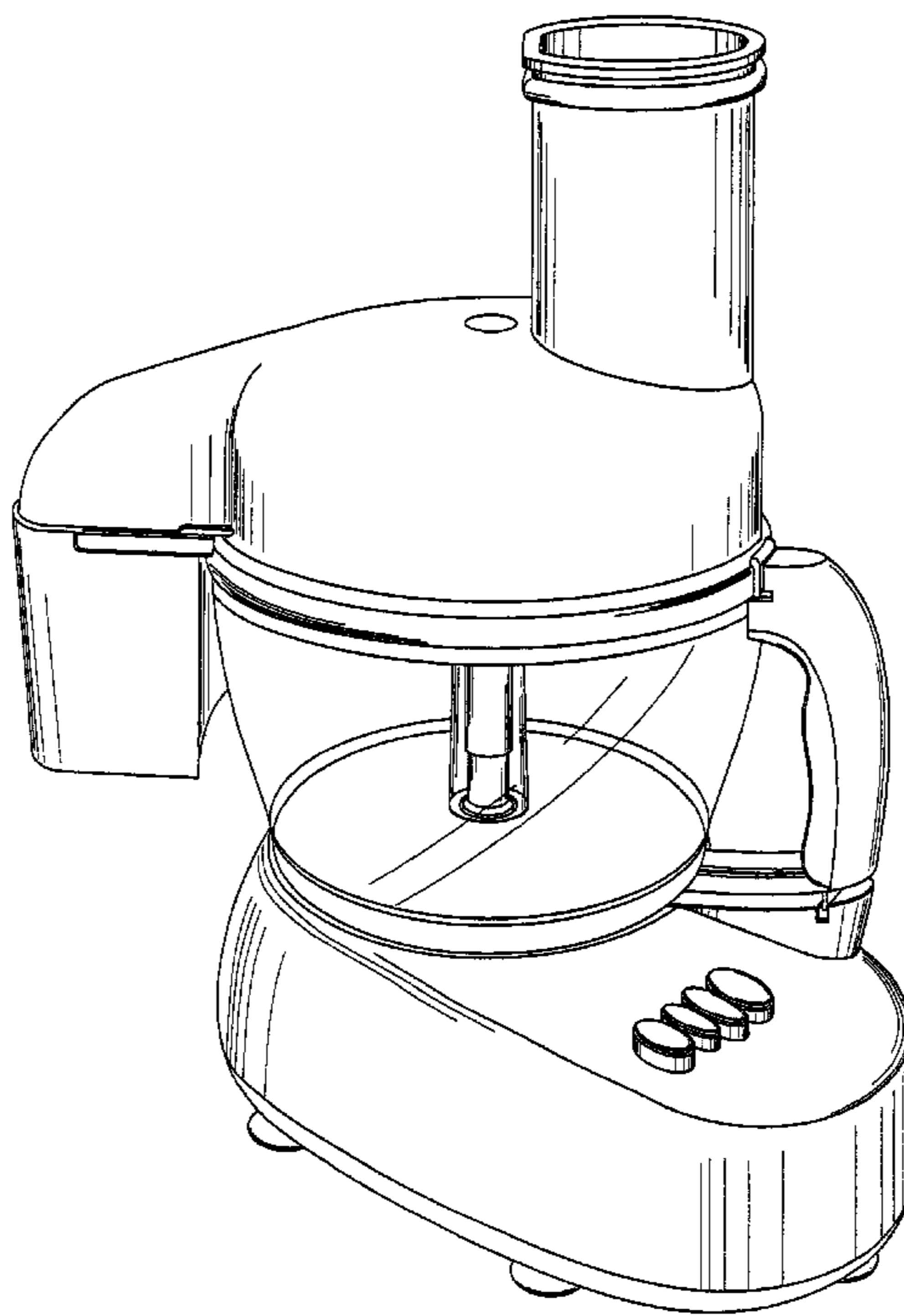
FIG. 6 is a bottom plan view thereof;

FIG. 7 is a perspective view thereof;

FIG. 8 is a perspective view thereof; with the cover shown in a removed position; and,

FIG. 9 is an exploded view thereof.

1 Claim, 8 Drawing Sheets



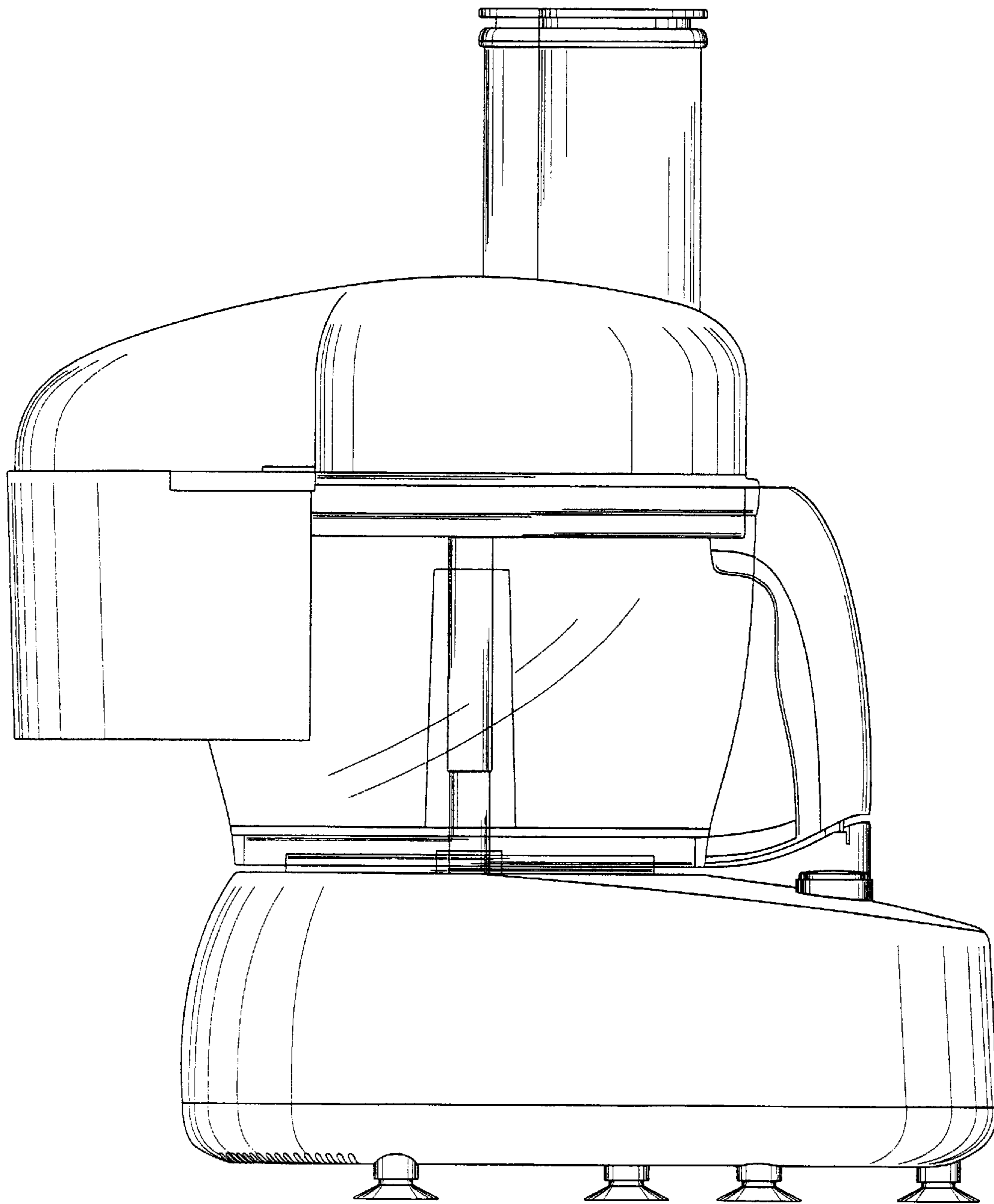


FIG. 1

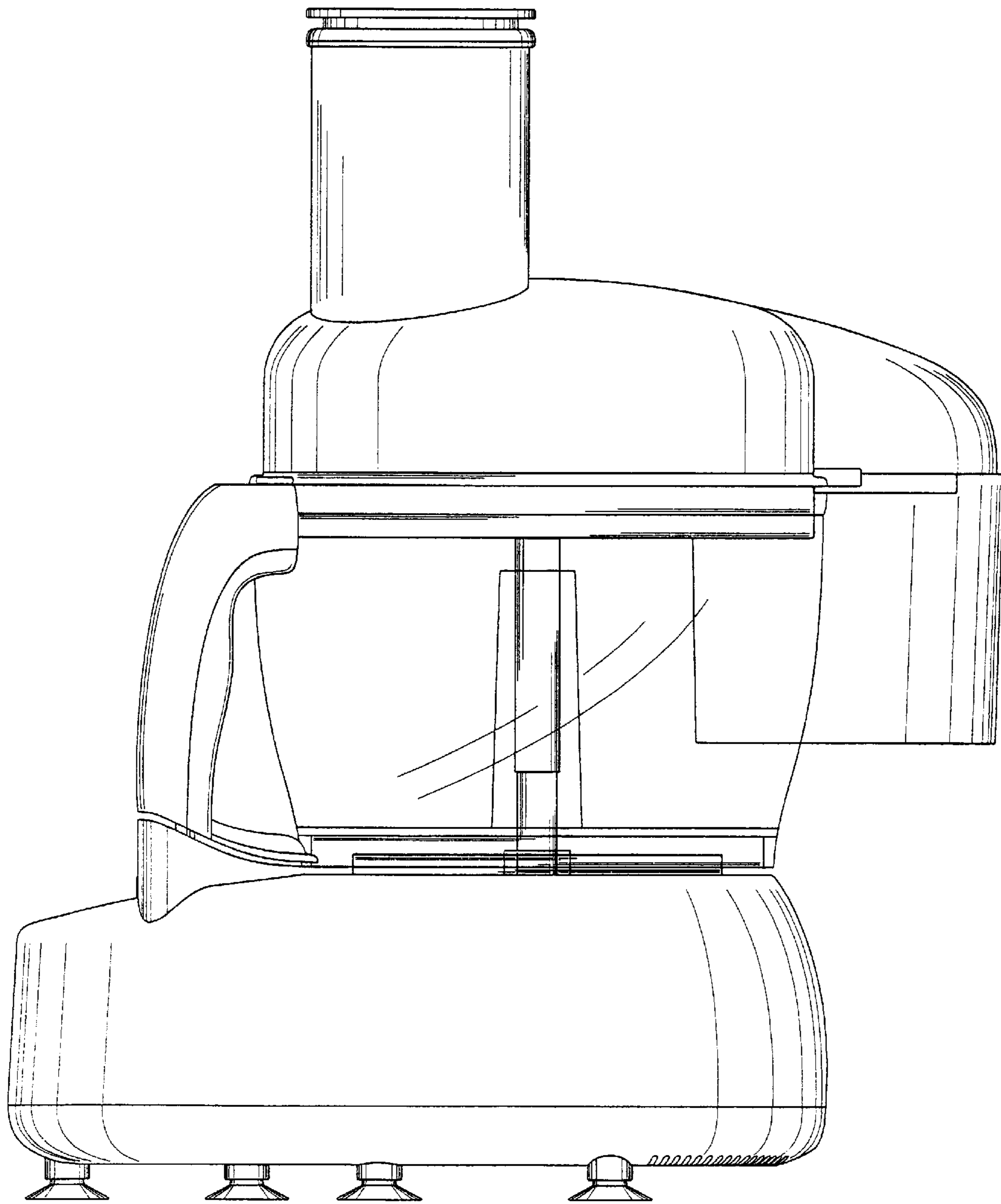


FIG. 2

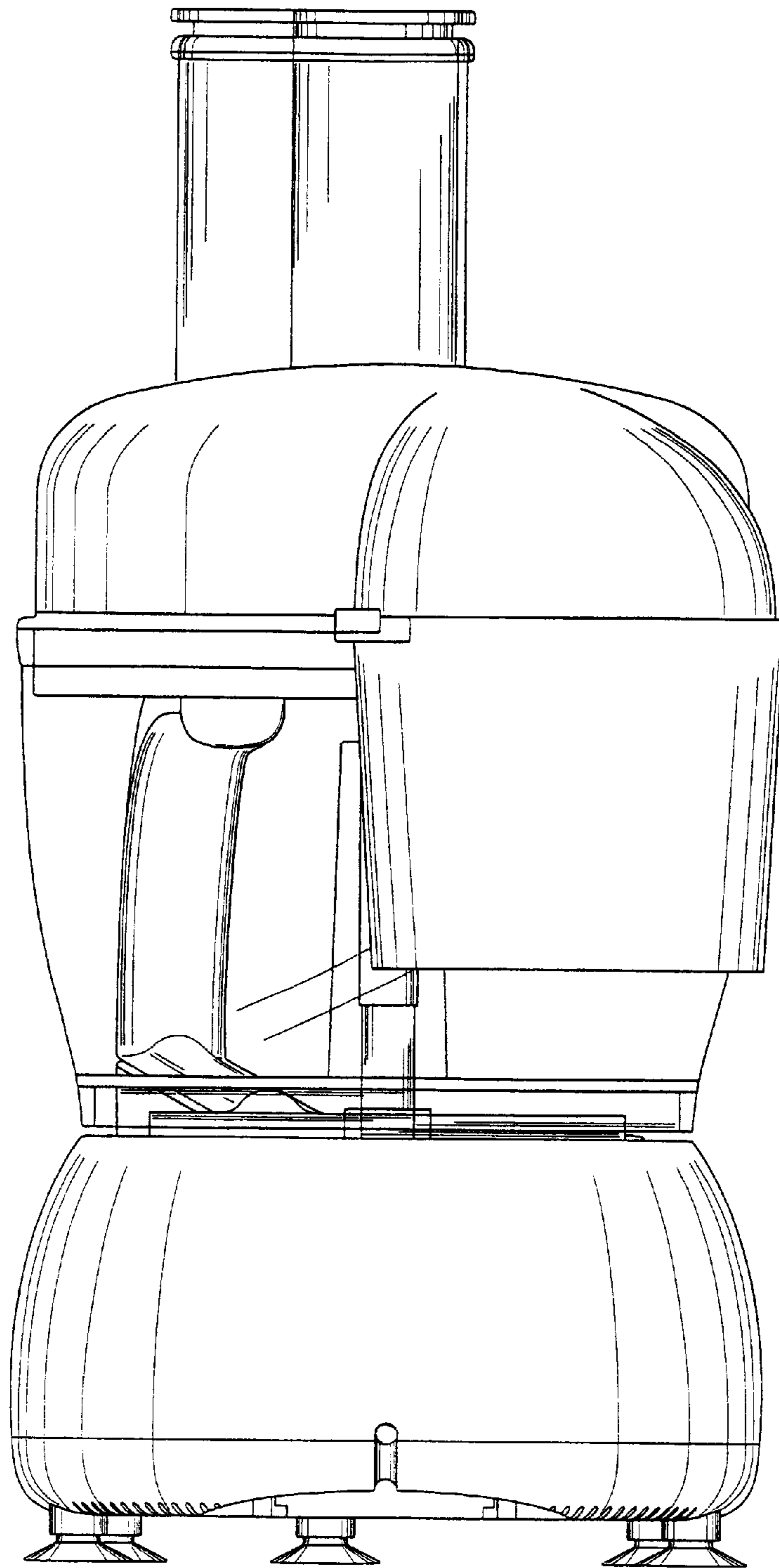


FIG. 3

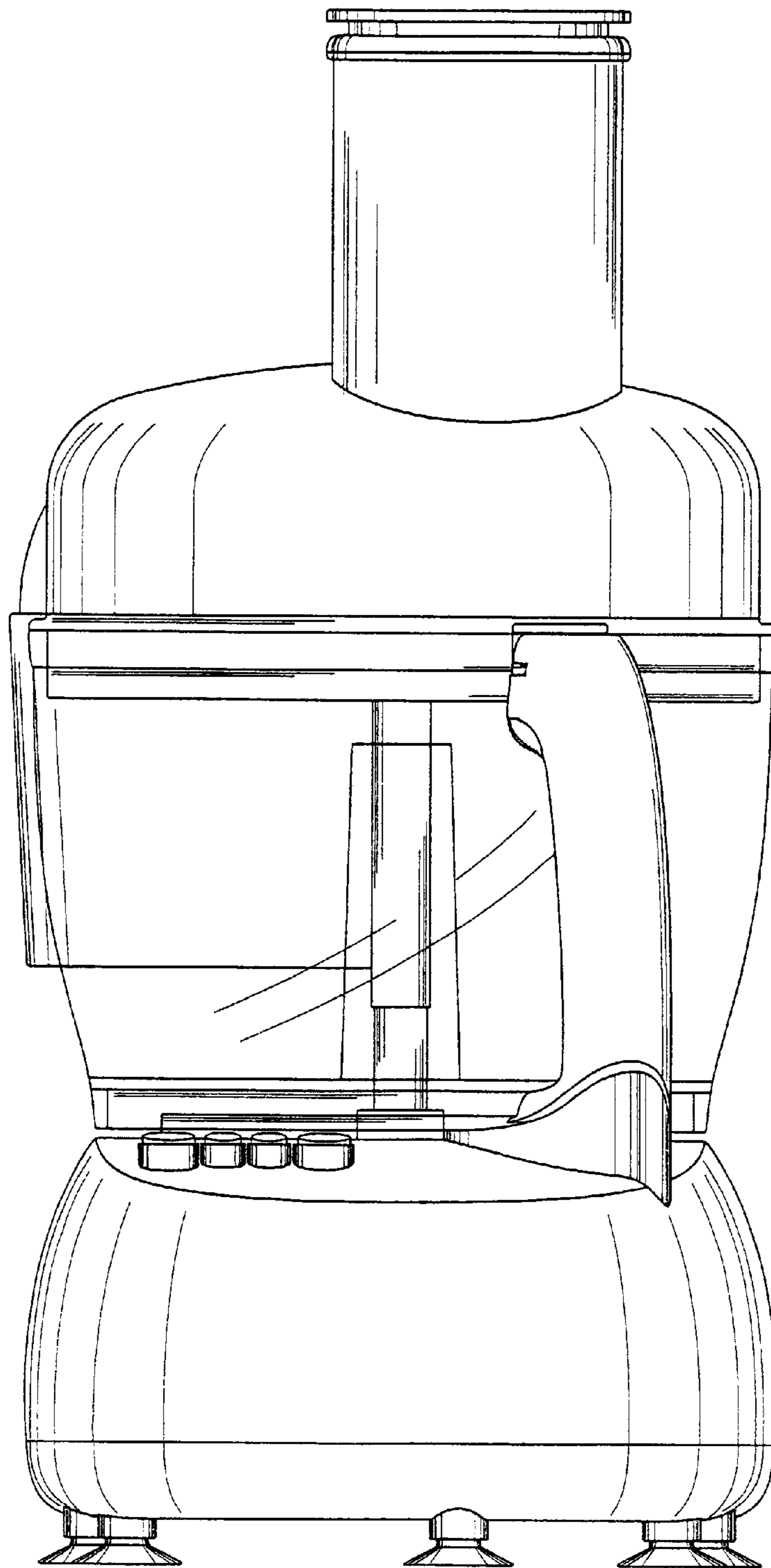


FIG. 4

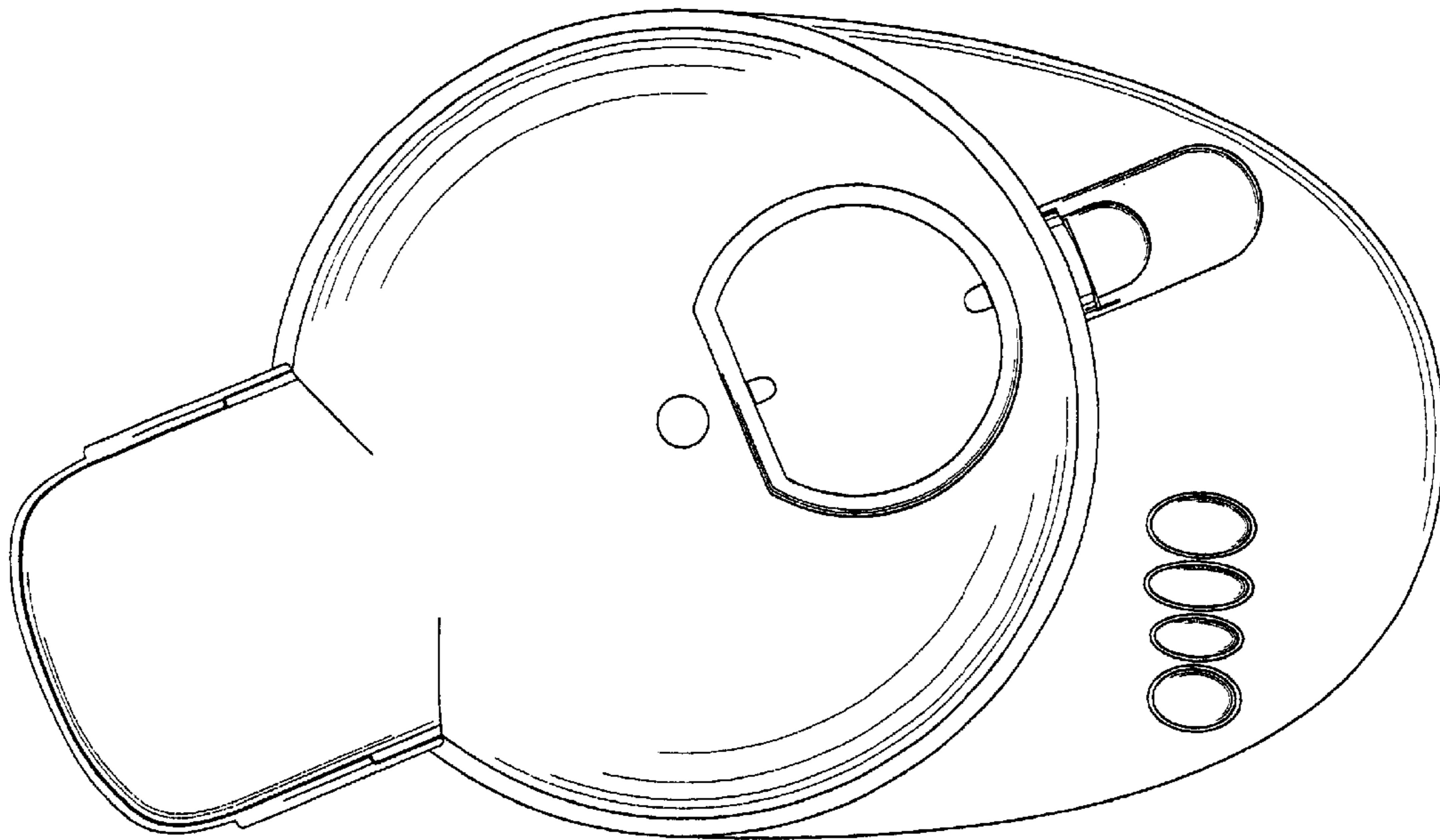


FIG. 5

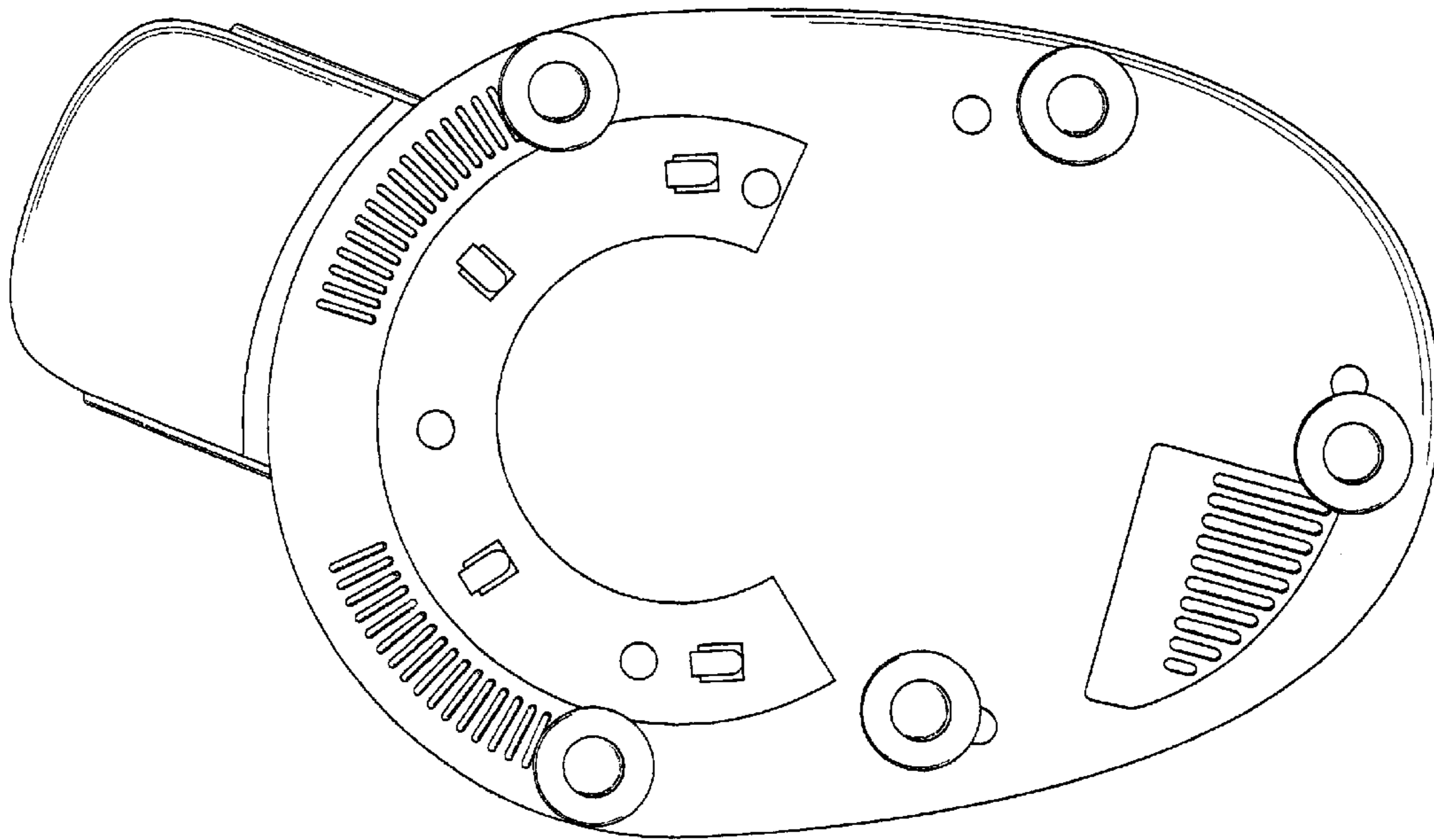


FIG. 6

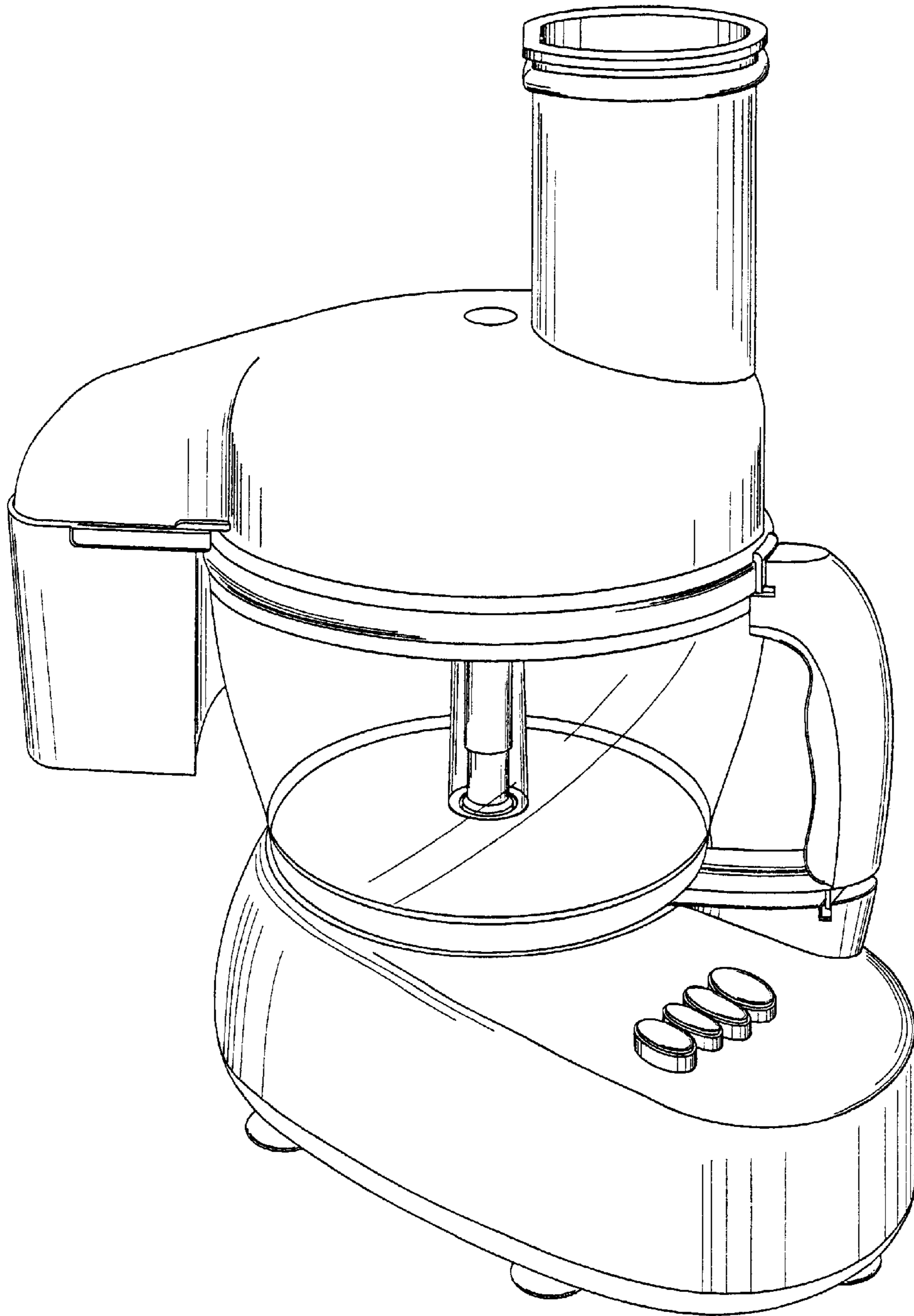


FIG. 7

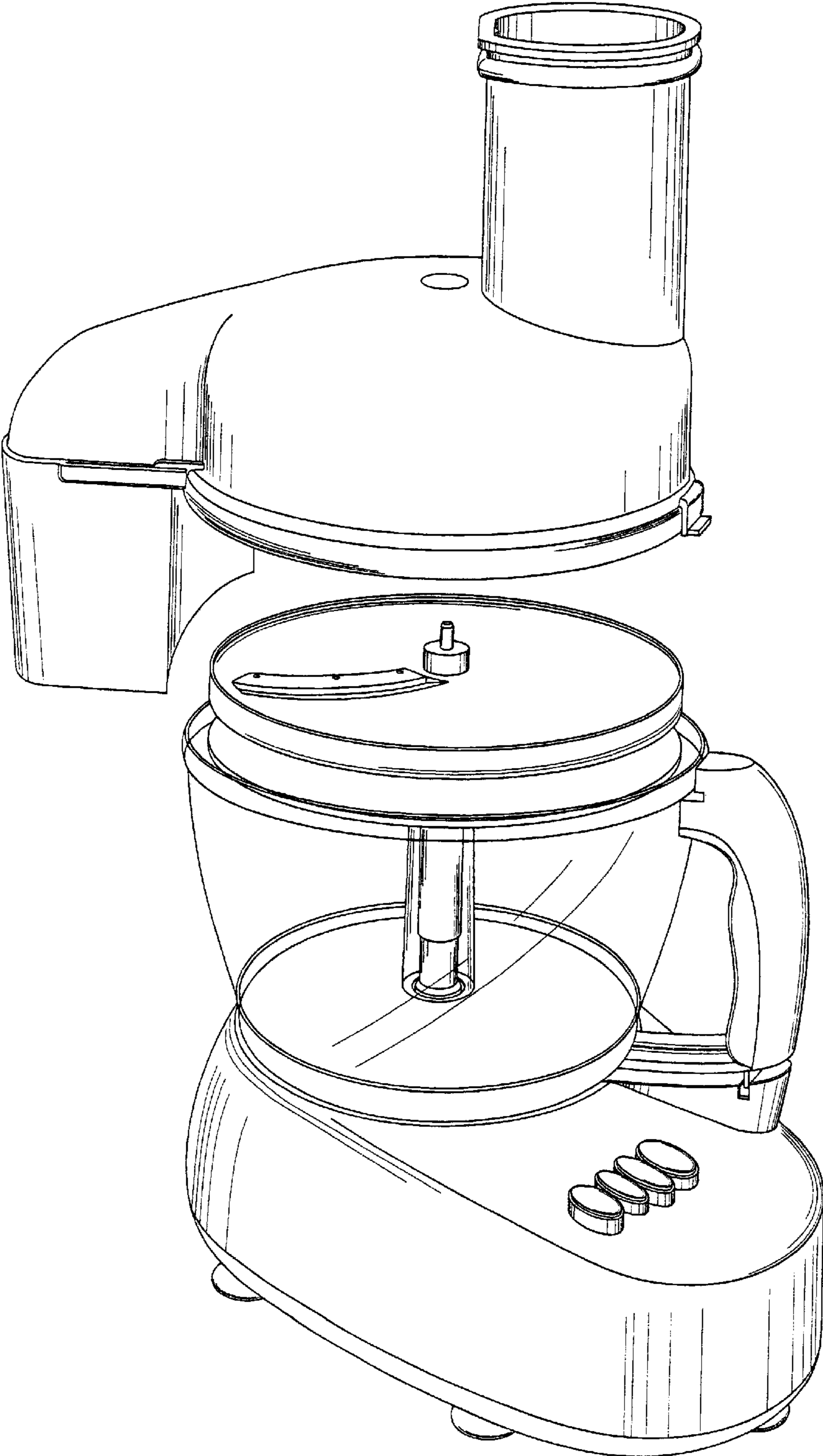


FIG. 8

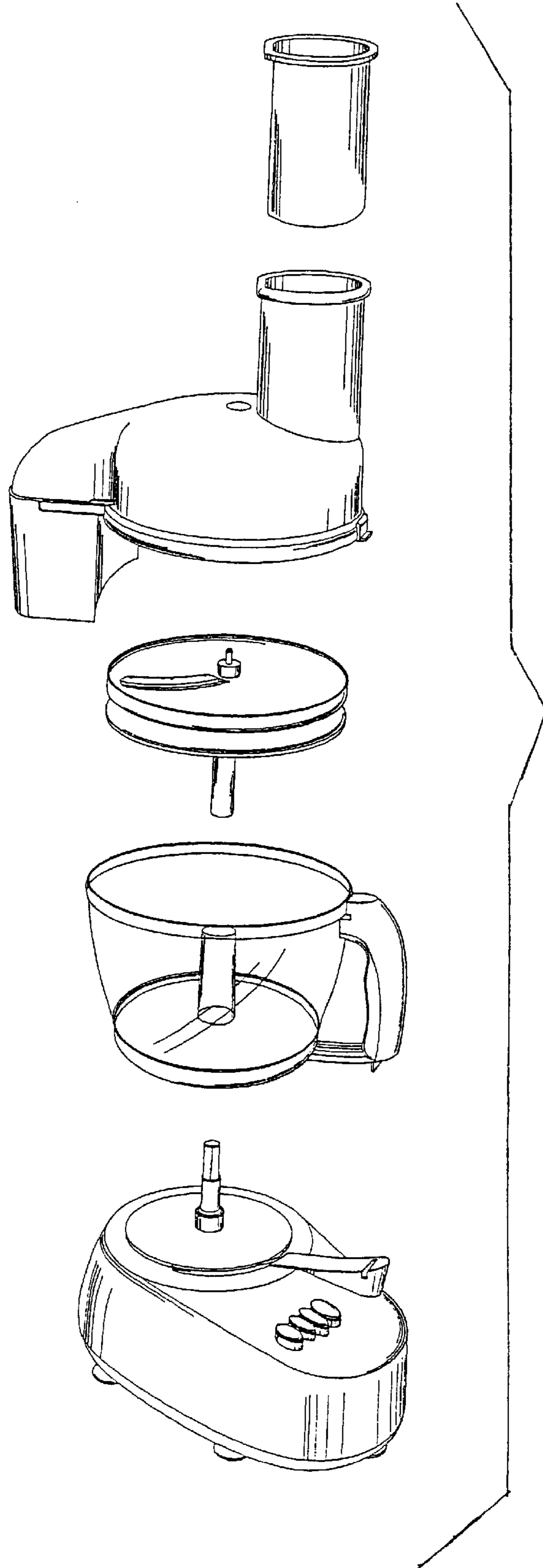


FIG. 9